



US00D988979S

(12) **United States Design Patent**
Tokunaga et al.

(10) **Patent No.:** **US D988,979 S**

(45) **Date of Patent:** **** Jun. 13, 2023**

(54) **AUTOMOBILE TIRE**

(71) Applicant: **THE YOKOHAMA RUBBER CO., LTD.**, Tokyo (JP)

(72) Inventors: **Reika Tokunaga**, Hiratsuka (JP);
Kotaro Iwabuchi, Tokyo (JP)

(73) Assignee: **THE YOKOHAMA RUBBER CO., LTD.**, Tokyo (JP)

(**) Term: **15 Years**

(21) Appl. No.: **29/795,056**

(22) Filed: **Jun. 16, 2021**

(30) **Foreign Application Priority Data**

Dec. 16, 2020 (JP) 2020-027119 D

(51) **LOC (14) Cl.** **12-15**

(52) **U.S. Cl.**
USPC **D12/588**

(58) **Field of Classification Search**
USPC D12/568-605, 900, 901
CPC Y10T 152/10027; B60C 1/0016; B60C 11/0306; B60C 11/0302; B60C 3/06; B60C 9/17

See application file for complete search history.

(56) **References Cited**

U.S. PATENT DOCUMENTS

D380,995 S *	7/1997	Grosskopf	D12/900
D414,725 S *	10/1999	Kemp, Jr.	D12/588
D502,444 S *	3/2005	Wage	D12/588
D605,107 S *	12/2009	Ludwig	D12/553
D613,680 S *	4/2010	Dixon	D12/900

D656,087 S *	3/2012	Yokomakura	D12/588
D731,960 S *	6/2015	Otani	D12/587
D781,223 S *	3/2017	Dixon	D12/588
D813,797 S *	3/2018	Dixon	D12/900
D853,943 S *	7/2019	Jones	D12/587
D875,656 S *	2/2020	Wang	D12/588
D940,641 S *	1/2022	Guilford	D12/588
2022/0258541 A1 *	8/2022	Tokunaga	B60C 11/0306

* cited by examiner

Primary Examiner — John A Voytek

(74) *Attorney, Agent, or Firm* — Banner & Witcoff, Ltd.

(57) **CLAIM**

The ornamental design for an automobile tire, as shown and described.

DESCRIPTION

FIG. 1 is a perspective view of an automobile tire showing our design;

FIG. 2 is a front view thereof;

FIG. 3 is a rear view thereof;

FIG. 4 is a right side view thereof;

FIG. 5 is a left side view thereof;

FIG. 6 is a top view thereof;

FIG. 7 is a bottom view thereof;

FIG. 8 is a partially enlarged view of a portion defined by lines 8-8 shown in FIG. 1;

FIG. 9 is a partially enlarged view of a portion defined by lines 9-9 shown in FIG. 2; and,

FIG. 10 is a cross sectional view of a portion defined by lines 10-10 shown in FIG. 9.

In the drawings, the broken lines depict environmental subject matter only and form no part of the claimed design.

The dot and dashed lines represents a boundary between the claimed portion and the non-claimed portion.

1 Claim, 10 Drawing Sheets

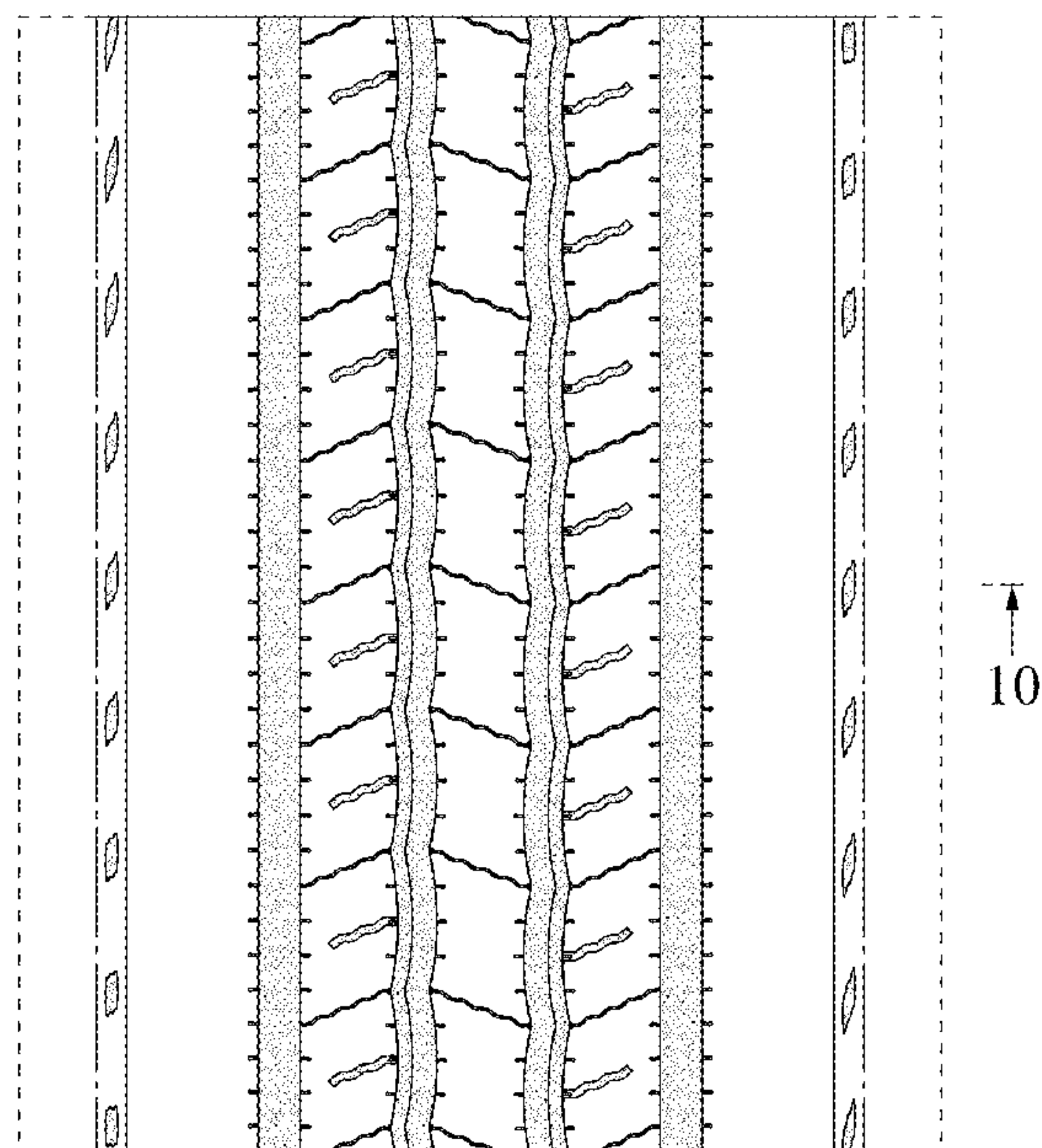
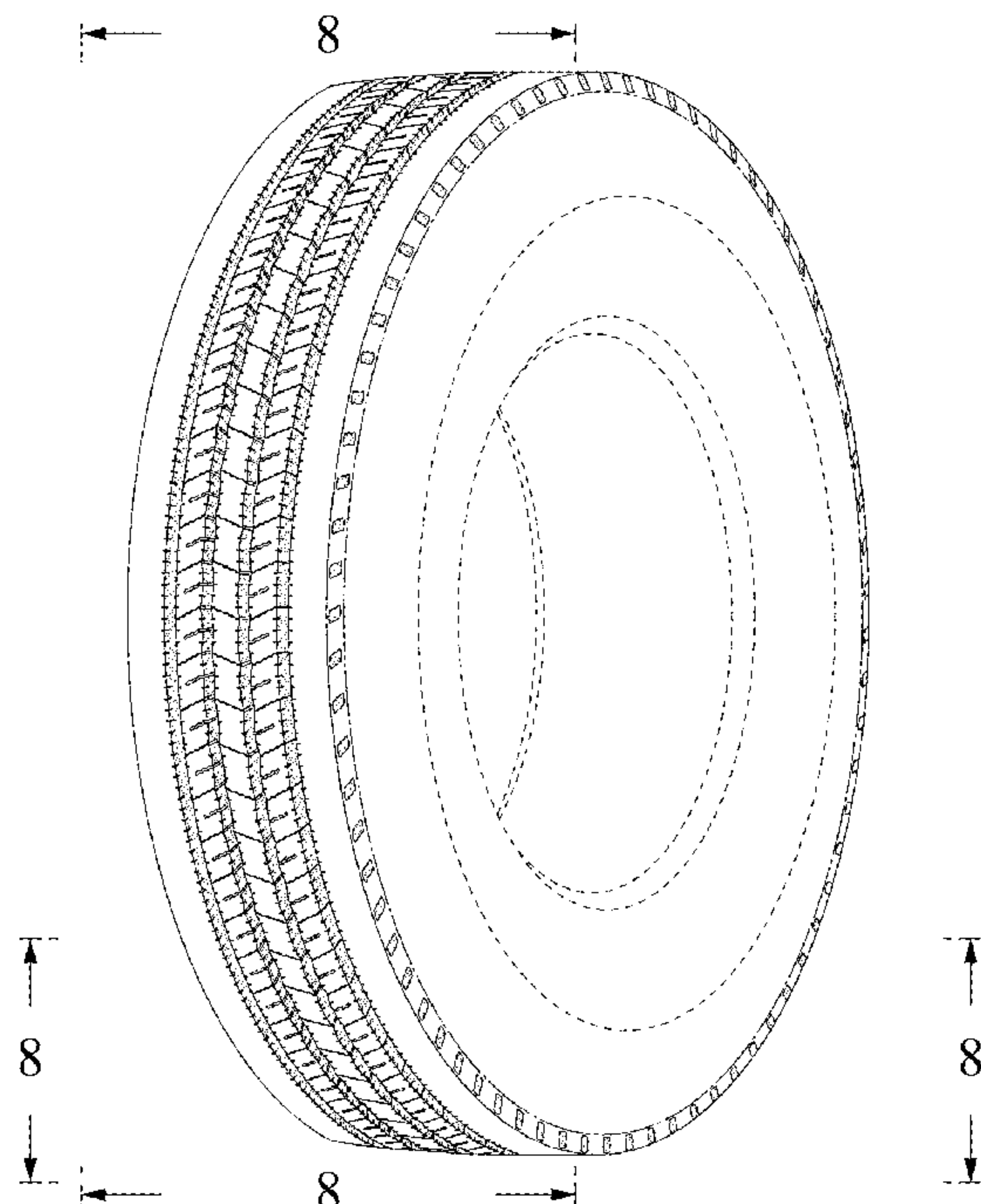


FIG. 1

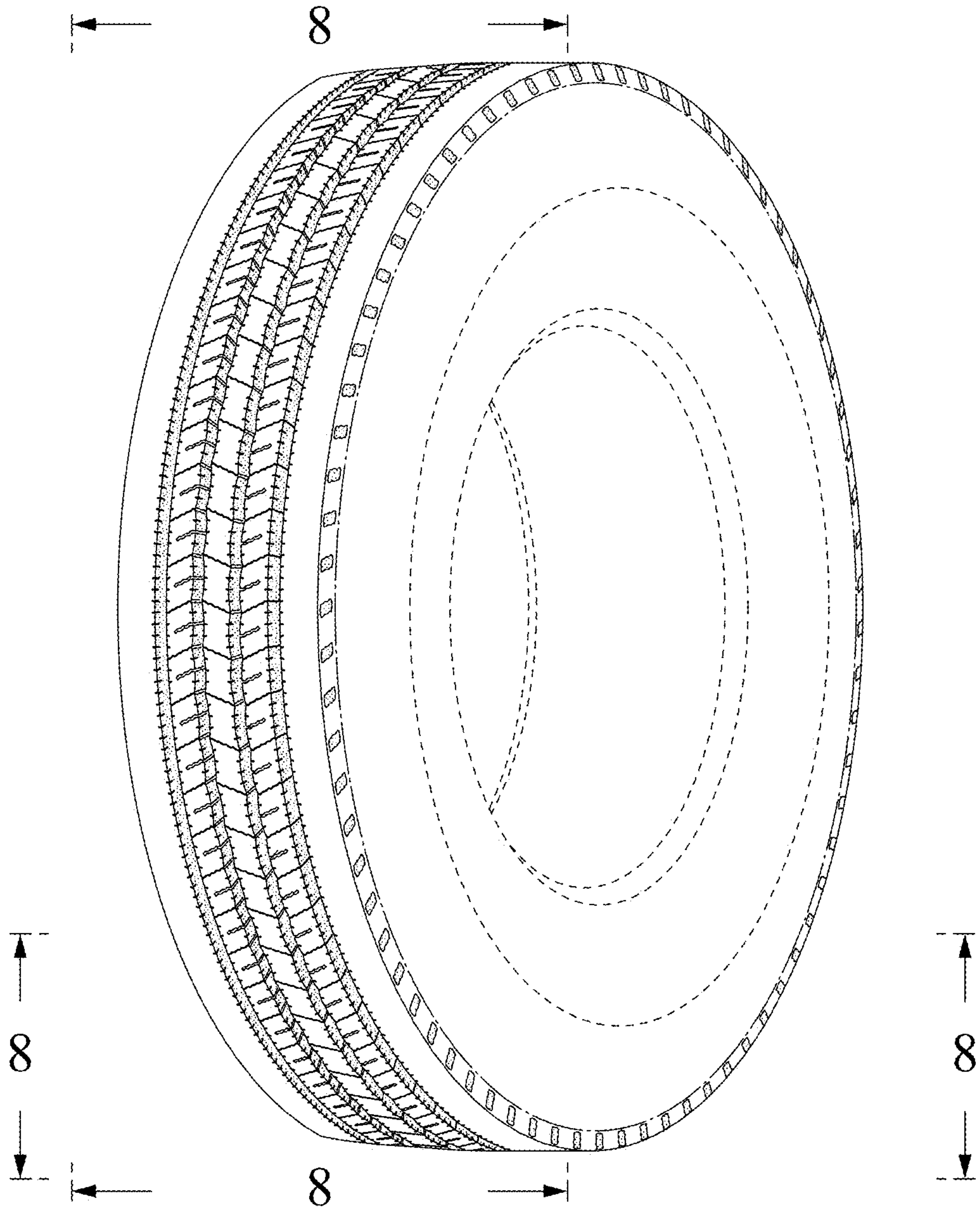


FIG. 2

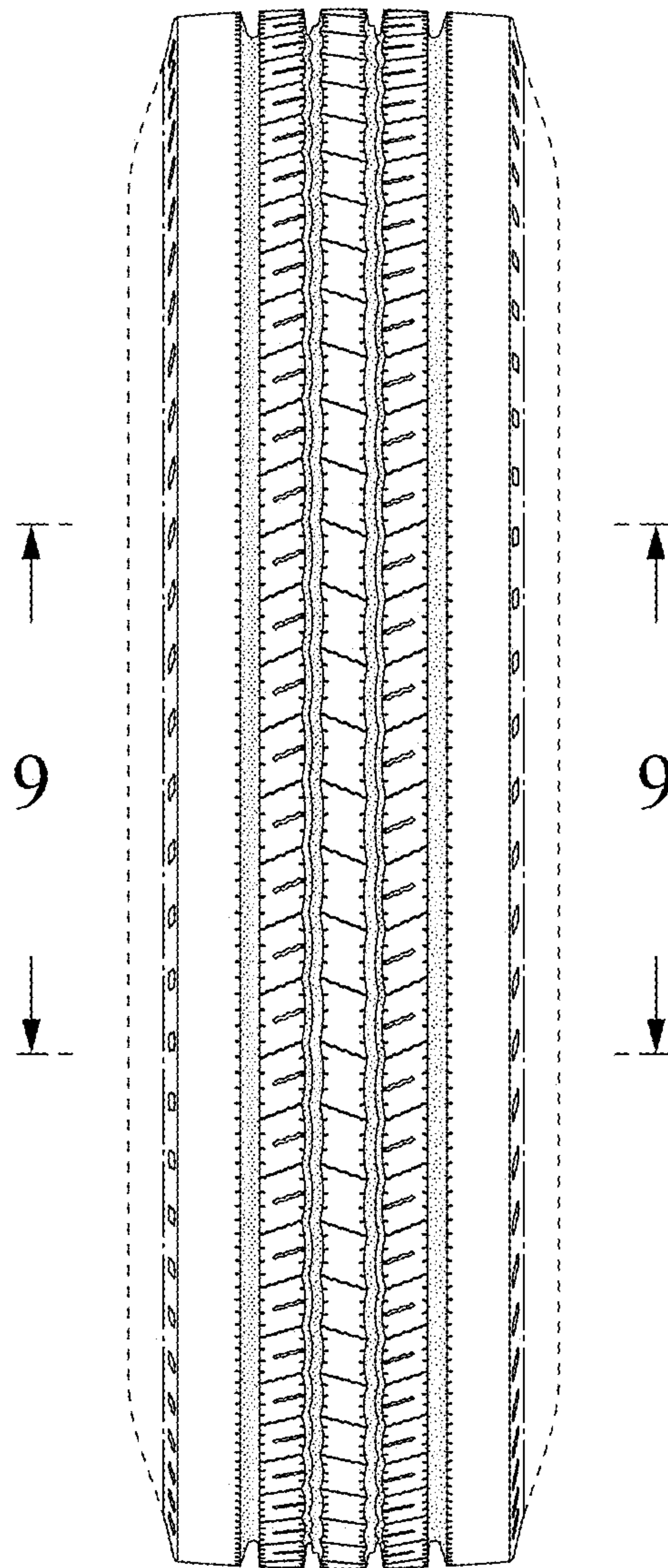


FIG. 3

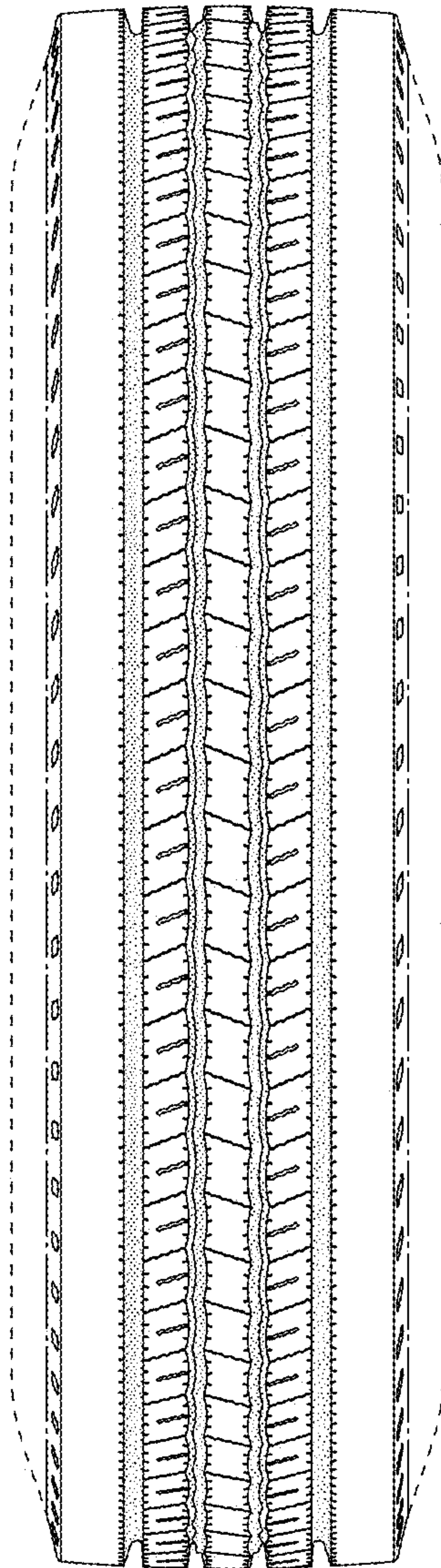


FIG. 4

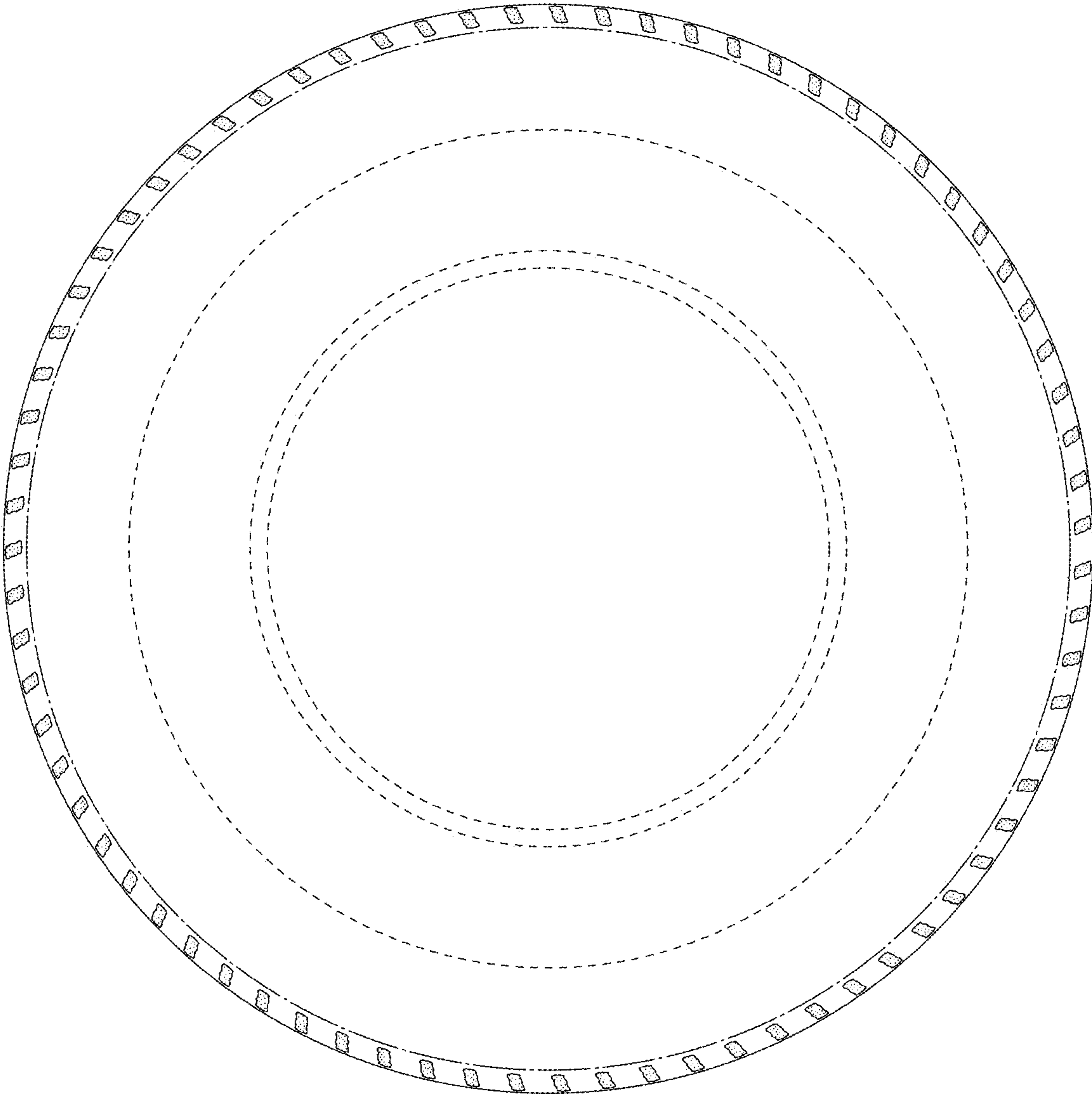


FIG. 5

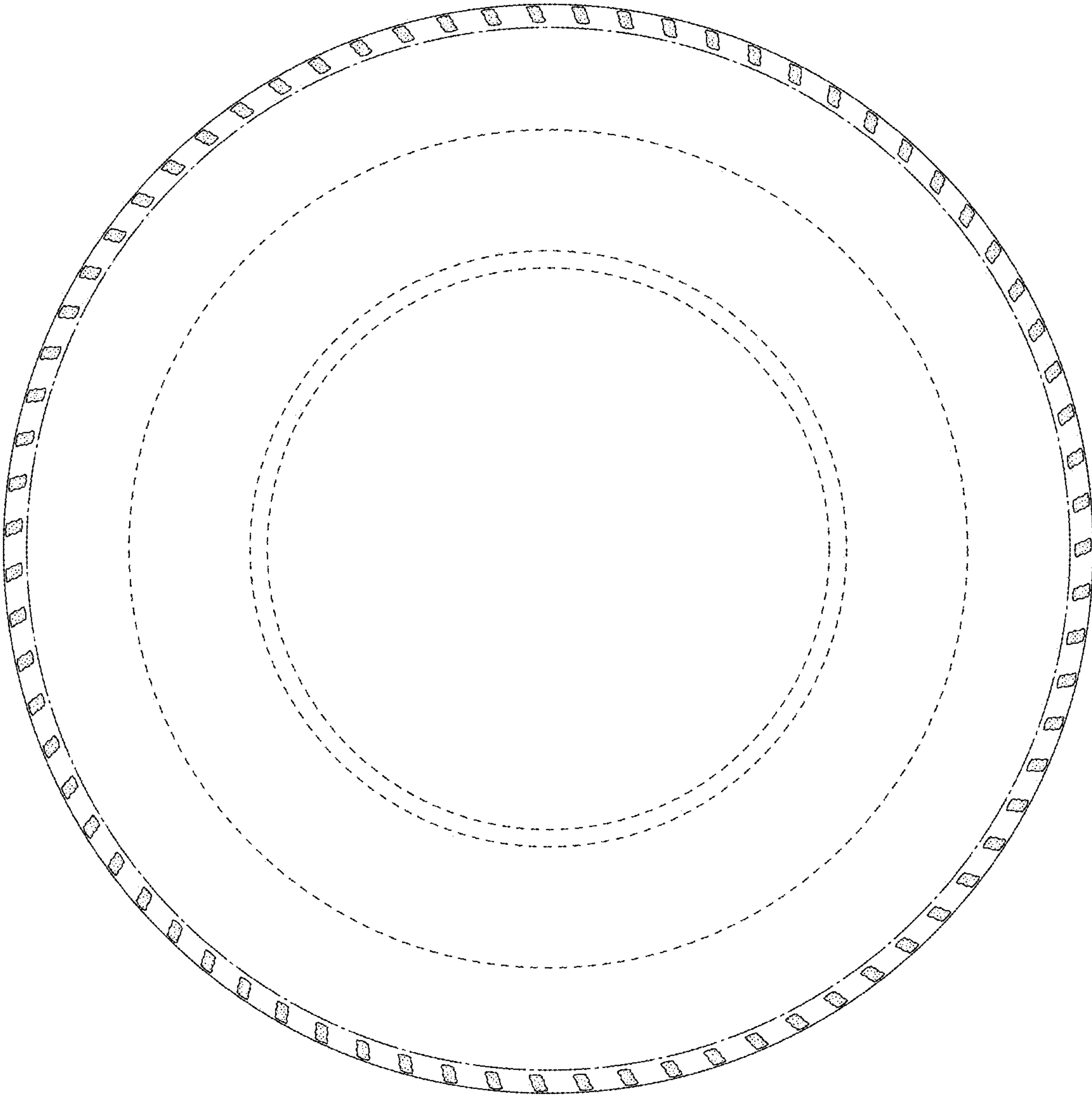


FIG. 6

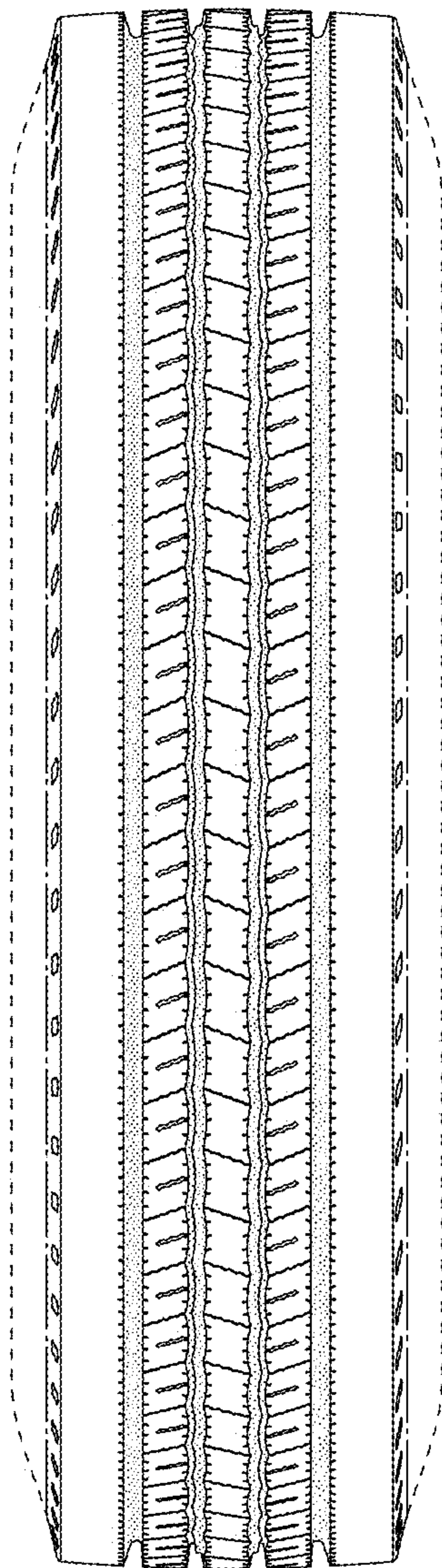


FIG. 7

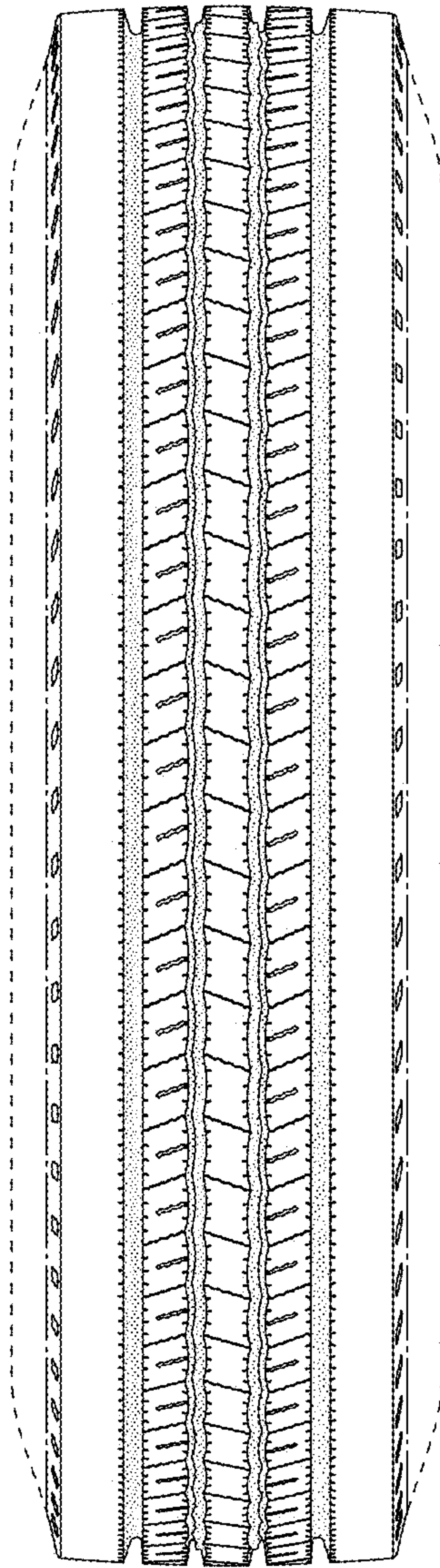


FIG. 8

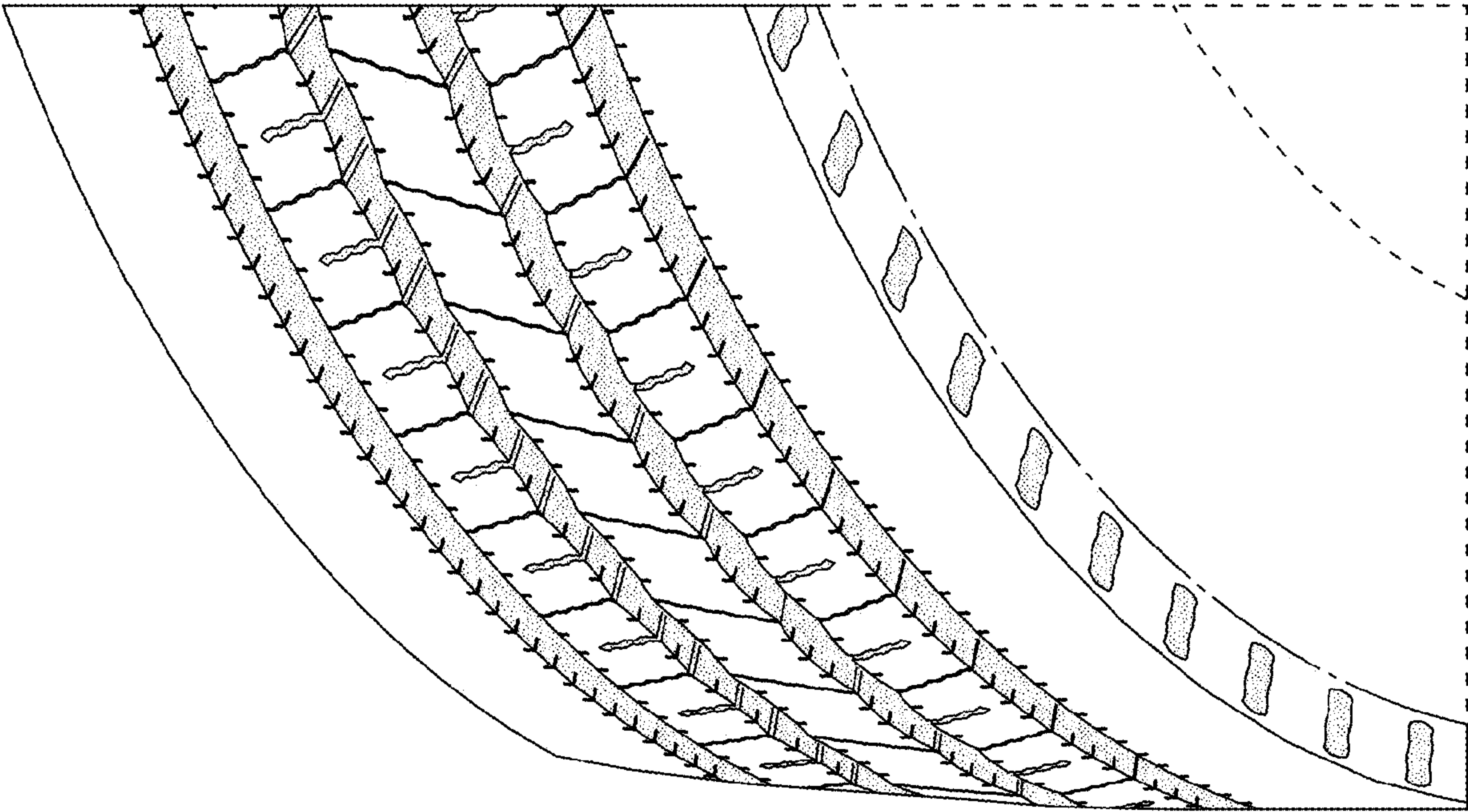


FIG. 9

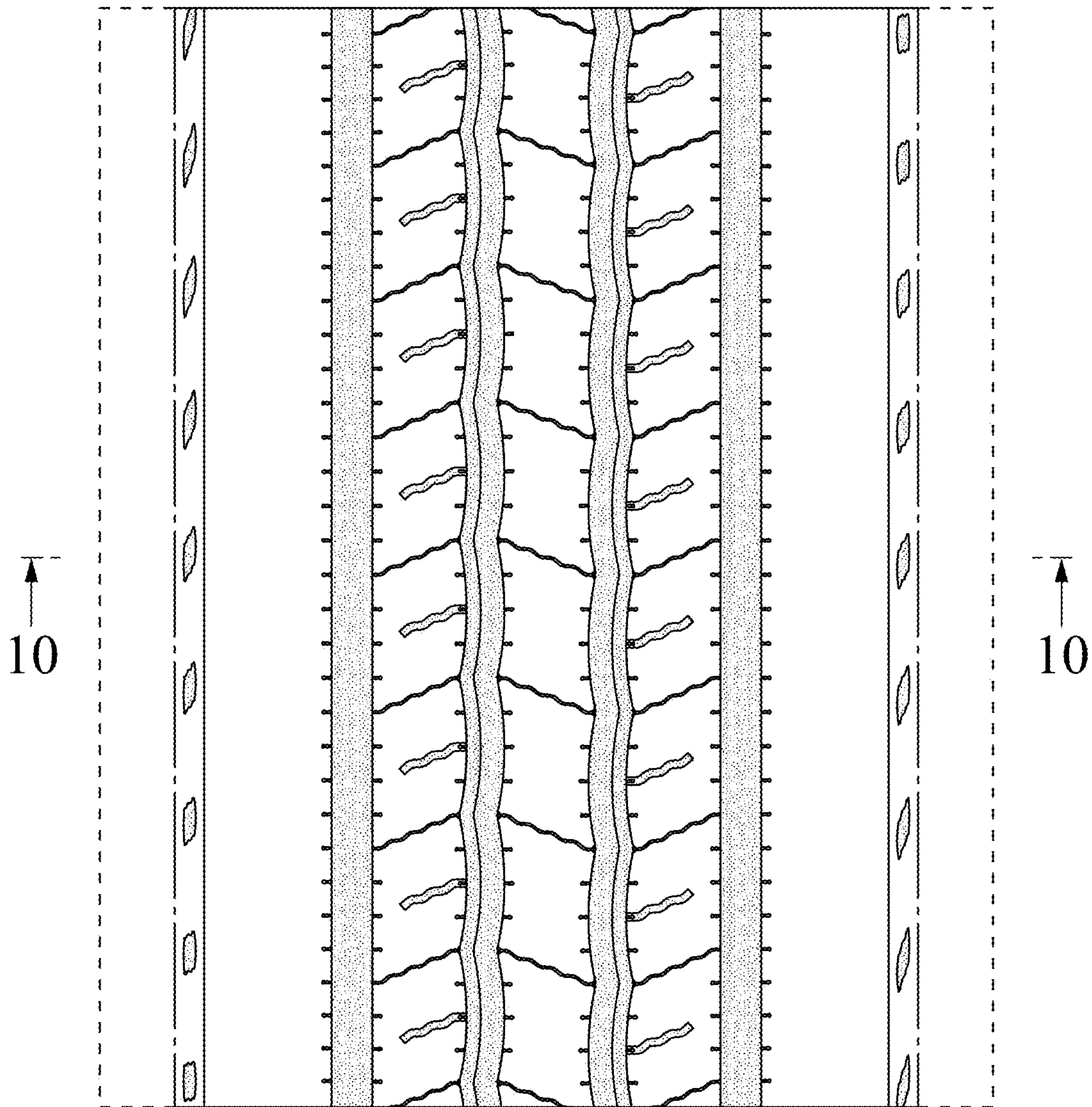


FIG. 10

