



US00D988974S

(12) **United States Design Patent**  
**Zeng**

(10) **Patent No.:** **US D988,974 S**

(45) **Date of Patent:** **\*\* Jun. 13, 2023**

(54) **ORGANIZE TRAY FOR CENTER CONSOLE**

D981,390 S \* 3/2023 Wu ..... D14/253  
D983,780 S \* 4/2023 Huang ..... D12/415

(71) Applicant: **Yanan Zeng**, Shenzhen (CN)

\* cited by examiner

(72) Inventor: **Yanan Zeng**, Shenzhen (CN)

*Primary Examiner* — Katrina A Betton

(\*\*) Term: **15 Years**

(74) *Attorney, Agent, or Firm* — Kunzler Bean & Adamson, PC; Michael Bartholomew

(21) Appl. No.: **29/812,500**

(57) **CLAIM**

(22) Filed: **Oct. 21, 2021**

The ornamental design for an organize tray for center console, as shown and described.

**DESCRIPTION**

(51) **LOC (14) Cl.** ..... **12-16**

(52) **U.S. Cl.**

USPC ..... **D12/425**

(58) **Field of Classification Search**

USPC ..... D12/425, 400, 406, 415-420, 424, 426

CPC ..... B63B 25/00; B63B 7/085; B63B 35/00;

B63B 17/00; B60R 16/04

See application file for complete search history.

FIG. 1 is a front, right side, top perspective view of an organize tray for center console showing my new design; FIG. 2 is a rear, right side, bottom perspective view thereof; FIG. 3 is a front elevational view thereof; FIG. 4 is a rear elevational view thereof; FIG. 5 is a left side elevational view thereof; FIG. 6 is a right side elevational view thereof; FIG. 7 is a top plan view thereof; FIG. 8 is a bottom plan view thereof; FIG. 9 is a cross-sectional view thereof as taken along the line 9-9 of FIG. 7; FIG. 10 is a cross-sectional view thereof as taken along the line 10-10 of FIG. 7; FIG. 11 is a cross-sectional view thereof as taken along the line 11-11 of FIG. 7; FIG. 12 is a cross-sectional view thereof as taken along the line 12-12 of FIG. 7; and, FIG. 13 is a cross-sectional view thereof as taken along the line 13-13 of FIG. 7.

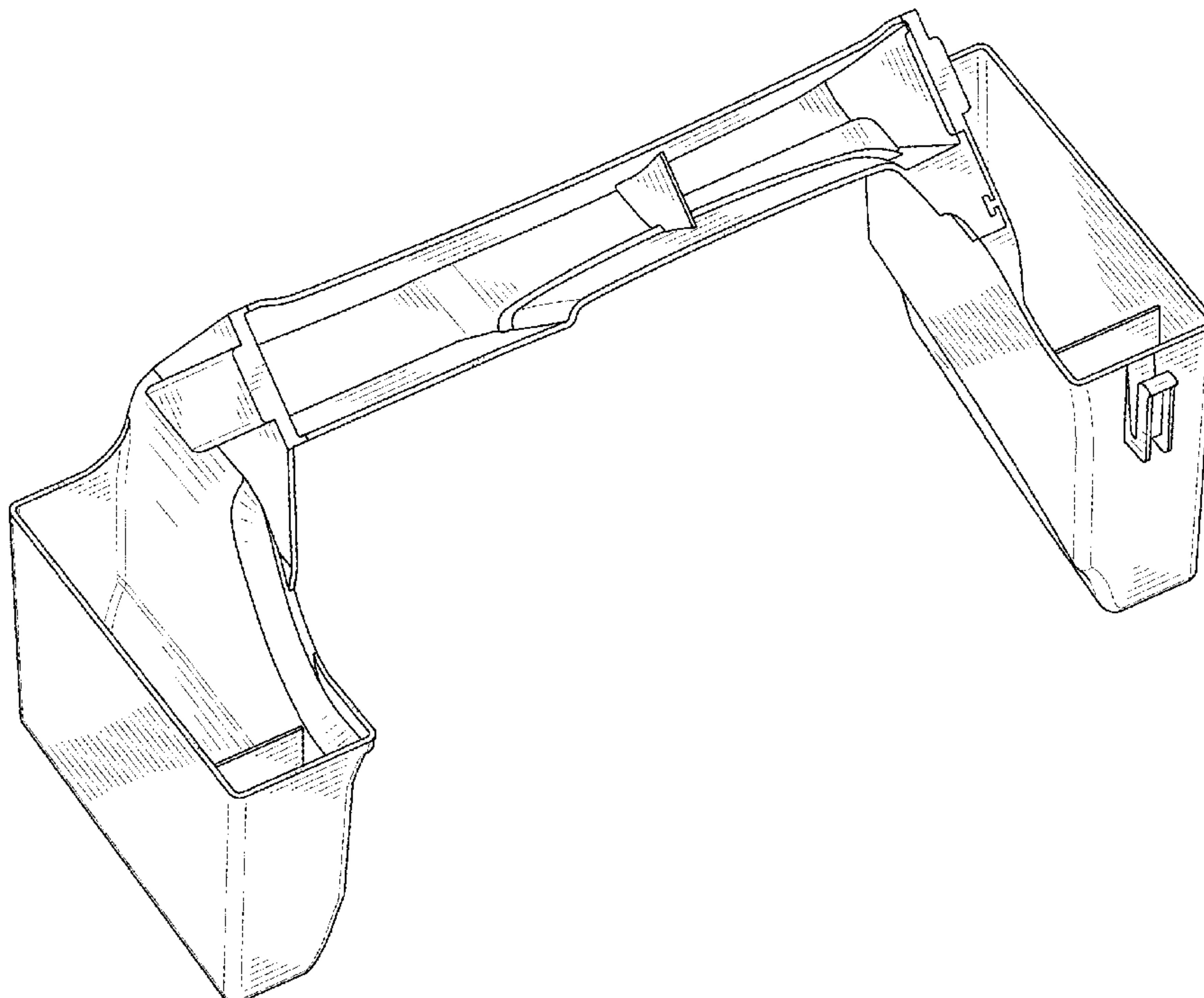
The broken lines depict portions of the organize tray for center console and form no part of the claimed design.

(56) **References Cited**

**U.S. PATENT DOCUMENTS**

D339,681 S	9/1993	Okoli	
D407,243 S	3/1999	Thoesen	
D963,549 S *	9/2022	Li	D12/425
D963,550 S *	9/2022	Pan	D12/425
D964,914 S *	9/2022	Wei	D12/425
D965,507 S *	10/2022	Li	D12/425
D970,978 S *	11/2022	Shao	D7/602
D971,122 S *	11/2022	Wei	D12/425
D974,279 S *	1/2023	Su	D12/425
D974,995 S *	1/2023	Gan	D12/425
D977,407 S *	2/2023	Yu	D12/425
D979,485 S *	2/2023	Liu	D12/425

**1 Claim, 13 Drawing Sheets**



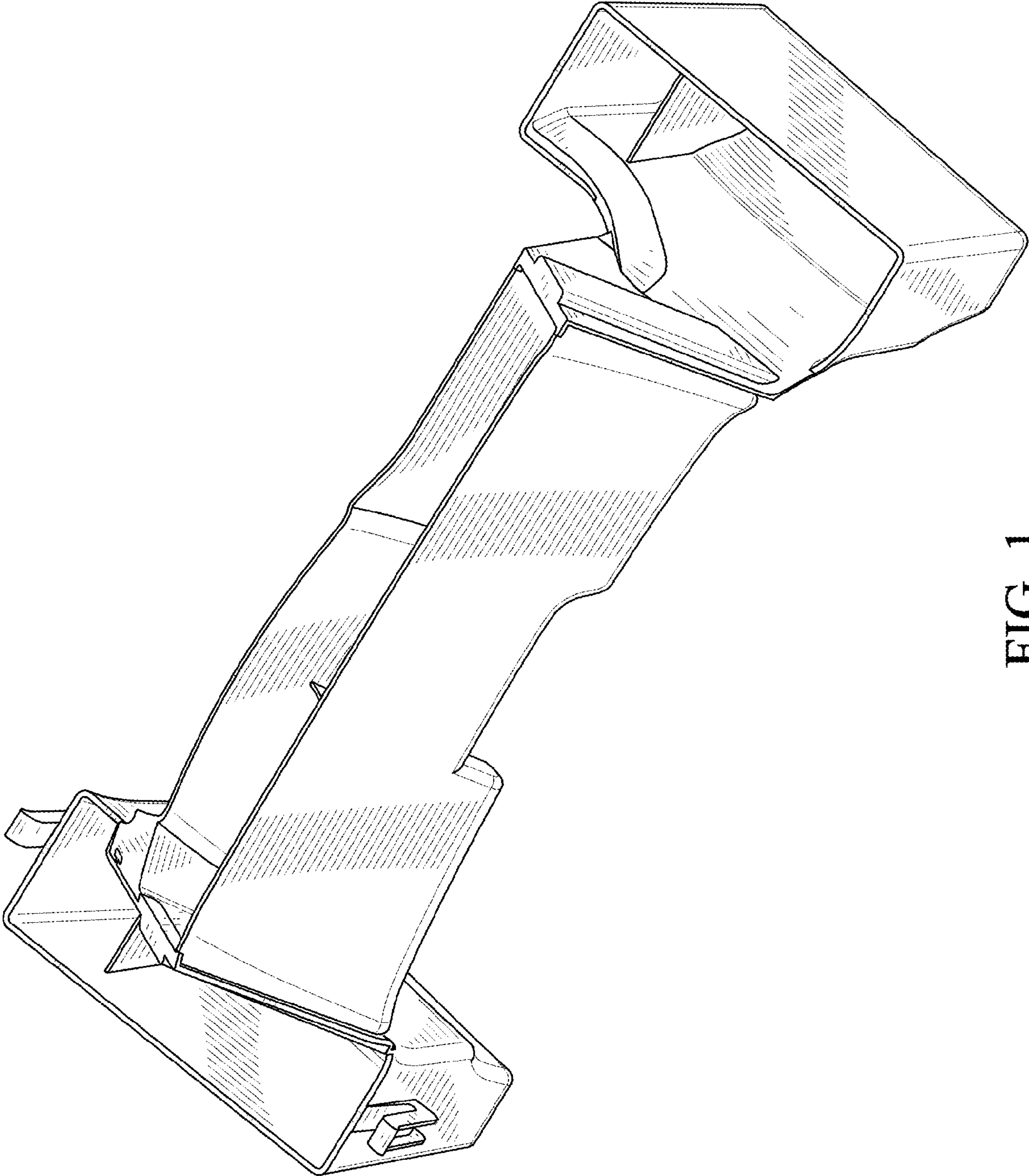


FIG. 1

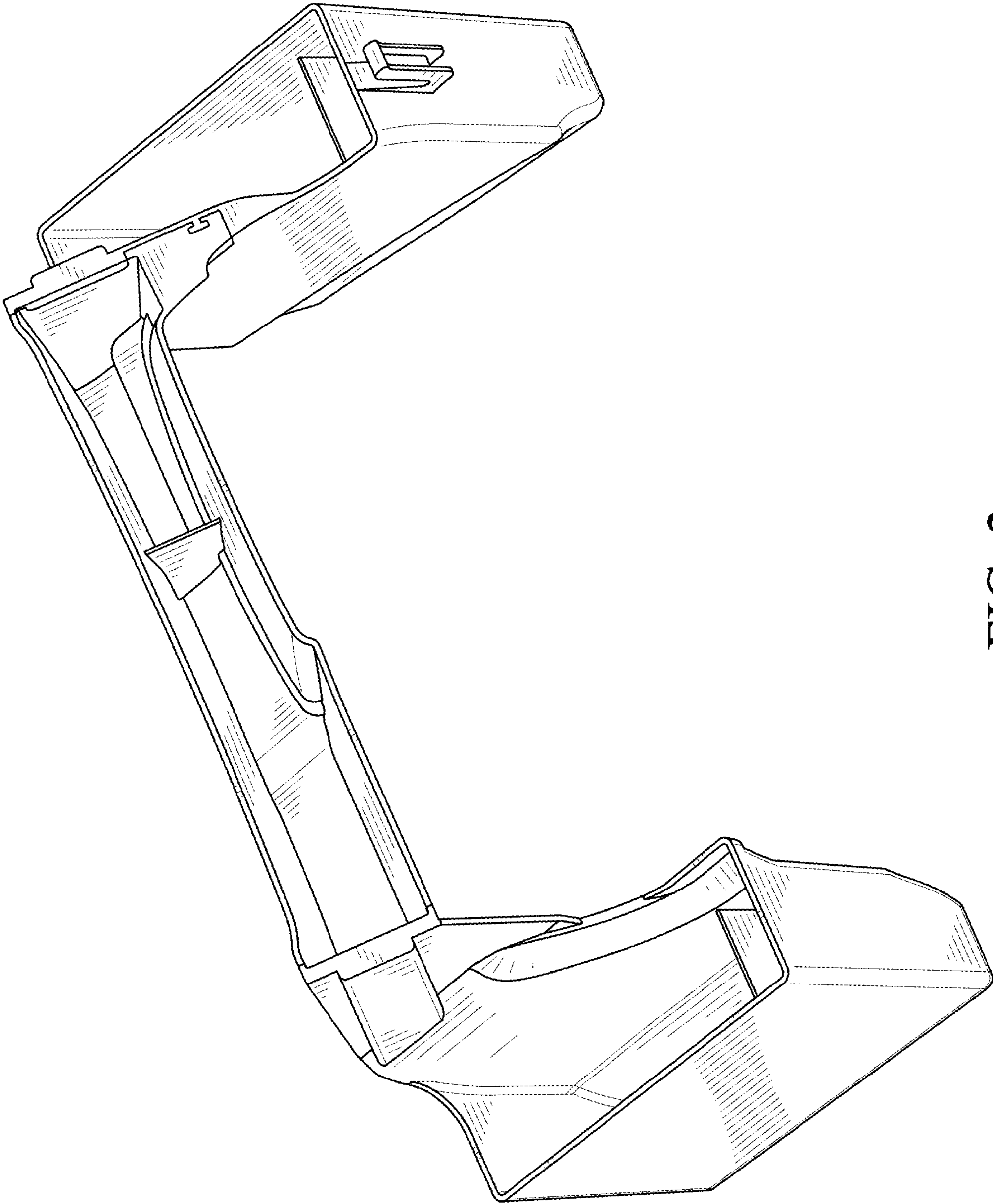


FIG. 2



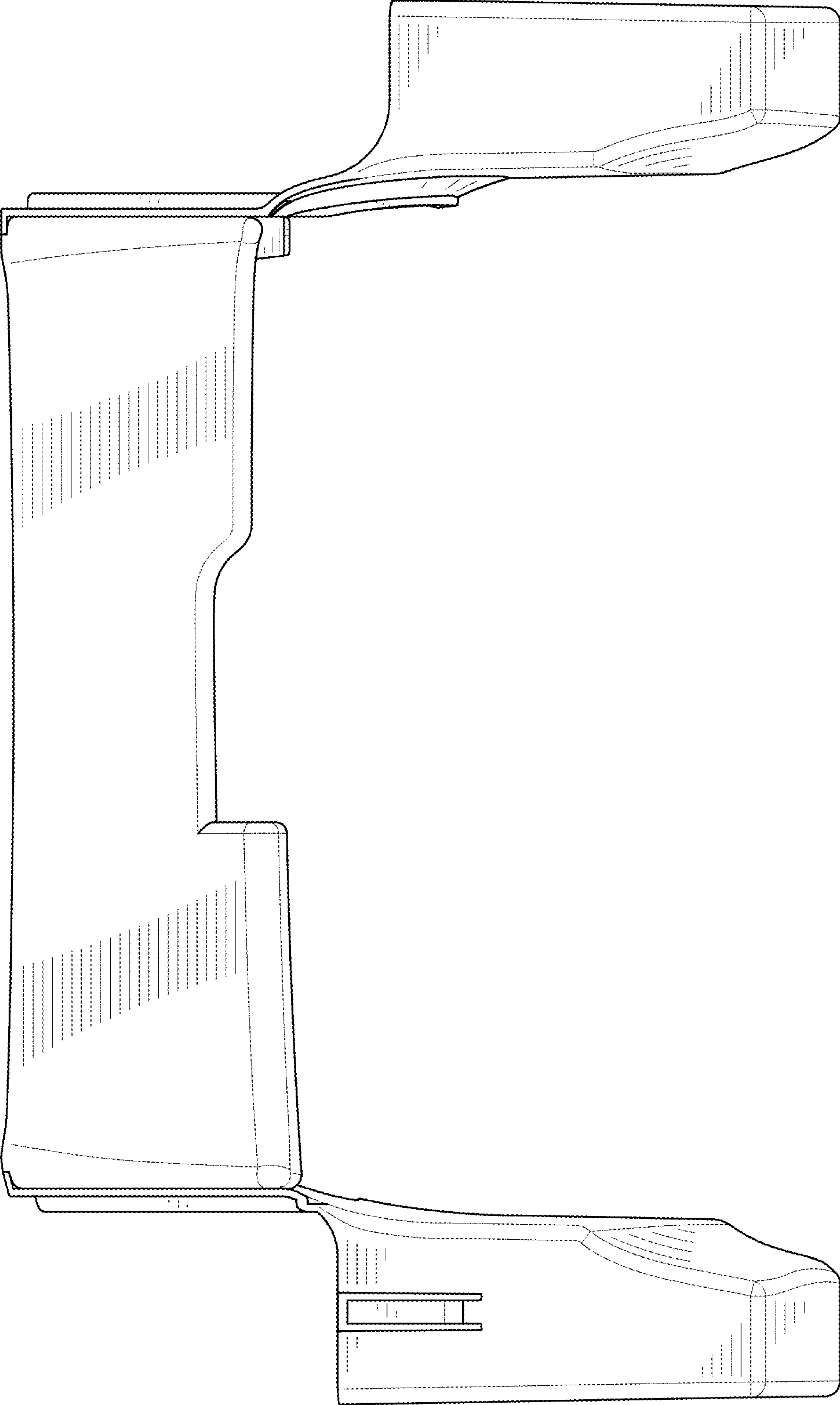


FIG. 3

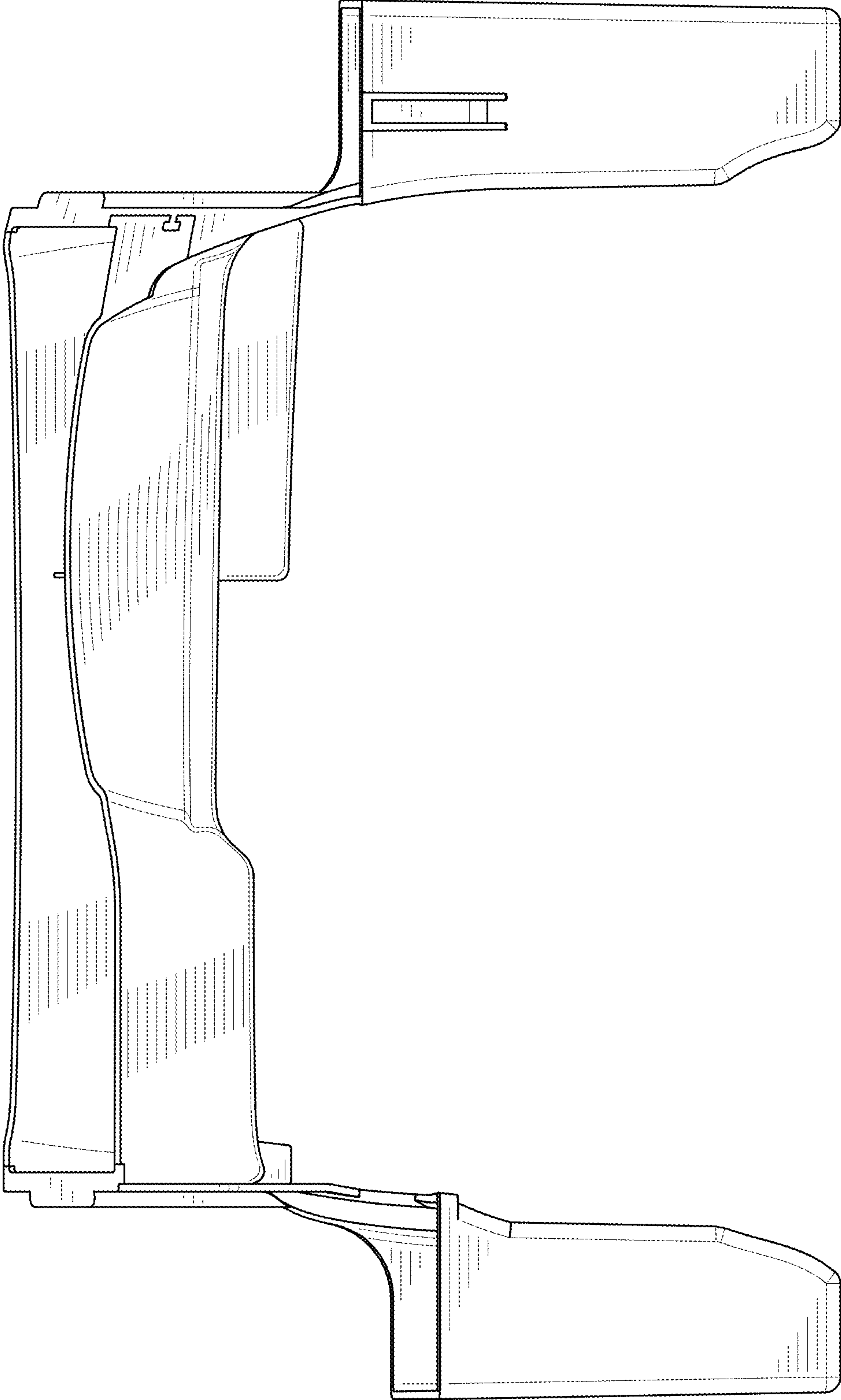


FIG. 4

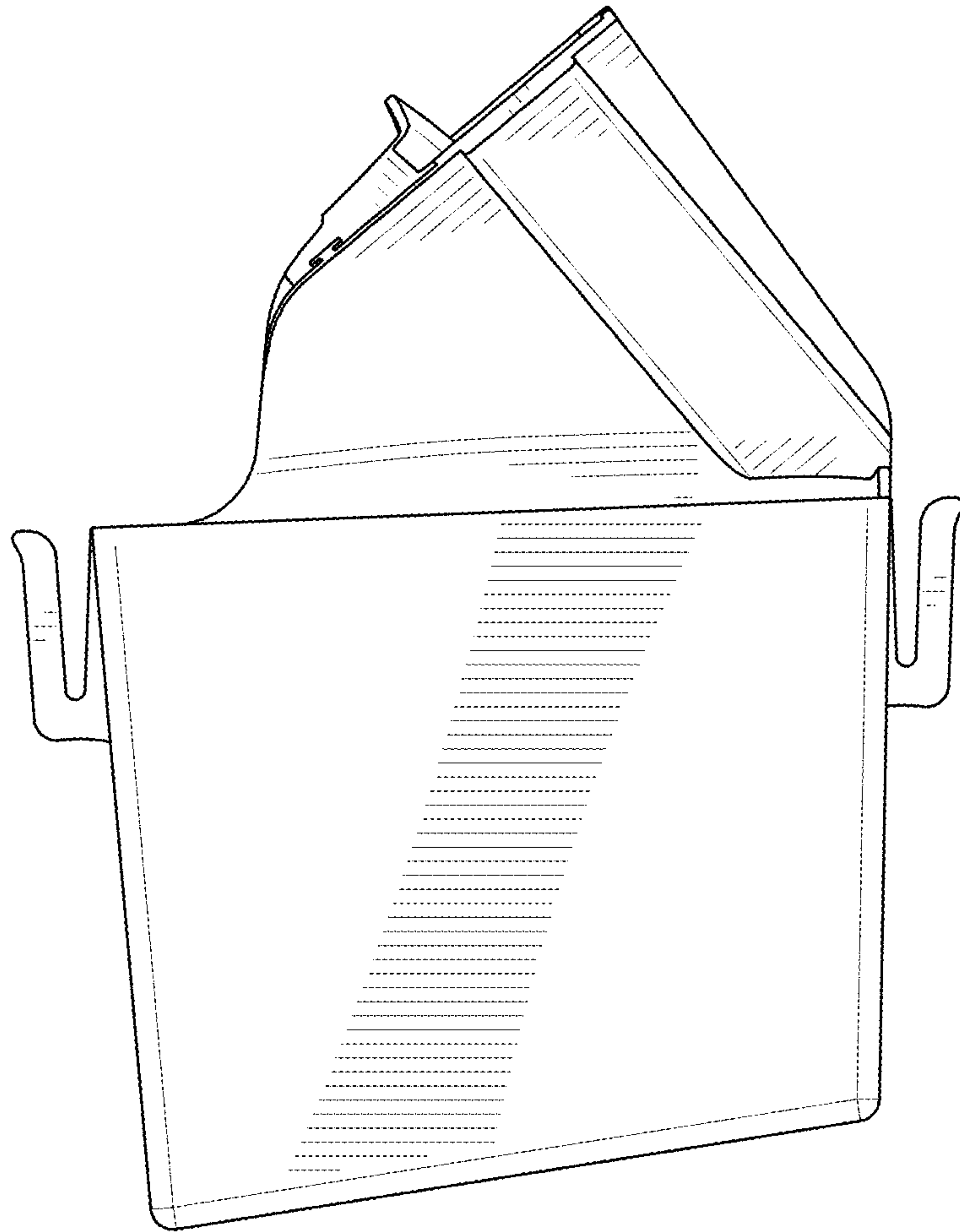


FIG. 5

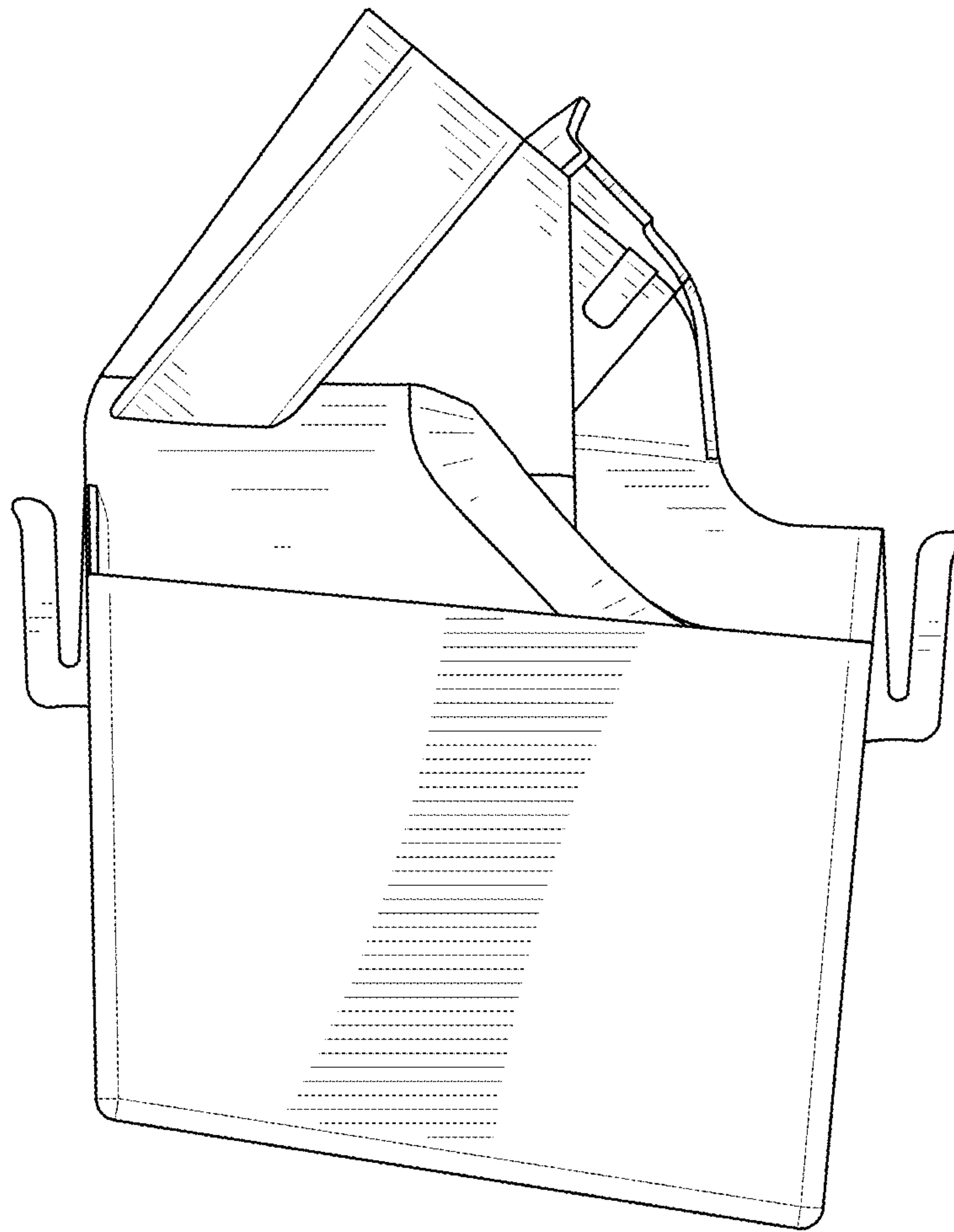


FIG. 6

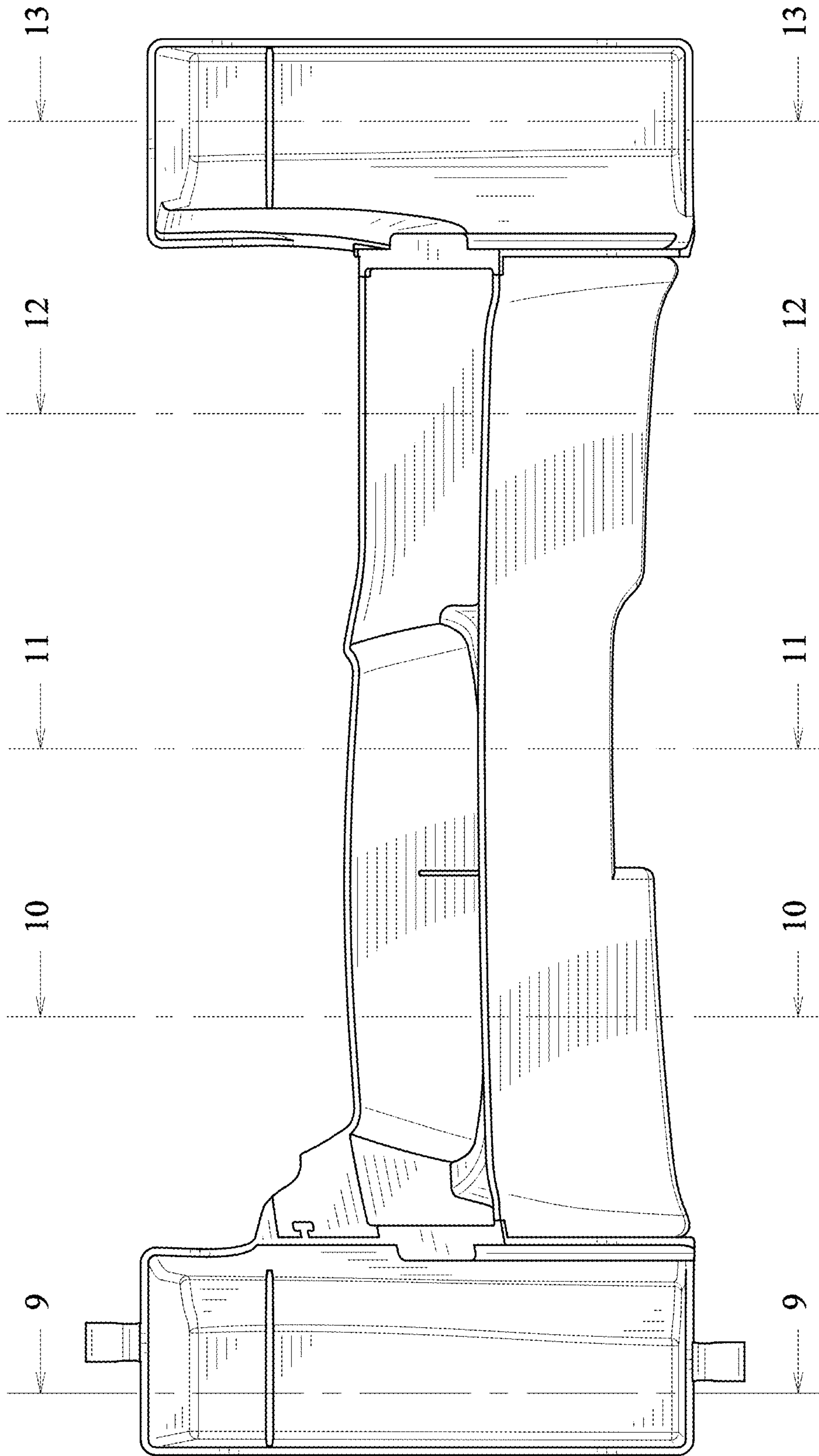


FIG. 7



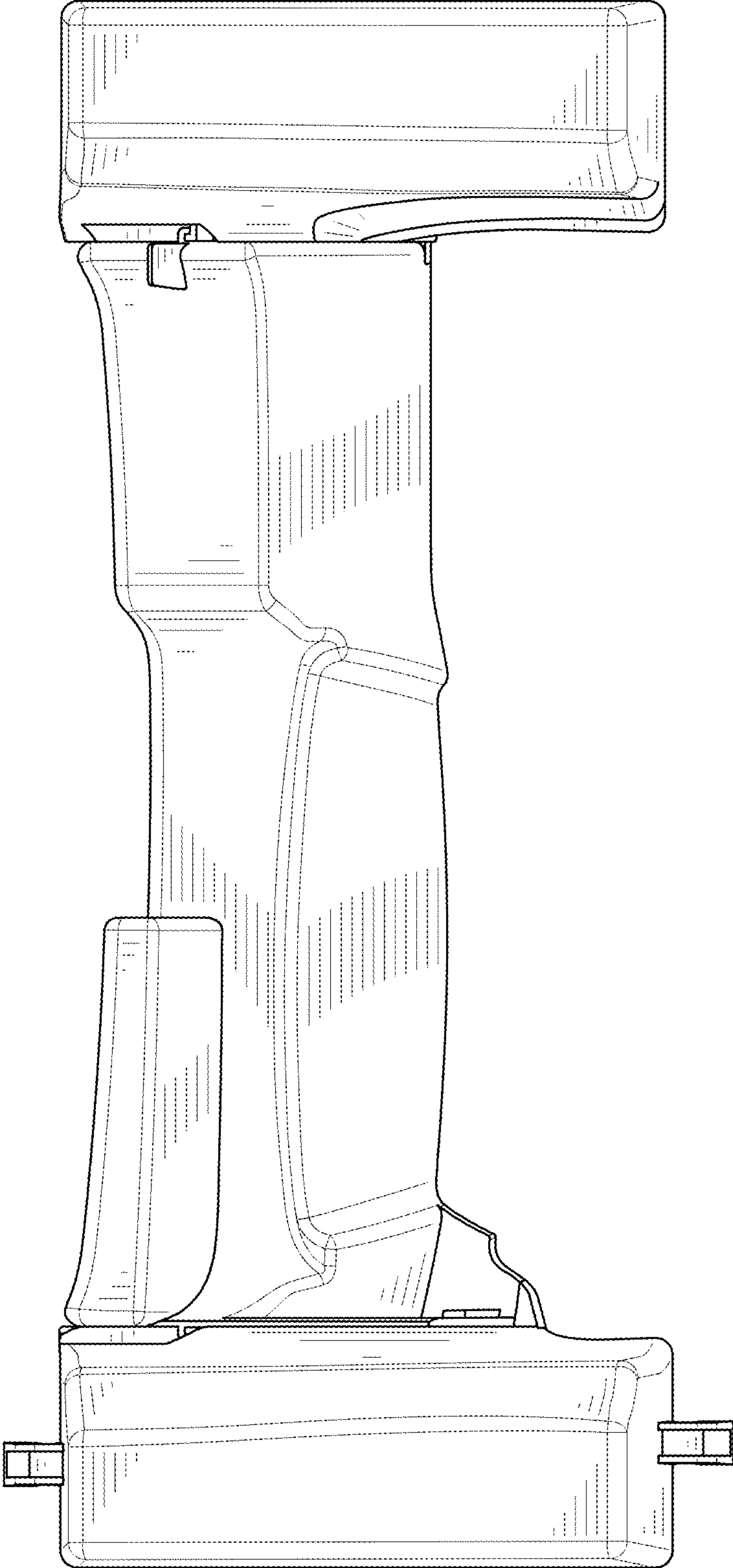


FIG. 8

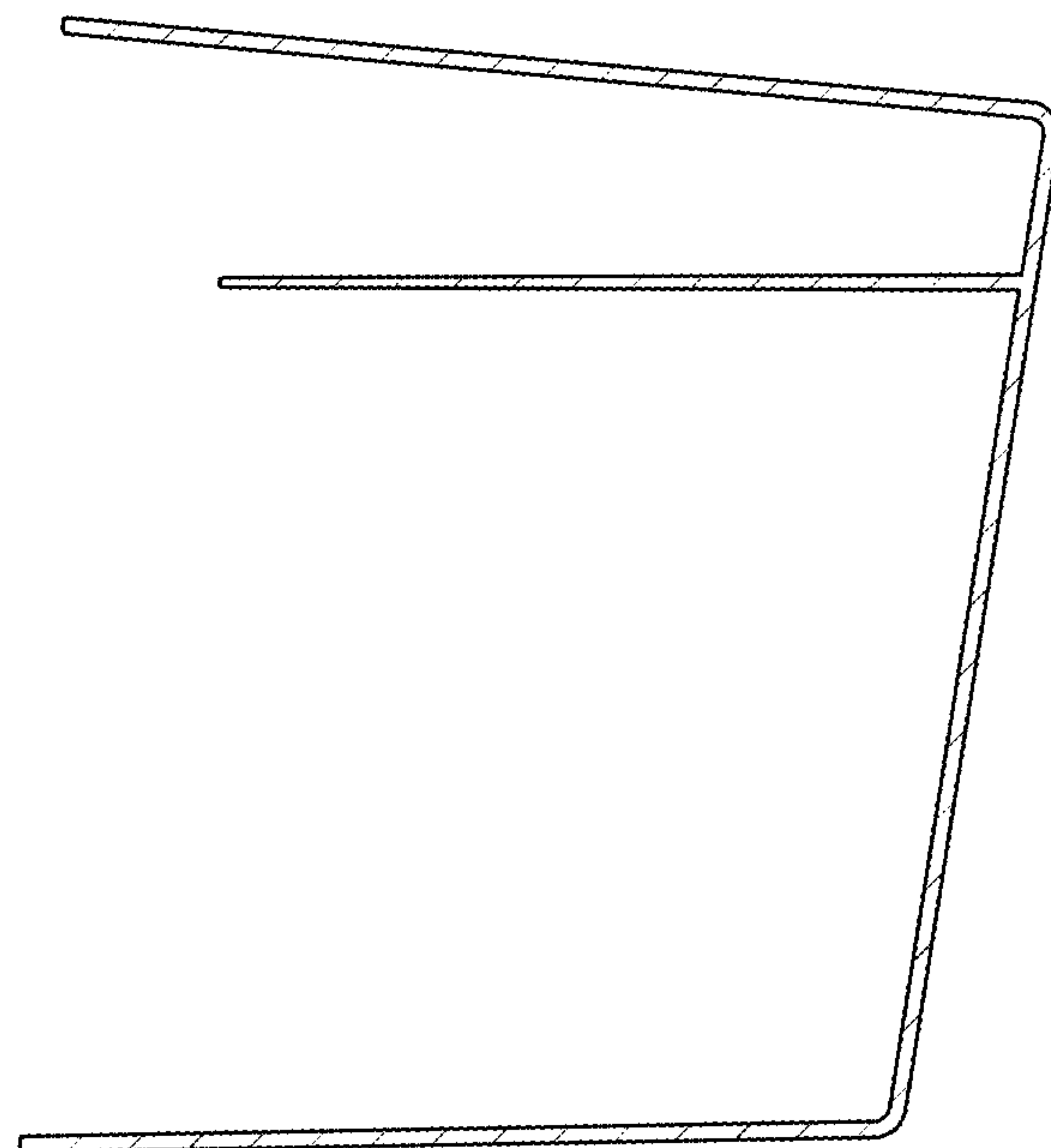


FIG. 9

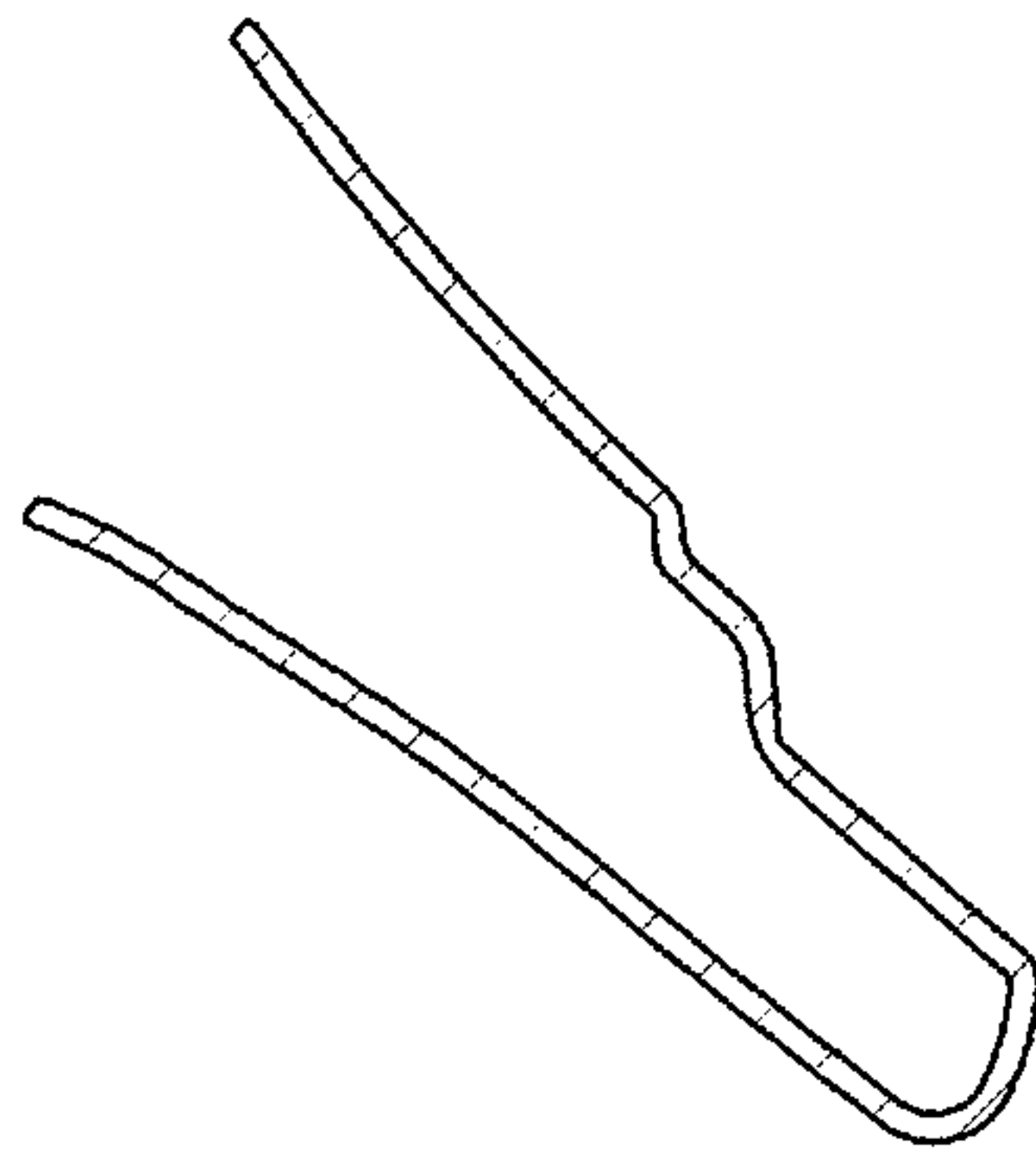


FIG. 10

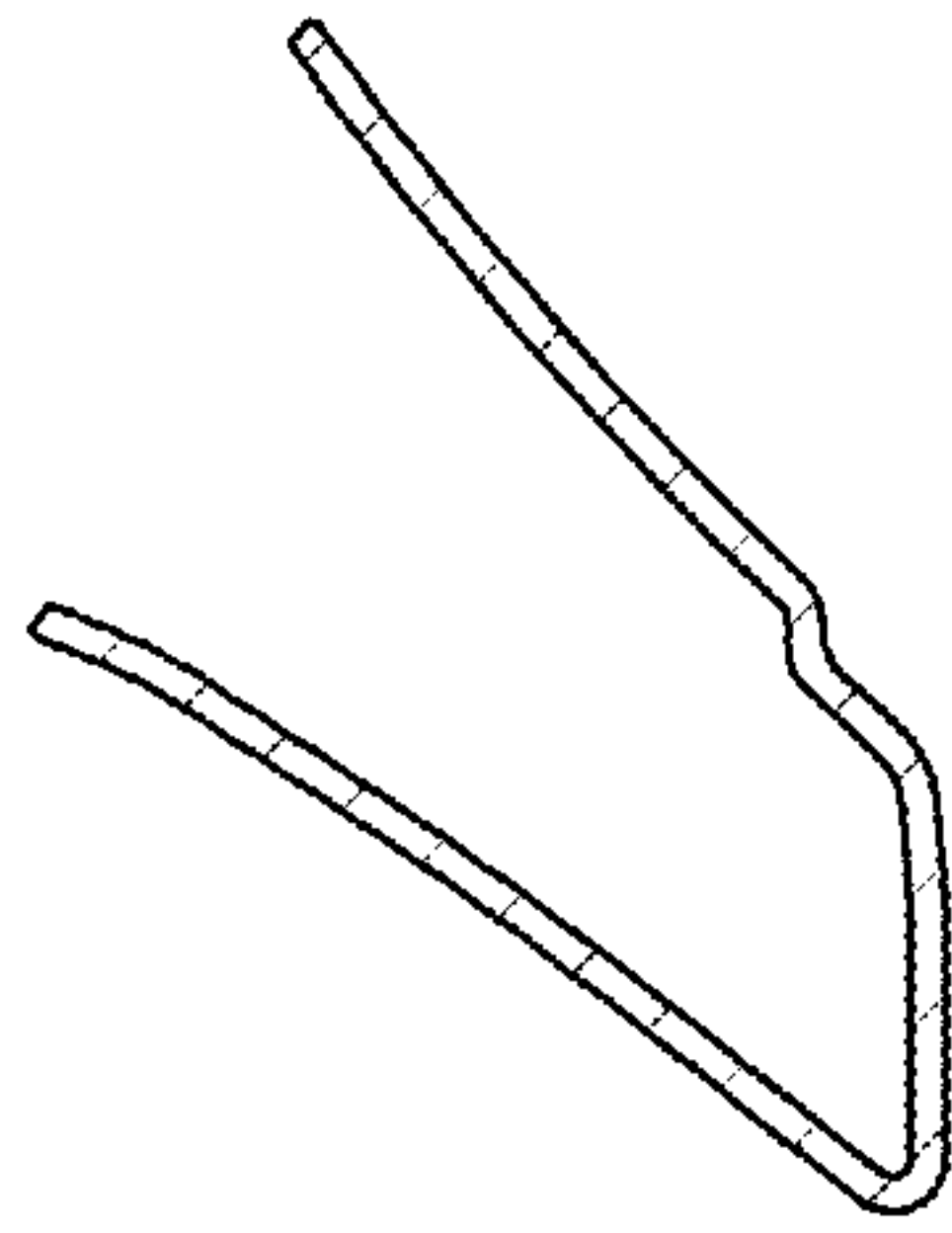


FIG. 11

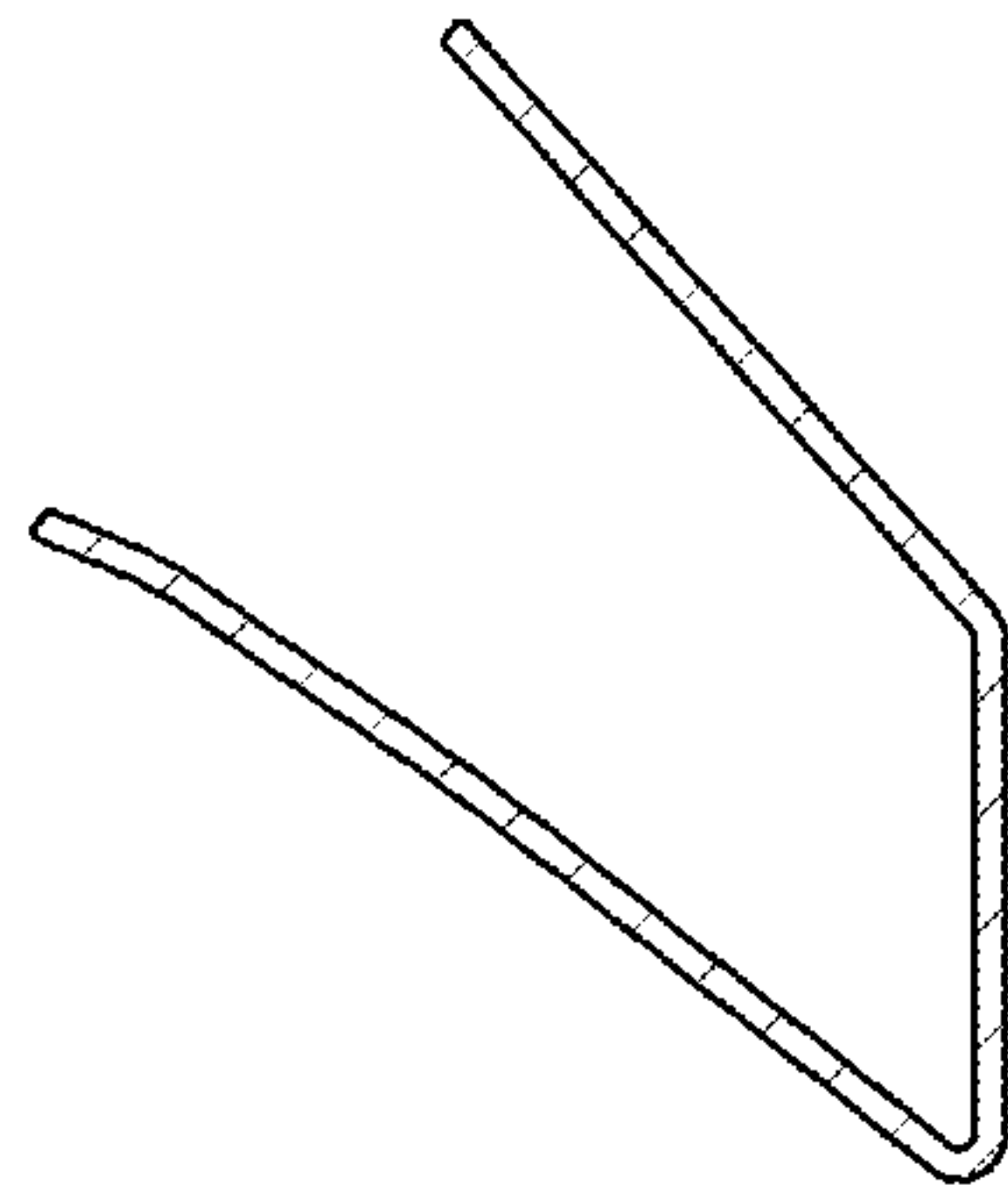


FIG. 12



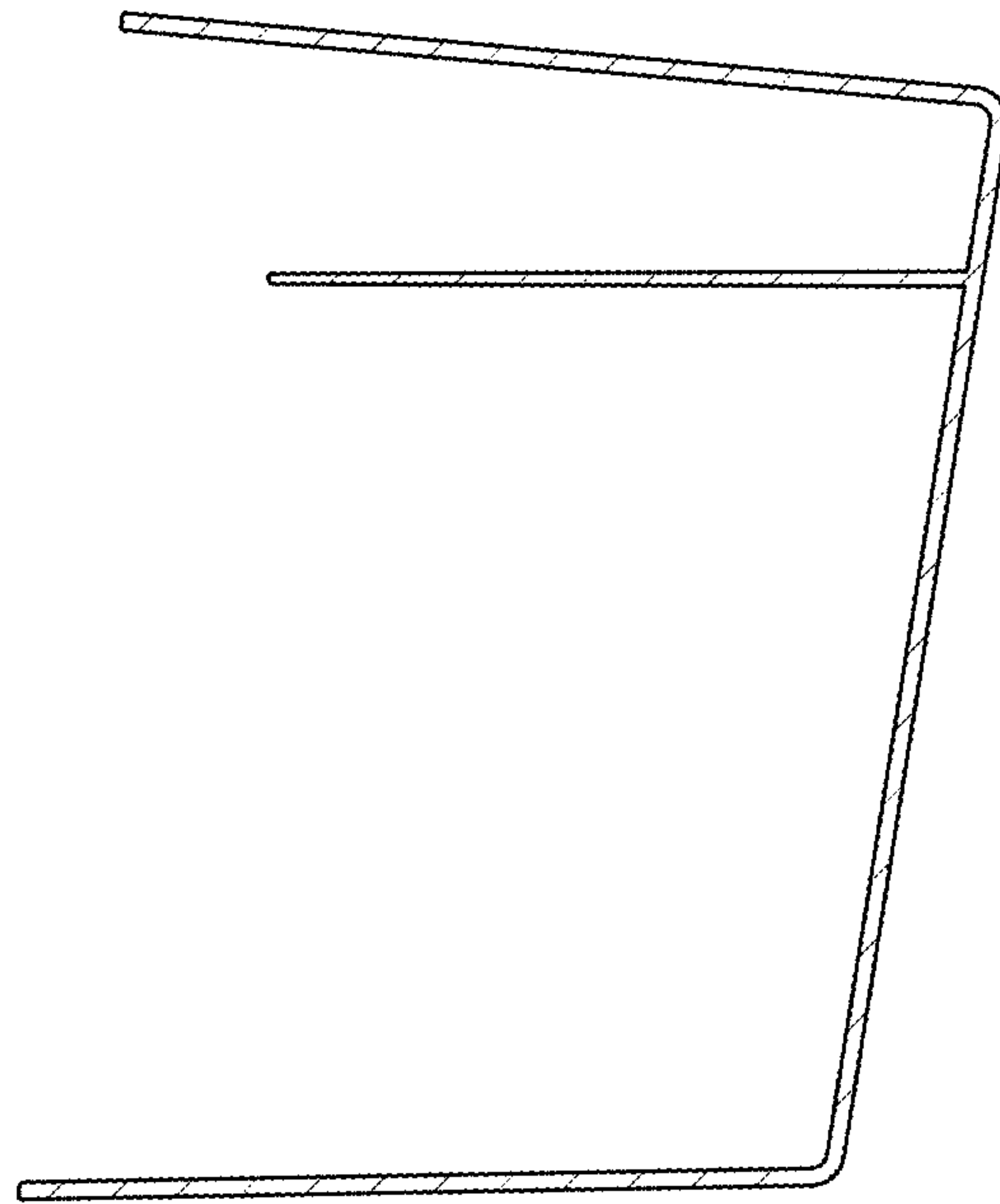


FIG. 13