



US00D988972S

(12) **United States Design Patent**
Chen

(10) **Patent No.:** **US D988,972 S**
(45) **Date of Patent:** **** Jun. 13, 2023**

(54) **AUTOMOBILE GLASSES HOLDER**
(71) Applicant: **Jianchu Chen**, Guangdong (CN)
(72) Inventor: **Jianchu Chen**, Guangdong (CN)
(**) Term: **15 Years**

10,486,563	B1	11/2019	Brown	
D881,870	S *	4/2020	Riley	D3/218
D899,082	S	10/2020	Rodriguez	
D908,465	S	1/2021	Chen	
D908,595	S *	1/2021	Chen	D12/417
D925,435	S *	7/2021	Tung	D12/415
D965,505	S *	10/2022	Wu	D12/417
D977,471	S *	2/2023	Edgson	A47C 7/723 D12/416
D977,945	S	2/2023	Huang	
2005/0263661	A1 *	12/2005	Park	A42B 1/247 248/292.12

(21) Appl. No.: **29/873,481**
(22) Filed: **Mar. 31, 2023**

(51) **LOC (14) Cl.** **12-16**
(52) **U.S. Cl.**
USPC **D12/417**
(58) **Field of Classification Search**
USPC D12/415, 416, 12, 418, 417, 419, 420,
D12/400, 191, 106, 195, 345, 96, 99;
D6/513, 514, 553, 556, 611, 559
CPC B60R 7/08; B60R 7/04
See application file for complete search history.

* cited by examiner

Primary Examiner — Katrina A Betton

(56) **References Cited**

U.S. PATENT DOCUMENTS

D292,595	S	11/1987	Tanaka	
D403,296	S *	12/1998	Thomas	D12/417
D408,348	S *	4/1999	Muniz	D12/417
D423,777	S *	5/2000	Folisi	D3/266
D479,502	S *	9/2003	Gagnon	D12/417
D574,433	S *	8/2008	Poma	D19/83
D578,468	S	10/2008	Bergh et al.	
D652,830	S *	1/2012	Nazar	D14/253
D657,731	S	4/2012	Fried	
8,567,649	B1 *	10/2013	Cabak	B60R 7/082 206/5
D812,557	S	3/2018	Rostami	

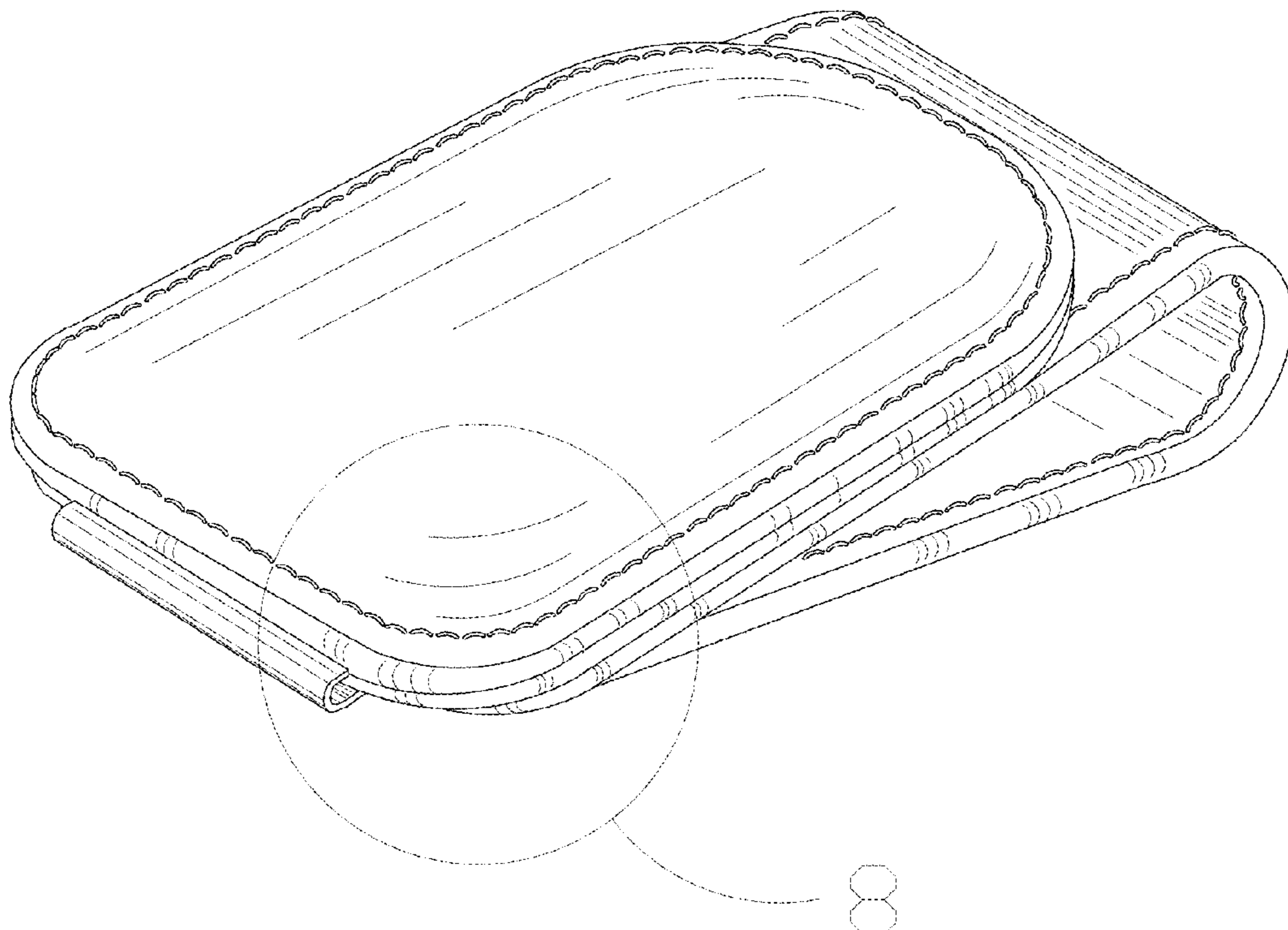
(57) **CLAIM**

The ornamental design for an automobile glasses holder, as shown and described.

DESCRIPTION

FIG. 1 is a perspective view of an automobile glasses holder showing my new design.
FIG. 2 is front view thereof.
FIG. 3 is a rear view thereof.
FIG. 4 is a right side view thereof.
FIG. 5 is a left side view thereof.
FIG. 6 is a top view thereof.
FIG. 7 is a bottom view thereof; and,
FIG. 8 is an enlarged view of a portion indicated with "8" in FIG. 1.

1 Claim, 8 Drawing Sheets



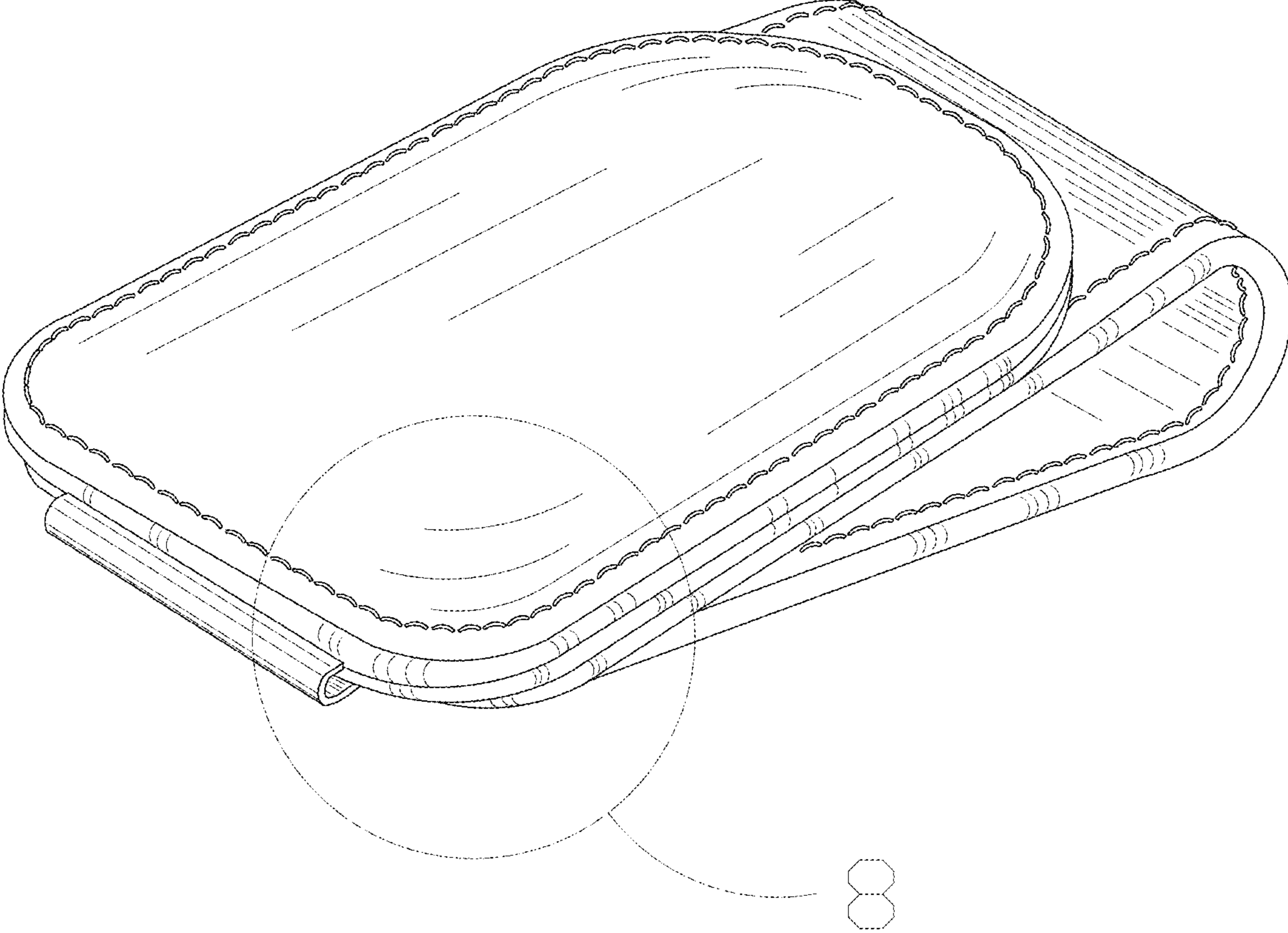


FIG.1

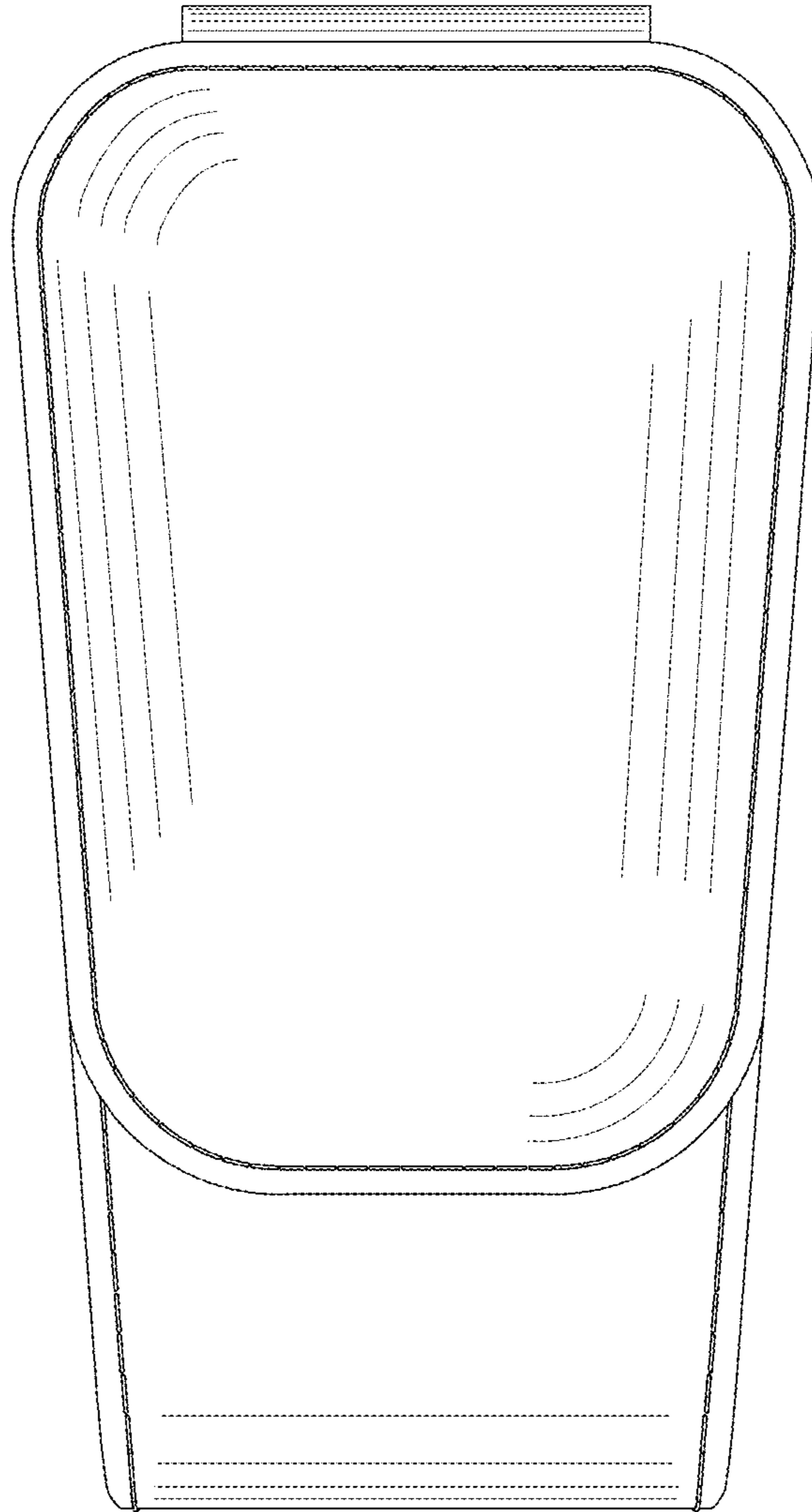


FIG. 2

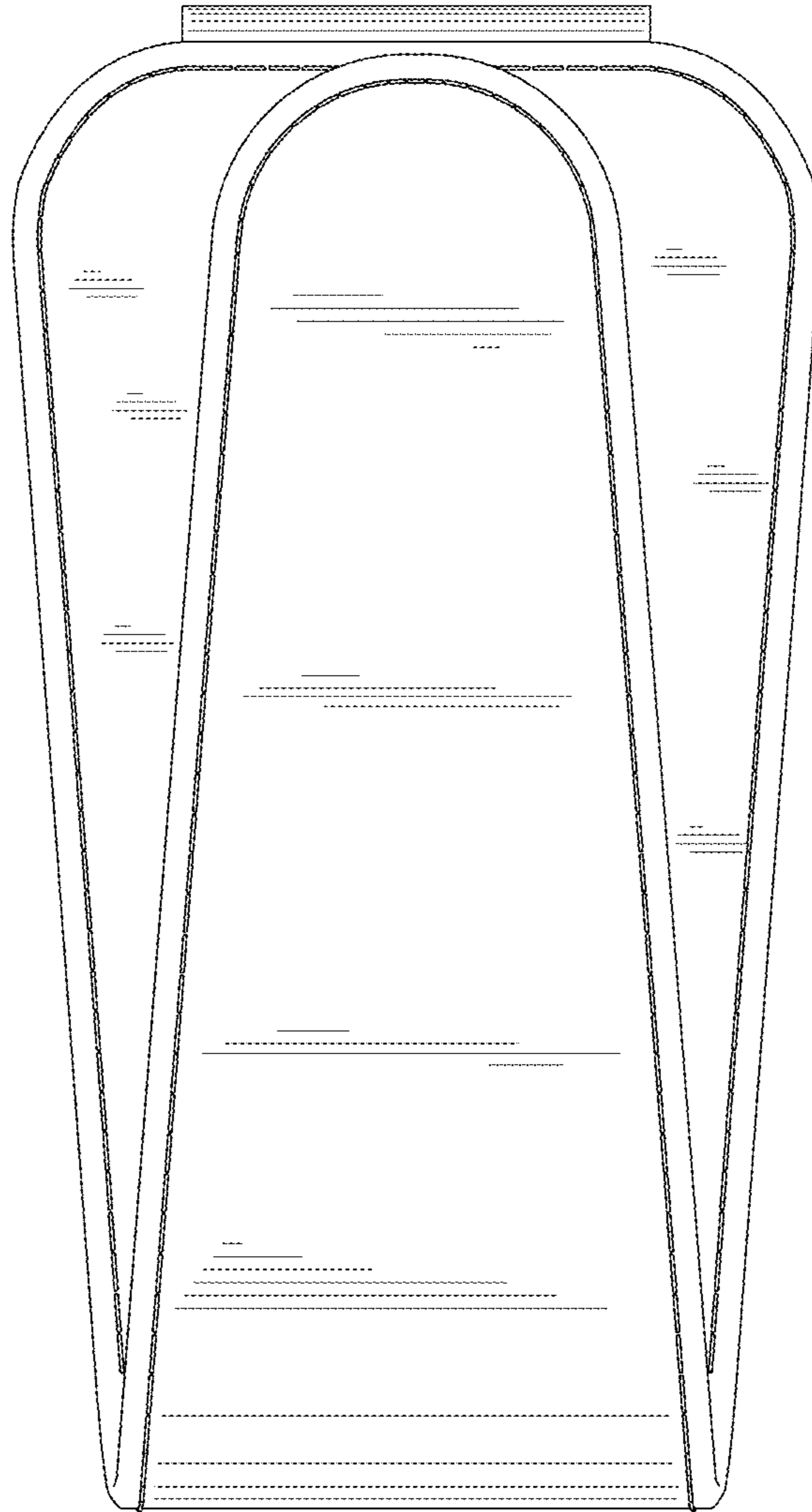


FIG. 3

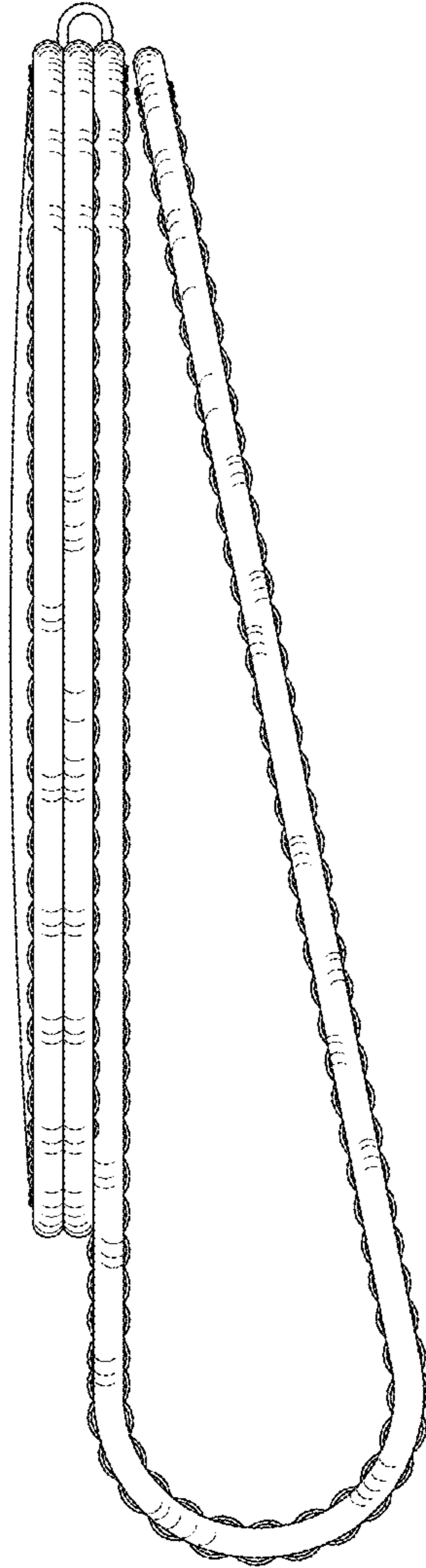


FIG. 4

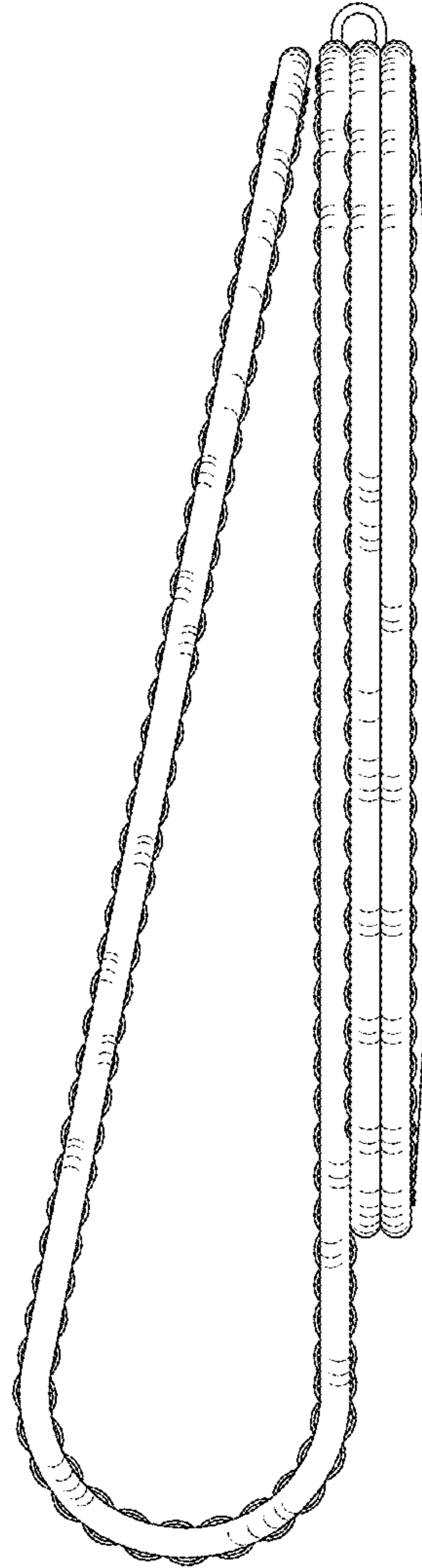


FIG. 5

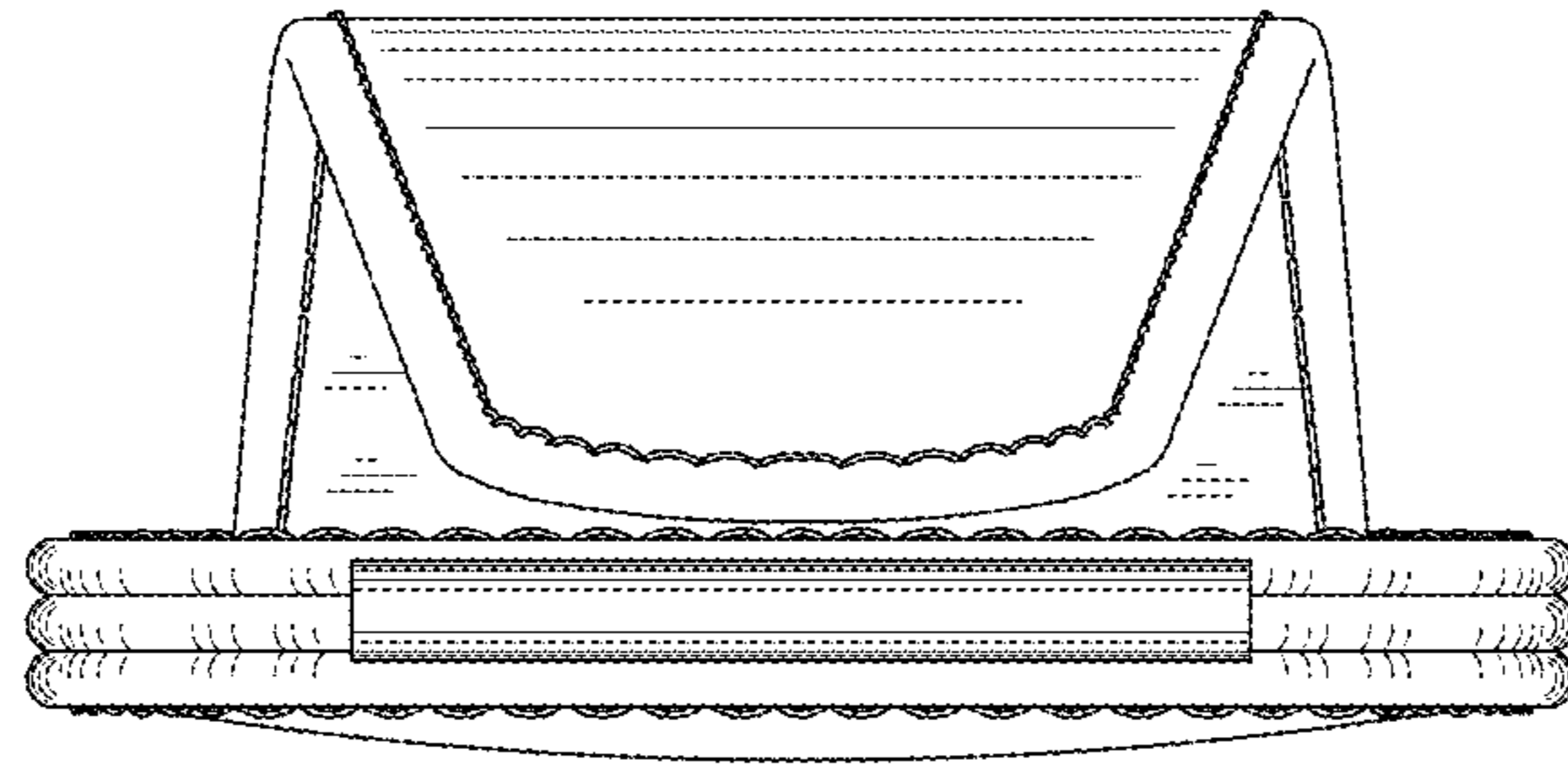


FIG. 6

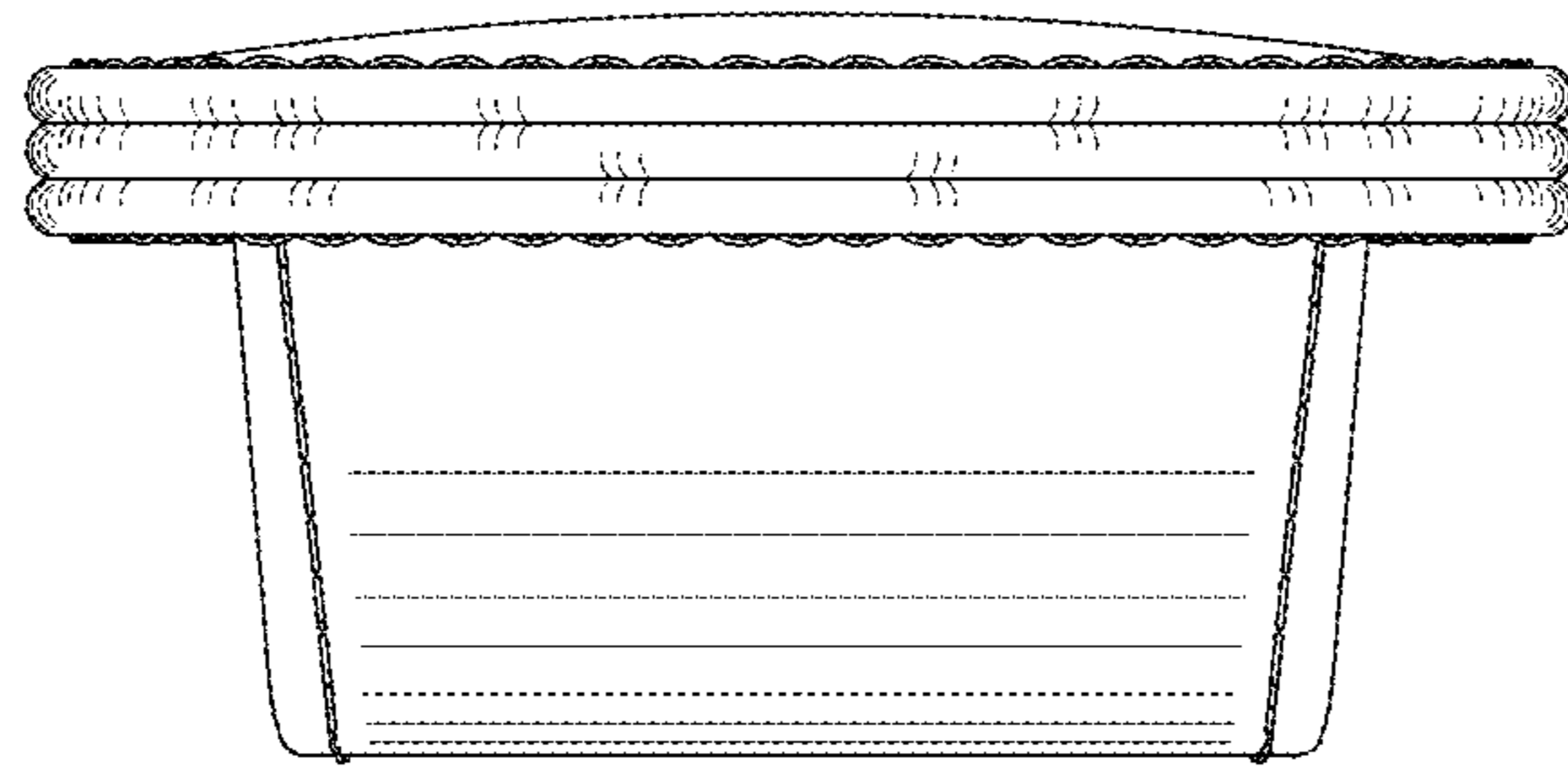


FIG. 7

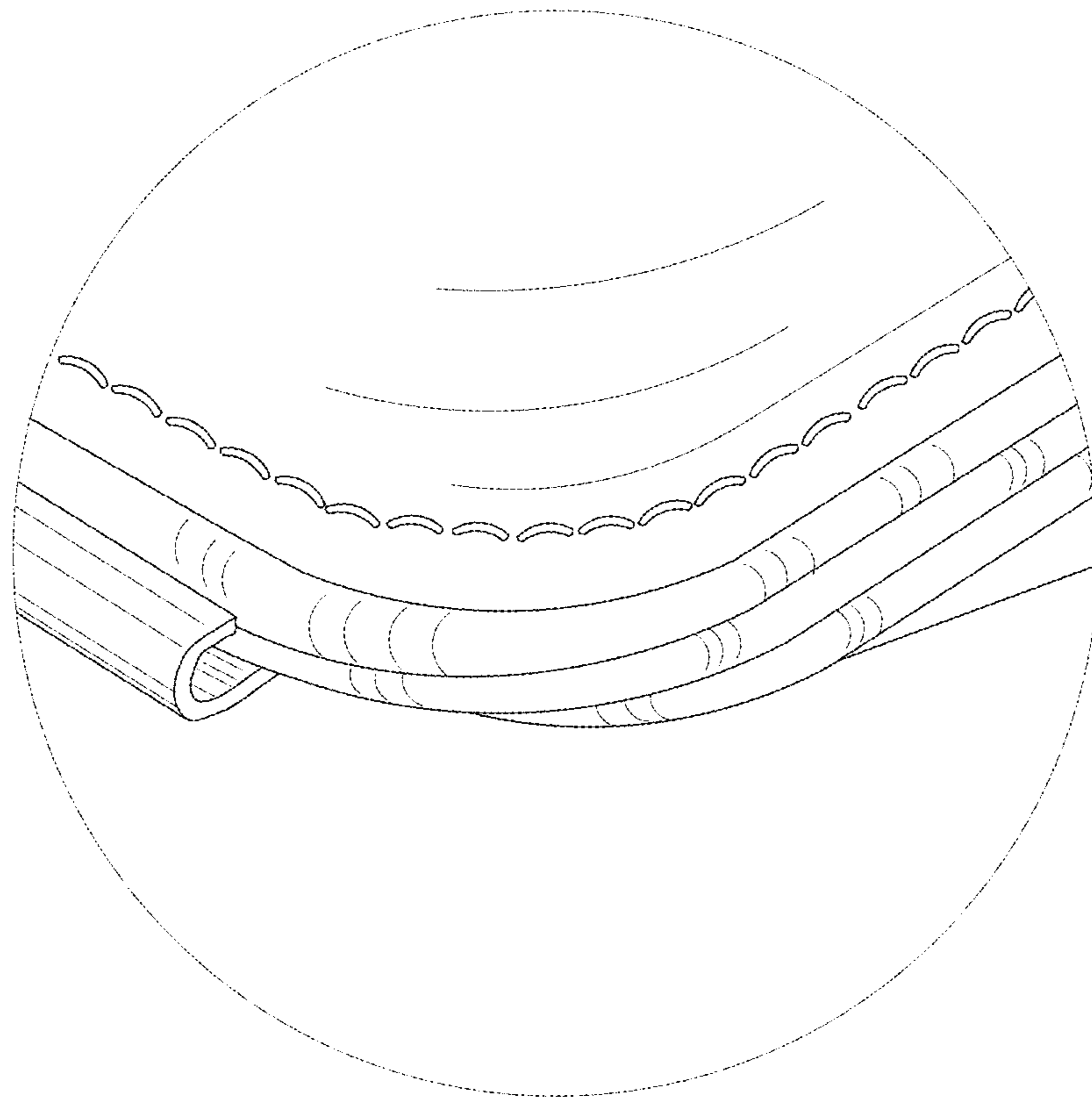


FIG.8