



US00D988971S

(12) **United States Design Patent**
Watson et al.

(10) **Patent No.:** **US D988,971 S**
(45) **Date of Patent:** **** Jun. 13, 2023**

(54) **GEAR TUNNEL**

(71) Applicant: **Rivian IP Holdings, LLC**, Plymouth, MI (US)

(72) Inventors: **Michelle Watson**, San Francisco, CA (US); **Denise Cherry**, Los Angeles, CA (US); **Elizabeth Boze**, Los Angeles, CA (US); **Sarah Dziuba**, Venice, CA (US); **Isaac Howell**, Los Angeles, CA (US); **Zachary Stuckey-Hughes**, El Segundo, CA (US)

(73) Assignee: **Rivian IP Holdings, LLC**, Irvine, CA (US)

(**) Term: **15 Years**

(21) Appl. No.: **29/775,814**

(22) Filed: **Mar. 25, 2021**

(51) **LOC (14) Cl.** **12-16**

(52) **U.S. Cl.**
USPC **D12/414.1**

(58) **Field of Classification Search**
USPC D12/42-44, 93-98, 99, 114, 179, D12/400-426; D8/353; D15/138; D25/38.1, 126
CPC B21C 23/08; B21C 37/06; B60H 1/00; B60H 1/00064; B60H 1/00557; B60H 1/00564; B60H 1/26; B60R 5/006; B60R 7/005; B60R 9/00; B60R 9/02; B60R 9/052; B60R 2011/004; B60R 11/00; B60R 13/011; B61B 13/10; B65D 43/16; B60P 7/0807; F16B 21/09
See application file for complete search history.

(56) **References Cited**

U.S. PATENT DOCUMENTS

D384,934 S * 10/1997 Grisel D12/424
D426,187 S * 6/2000 Shultz D12/414.1

D430,103 S * 8/2000 Scudder D12/414.1
D630,015 S * 1/2011 Weng D3/276
D713,323 S * 9/2014 Gearner, III D12/414.1
9,914,398 B1 * 3/2018 Sanders B60R 7/06
D816,587 S * 5/2018 Perkins D12/414.1
D923,551 S * 6/2021 Frazier D12/418
2019/0031351 A1 * 1/2019 Roth B32B 3/08
2019/0184904 A1 * 6/2019 Fang B65D 25/06

OTHER PUBLICATIONS

“The All-Electric Rivian R1T Is a Dream Truck for Adventurers”, available in theverge.com, announced 2018 [online], [site visited Aug. 12, 2022], Internet URL: <https://www.theverge.com/2018/11/26/18111782/rivian-r1t-electric-pickup-price-specs-la-auto-show-2018>.*

* cited by examiner

Primary Examiner — Darlington Ly
Assistant Examiner — D. Ryan Tisdale
(74) *Attorney, Agent, or Firm* — Clements Bernard Walker; Christopher L. Bernard

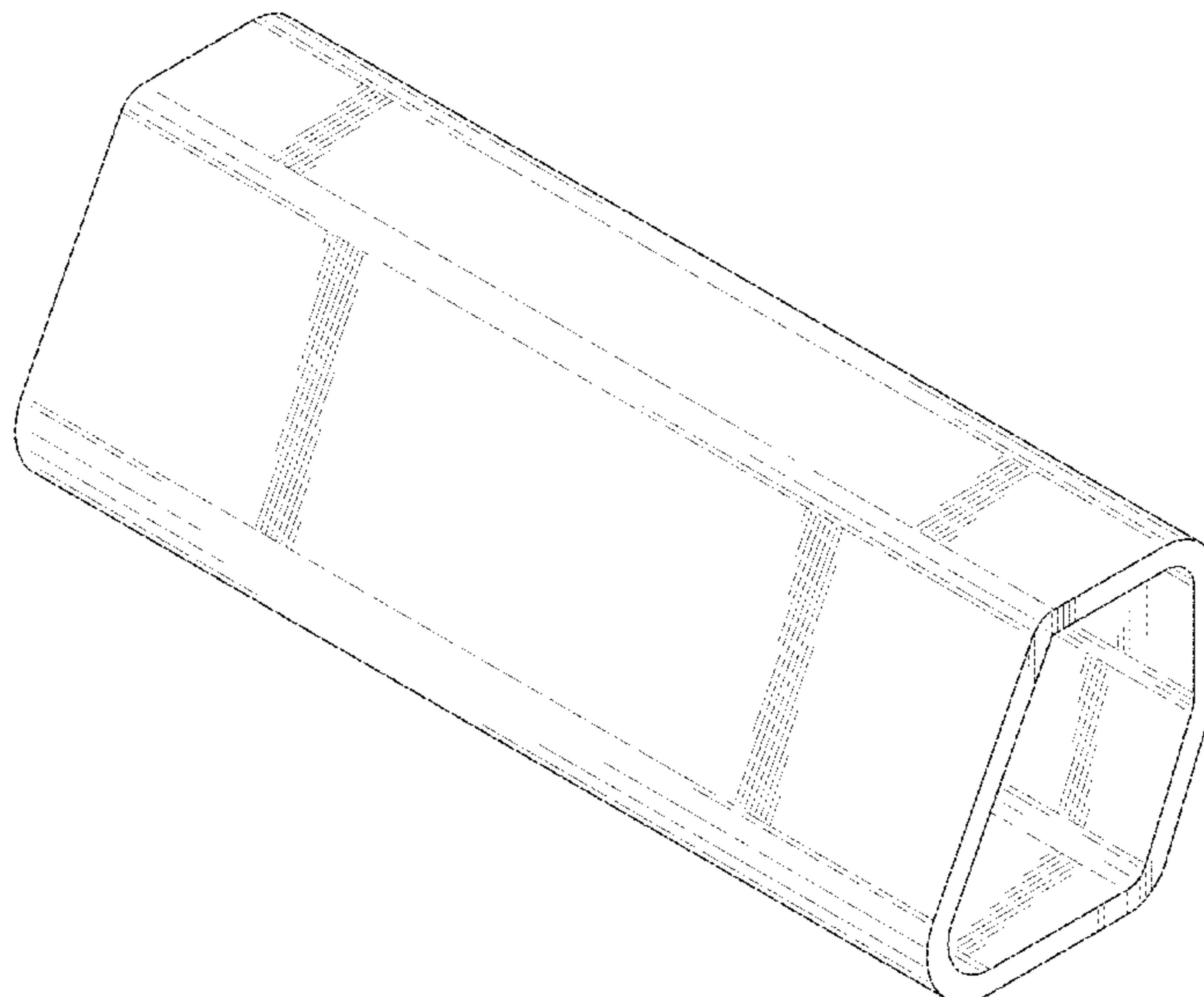
(57) **CLAIM**

We claim the ornamental design for a gear tunnel, as shown and described.

DESCRIPTION

FIG. 1 is a front perspective view of a gear tunnel.
FIG. 2 is a rear perspective view of the gear tunnel.
FIG. 3 is a front elevation view of the gear tunnel of FIG. 1.
FIG. 4 is a left side elevation view of the gear tunnel of FIG. 1.
FIG. 5 is a rear elevation view of the gear tunnel of FIG. 1.
FIG. 6 is a right side elevation view of the gear tunnel of FIG. 1.
FIG. 7 is a top plan view of the gear tunnel of FIG. 1; and, FIG. 8 is a bottom plan view of the gear tunnel of FIG. 1.

1 Claim, 7 Drawing Sheets



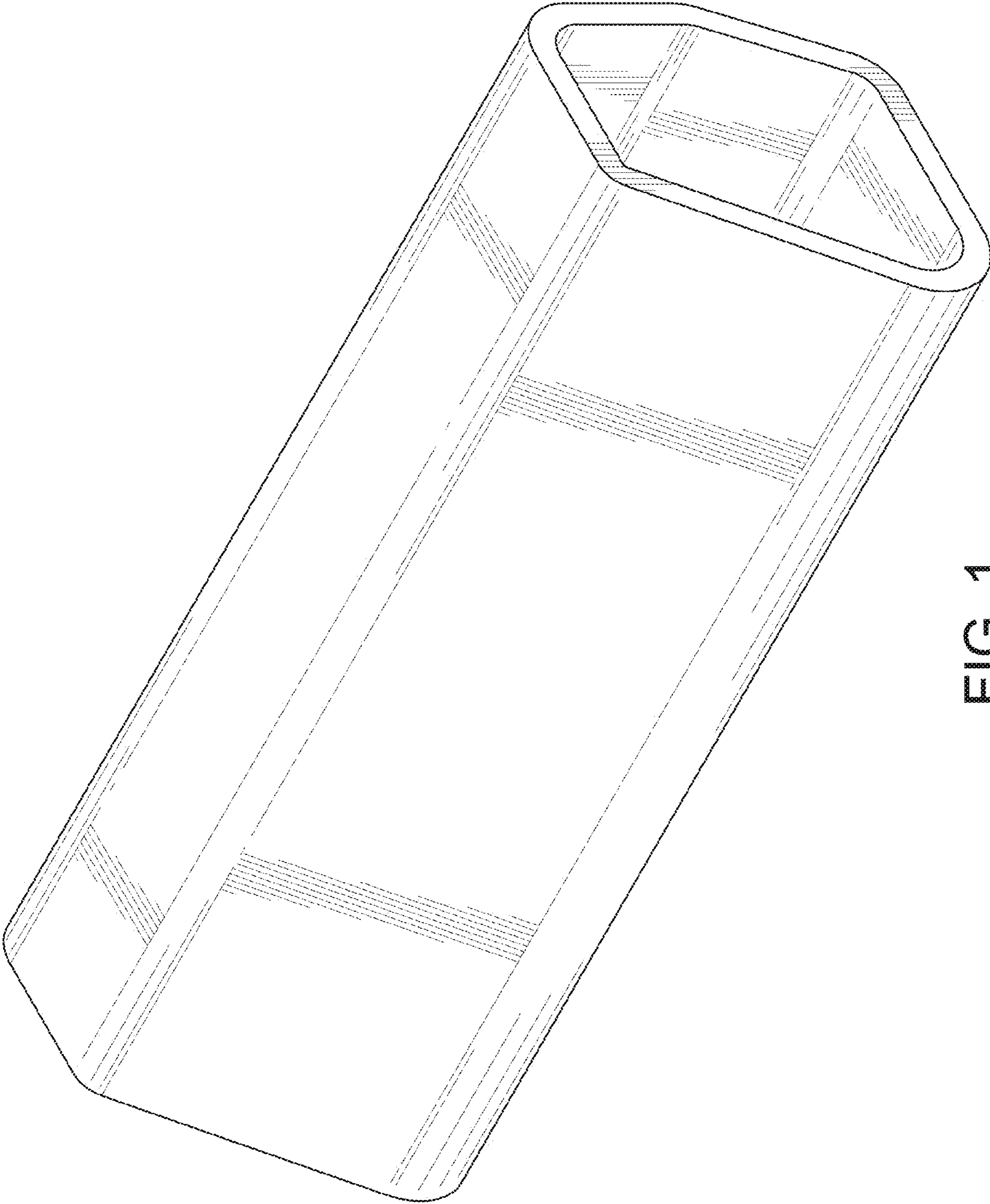


FIG. 1

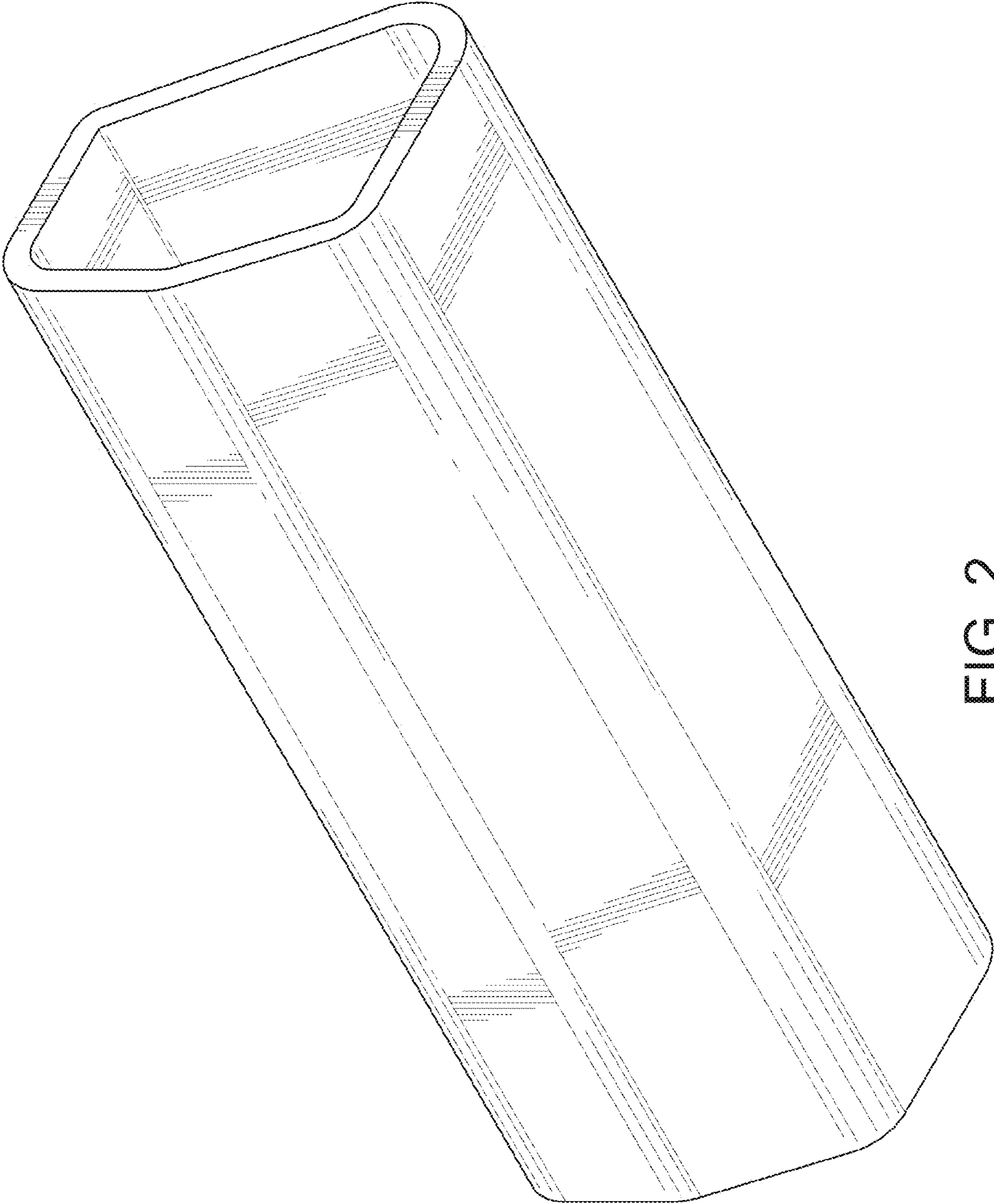


FIG. 2

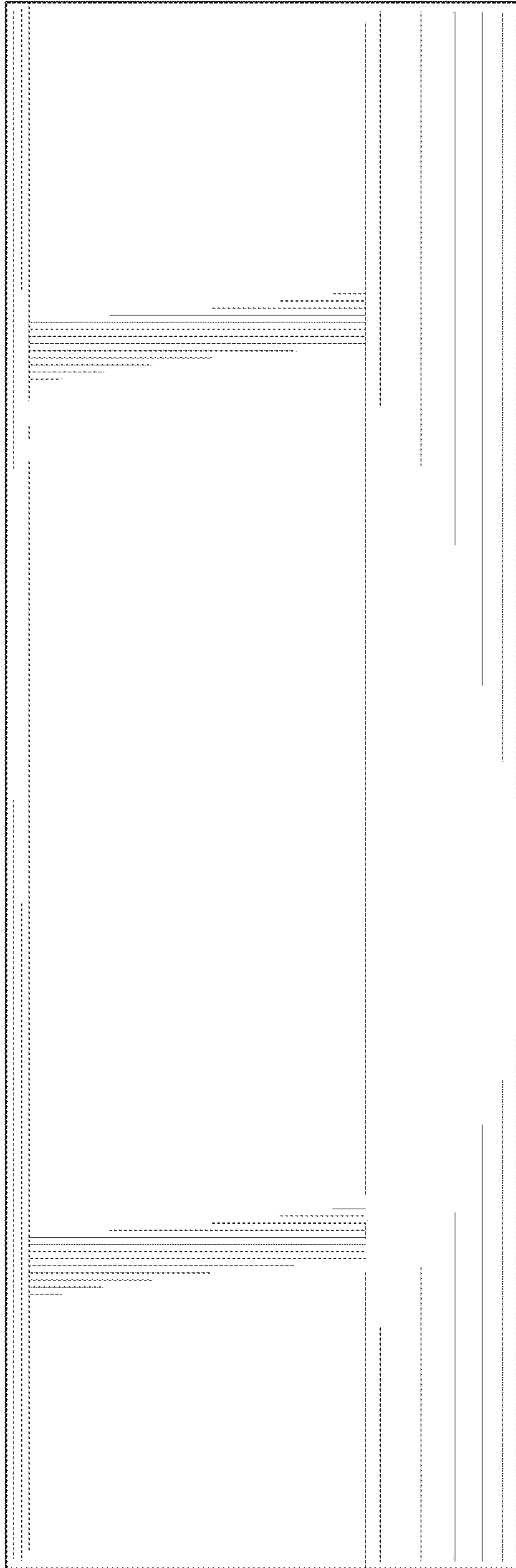


FIG. 3

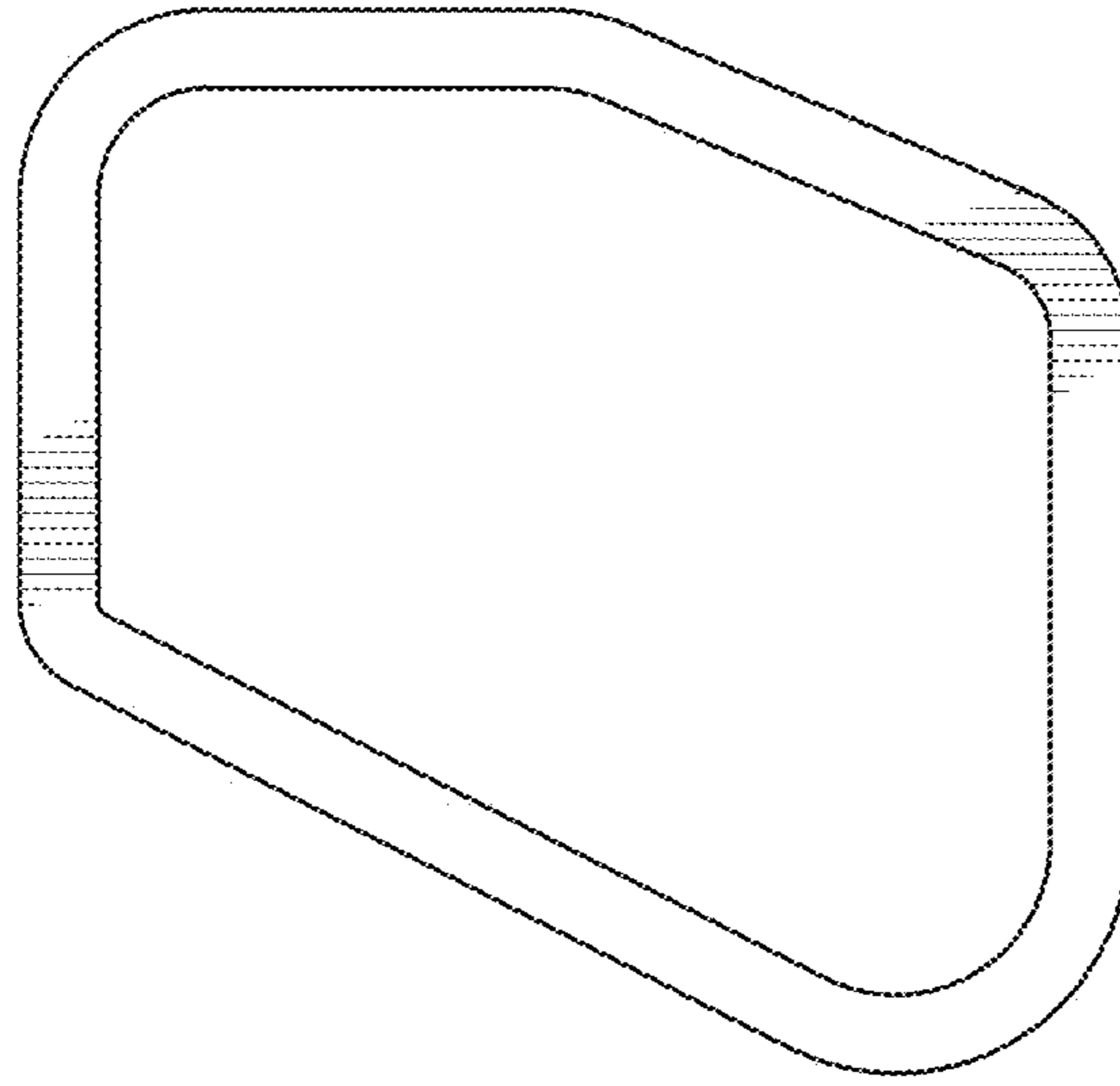


FIG. 4

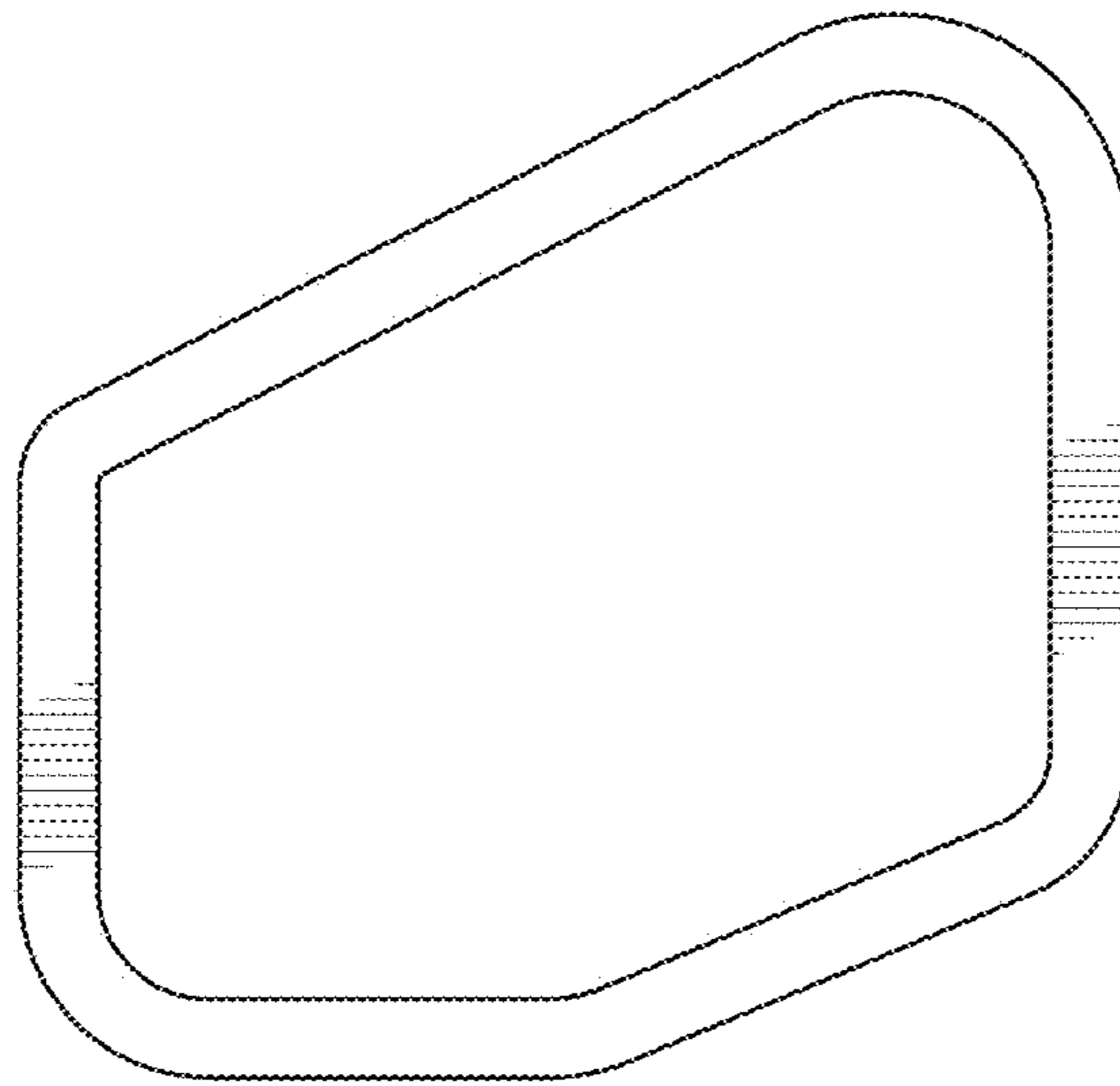


FIG. 6

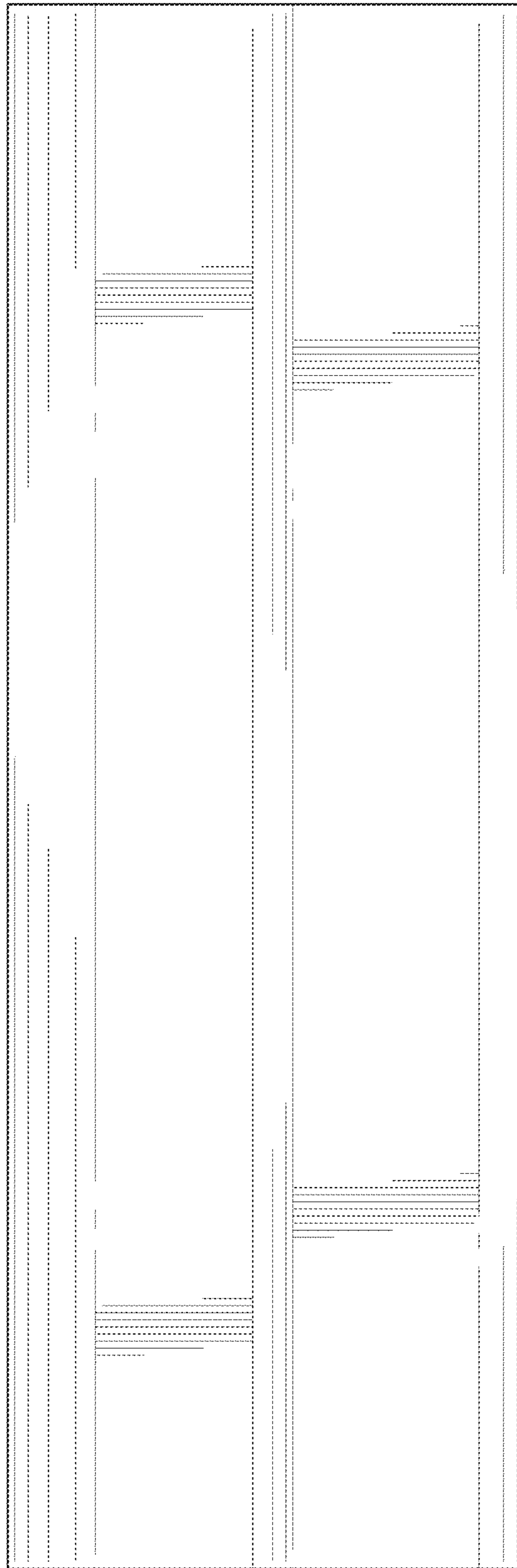


FIG. 5

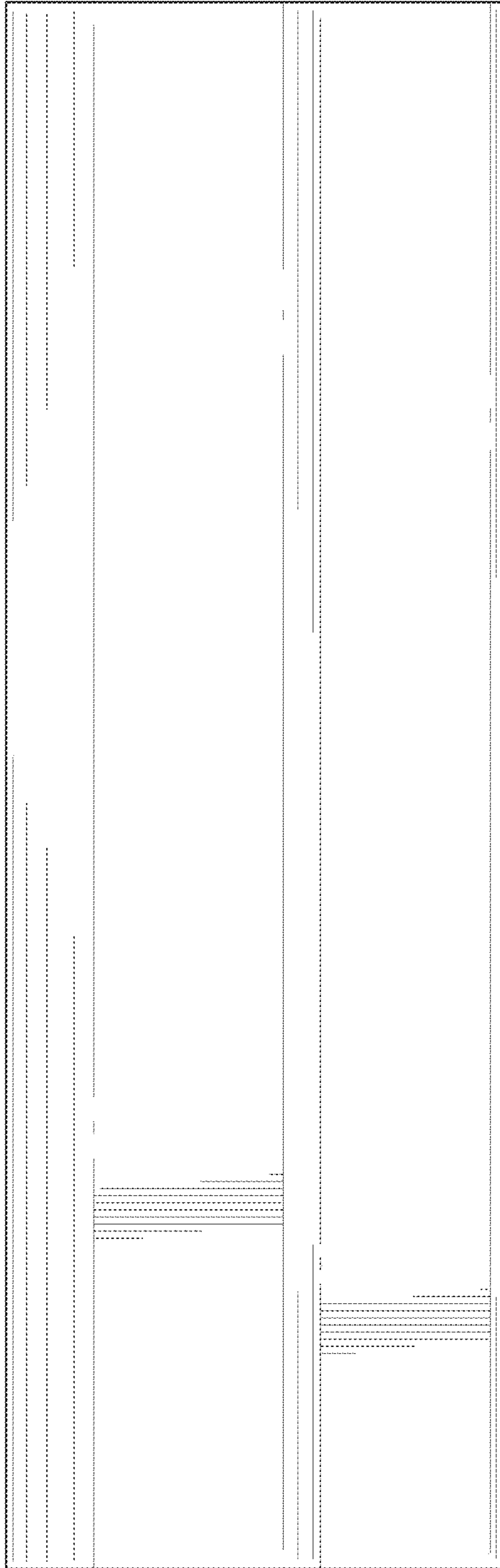


FIG. 7

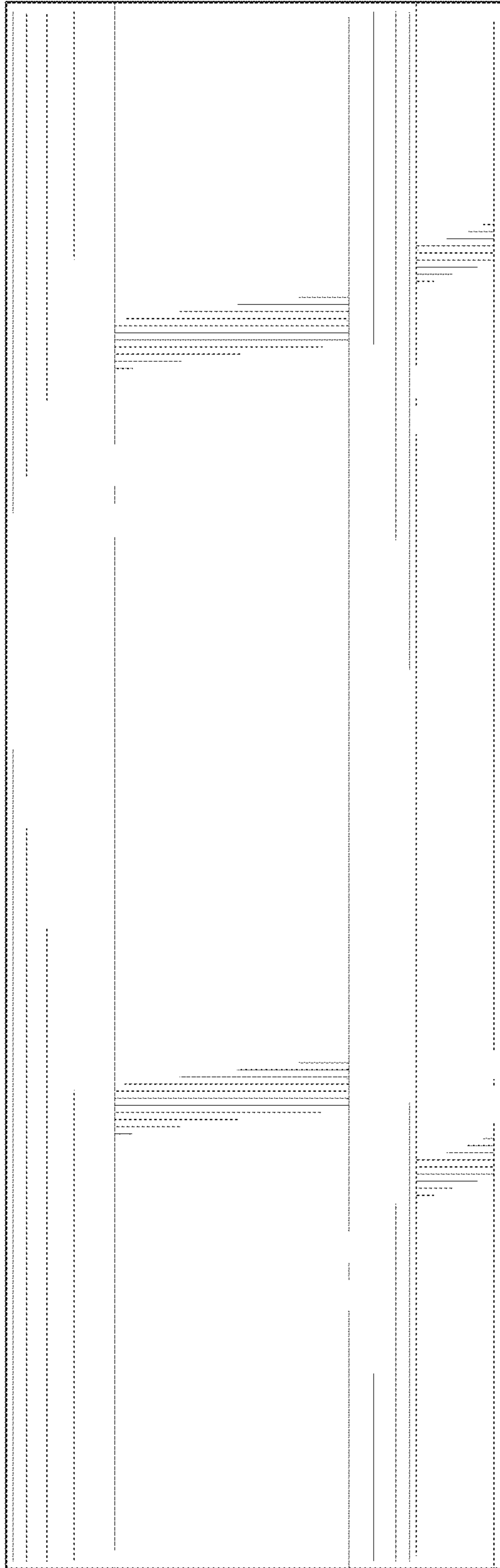


FIG. 8