



US00D988970S

(12) **United States Design Patent** (10) **Patent No.:** **US D988,970 S**  
**Eriksson et al.** (45) **Date of Patent:** **\*\* Jun. 13, 2023**

(54) **RACK FOOT**  
(71) Applicant: **Thule Sweden AB**, Hillerstorp (SE)  
(72) Inventors: **Henrik Eriksson**, Jönköping (SE);  
**Johan Larsson**, Jönköping (SE)  
(73) Assignee: **Thule Sweden AB**, Hillerstorp (SE)  
(\*\*) Term: **15 Years**  
(21) Appl. No.: **29/852,846**  
(22) Filed: **Sep. 9, 2022**

5,104,020 A 4/1992 Arvidsson et al.  
5,190,198 A 3/1993 Cucheran  
D406,095 S 2/1999 Denny et al.  
6,182,876 B1 2/2001 Moliner  
6,419,134 B1 7/2002 Grimm et al.  
D495,654 S 9/2004 Elwell et al.  
D499,372 S 12/2004 Andersson  
7,434,713 B2 10/2008 Linden  
7,757,914 B2 7/2010 Book et al.  
D642,113 S \* 7/2011 Farber ..... D12/414  
D694,170 S \* 11/2013 Eriksson ..... D12/414  
D695,206 S \* 12/2013 Eriksson ..... D12/414  
D709,818 S 7/2014 Zhang

(Continued)

**Related U.S. Application Data**

(63) Continuation of application No. 29/734,693, filed on May 14, 2020, now Pat. No. Des. 966,172, which is a continuation of application No. 29/653,568, filed on Jun. 15, 2018, now Pat. No. Des. 885,304.  
(51) **LOC (14) Cl.** ..... **12-16**  
(52) **U.S. Cl.**  
USPC ..... **D12/414**  
(58) **Field of Classification Search**  
USPC ..... D12/406-414; D32/35, 58; D6/513-514,  
D6/317-319  
CPC ..... B62J 9/003; B62J 7/06; B62J 9/001  
See application file for complete search history.

**References Cited**

**U.S. PATENT DOCUMENTS**

D266,836 S 11/1982 Ingram  
D267,087 S 11/1982 Ingram  
D273,187 S 3/1984 Brorsson  
D276,989 S 1/1985 Whitney  
D294,340 S 2/1988 Robson  
D297,628 S 9/1988 Robson  
D317,744 S 6/1991 Bott  
D320,971 S 10/1991 Sparham et al.  
D321,496 S 11/1991 Sparham et al.

**FOREIGN PATENT DOCUMENTS**

BR D16502197-0001 8/2005  
CN 301976325 7/2012

(Continued)

*Primary Examiner* — Katrina A Betton  
(74) *Attorney, Agent, or Firm* — Sterne, Kessler,  
Goldstein & Fox P.L.L.C.

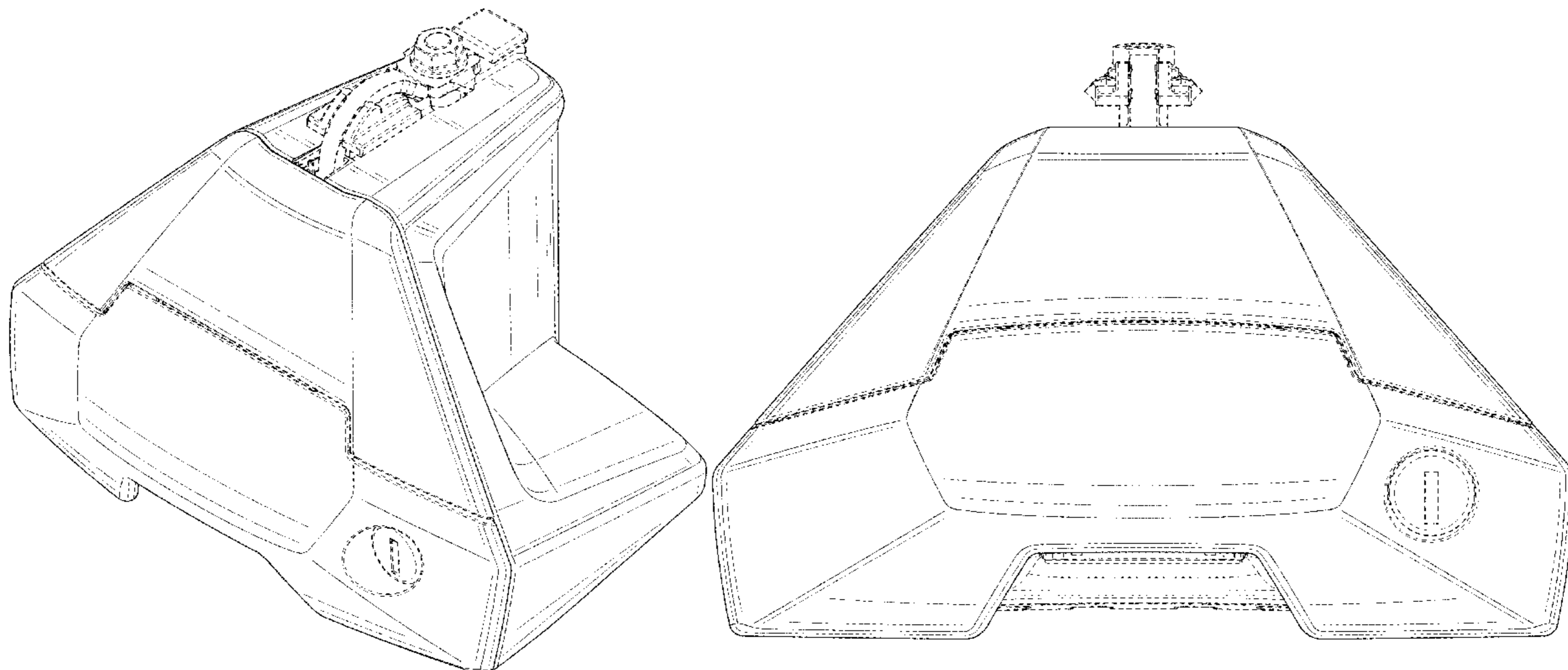
(57) **CLAIM**

The ornamental design for a rack foot, as shown and described.

**DESCRIPTION**

FIG. 1 is a top front perspective view of a rack foot showing the claimed design;  
FIG. 2 is a front view thereof;  
FIG. 3 is a rear view thereof;  
FIG. 4 is a right side view thereof;  
FIG. 5 is a left side view thereof;  
FIG. 6 is a top view thereof;  
FIG. 7 is a bottom view thereof; and,  
FIG. 8 is a bottom rear perspective view thereof.  
The broken lines in the figures show portions of the rack foot that form no part of the claimed design.

**1 Claim, 8 Drawing Sheets**



(56)

References Cited

U.S. PATENT DOCUMENTS

10,220,792 B2 3/2019 Ziraldo  
 10,358,096 B2 7/2019 Bergman  
 10,391,946 B2 8/2019 Sandberg et al.  
 D867,262 S \* 11/2019 Eriksson ..... D12/412  
 10,486,618 B2 11/2019 Hornsby et al.  
 D869,378 S 12/2019 Hornsby et al.  
 D874,384 S 2/2020 Salsi et al.  
 D885,304 S 5/2020 Eriksson et al.  
 D895,529 S \* 9/2020 Chang ..... D12/412  
 D906,225 S 12/2020 Eriksson et al.  
 D908,071 S \* 1/2021 Connellan ..... D12/412  
 D908,072 S \* 1/2021 Connellan ..... D12/412  
 D929,930 S \* 9/2021 Park ..... D12/406  
 D966,172 S \* 10/2022 Eriksson ..... D12/414  
 D969,723 S \* 11/2022 Andreasson ..... D12/412  
 D978,060 S \* 2/2023 Yang ..... D12/412  
 2005/0051684 A1 3/2005 Linden  
 2007/0108243 A1 5/2007 Bingham  
 2010/0282799 A1 11/2010 Hubbard  
 2011/0315726 A1 12/2011 Huhn et al.  
 2012/0241486 A1 9/2012 Shen  
 2014/0183235 A1 7/2014 Hubbard  
 2015/0122857 A1 5/2015 Ferman et al.

2015/0129625 A1 5/2015 Gorey et al.  
 2015/0151686 A1 6/2015 Chang  
 2015/0232038 A1\* 8/2015 Robertson ..... B60R 9/052  
 224/325  
 2015/0274084 A1\* 10/2015 Sargès ..... B60R 9/045  
 224/315  
 2016/0362055 A1 12/2016 McFadden  
 2016/0362063 A1 12/2016 McFadden et al.  
 2018/0170270 A1 6/2018 Bergman  
 2021/0155165 A1 5/2021 Larsson et al.  
 2021/0170953 A1 6/2021 Nydam et al.  
 2021/0268968 A1 9/2021 Olaison et al.

FOREIGN PATENT DOCUMENTS

CN	304487792	2/2018
JP	D1484325	11/2013
NZ	425506-0001	3/2019
NZ	429497-0001	11/2021
RU	00103593	5/2017
TW	200020-0001	10/2019
TW	200021-0001	10/2019
TW	201801-0001	1/2020
TW	201802-0001	1/2020
TW	201803-0001	1/2020

\* cited by examiner

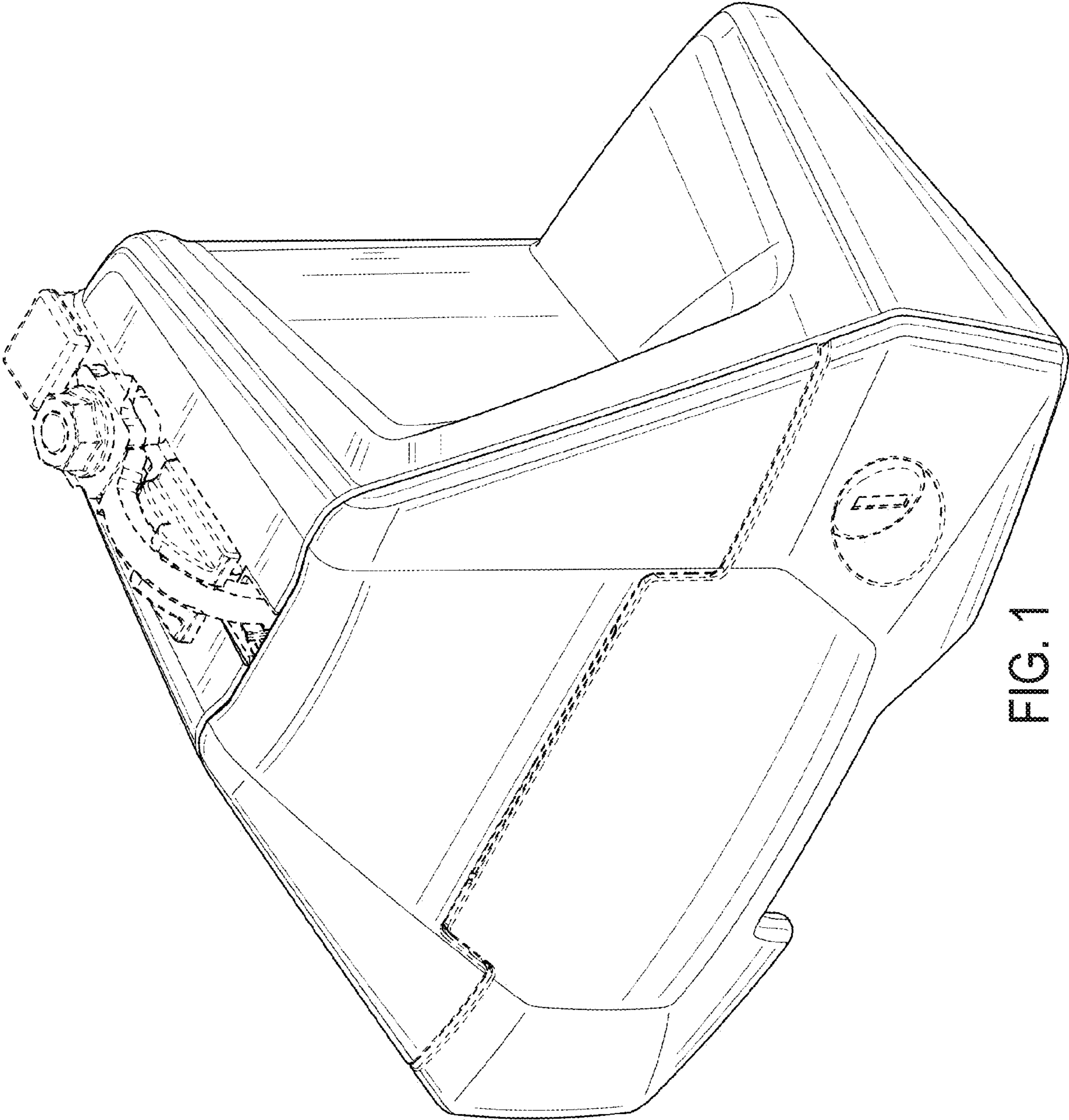


FIG. 1



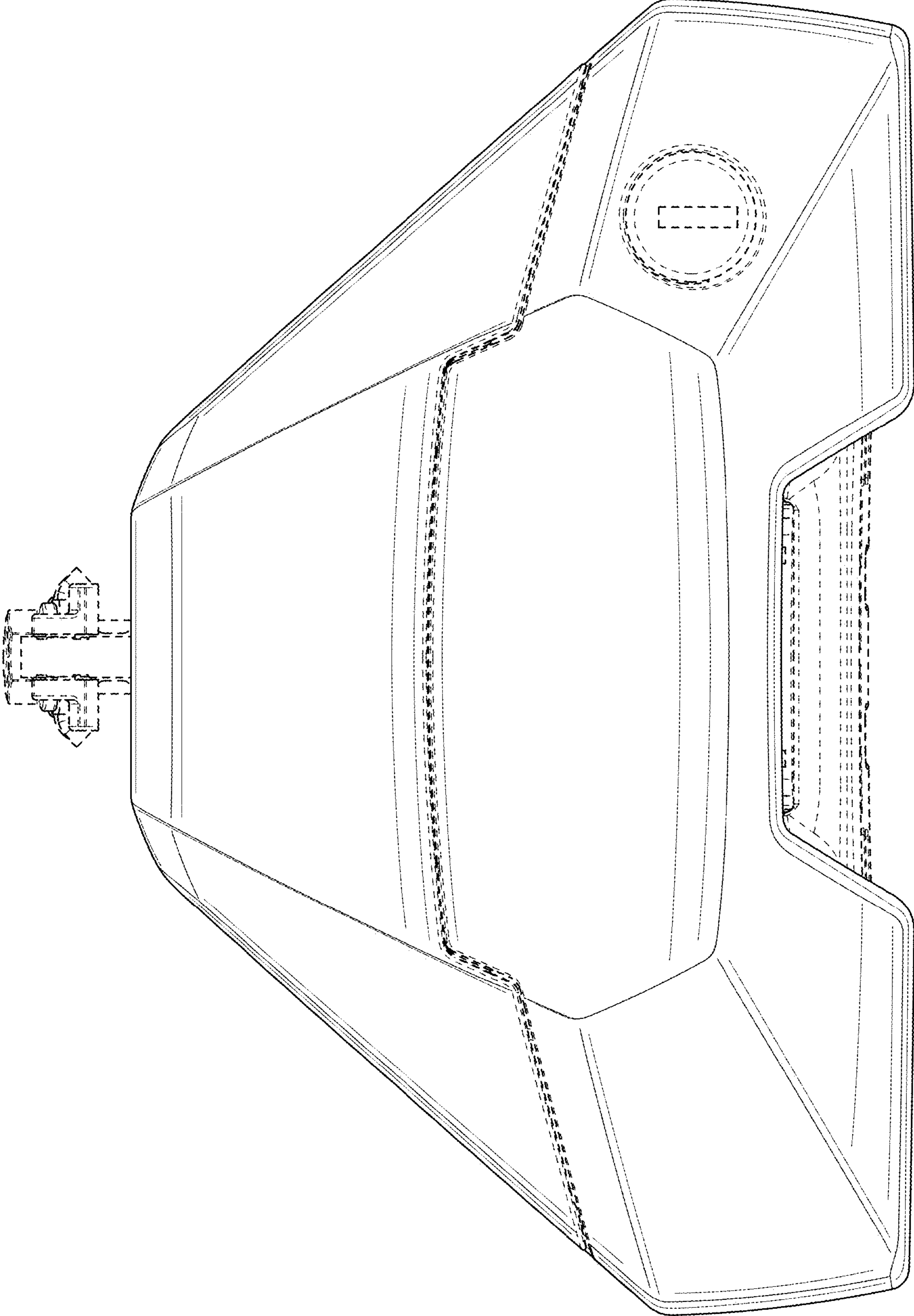


FIG. 2

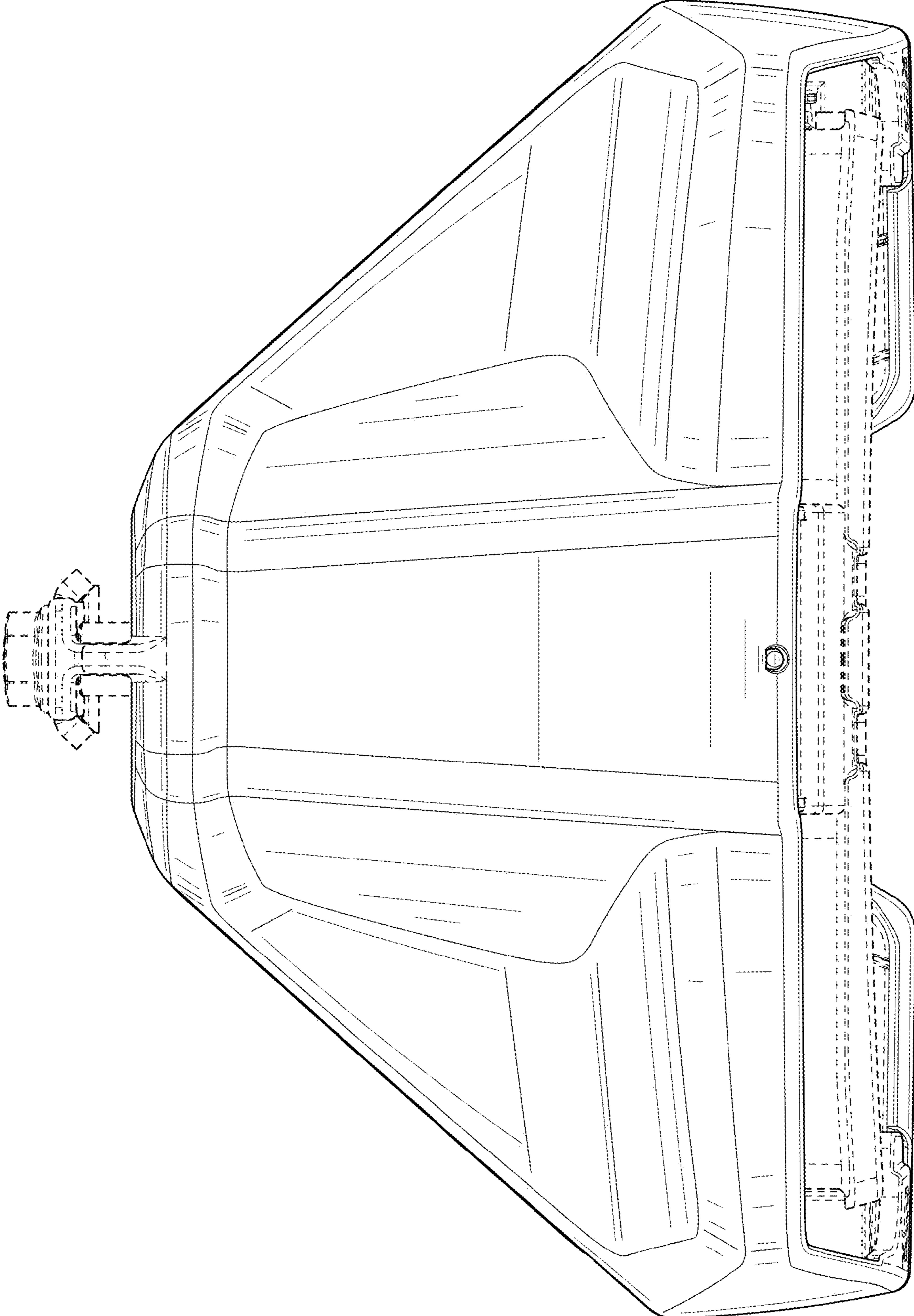


FIG. 3

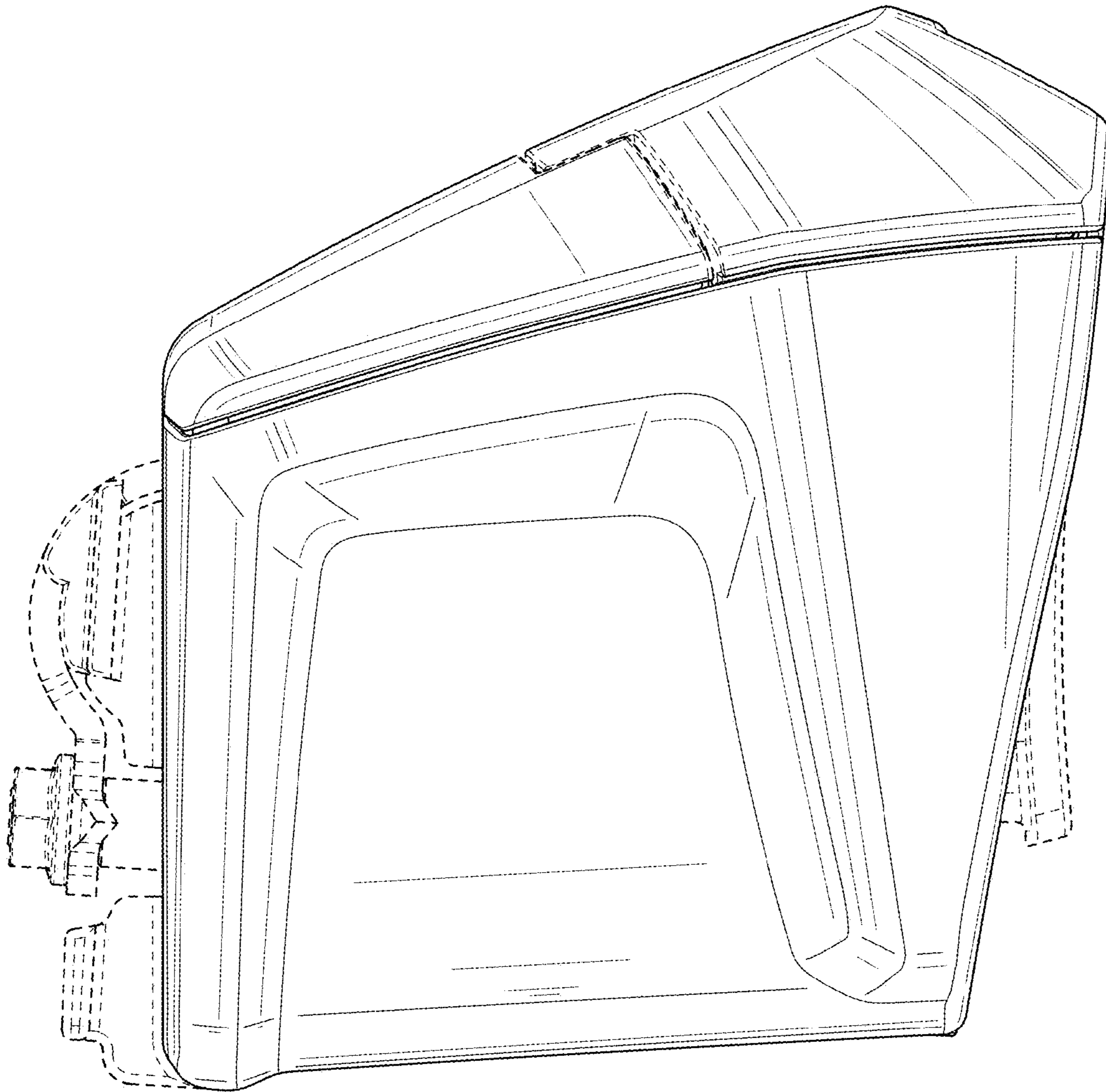


FIG. 4

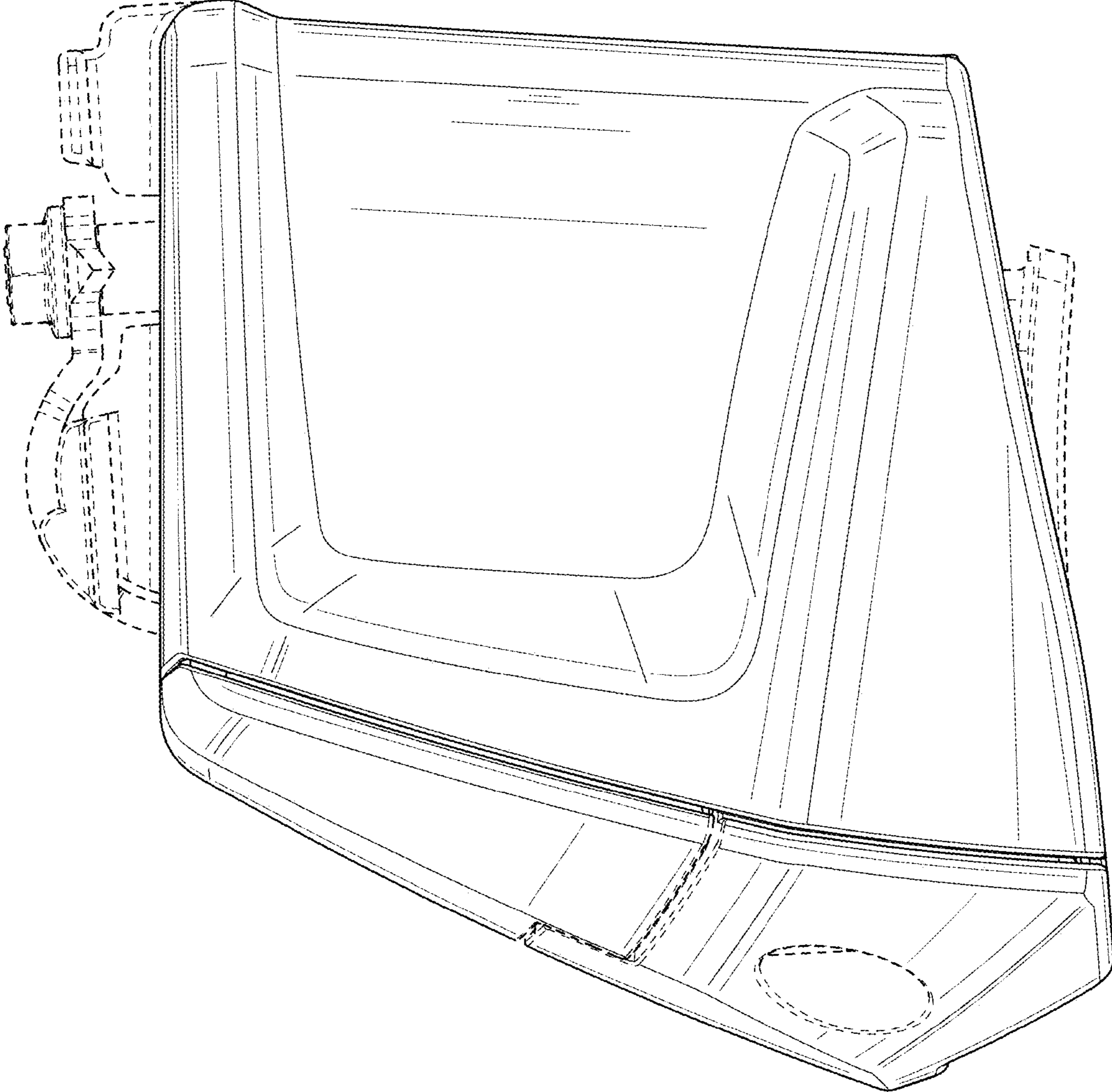


FIG. 5



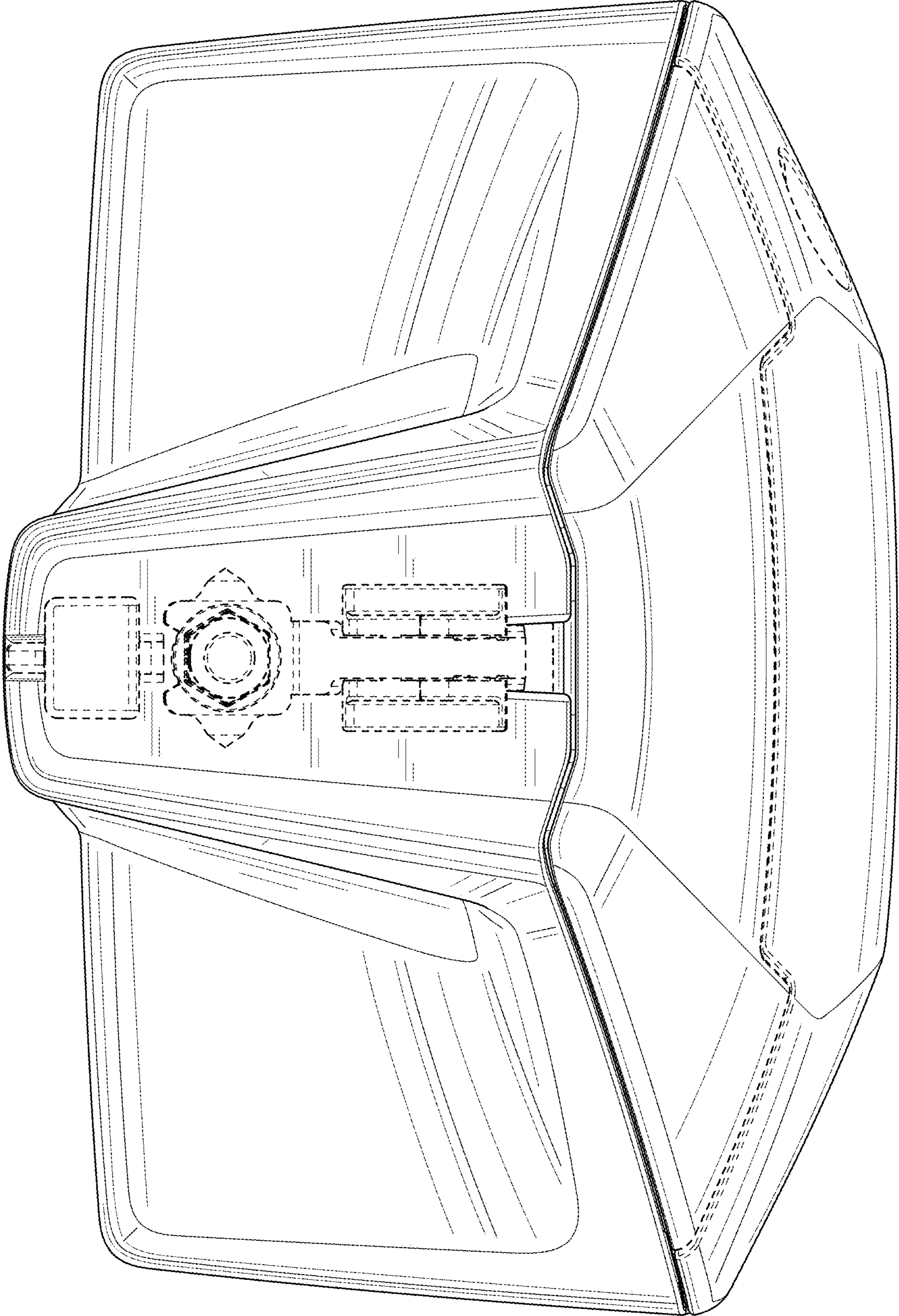


FIG. 6



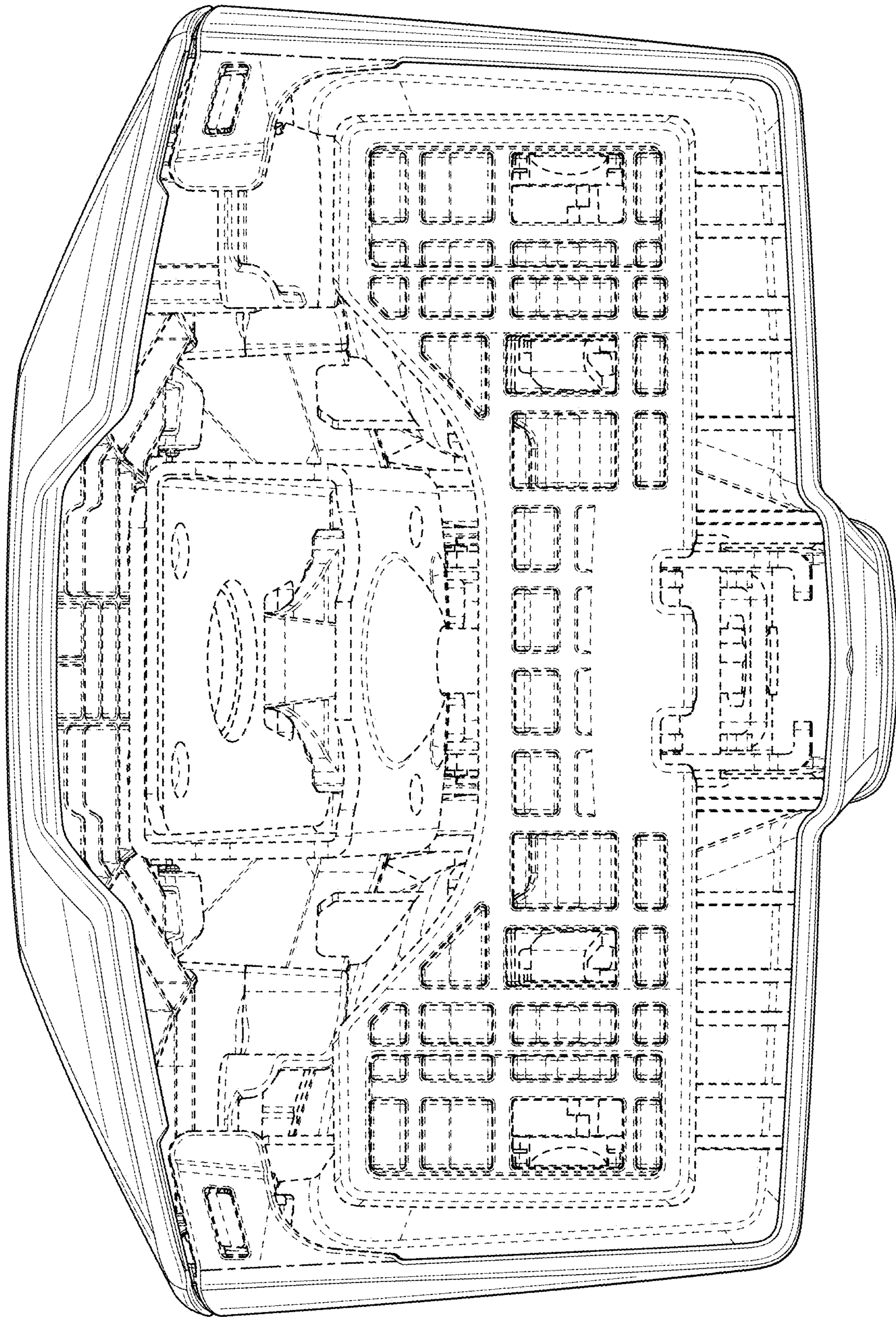


FIG. 7

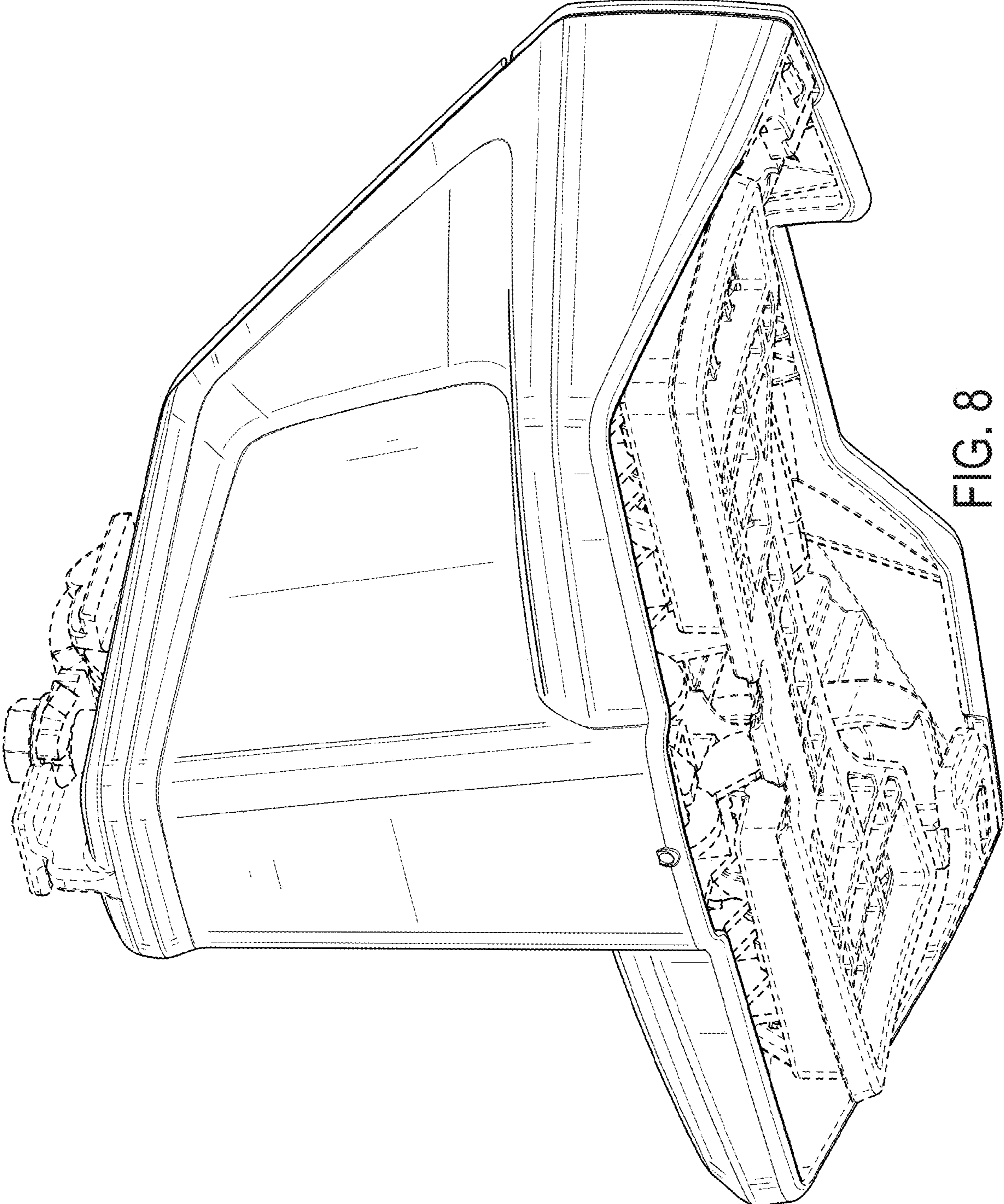


FIG. 8