



US00D988968S

(12) **United States Design Patent** (10) **Patent No.:** **US D988,968 S**
Parteko et al. (45) **Date of Patent:** **** Jun. 13, 2023**

(54) **FURNITURE FOR MARINE VESSEL**

FOREIGN PATENT DOCUMENTS

(71) Applicant: **Brunswick Corporation**, Mettawa, IL (US)

CN 304596568 * 4/2018
EM 008487250-0003 * 4/2021

(Continued)

(72) Inventors: **Rachel Parteko**, Ossian, IN (US);
Rostislav T. Kucher, Bartlett, IL (US);
Jacob M. Oswalt, Bluffton, IN (US)

OTHER PUBLICATIONS

(73) Assignee: **BRUNSWICK CORPORATION**, Mettawa, IL (US)

Pontoon Boat Seats (CG1843), available in PontoonStuff.com, announced Year 2021 [online], [site visited Dec. 22, 2022], Internet URL: <https://www.pontoonstuff.com/collections/classic-pontoon-furniture-packages/products/pontoon-boat-seats-cg1843>.*

(Continued)

(**) Term: **15 Years**

Primary Examiner — Darlington Ly

(21) Appl. No.: **29/782,329**

Assistant Examiner — D. Ryan Tisdale

(22) Filed: **May 6, 2021**

(74) *Attorney, Agent, or Firm* — Andrus Intellectual Property Law, LLP

(51) **LOC (14) Cl.** **12-06**

(52) **U.S. Cl.**
USPC **D12/317**

(57) **CLAIM**

(58) **Field of Classification Search**
USPC D12/300, 302–304, 306–307, 310–318,
D12/400, 415, 419; D6/360–361, 553,
D6/555, 574, 641, 648, 661–662, 675,
D6/675.1, 675.2, 675.5, 694, 707.19, 719;
D19/92; D7/620, 701, 707
CPC B63B 34/00; B63B 34/05; B63B 34/10;
B63B 34/23; B63B 34/26; B63B
2035/002; B63B 2035/004; B63B
2035/009; B63B 7/00; B63B 7/04; B63B
7/06; B63B 32/00; B63B 32/77; B63B
32/83; B63B 2029/043; B63B 2029/046;
B63B 29/00; B63B 29/02;

The ornamental design for a furniture for marine vessel, as shown and described.

DESCRIPTION

(56) **References Cited**

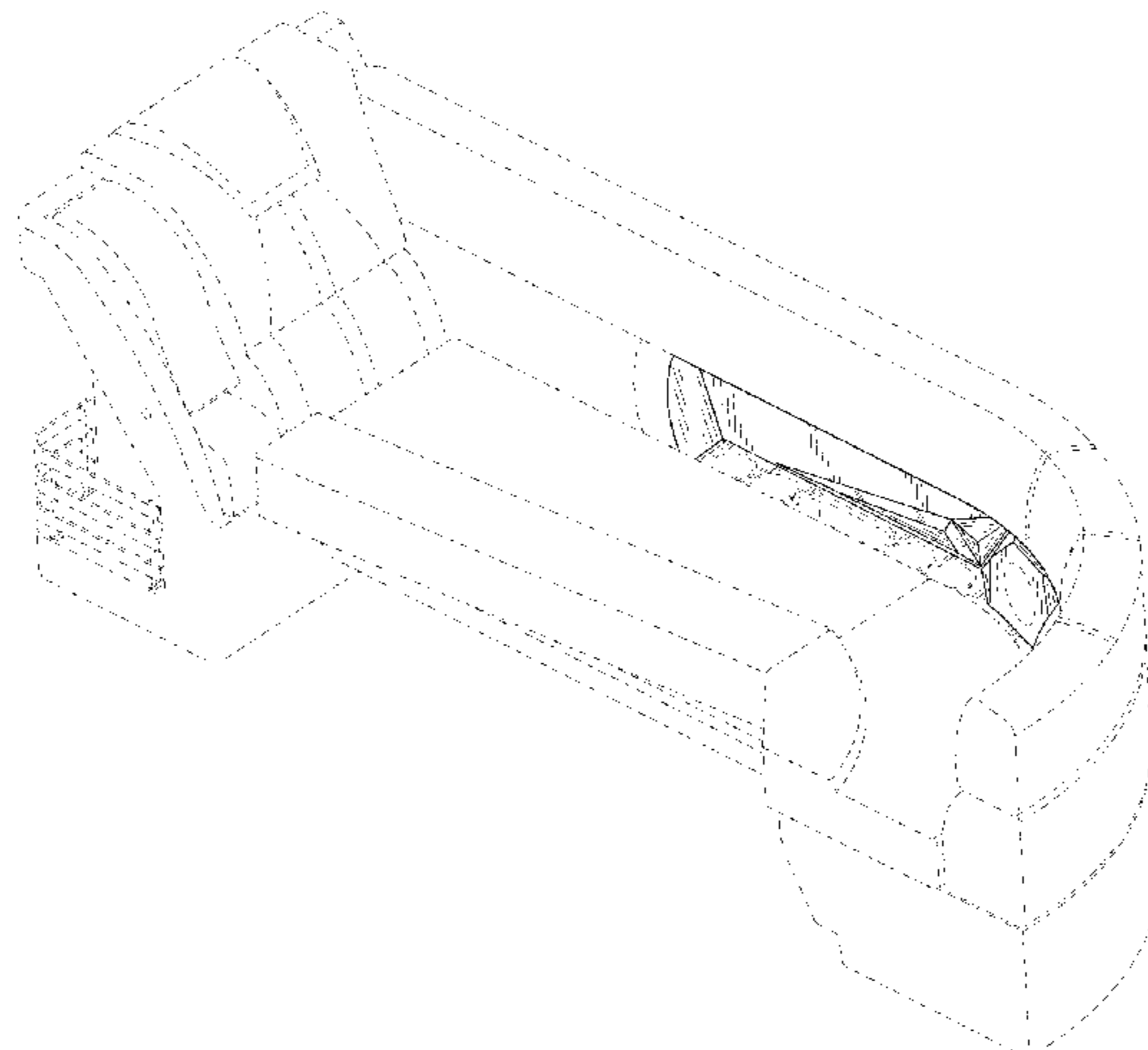
U.S. PATENT DOCUMENTS

D127,563 S 6/1941 Cloutier
3,804,233 A 4/1974 Gregg

(Continued)

FIG. 1 is a side perspective view from the front of a first embodiment of furniture for a marine vessel according to our new design;
FIG. 2 is a side perspective view from the back thereof;
FIG. 3 is a top perspective view from the side thereof;
FIG. 4 is a top plan view thereof;
FIG. 5 is a side elevation view thereof;
FIG. 6 is a side perspective view from the front of a second embodiment of furniture for a marine vessel according to our new design, which is a mirror image of the first embodiment;
FIG. 7 is a side perspective view from the back thereof;
FIG. 8 is top perspective view from the side thereof;
FIG. 9 is a top plan view thereof; and,
FIG. 10 is a side elevation view thereof.

(Continued)



The broken lines in the figures illustrate portions of the furniture for a marine vessel that form no part of the claimed design.

1 Claim, 8 Drawing Sheets

(58) **Field of Classification Search**

CPC B63B 29/04; B63B 17/00; B63B 35/00;
A47B 13/00; A47B 13/08; B63H 16/00;
B63H 16/12; B63H 7/00; B63H 9/04;
B63H 11/00; B60N 3/00; B60N 3/10;
B60N 3/101; B60R 11/00; A47G 23/0208

See application file for complete search history.

(56) **References Cited**

U.S. PATENT DOCUMENTS

D255,310	S	6/1980	Spencer	
D272,486	S	2/1984	Benedetti	
D289,950	S *	5/1987	Offredi	D6/381
D299,287	S	1/1989	Gertler	
D327,743	S *	7/1992	Frenkel et al.	
5,988,749	A	11/1999	Williams	
6,059,364	A *	5/2000	Dryburgh	B64D 11/06395 244/118.6
D430,090	S	8/2000	Walterscheid et al.	
D547,967	S *	8/2007	Oldham	D6/381
D576,820	S *	9/2008	Priestman	D12/345
D627,567	S	11/2010	Sylvain	
D686,784	S	7/2013	Elliott et al.	
8,517,466	B1 *	8/2013	Wizorek	B63B 29/04 297/118
D699,085	S	2/2014	Reid, Jr.	
D708,451	S *	7/2014	Gashcy	D6/378
D735,636	S	8/2015	Wragg	
9,272,651	B1 *	3/2016	Maya	B60N 3/102
D777,528	S	1/2017	Landphere	
D793,948	S	8/2017	Nunez et al.	
D807,129	S	1/2018	Martinez	
D823,654	S	7/2018	Harris	
D824,736	S	8/2018	Yang	
D897,791	S	10/2020	Wesley	
10,940,784	B1 *	3/2021	Roychoudhury	B60N 3/10
D919,545	S *	5/2021	Parteko	D12/317
D933,990	S	10/2021	Killinger	
D948,234	S	4/2022	Højfeldt	
D964,107	S *	9/2022	Bornfleth	D7/554.4
D977,406	S	2/2023	Zhou	
2007/0119855	A1 *	5/2007	Ishida	B60N 3/106 220/737
2012/0075842	A1	3/2012	Goto	

2012/0151820	A1 *	6/2012	Carroll	A01K 97/06 43/54.1
2013/0256356	A1 *	10/2013	Abro	B60N 3/101 224/571
2014/0367433	A1 *	12/2014	Rifel	B60N 3/105 220/237
2015/0238034	A1	8/2015	Faulk	
2016/0242556	A1 *	8/2016	Ray	A47B 85/06
2018/0154815	A1 *	6/2018	Karges	B60N 3/103
2019/0024970	A1	1/2019	Sapia et al.	
2019/0084475	A1 *	3/2019	Tokunaga	B60Q 3/66
2019/0359108	A1	11/2019	Han et al.	
2021/0320528	A1 *	10/2021	Kim	H02J 50/10
2022/0266951	A1 *	8/2022	Rogers	B63H 25/02

FOREIGN PATENT DOCUMENTS

GB	6072107	9/2019
RU	00038097	* 1/1994
SG	30201602330V-0001	* 4/2016

OTHER PUBLICATIONS

Pontoon Portable Dual Cupholder, announced in YouTube on Sep. 19, 2021 [online], [site visited Dec. 22, 2022], Available from the internet URL: https://www.youtube.com/watch?v=8_NyNHA6sWo.*

Starboard Cup Holder Boat To hole 30 oz Yeti, announced in YouTube on Apr. 2, 2020 [online], [site visited Dec. 22, 2022], Available from the internet URL: <https://www.youtube.com/watch?v=F2uW1MW9kHs>.*

2021 Harris Solstice 250 Pontoon, Published date unavailable (online), retrieved on Jan. 11, 2021. Retrieved from the Internet: <https://www.yachtworld.com/boats/2021/harris-solstice-250-3700252/> (Year: 2021).

2020 Harris Solstice 250 SL EC, Published on Dec. 9, 2019 (online), (retrieved on Jan. 11, 2021). Retrieved from the Internet: https://www.youtube.com/watch?v=j6fkENj8Q_E (Year 2019).

Wise Pntoon Furniture Installation Video, announced in YouTube on Jan. 9, 2018 [online], [site visited Dec. 27, 2022], Available from the internet URL: <https://www.youtube.com/watch?v=Ohx1EI3zblU>.

Deckmate Classic 30' Comer Seat Install—Pontoon Stuff Seats, announced in YouTube on Nov. 7, 2022 [online], [site visited Dec. 27, 2022], Available from the internet URL: <https://www.youtube.com/watch?v=kkSBitxB-IA>.

DeckMate Pontoon Boat Seats & Furniture, announced in YouTube on Mar. 21, 2021 [online], [site visited Dec. 27, 2022], Available from the internet URL: <https://www.youtube.com/watch?v=-oP91Jv9ULw>.

* cited by examiner

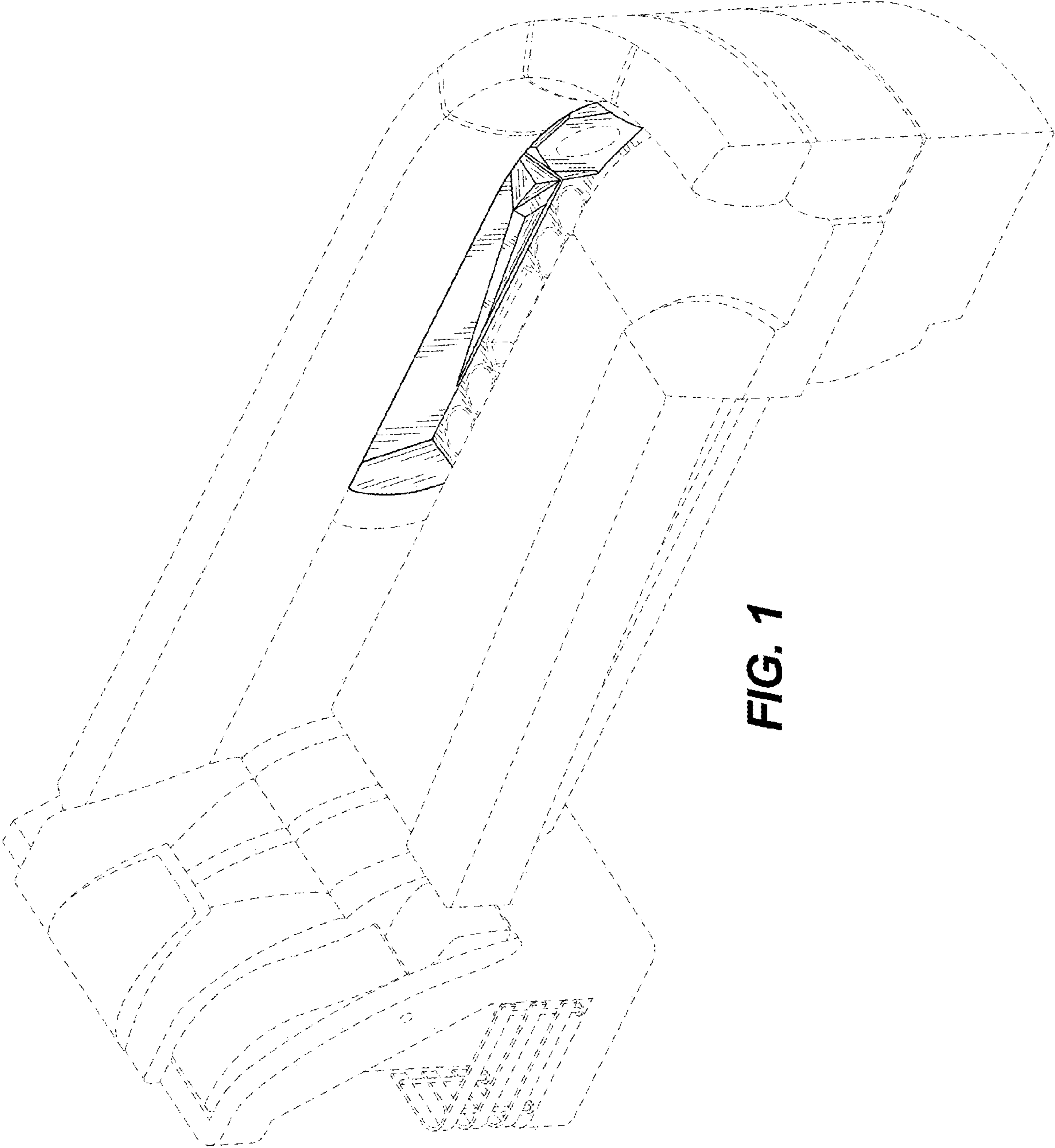


FIG. 1

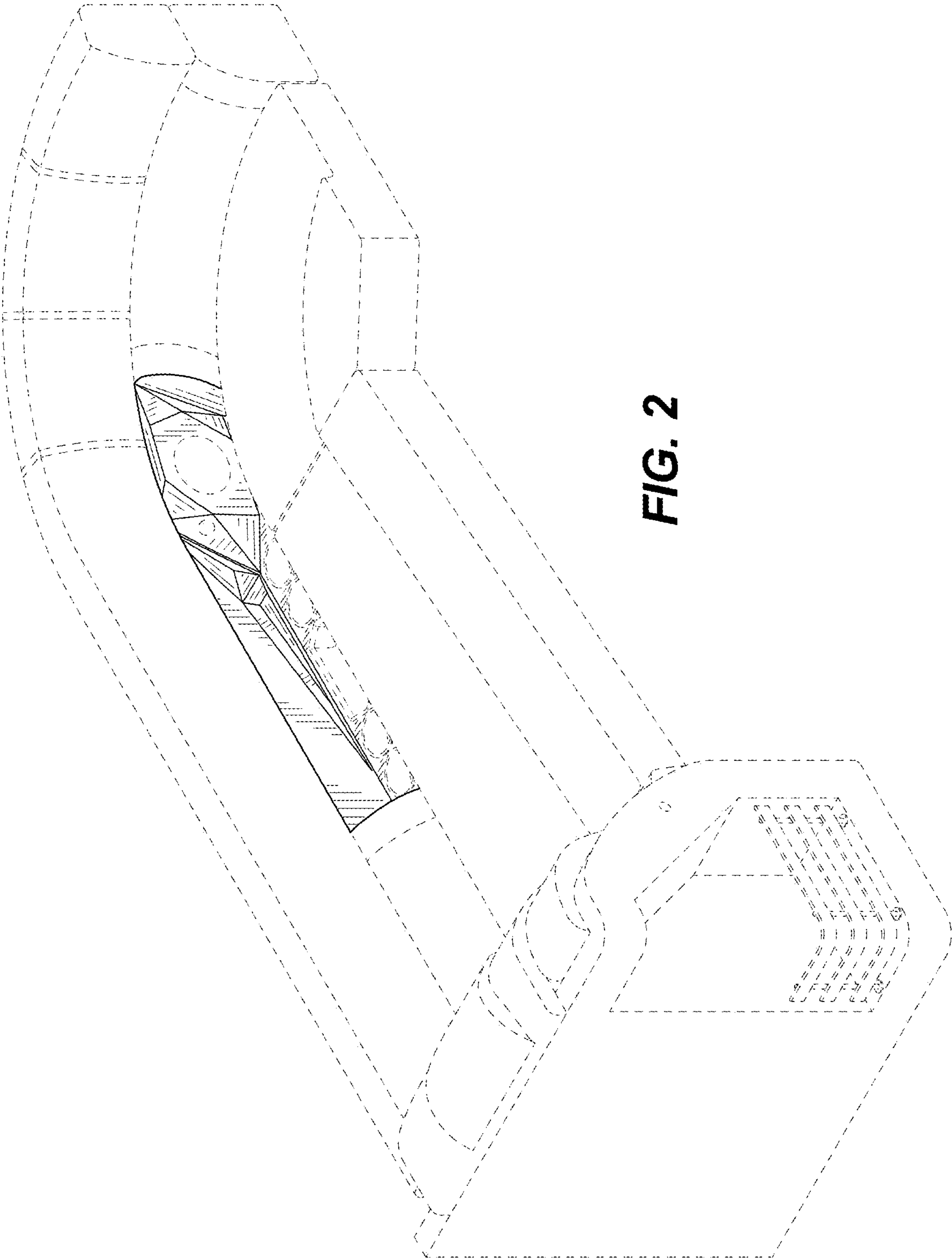


FIG. 2

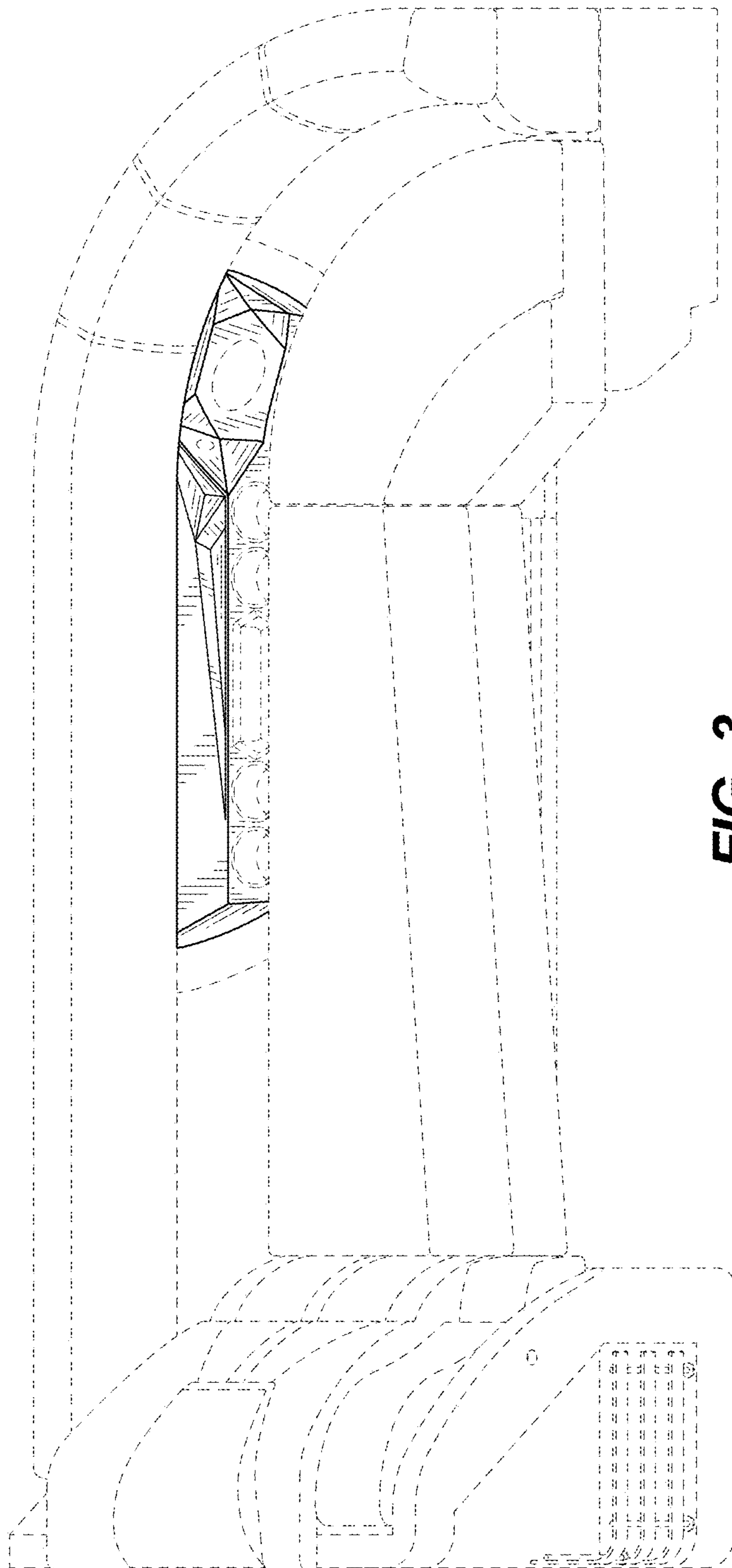


FIG. 3

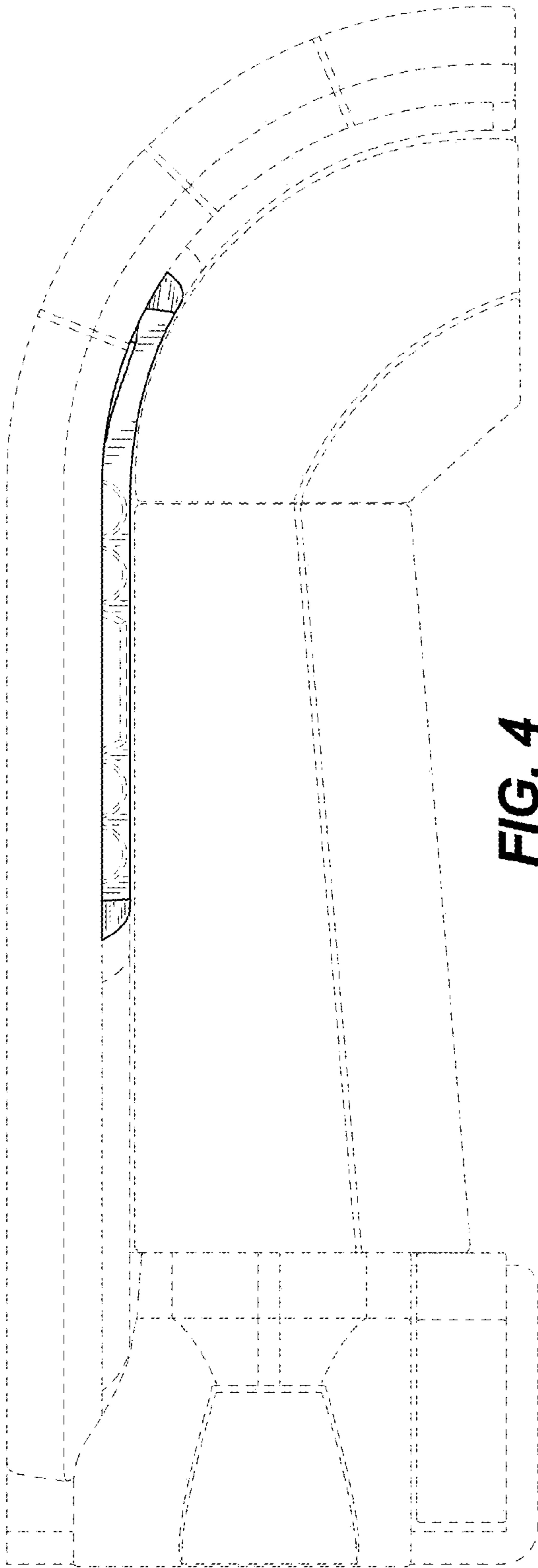


FIG. 4

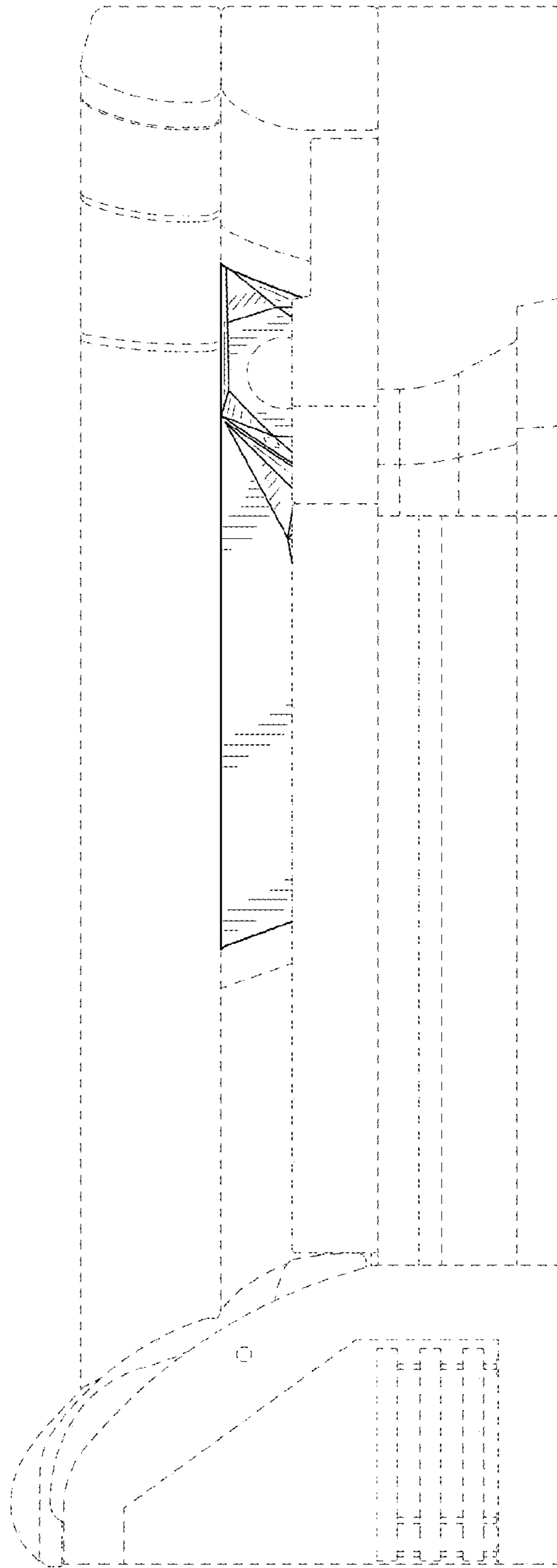


FIG. 5

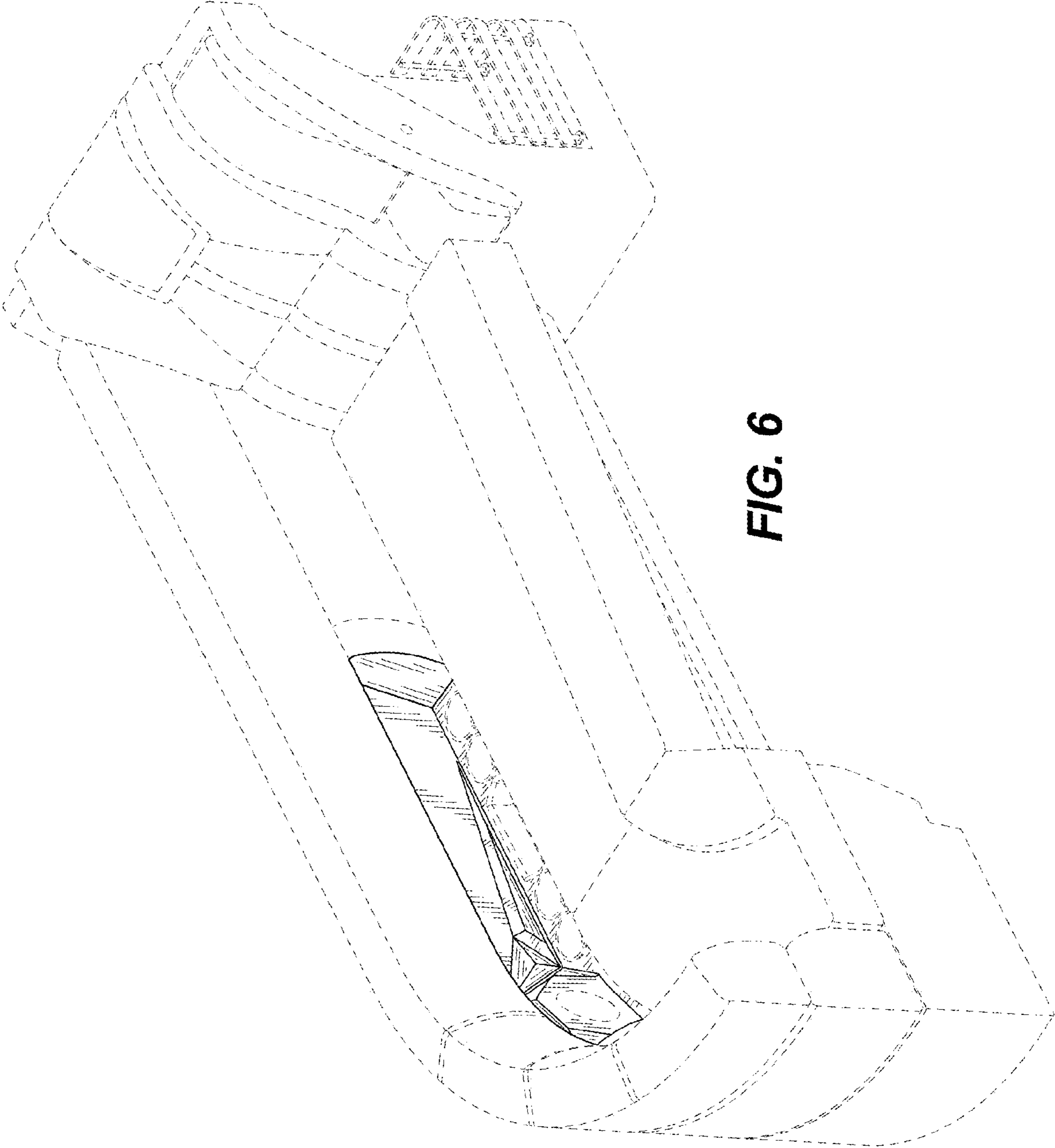


FIG. 6

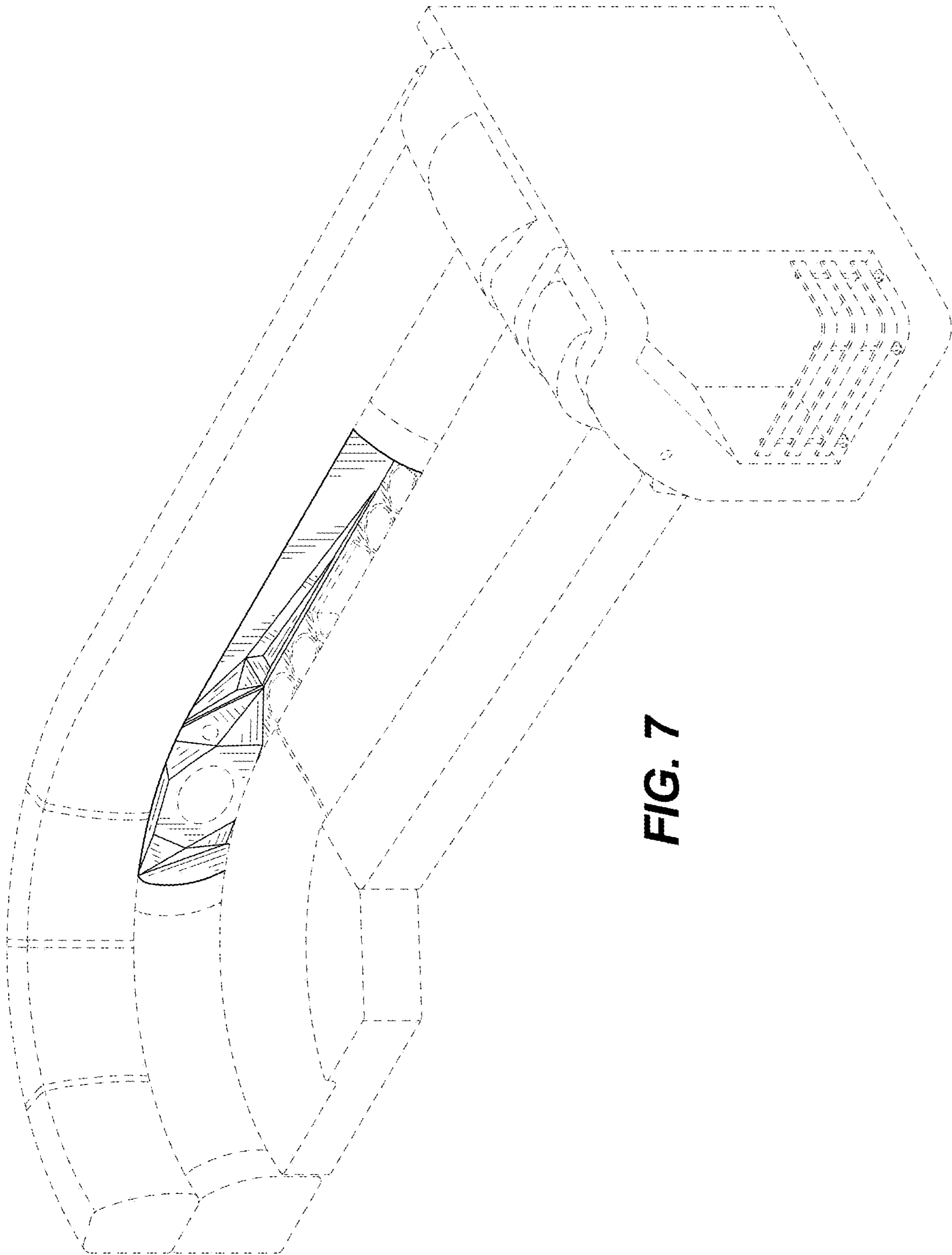


FIG. 7

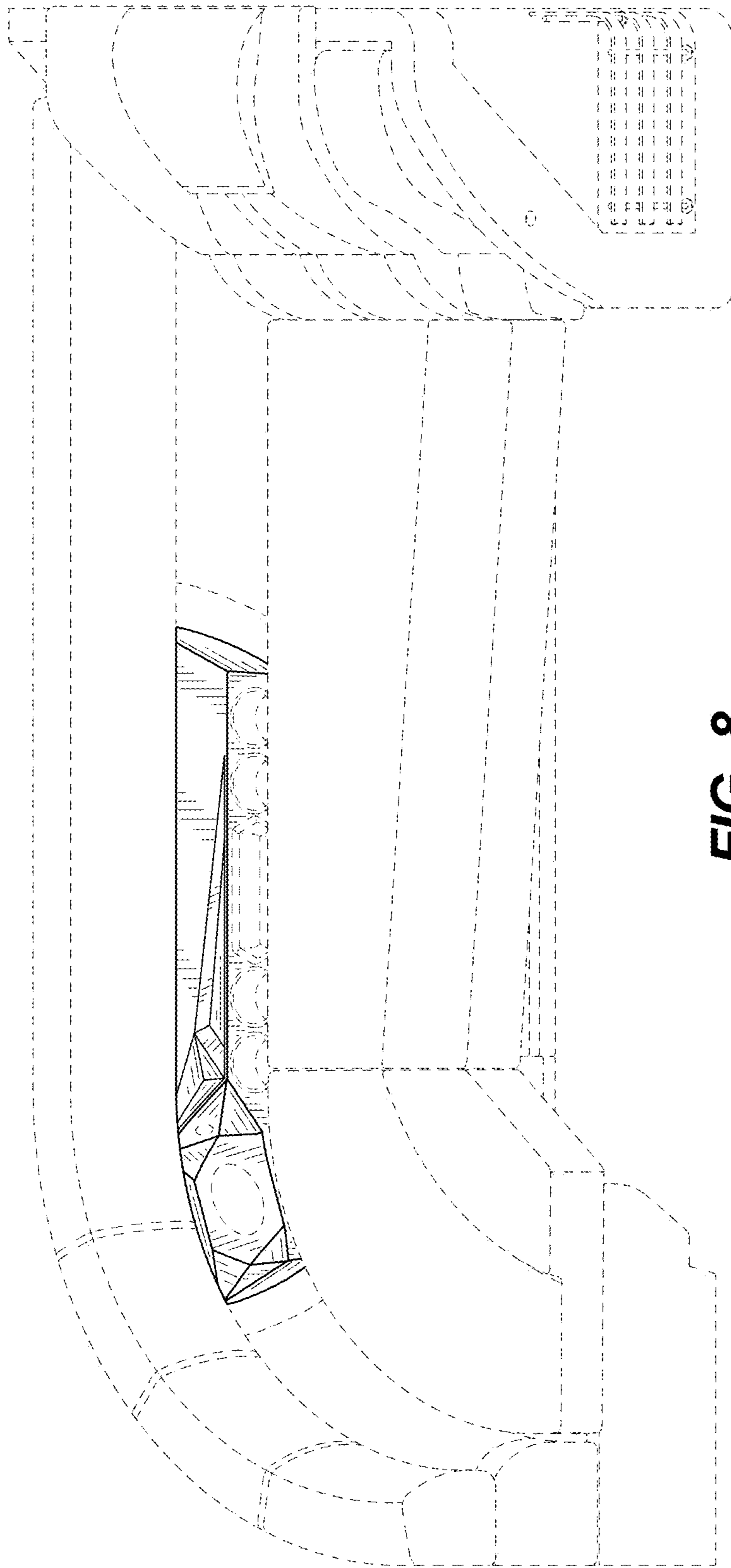


FIG. 8

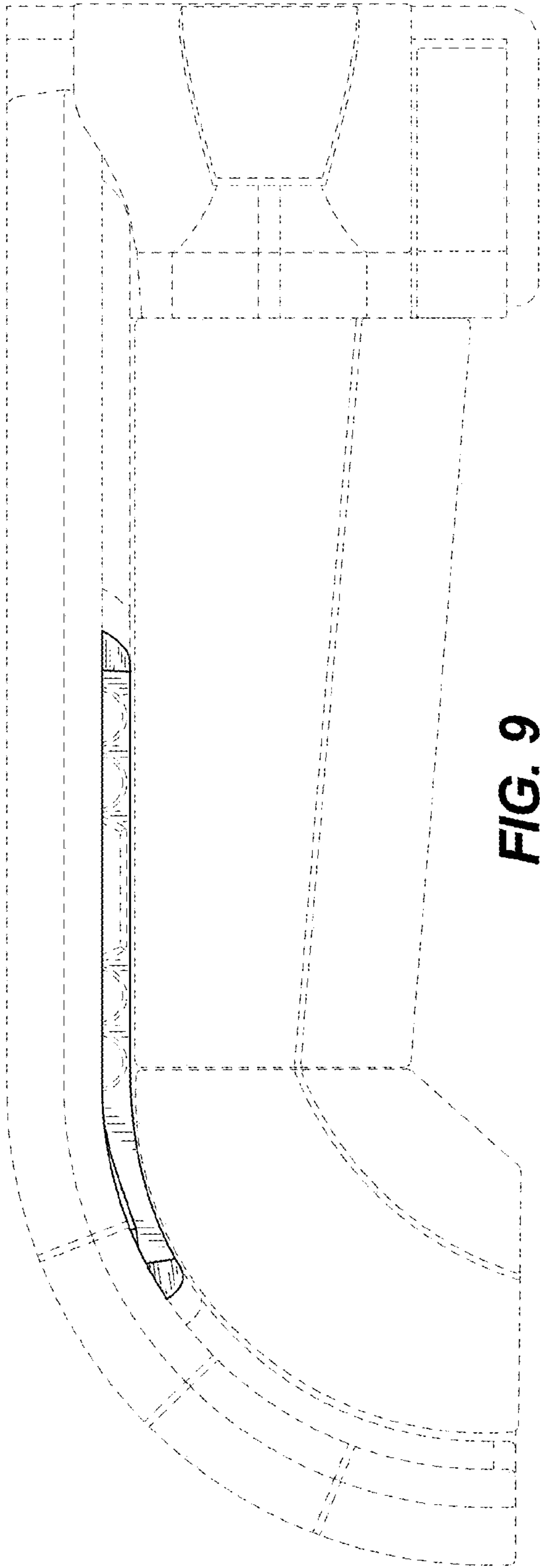


FIG. 9

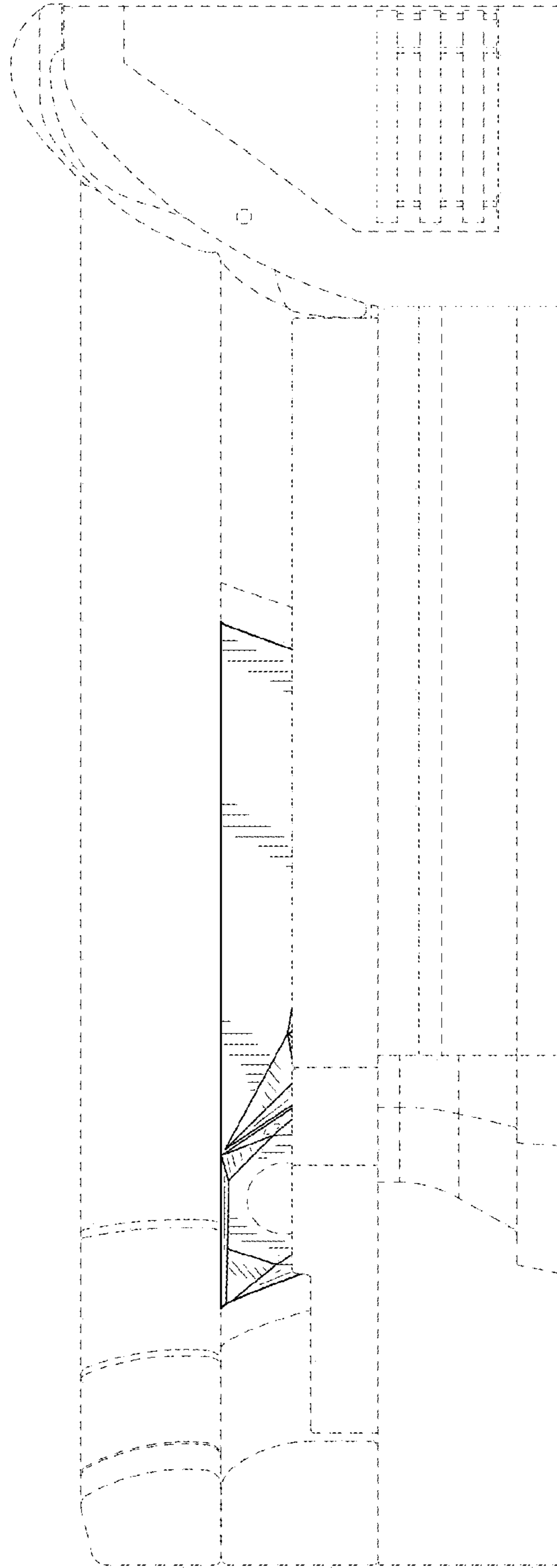


FIG. 10