



US00D988965S

(12) **United States Design Patent** (10) **Patent No.:** **US D988,965 S**  
**Stone et al.** (45) **Date of Patent:** **\*\* Jun. 13, 2023**

(54) **VEHICLE WHEEL**  
(71) Applicants: **Nicolas Ren Stone**, Royal Oak, MI (US); **Tome Jovanoski**, Shelby Township, MI (US)  
(72) Inventors: **Nicolas Ren Stone**, Royal Oak, MI (US); **Tome Jovanoski**, Shelby Township, MI (US)  
(73) Assignee: **FCA US LLC**, Auburn Hills, MI (US)  
(\*\*) Term: **15 Years**  
(21) Appl. No.: **29/773,326**  
(22) Filed: **Mar. 9, 2021**  
(51) **LOC (14) Cl.** ..... **12-16**  
(52) **U.S. Cl.**  
USPC ..... **D12/209**  
(58) **Field of Classification Search**  
USPC ..... D12/204, 208, 209, 210, 211, 213;  
D21/563  
CPC .... B60B 7/02; B60B 7/04; B60B 3/02; B60B 7/06; B60B 3/04; B60B 3/06; B60B 3/10  
See application file for complete search history.

D736,130 S \* 8/2015 Wheel ..... D12/209  
D757,629 S \* 5/2016 Hubers ..... D12/211  
D787,406 S \* 5/2017 Piscitelli ..... D12/209  
D817,846 S \* 5/2018 Stone ..... D12/209  
D865,610 S \* 11/2019 Interrante ..... D12/209  
D888,641 S \* 6/2020 Scott ..... D12/209  
D897,920 S \* 10/2020 Hoste ..... D12/209  
D968,306 S \* 11/2022 Ghobrial ..... D12/209  
D970,417 S \* 11/2022 Zhang ..... D12/209

\* cited by examiner

*Primary Examiner* — Joseph Kukella  
*Assistant Examiner* — Lavon M. Amerson  
(74) *Attorney, Agent, or Firm* — Ralph E. Smith

(56) **References Cited**

**U.S. PATENT DOCUMENTS**

D451,461 S \* 12/2001 Arellano ..... D12/209  
D518,430 S \* 4/2006 Scheu ..... D12/211

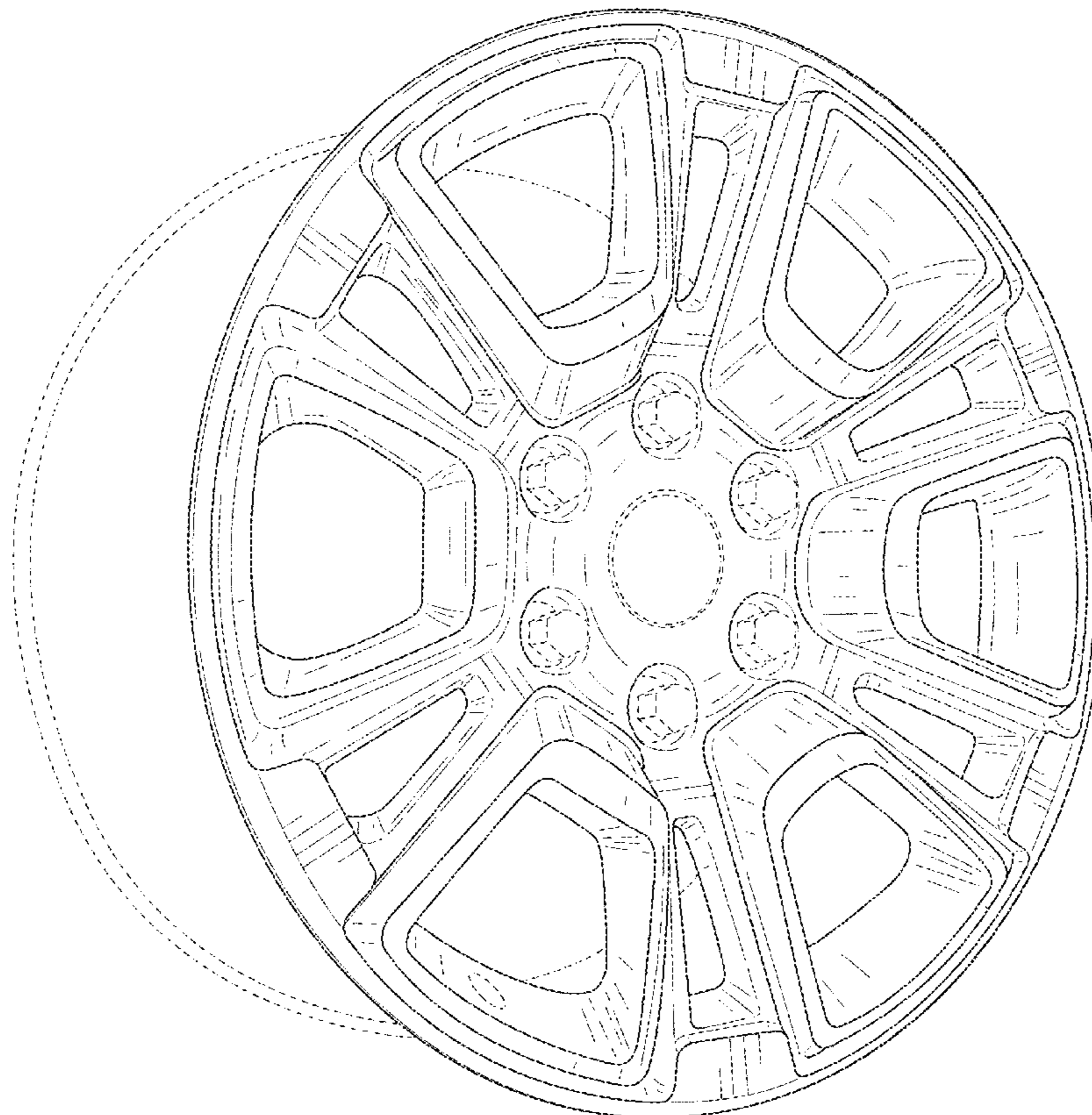
(57) **CLAIM**

The ornamental design for a vehicle wheel, as shown and described.

**DESCRIPTION**

FIG. 1 is a right perspective view of a vehicle wheel showing our new design;  
FIG. 2 is a left perspective view thereof; and,  
FIG. 3 is a front view thereof.  
It will be understood that the broken lines shown in the drawings illustrate portions of the vehicle wheel that form no part of the claimed design.

**1 Claim, 3 Drawing Sheets**



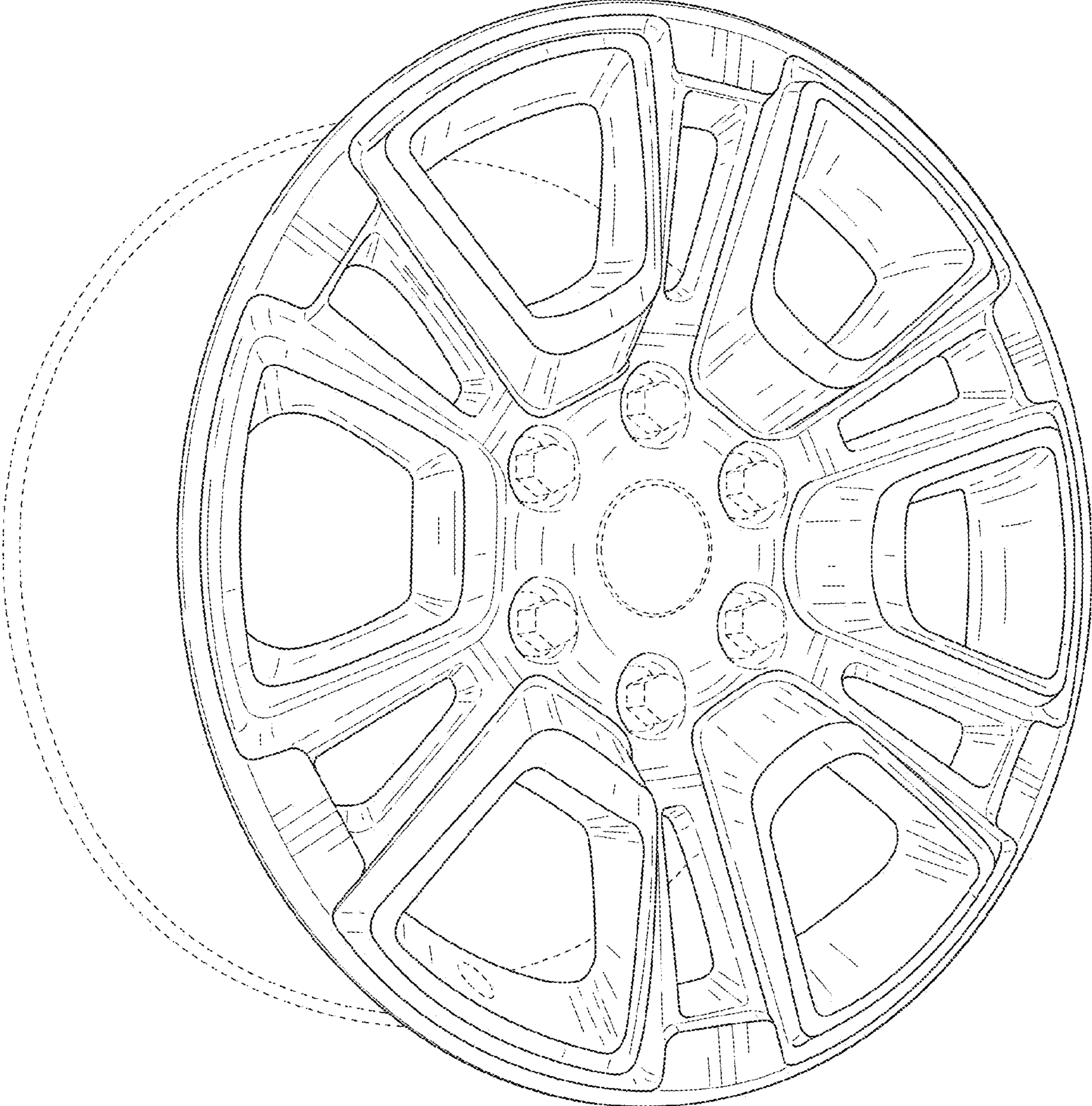


FIG. 1

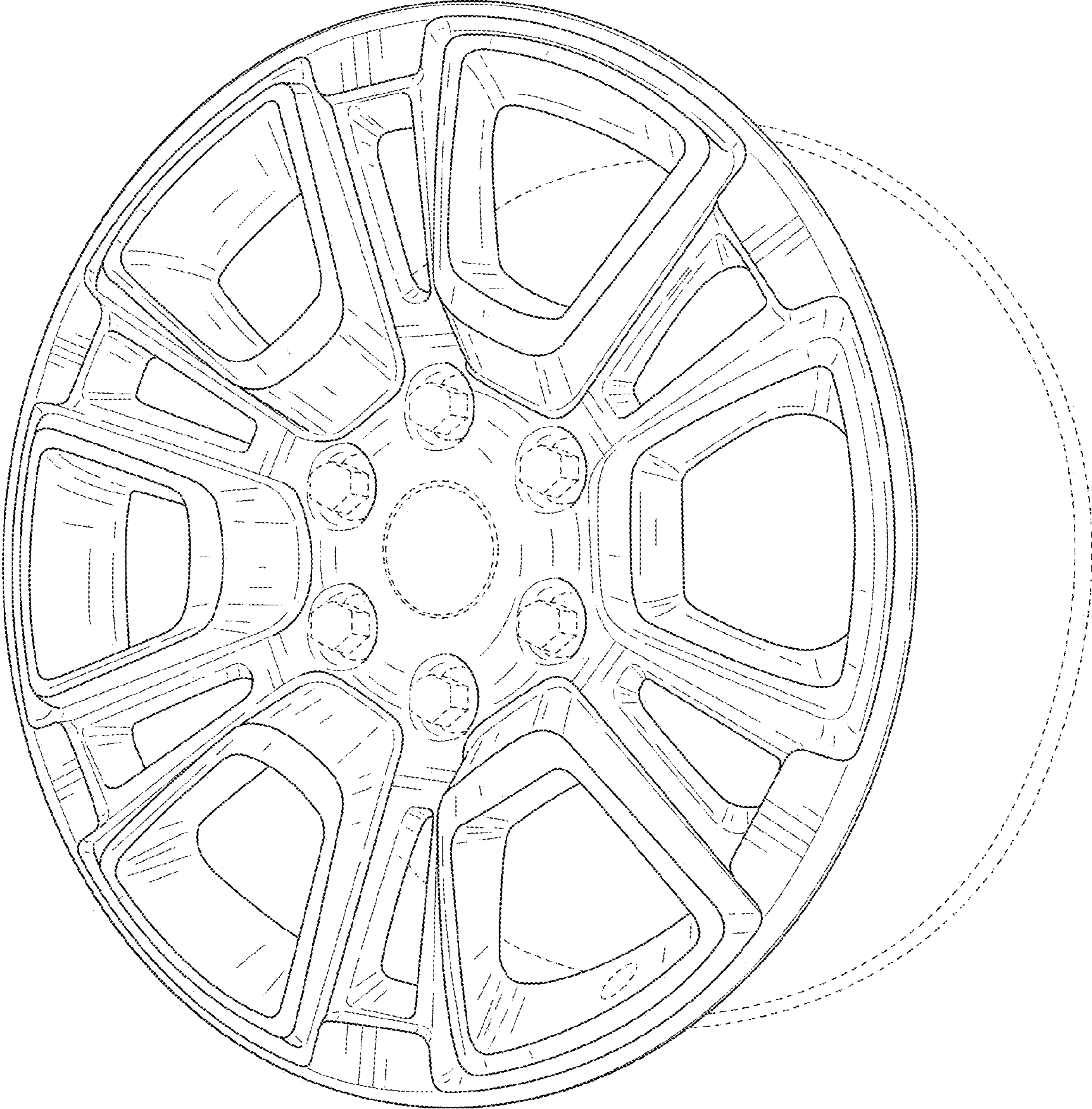


FIG. 2

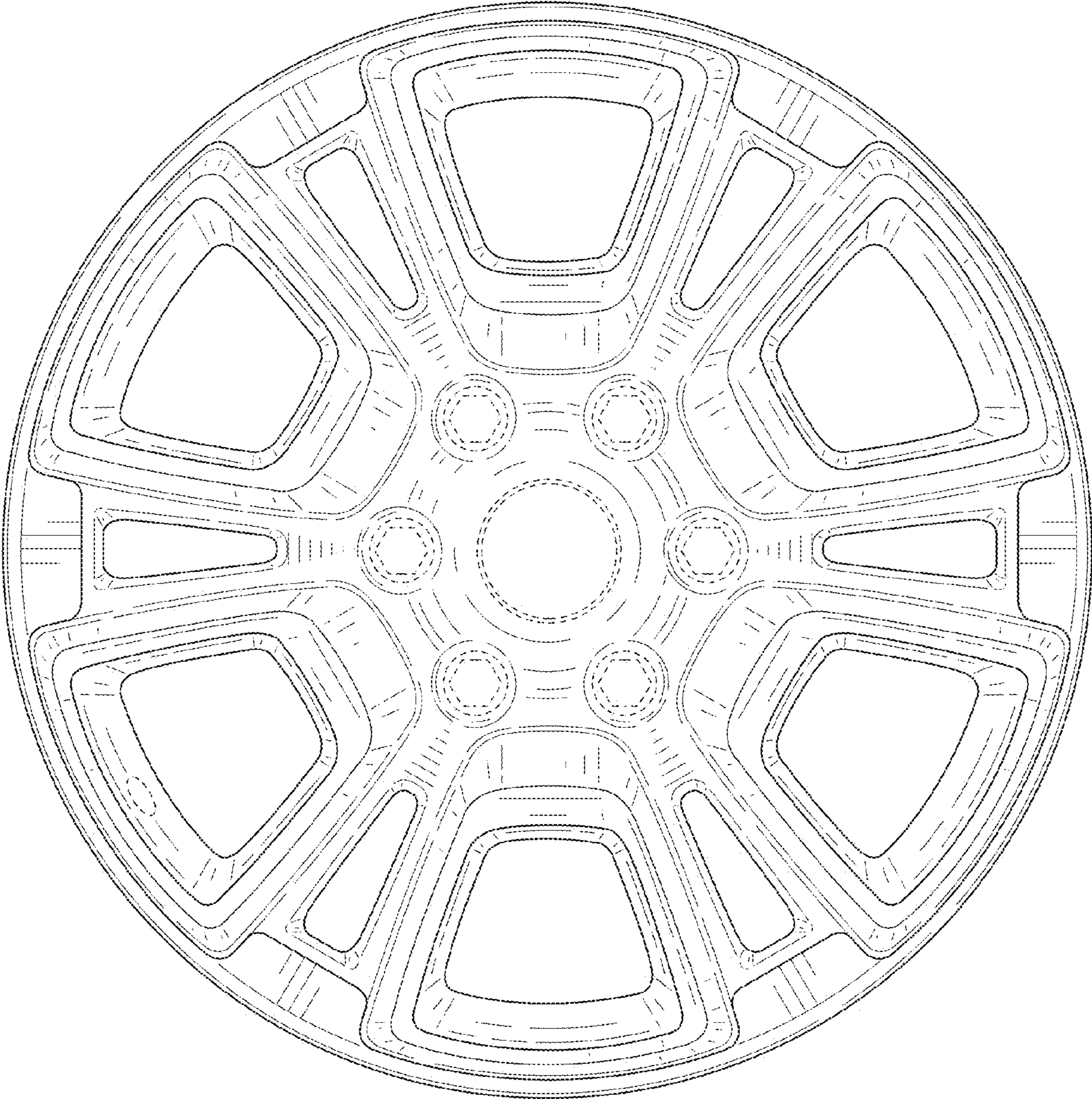


FIG. 3