



US00D988964S

(12) **United States Design Patent**
Hubers et al.

(10) **Patent No.:** **US D988,964 S**
(45) **Date of Patent:** **** Jun. 13, 2023**

(54) **VEHICLE WHEEL**

(71) Applicants: **Adam Hubers**, Clawson, MI (US);
Tome Jovanoski, Shelby Township, MI (US)

(72) Inventors: **Adam Hubers**, Clawson, MI (US);
Tome Jovanoski, Shelby Township, MI (US)

(73) Assignee: **FCA US LLC**, Auburn Hills, MI (US)

(**) Term: **15 Years**

(21) Appl. No.: **29/773,325**

(22) Filed: **Mar. 9, 2021**

(51) **LOC (14) Cl.** **12-16**

(52) **U.S. Cl.**
USPC **D12/209**

(58) **Field of Classification Search**
USPC D12/204, 208, 209, 210, 211, 213;
D21/563
CPC B60B 7/02; B60B 7/04; B60B 3/02; B60B
7/06; B60B 3/04; B60B 3/06; B60B 3/10
See application file for complete search history.

(56) **References Cited**

U.S. PATENT DOCUMENTS

D419,942 S	*	2/2000	Lampkin	D12/209
D451,461 S	*	12/2001	Arellano	D12/209
D529,430 S	*	10/2006	Hsu	D12/209
D560,585 S	*	1/2008	Blasi	D12/209
D617,710 S	*	6/2010	Ectors	D12/209
D618,152 S	*	6/2010	Juergens	D12/209
D791,036 S	*	7/2017	Owens	D12/209
D800,044 S	*	10/2017	Ghobrial	D12/209
D803,136 S	*	11/2017	Platto	D12/211

D817,846 S	*	5/2018	Stone	D12/209
D861,565 S	*	10/2019	Khachatryan	D12/209
D865,610 S	*	11/2019	Interrante	D12/209
D876,309 S	*	2/2020	Echazabal	D12/209
D883,169 S	*	5/2020	Liu	D12/209
D892,020 S	*	8/2020	Grewer	D12/209
D929,923 S	*	9/2021	Ma	D12/209
D940,034 S	*	1/2022	Rosello Visa	D12/209
D968,306 S	*	11/2022	Ghobrial	D12/209
D971,110 S	*	11/2022	Langhals	D12/209

OTHER PUBLICATIONS

Amazon.Com, Partsynergy Replacement For New Aluminum Alloy Wheel, published Apr. 11, 2019, [retrieved Jan. 23, 2023]. Retrieved from the internet<<https://www.amazon.com/Partsynergy-Replacement-Aluminum-Denali-139-7mm/dp/B0846Q2RVR>> (Year: 2019).*

* cited by examiner

Primary Examiner — Joseph Kukella

Assistant Examiner — Lavon M. Amerson

(74) *Attorney, Agent, or Firm* — Ralph E. Smith

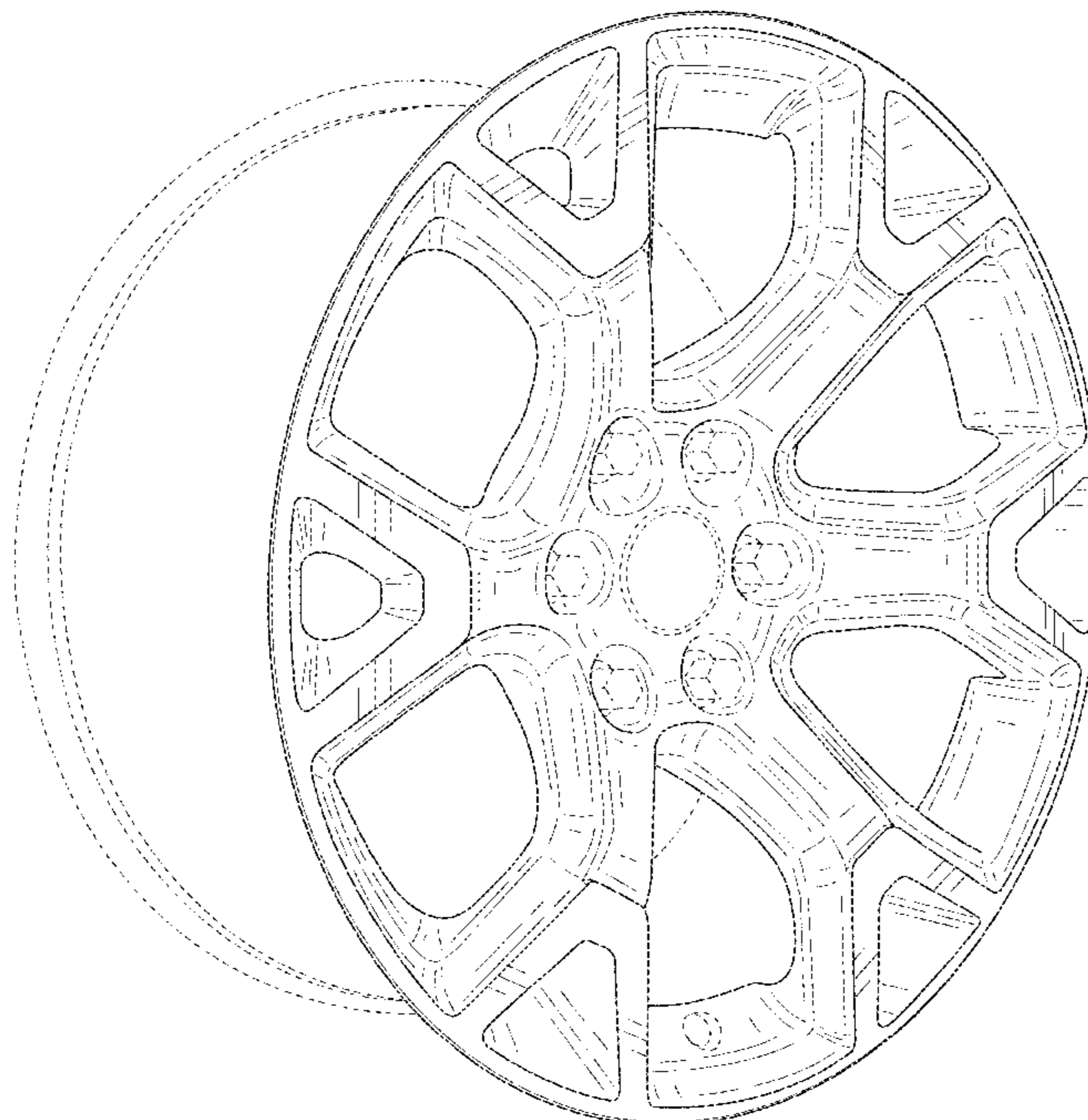
(57) **CLAIM**

The ornamental design for a vehicle wheel, as shown and described.

DESCRIPTION

FIG. 1 is a right perspective view of a vehicle wheel showing our new design; FIG. 2 is a left perspective view thereof; and, FIG. 3 is a front view thereof. It will be understood that the broken lines shown in the drawings illustrate portions of the vehicle wheel that form no part of the claimed design.

1 Claim, 3 Drawing Sheets



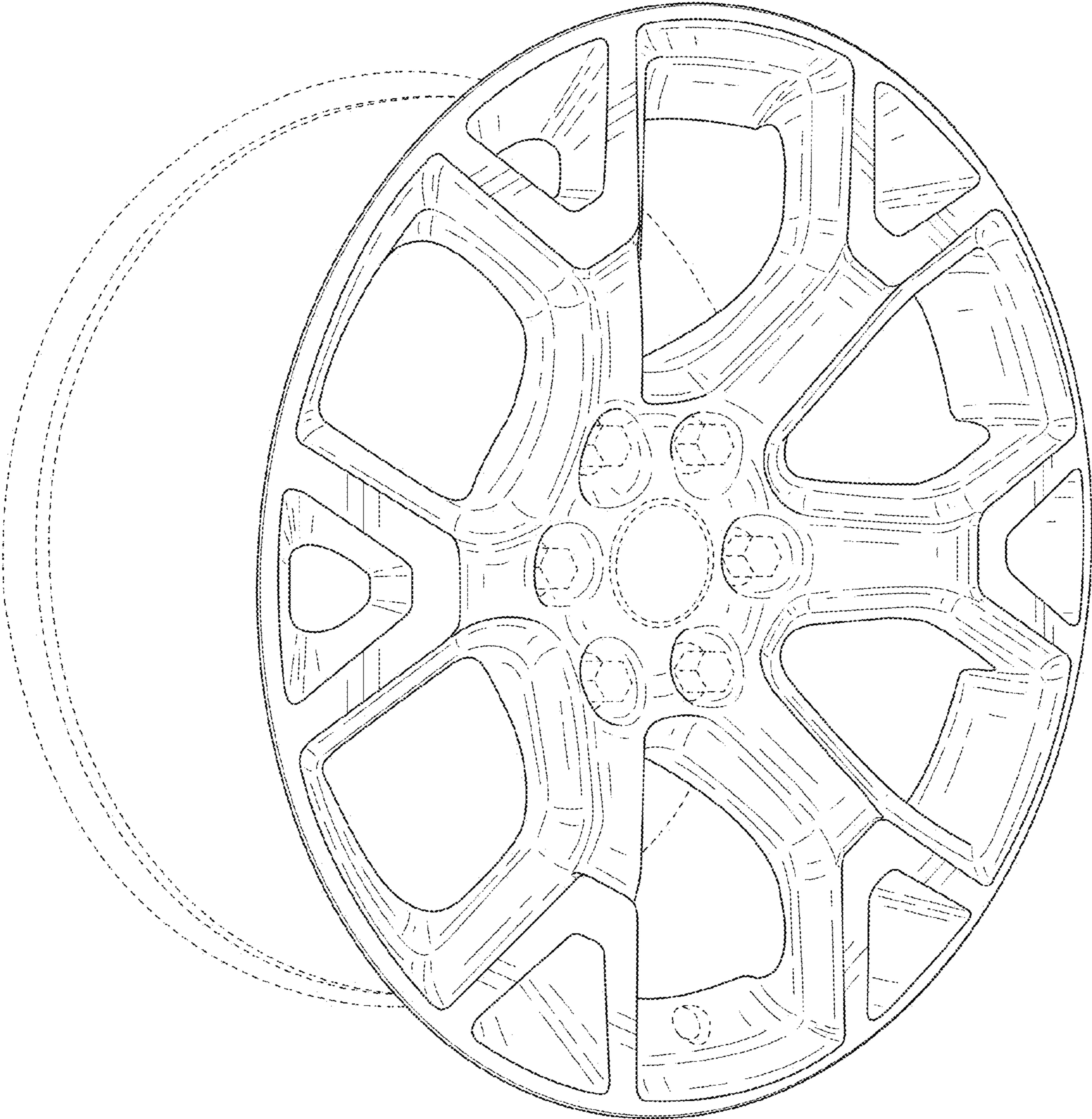


FIG. 1

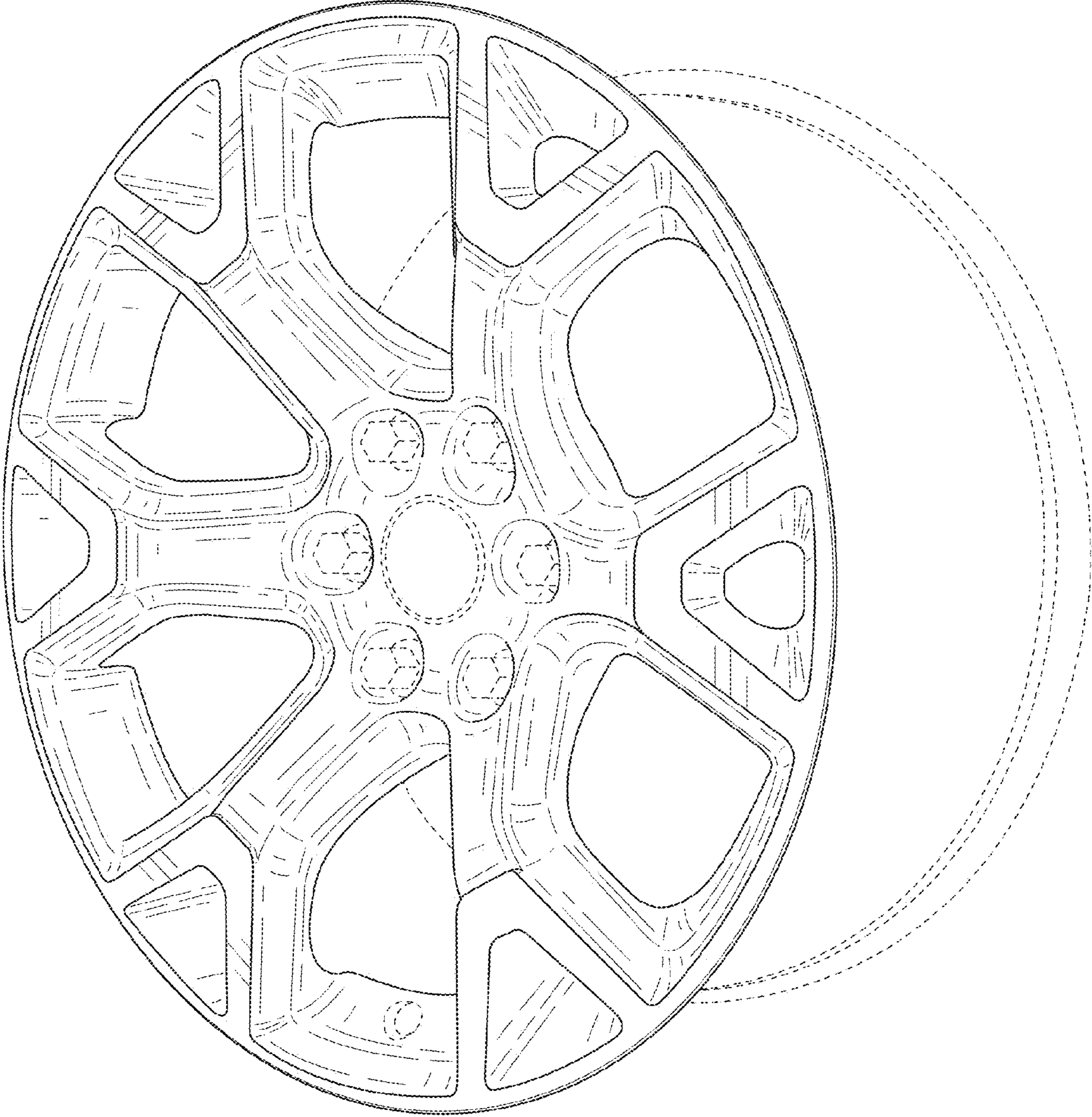


FIG. 2

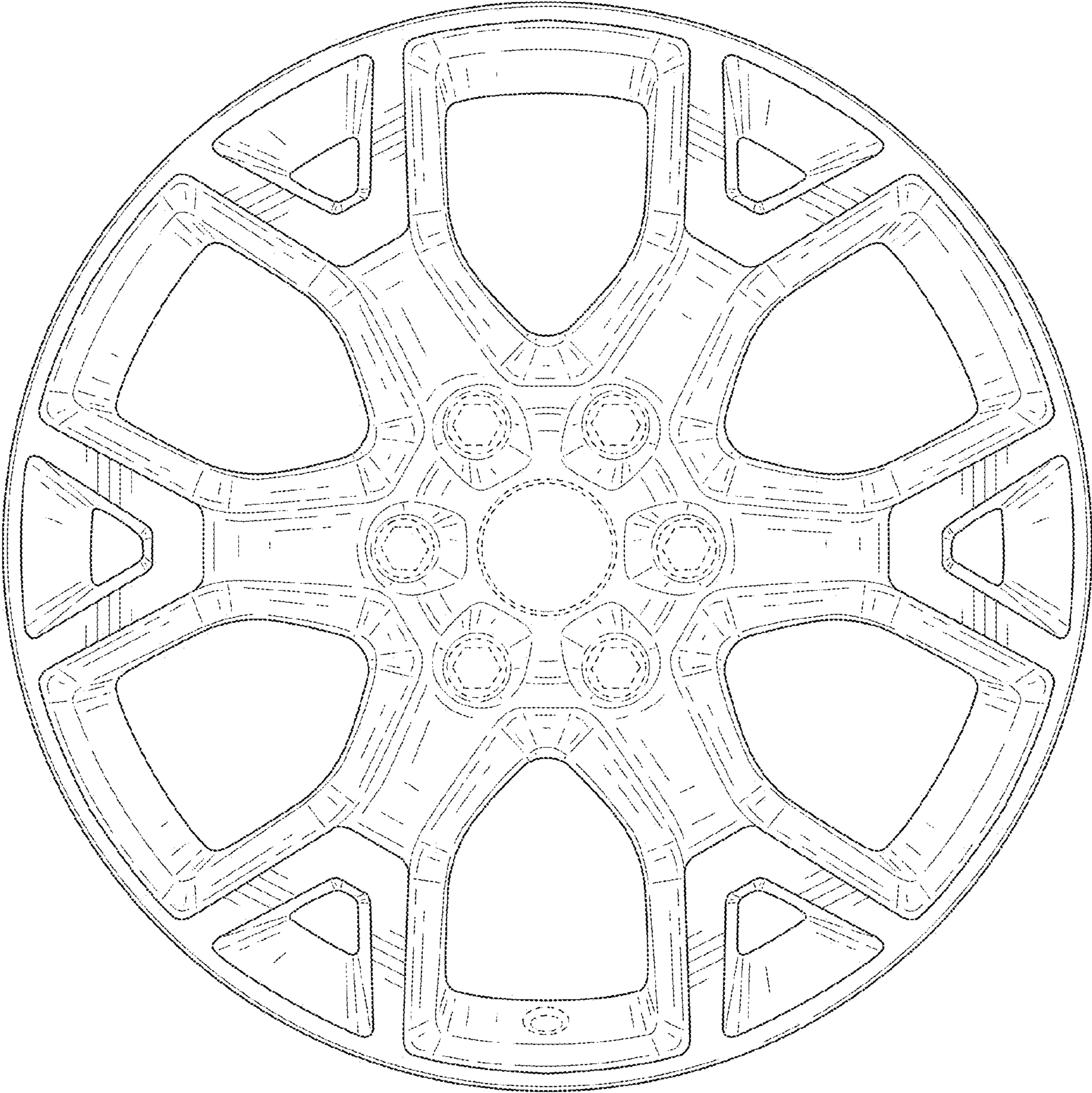


FIG. 3