



US00D988963S

(12) **United States Design Patent** (10) **Patent No.:** **US D988,963 S**
Lee (45) **Date of Patent:** **** Jun. 13, 2023**

(54) **AUTOMOTIVE WHEEL**
(71) Applicant: **MKW ALLOY, INC.**, City of Industry, CA (US)
(72) Inventor: **Kevin Lee**, Yorba Linda, CA (US)
(73) Assignee: **MKW ALLOY, INC.**, City of Industry (CA)

D833,945 S * 11/2018 Henderson D12/209
D860,905 S * 9/2019 Tran D12/209
D937,732 S * 12/2021 Han D12/209
D938,882 S * 12/2021 Podlovits D12/209
D940,039 S * 1/2022 Han D12/209
D940,040 S * 1/2022 Han D12/209
D942,913 S * 2/2022 Williams D12/209

(**) Term: **15 Years**
(21) Appl. No.: **29/757,479**

(22) Filed: **Nov. 6, 2020**
(51) **LOC (14) Cl.** **12-16**
(52) **U.S. Cl.**
USPC **D12/209**
(58) **Field of Classification Search**
USPC D12/204-213; D21/563
CPC B60B 7/00; B60B 7/01; B60B 7/02; B60B 7/04;
B60B 7/06; B60B 3/02; B60B 3/04;
B60B 3/06; B60B 3/10; B60B 1/00;
B60B 1/08; B60B 1/10; B60B 1/12
See application file for complete search history.

OTHER PUBLICATIONS

Hostile HF11 Boost, Published date unavailable [online], [retrieved on Jun. 16, 2022]. Retrieved from the Internet: <https://www.starlinekustomz.com/products/hostile-hf11-boost-forged-utv-2?variant=42041295470761> (Year: 2022).*

* cited by examiner

Primary Examiner — Cary M Robinson
Assistant Examiner — Adam C Mager
(74) *Attorney, Agent, or Firm* — Ahn IP Law

(57) **CLAIM**

The ornamental design for an automotive wheel, as shown and described.

DESCRIPTION

FIG. 1 is a perspective view of an automotive wheel, showing my new design; and, FIG. 2 is a front view thereof.

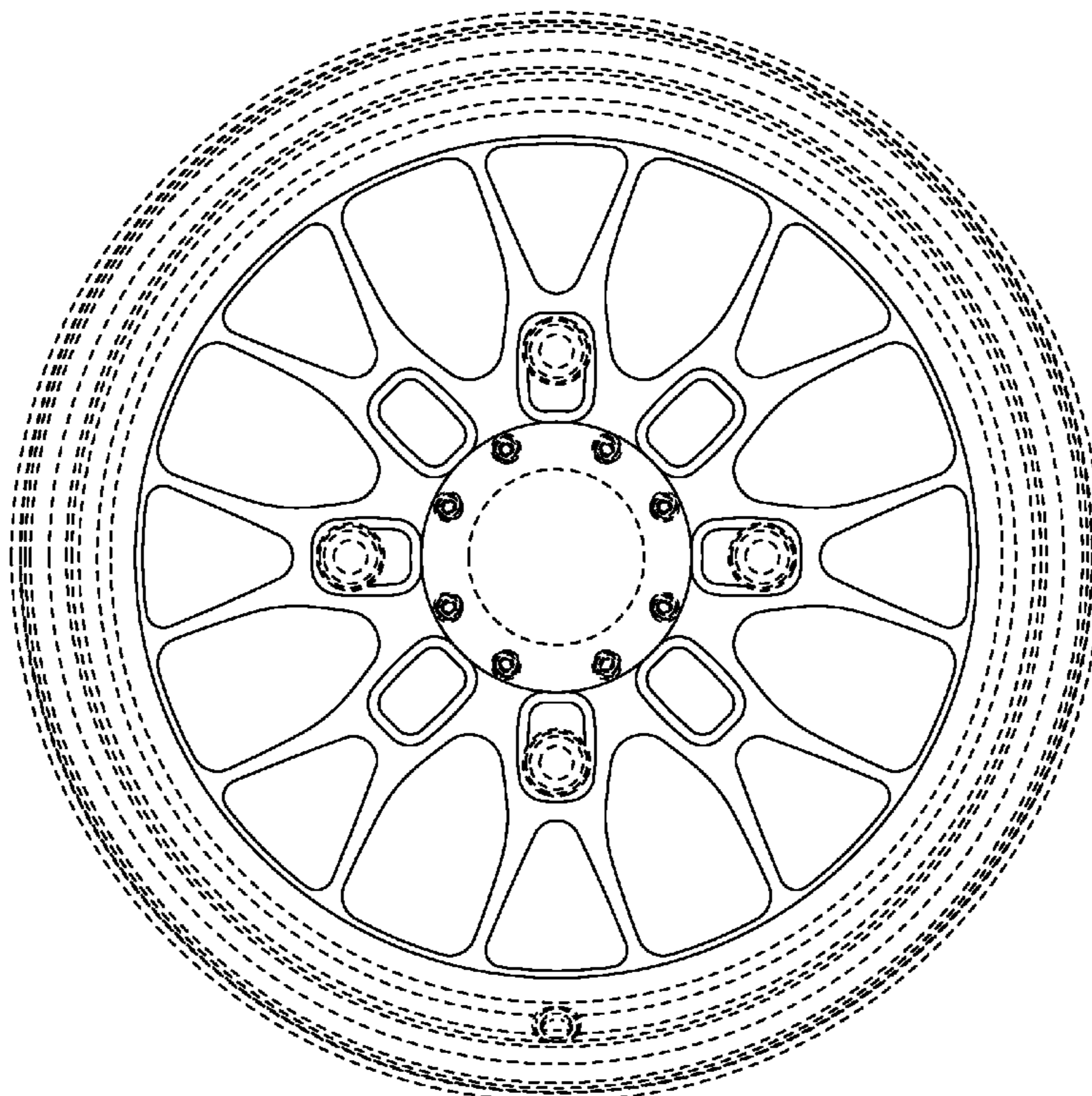
The broken line showing in the figures is for the purpose of illustrating environmental structure and forms no part of the claimed design.

1 Claim, 2 Drawing Sheets

(56) **References Cited**

U.S. PATENT DOCUMENTS

D376,125 S * 12/1996 Fikse D12/211
D399,474 S * 10/1998 Stacy D12/211
D753,569 S * 4/2016 Chung D12/209
D754,045 S * 4/2016 Chung D12/209
D754,046 S * 4/2016 Chung D12/209
D756,281 S * 5/2016 Chung D12/209



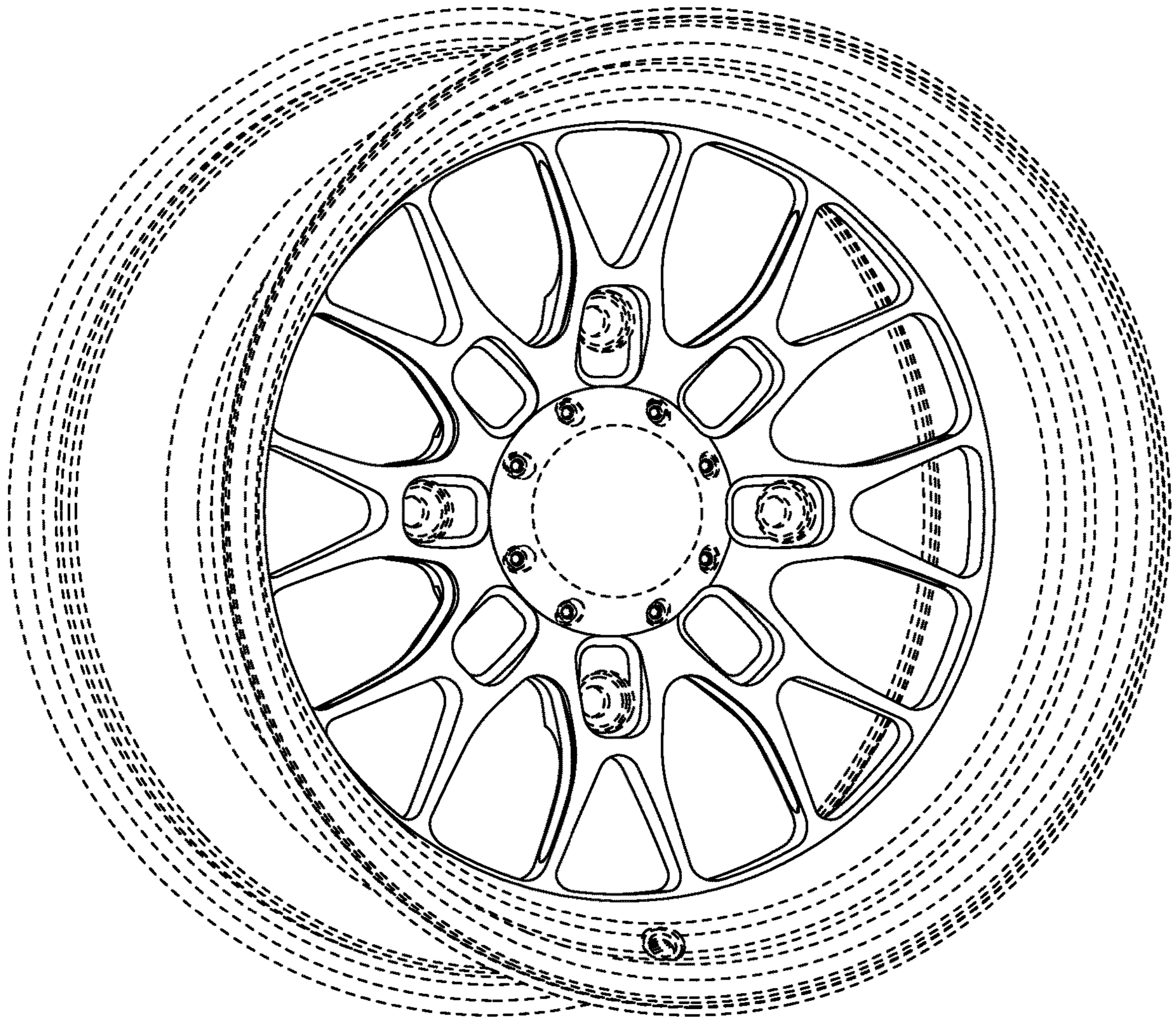


FIG. 1

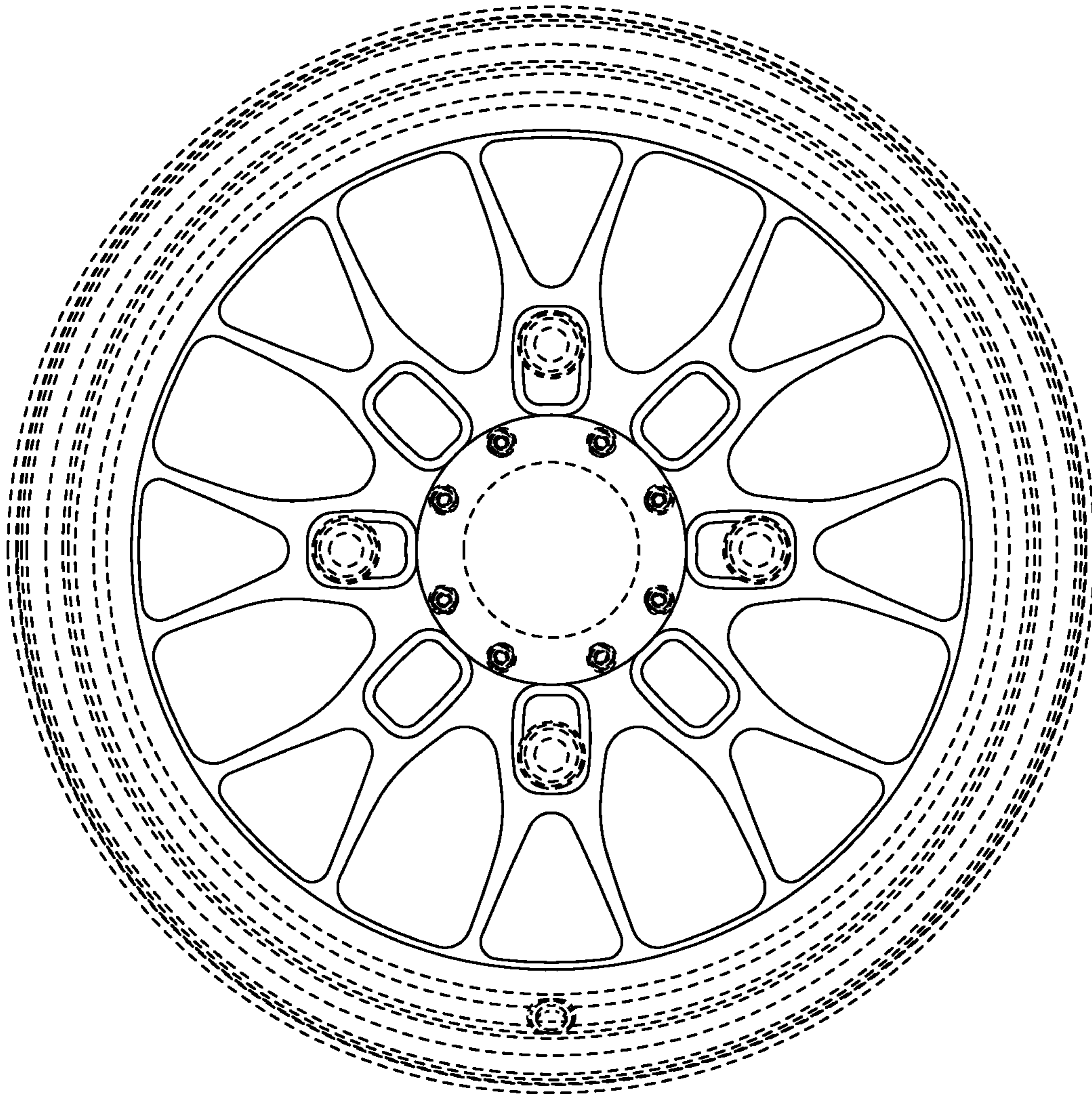


FIG. 2