



US00D988956S

(12) **United States Design Patent**  
**Tian**

(10) **Patent No.:** **US D988,956 S**

(45) **Date of Patent:** **\*\* Jun. 13, 2023**

(54) **CAR WINDOW BUTTON CONTROL PANEL DECORATION**

(71) Applicant: **Shenzhen Zhengtu Auto Accessories Co., Ltd.**, Shenzhen (CN)

(72) Inventor: **Xin Tian**, Shenzhen (CN)

(73) Assignee: **SHENZHEN ZHENG TU AUTO ACCESSORIES CO., LTD.**, Shenzhen (CN)

(\*\*) Term: **15 Years**

(21) Appl. No.: **29/847,016**

(22) Filed: **Jul. 21, 2022**

(51) **LOC (14) Cl.** ..... **12-16**

(52) **U.S. Cl.**  
USPC ..... **D12/195**

(58) **Field of Classification Search**  
USPC ..... D12/195, 193, 414, 190, 196; D15/17, D15/28; D10/46, 98, 102-103; D8/302-303, 356  
CPC ..... B64C 1/062; B64C 39/024; B64D 11/003; B64D 11/00; B60J 5/04  
See application file for complete search history.

(56) **References Cited**

**U.S. PATENT DOCUMENTS**

D493,399 S \* 7/2004 Schowalter ..... D12/195  
D496,579 S \* 9/2004 Pfeiffer ..... D8/343

D507,471 S \* 7/2005 Schowalter ..... D8/306  
D587,980 S \* 3/2009 Rosenbohm ..... D8/303  
D685,707 S \* 7/2013 Yu ..... D12/195  
D821,947 S \* 7/2018 Kasparian ..... D12/345  
D829,142 S \* 9/2018 Sheffield ..... D12/195  
D844,517 S \* 4/2019 Brisbane ..... D12/195  
D855,527 S \* 8/2019 Buffery ..... D12/195  
D882,478 S \* 4/2020 Buffery ..... D12/195  
D958,036 S \* 7/2022 Jenkins ..... D12/195  
D971,805 S \* 12/2022 Szczupak ..... D12/195  
2009/0121515 A1 \* 5/2009 Shiono ..... B60N 3/026  
52/745.16

\* cited by examiner

*Primary Examiner* — Katrina A Betton

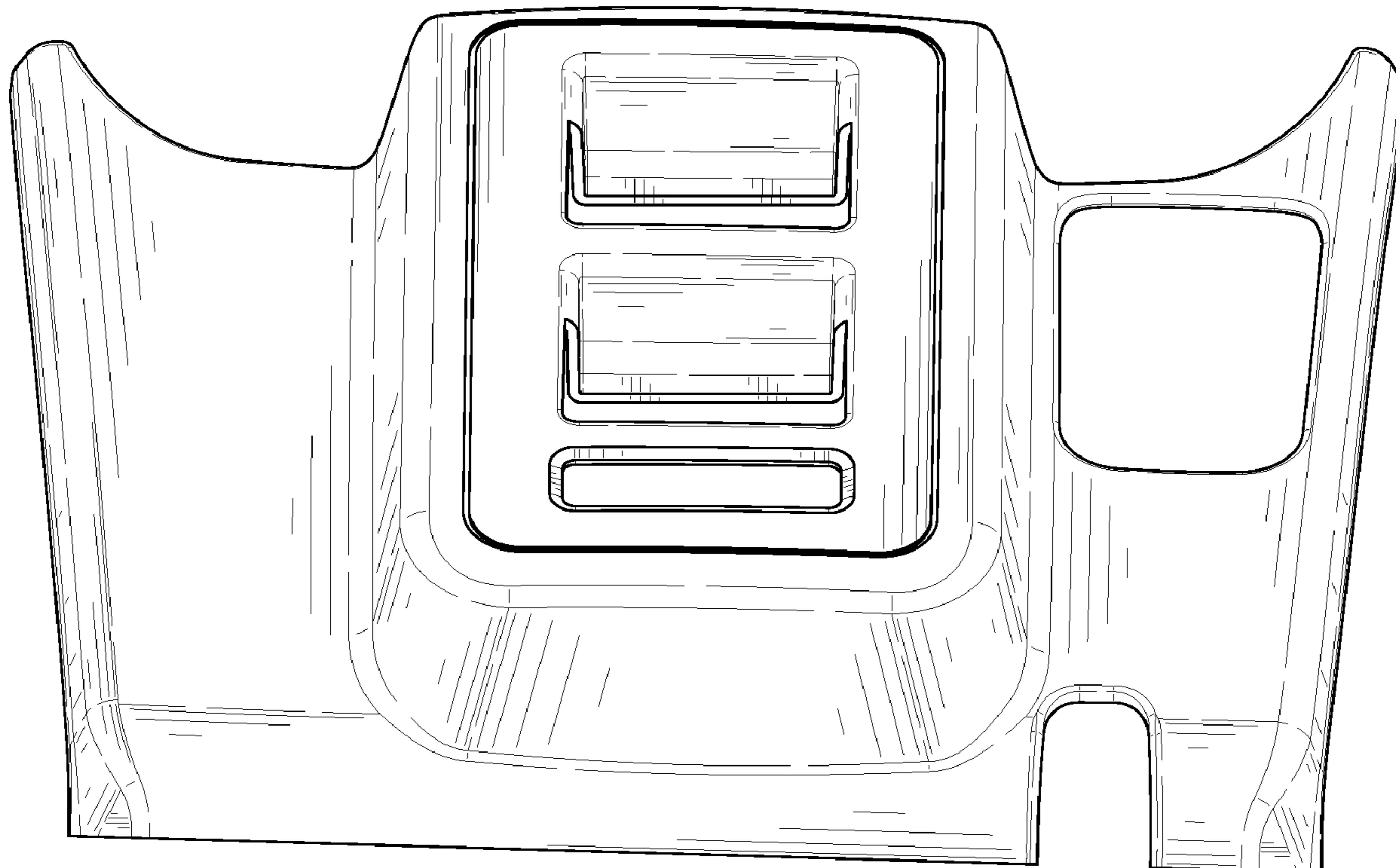
(57) **CLAIM**

The ornamental design for a car window button control panel decoration, as shown and described.

**DESCRIPTION**

FIG. 1 is a perspective view of a car window button control panel decoration showing my new design; FIG. 2 is another perspective view thereof; FIG. 3 is a front elevational view thereof; FIG. 4 is a rear elevational view thereof; FIG. 5 is a left side elevational view thereof; FIG. 6 is a right side elevational view thereof; FIG. 7 is a top plan view thereof; and, FIG. 8 is a bottom plan view thereof.

**1 Claim, 8 Drawing Sheets**



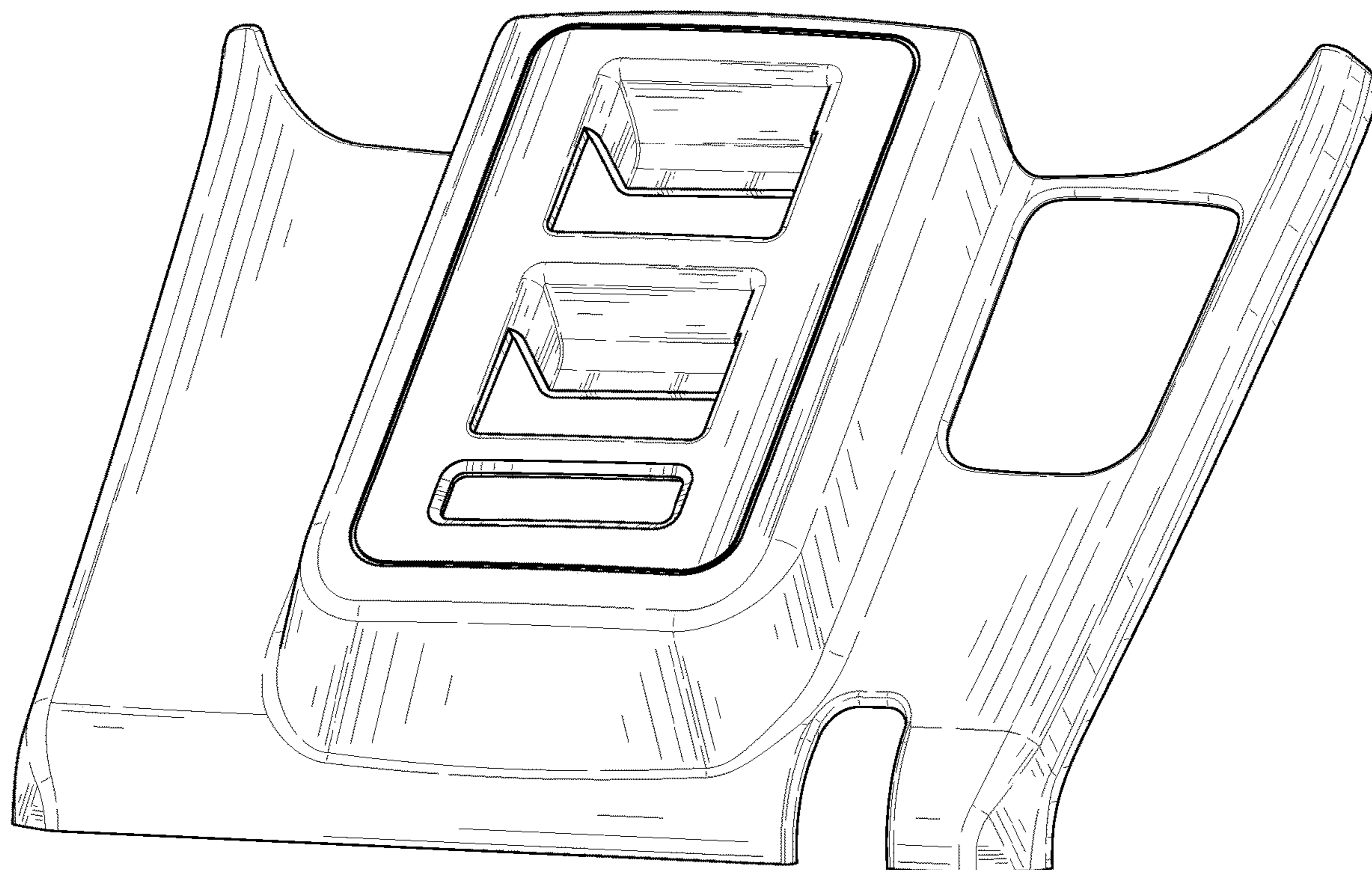


FIG. 1

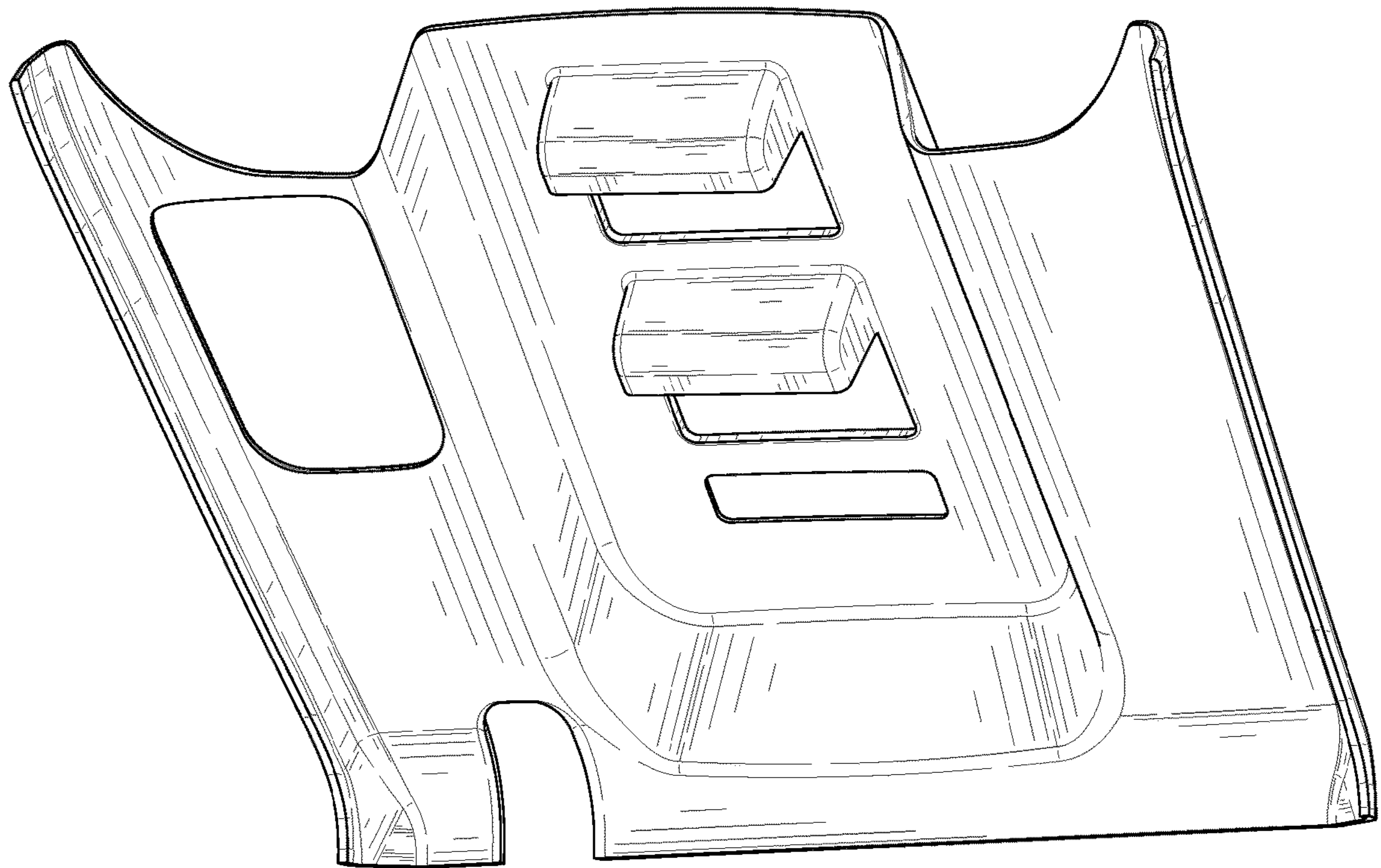


FIG. 2

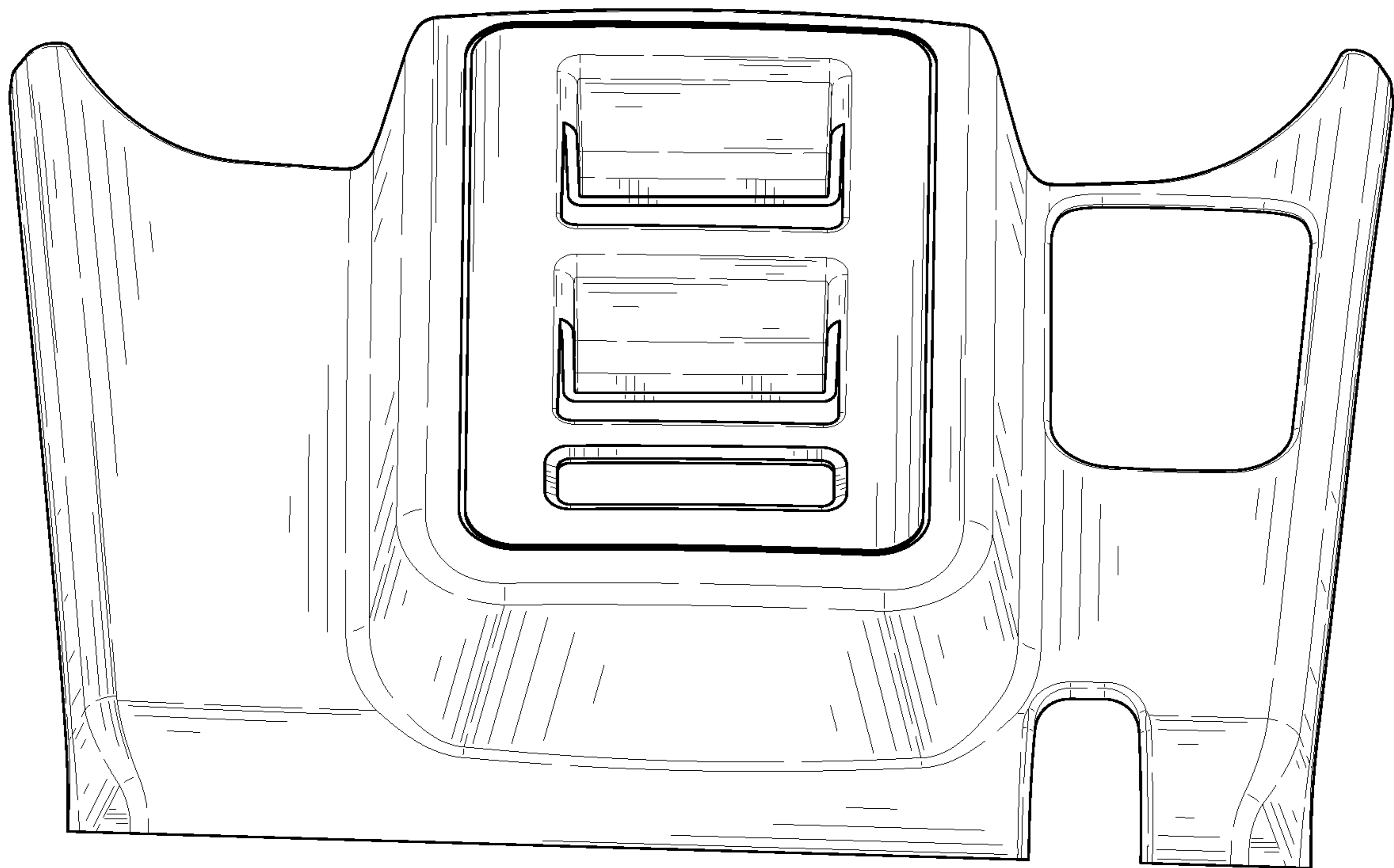


FIG. 3

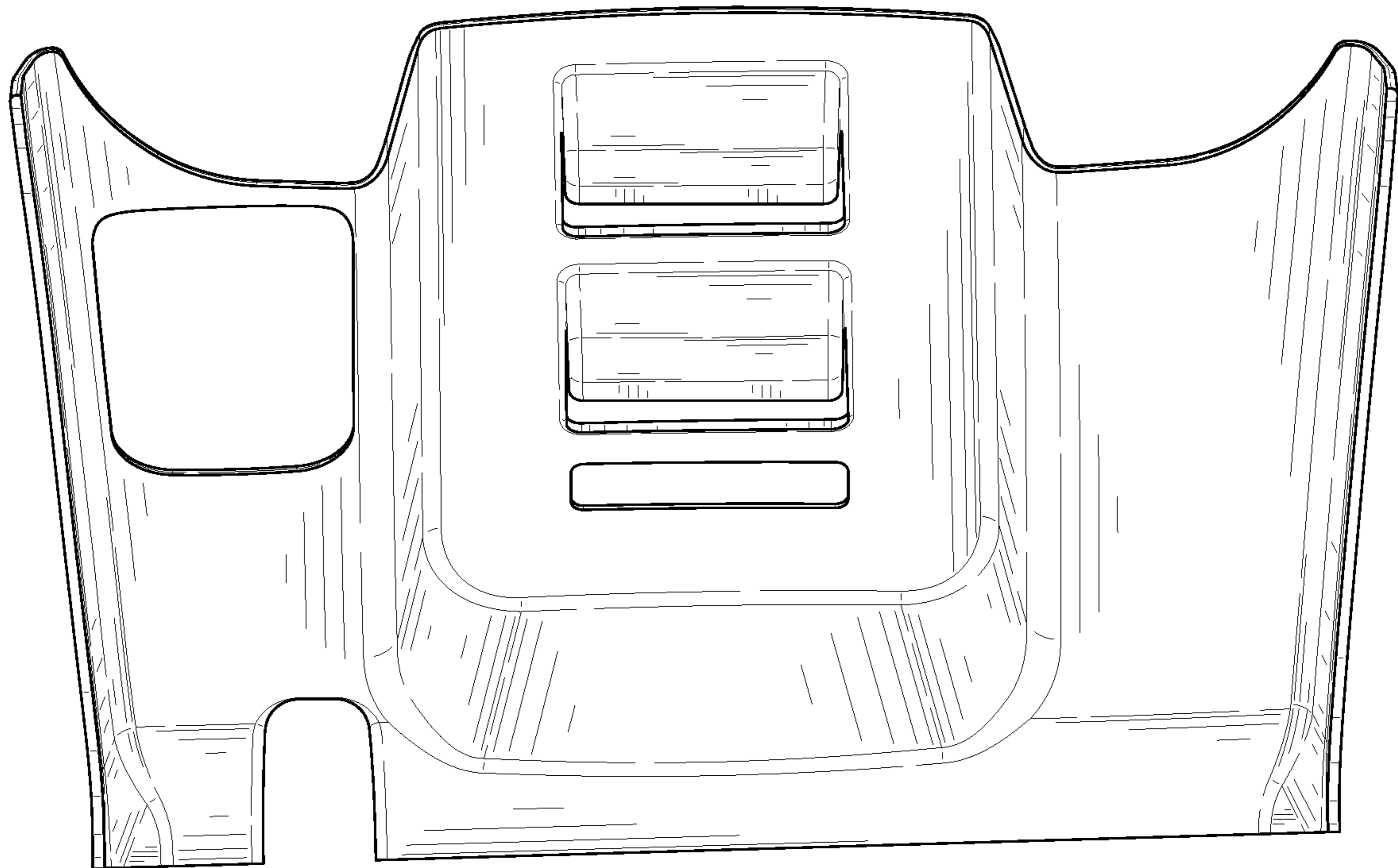


FIG. 4

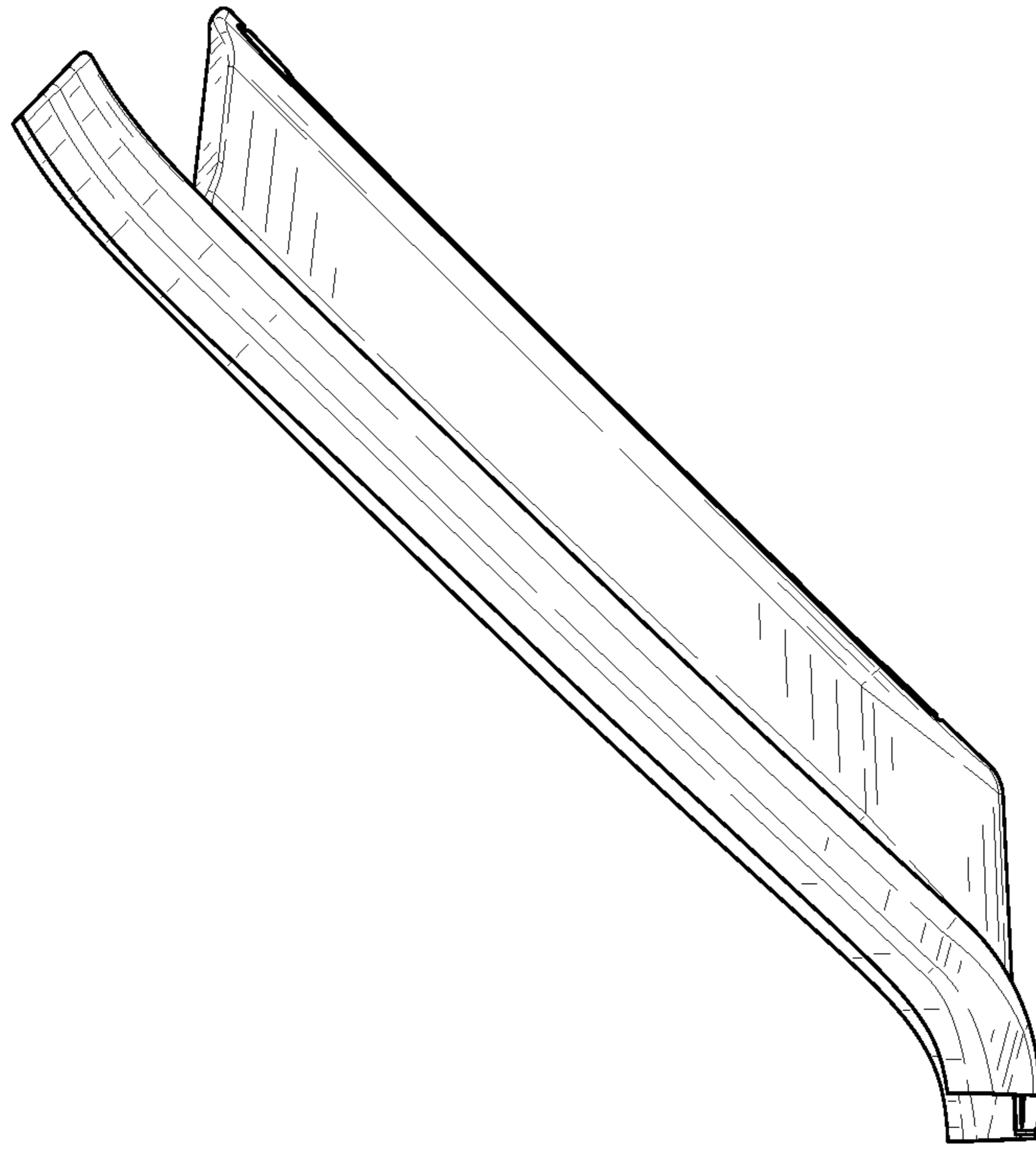


FIG. 5

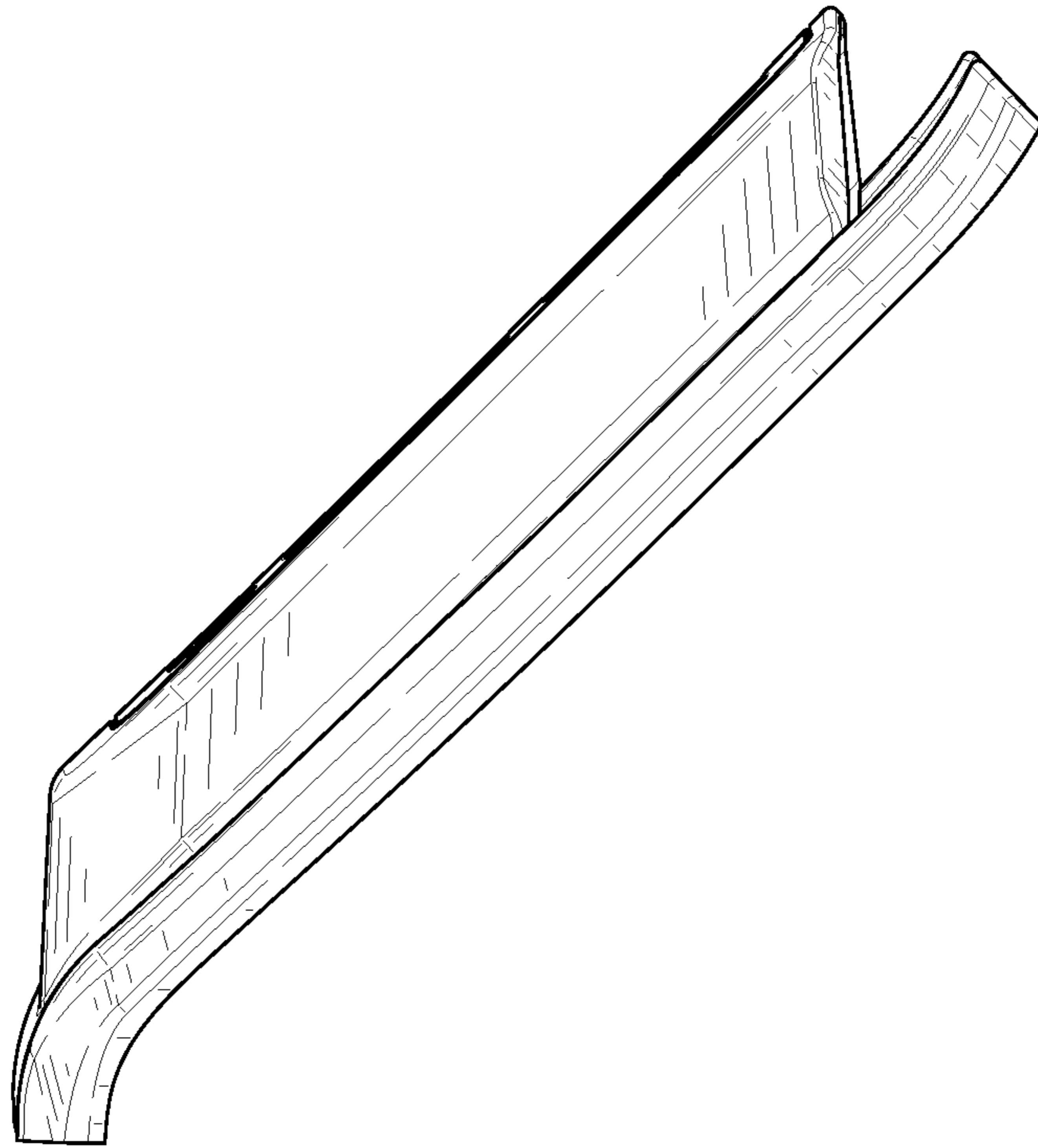


FIG. 6

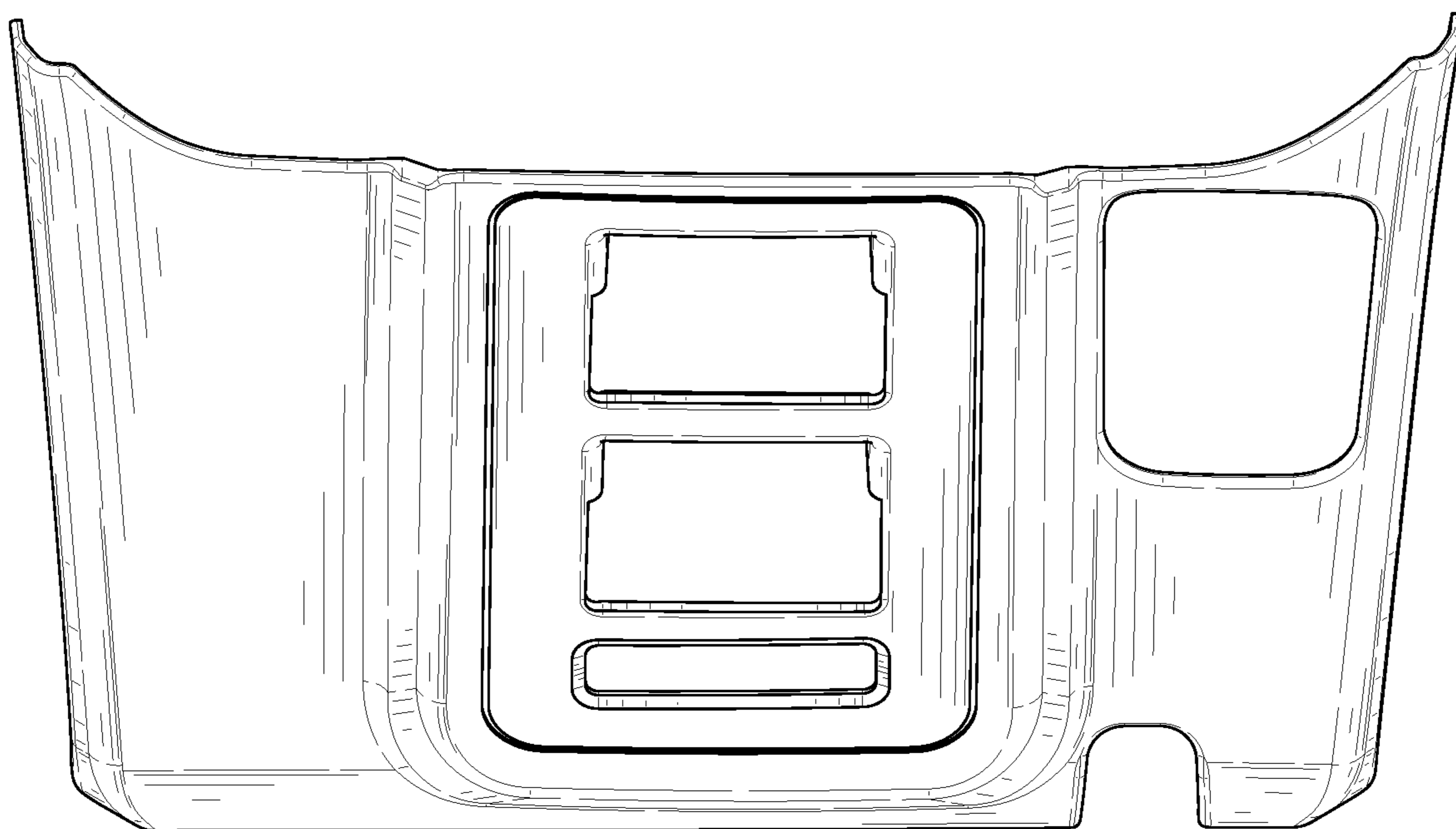


FIG. 7



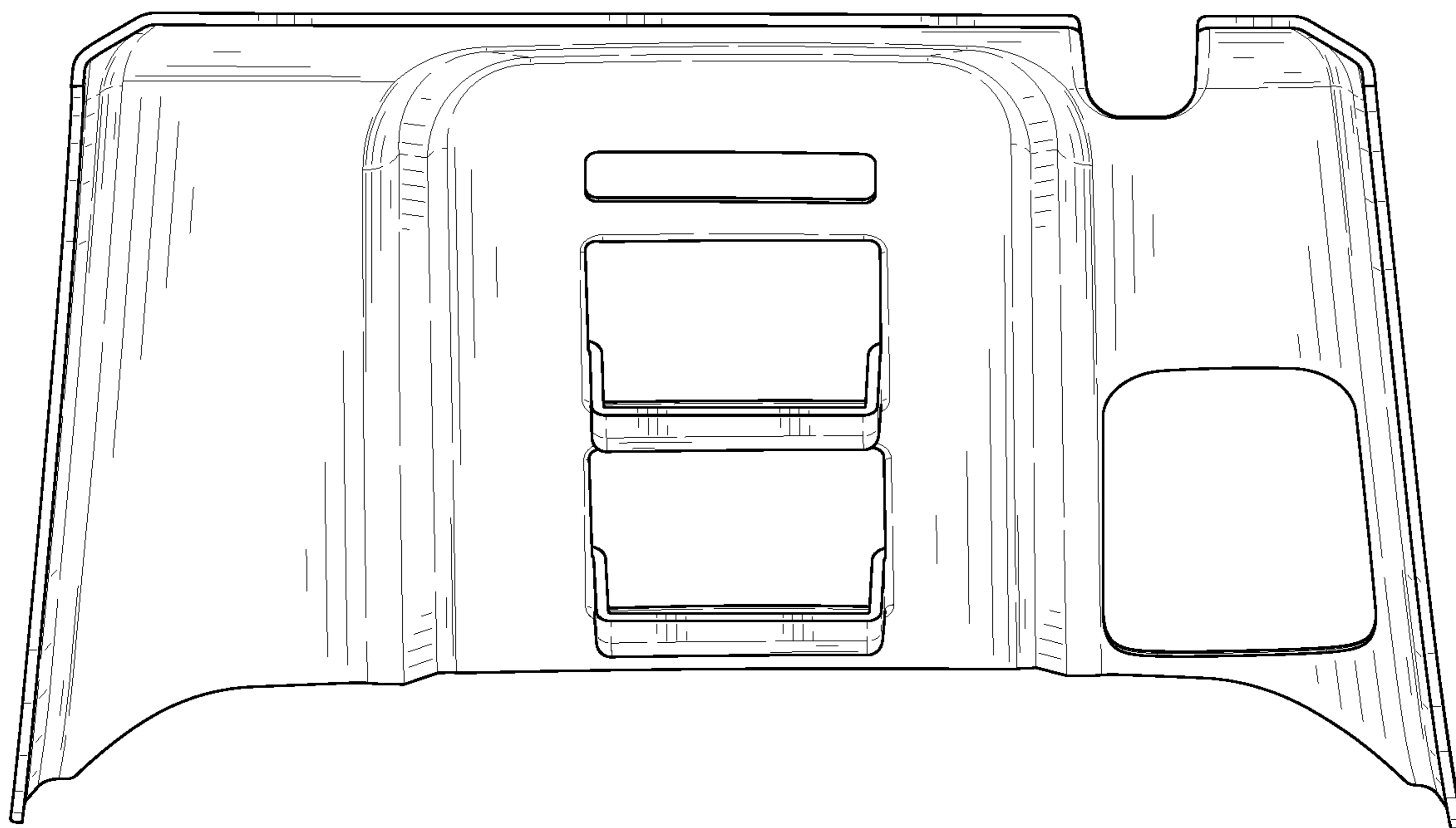


FIG. 8