



US00D988953S

(12) **United States Design Patent**  
**McMath**

(10) **Patent No.:** **US D988,953 S**  
(45) **Date of Patent:** **\*\* Jun. 13, 2023**

(54) **PAIR OF VEHICLE FRONT FENDERS**

(71) Applicant: **Landon Cole McMath**, Riverside, CA (US)

(72) Inventor: **Landon Cole McMath**, Riverside, CA (US)

(\*\*) Term: **15 Years**

(21) Appl. No.: **29/813,090**

(22) Filed: **Oct. 26, 2021**

(51) **LOC (14) Cl.** ..... **12-16**

(52) **U.S. Cl.**  
USPC ..... **D12/184**

(58) **Field of Classification Search**

USPC ..... D12/114, 181, 184, 196; D15/28

CPC ..... B60R 13/00; B60R 13/08; B32B 27/08;

B62D 25/02; B62D 25/16; B62D 25/18

See application file for complete search history.

(56) **References Cited**

U.S. PATENT DOCUMENTS

D623,103 S *	9/2010	Braga	.....	D12/181
D712,324 S *	9/2014	McFarlin	.....	D12/181
D839,806 S *	2/2019	Chi	.....	D12/184
D855,519 S *	8/2019	Bundy	.....	D12/184
D861,561 S *	10/2019	Mallicote	.....	D12/184
D875,006 S *	2/2020	DiCanzio	.....	D12/184
D892,694 S *	8/2020	Li	.....	D12/196
D898,640 S *	10/2020	Rose	.....	D12/184
D901,348 S *	11/2020	Goodrich	.....	D12/184
D911,893 S *	3/2021	Li	.....	D12/184
D925,421 S *	7/2021	Mallicote	.....	D12/184
D935,965 S *	11/2021	Yang	.....	D12/184
D960,059 S *	8/2022	Mallicote	.....	D12/184

OTHER PUBLICATIONS

Fender Flares. (Design—© Questel) orbit.com. [Online PDF compilation of references] 40 pgs. Print Dates Range Apr. 25, 2019-Oct. 10, 2003 [Retrieved Mar. 21, 2023].\*

Nilight Off-Road Fender Flares Kit. Oct. 21, 2020. Amazon. <https://www.amazon.com/Nilight-Compatible-2007-2018-Heavy-Duty-JK-63D/dp/B08LK7YLC7?th=1>.\*

OEDRO Flat Front & Rear Fender Flares. Oct. 11, 2018. Amazon. <https://www.amazon.com/oEdRo-Competible-2007-2018-Wrangler-Unlimited/dp/B07JC3HZZT?th=1>.\*

Jeep Gladiator Slim Fender Flares. 2020. DV8 Offroad, <https://dv8offroad.com/products/jeep-gladiator-fender-flares-fdgl-01>.\*

\* cited by examiner

*Primary Examiner* — George D. Kirschbaum

*Assistant Examiner* — Suzanne E Tisdell

(74) *Attorney, Agent, or Firm* — Harrington & Harrington; Curtis L. Harrington

(57) **CLAIM**

The ornamental design for a pair of vehicle front fenders, as shown and described.

**DESCRIPTION**

FIG. 1 is a right upper perspective view of a pair of vehicle front fenders showing my new design;

FIG. 2 is a right side elevational view thereof;

FIG. 3 top plan view thereof;

FIG. 4 is a bottom plan view thereof;

FIG. 5 is a rear side elevational view thereof; and,

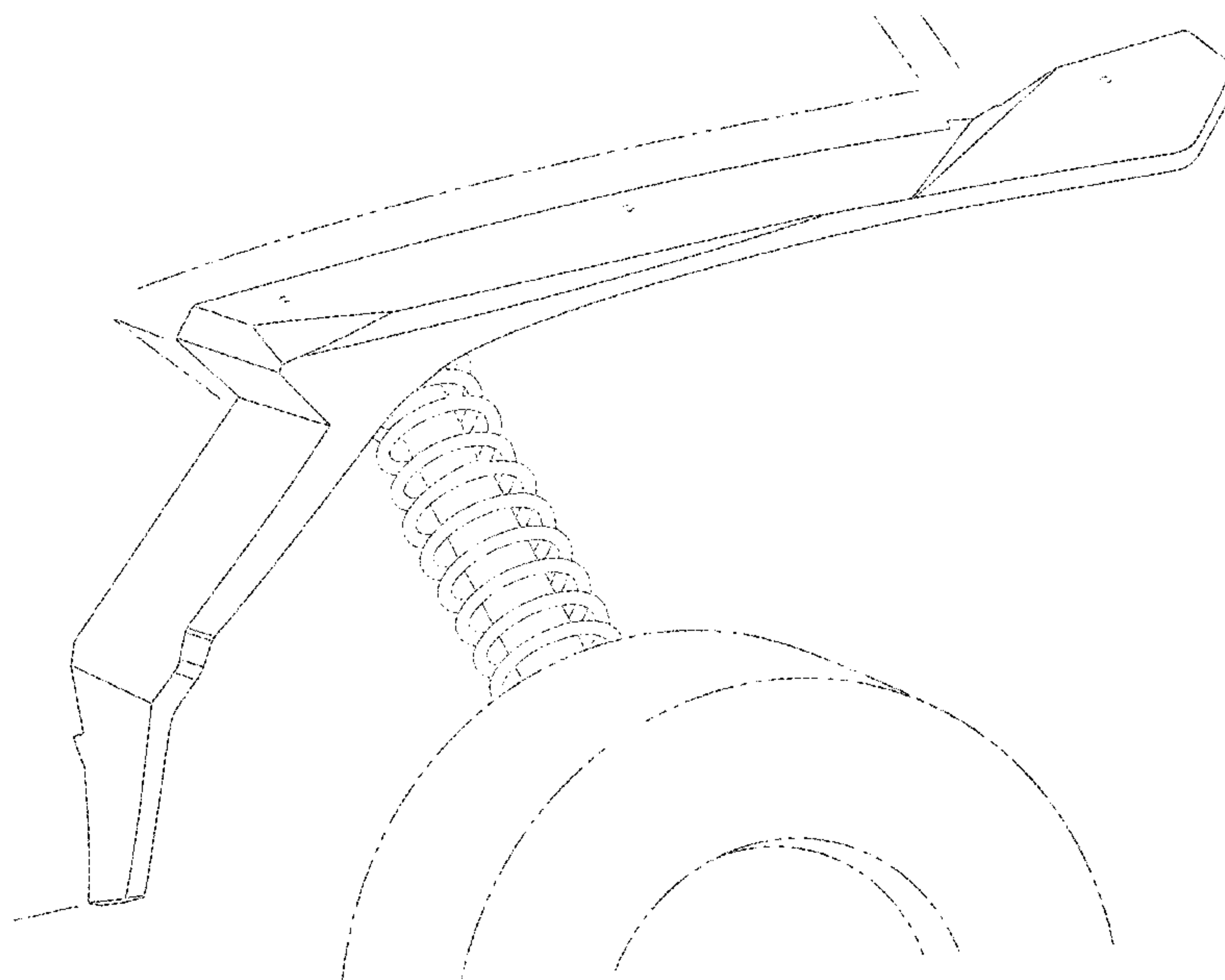
FIG. 6 is a front side elevational view thereof.

The dash-dash even broken lines illustrate and surround portions of the pair of vehicle front fenders that form no part of the claimed design.

The “long dash-short dash-short dash” broken lines shown in the drawings illustrate vehicle environmental subject matter which forms no part of the claimed design.

The other of the pair of vehicle front fenders, having a mirror image, is not separately illustrated in the drawing views.

**1 Claim, 5 Drawing Sheets**



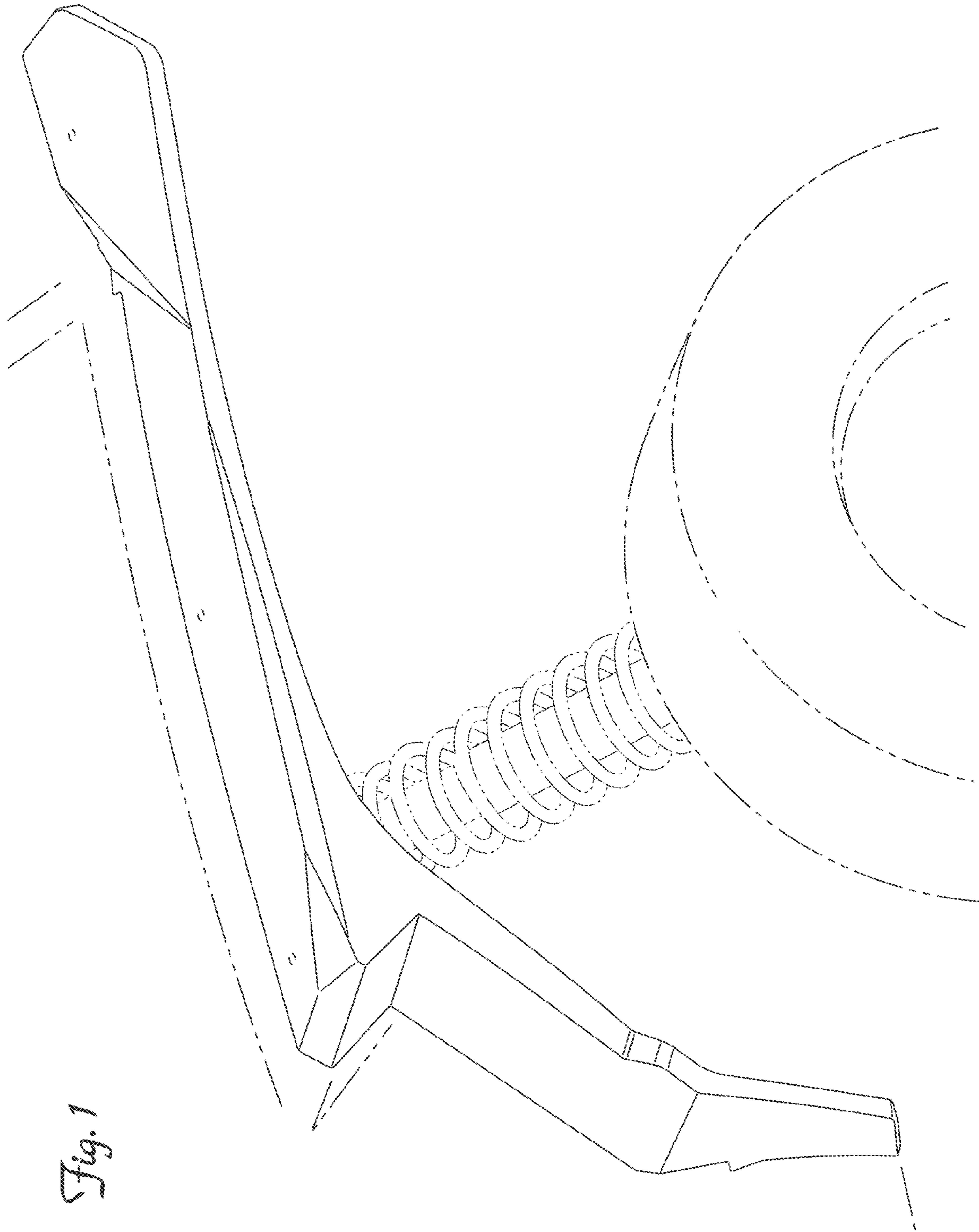


Fig. 1

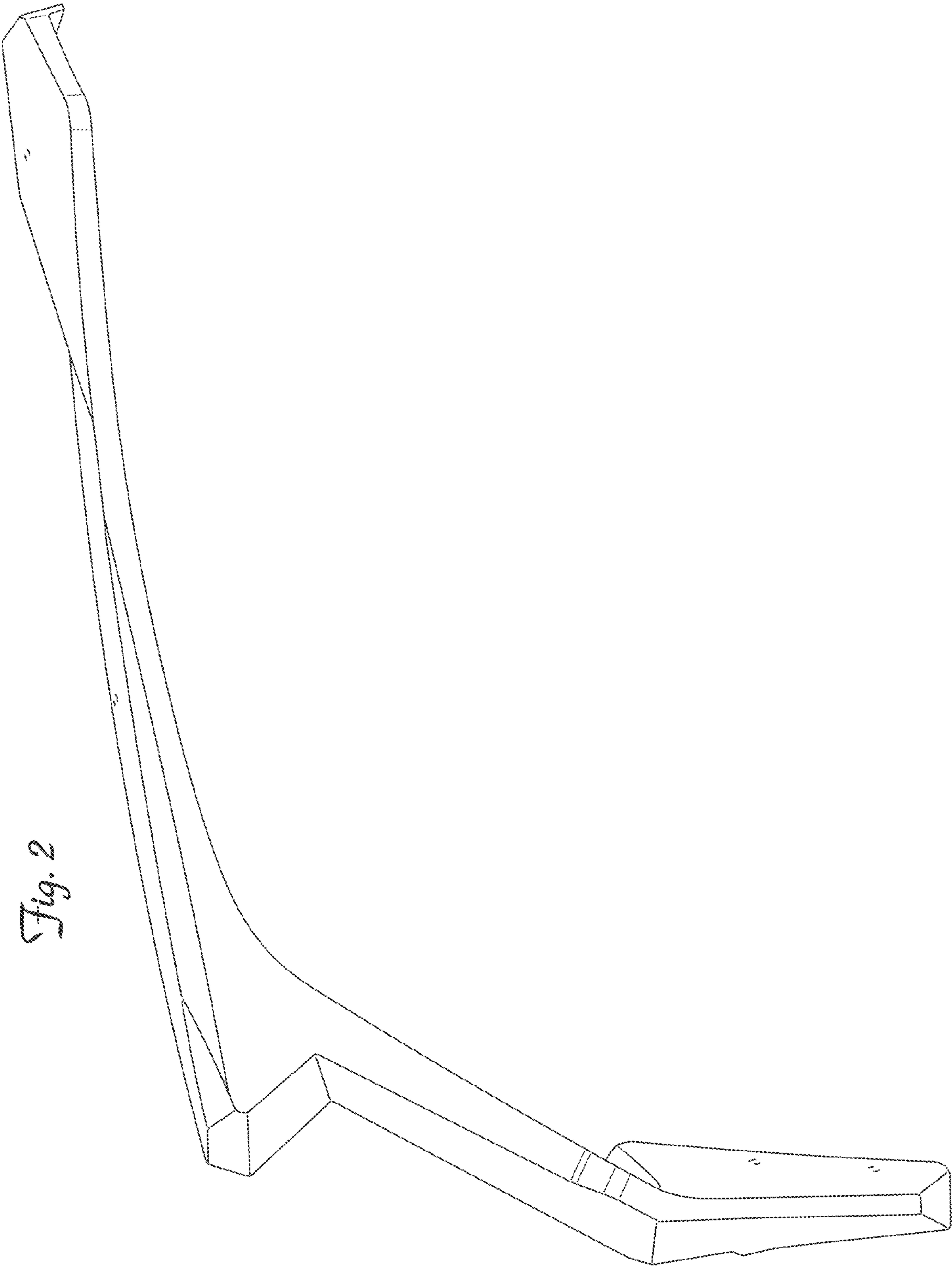
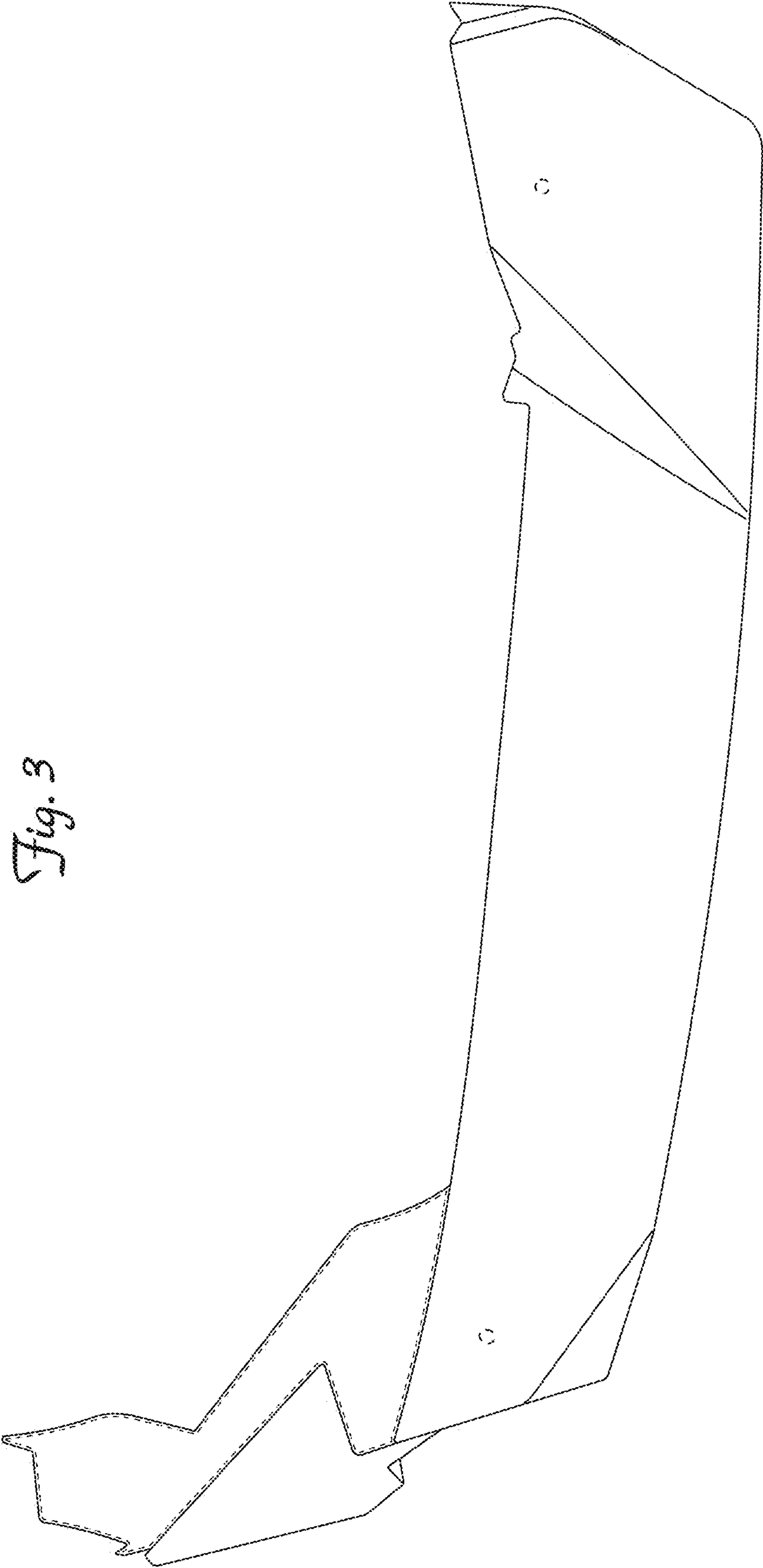
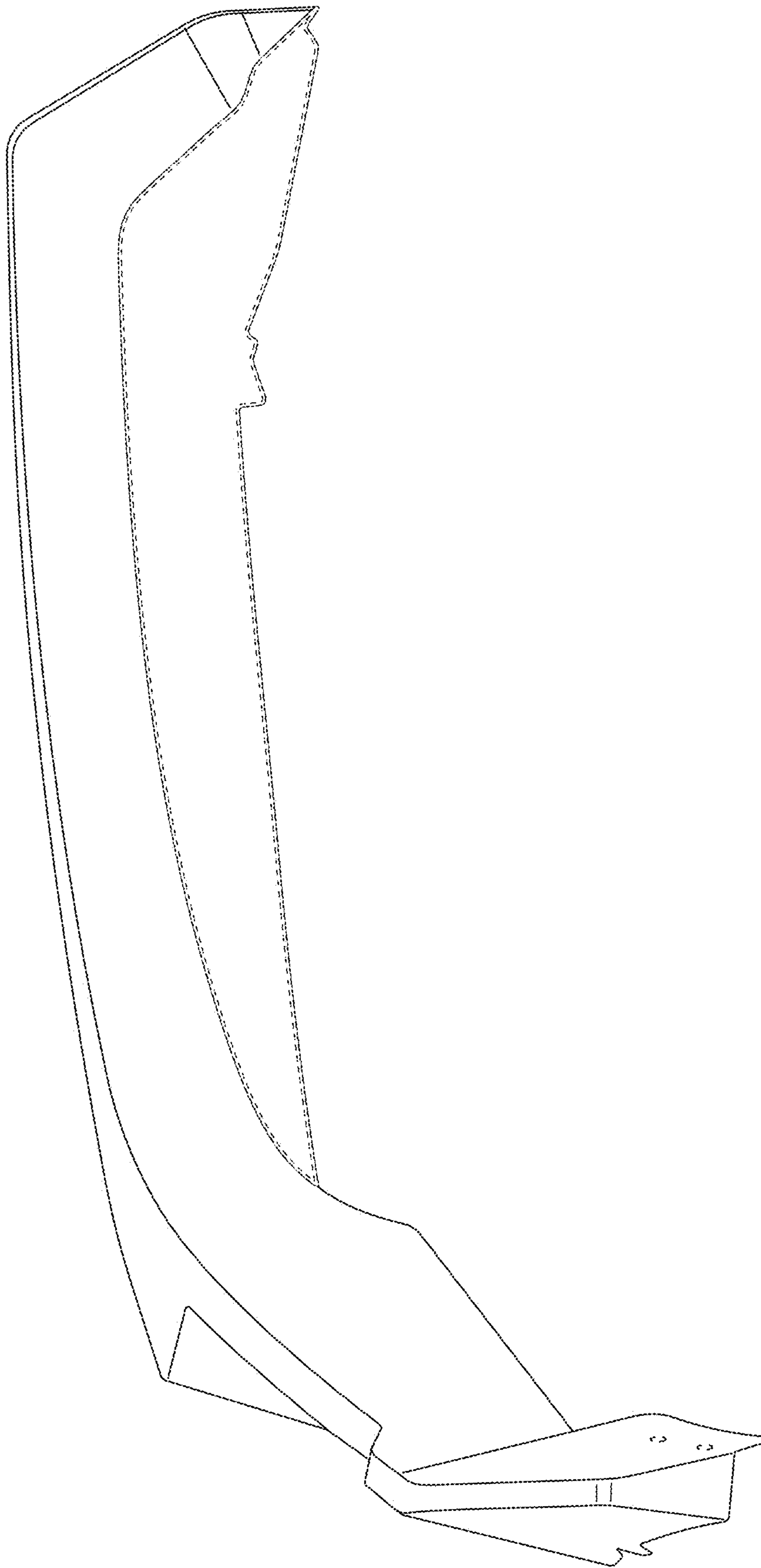


Fig. 2

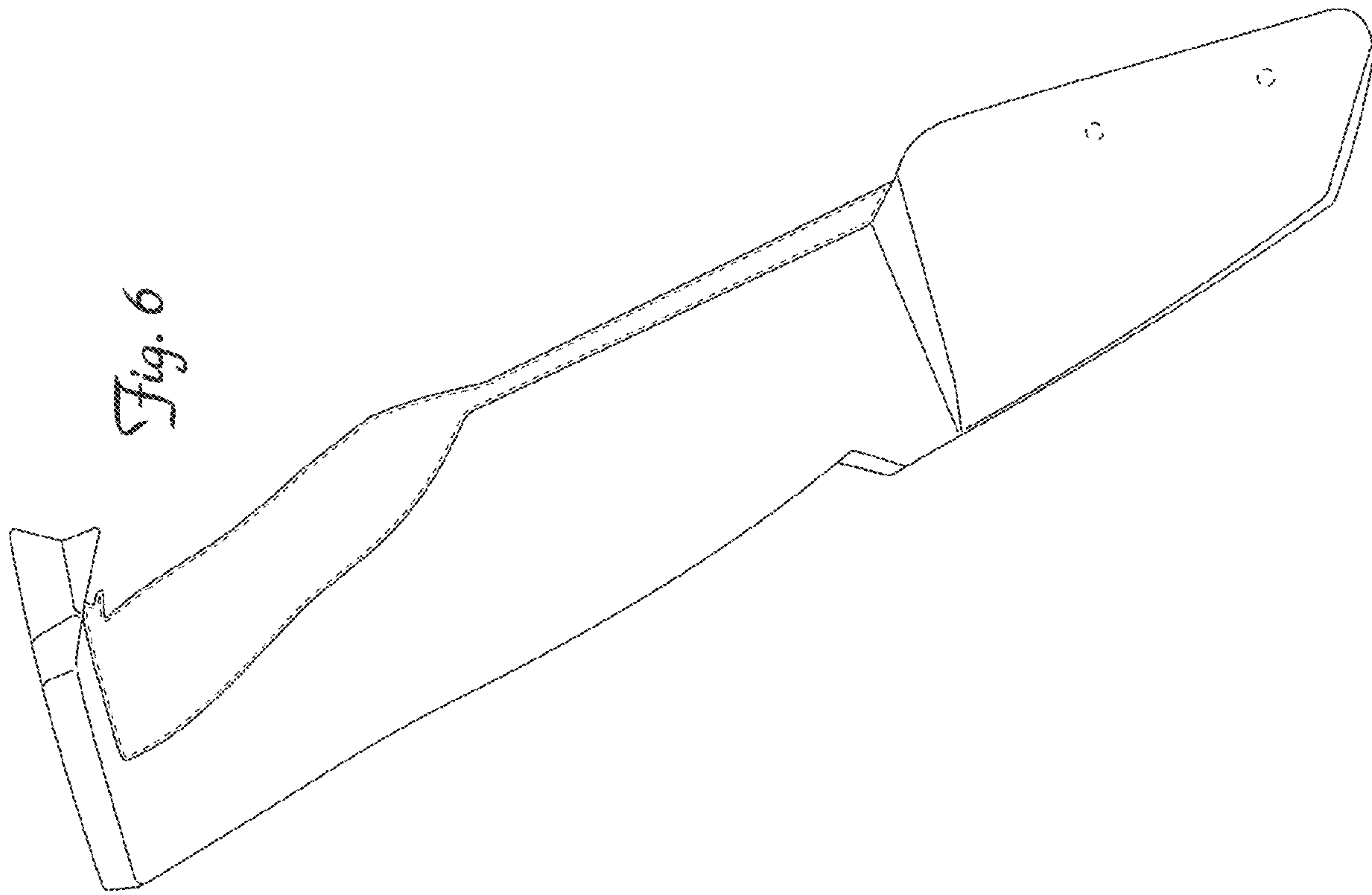


*Fig. 3*

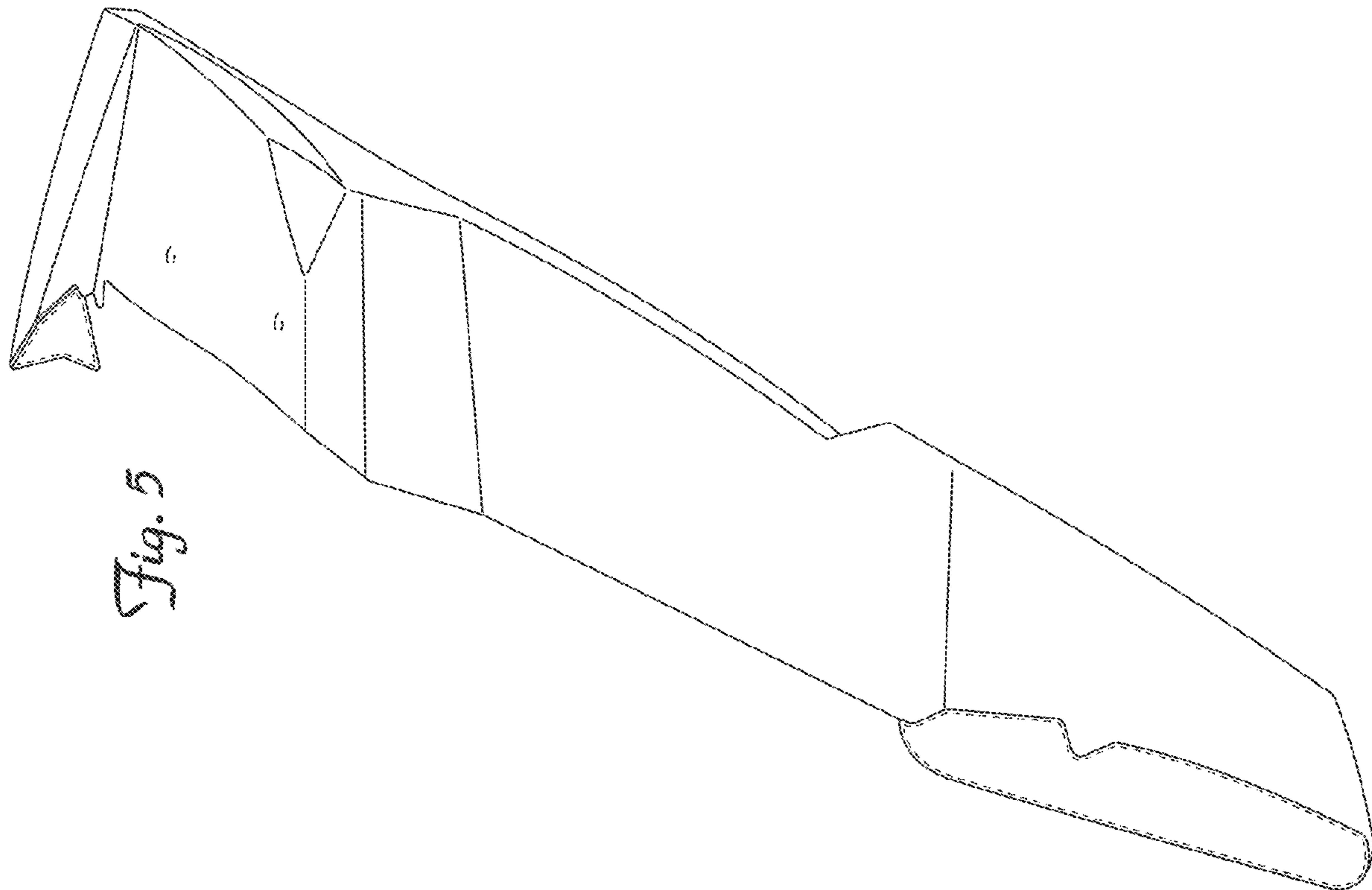
*Fig. 4*







*Fig. 6*



*Fig. 5*