



US00D988949S

(12) **United States Design Patent**
McMath

(10) **Patent No.:** **US D988,949 S**
(45) **Date of Patent:** **** Jun. 13, 2023**

(54) **PAIR OF BAR GRIP GRAB HANDLES**

(71) Applicant: **Landon Cole McMath**, Riverside, CA
(US)

(72) Inventor: **Landon Cole McMath**, Riverside, CA
(US)

(**) Term: **15 Years**

(21) Appl. No.: **29/801,581**

(22) Filed: **Jul. 29, 2021**

(51) **LOC (14) Cl.** **12-16**

(52) **U.S. Cl.**
USPC **D12/178**

(58) **Field of Classification Search**
USPC D8/303, 311, 315, 319, 320; D21/679,
D21/682; D12/114, 178
CPC Y10T 16/473; Y10T 16/476; Y10T 16/44;
B16K 11/12; A47B 95/02; B62D 24/00;
B25G 1/00

See application file for complete search history.

(56) **References Cited**

U.S. PATENT DOCUMENTS

D473,273 S *	4/2003	Crawford	D12/178
D496,893 S *	10/2004	Sieve	D12/178
D527,776 S *	9/2006	Willardson	D21/694
D547,159 S *	7/2007	Porth	D8/303
D795,974 S *	8/2017	Bush	D12/178
D842,675 S *	3/2019	Raymond	D8/308
D892,239 S *	8/2020	Carmichael	D21/694
D906,449 S *	12/2020	Garcia	D21/694
D947,300 S *	3/2022	Flick	D21/694
D954,867 S *	6/2022	Carmichael	D21/694
D959,234 S *	8/2022	Lehner, Jr.	D8/315
D965,710 S *	10/2022	Xu	D21/682
2017/0340916 A1 *	11/2017	Gennusa	A63B 1/00
2019/0240521 A1 *	8/2019	Staten	A63B 23/1218
2022/0323815 A1 *	10/2022	Simental	A63B 21/0557

OTHER PUBLICATIONS

DRT Motorsport Polaris RZR hold down grip, Sep. 25, 2021, YouTube [online], [Site Visit Jan. 4, 2023], URL: <https://www.youtube.com/watch?v=ojT6CGJYF2E> (Year: 2021) (Year: 2021).*
DRT Motorsport Polaris RZR Pro XP, UTV Source Webpage [online], [Site Visit Jan. 4, 2023], URL: <https://www.utvsource.com/drt-motorsports-polaris-rzr-pro-xp-pro-r-turbo-r-rear-seat-hold-down-grips-pair/> (Year: 2022) (Year: 2022).*
DRT RZR Pro XP Seat Hold Down Grips—Pair, DRT Motor Sports Webpage [online], [Site Visit Jan. 4, 2023], URL: <https://drtmotorsports.com/products/drt-rzr-pro-xp-2020-rear-seat-hold-down-grips-pair> (Year: 2022) (Year: 2022).*

* cited by examiner

Primary Examiner — Calvin E Vansant
Assistant Examiner — Giang Hoang Tran
(74) *Attorney, Agent, or Firm* — Curtis L. Harrington;
Harrington & Harrington

(57) **CLAIM**

The ornamental design for a pair of bar grip grab handles, as shown and described.

DESCRIPTION

FIG. 1 is an lower rearward perspective view of a pair of bar grip grab handles, in use orientation showing my new design;

FIG. 2 is a rear elevational view thereof;

FIG. 3 is a front elevational view thereof;

FIG. 4 is a right side elevational view thereof;

FIG. 5 is a left side elevational view thereof;

FIG. 6 bottom plan view thereof; and,

FIG. 7 is a top plan view thereof.

The broken lines depict environmental subject mater only and form no part of the claim.

The other of the pair of bar grip grab handles, having a mirror image, is not separately illustrated in the drawing views.

1 Claim, 3 Drawing Sheets

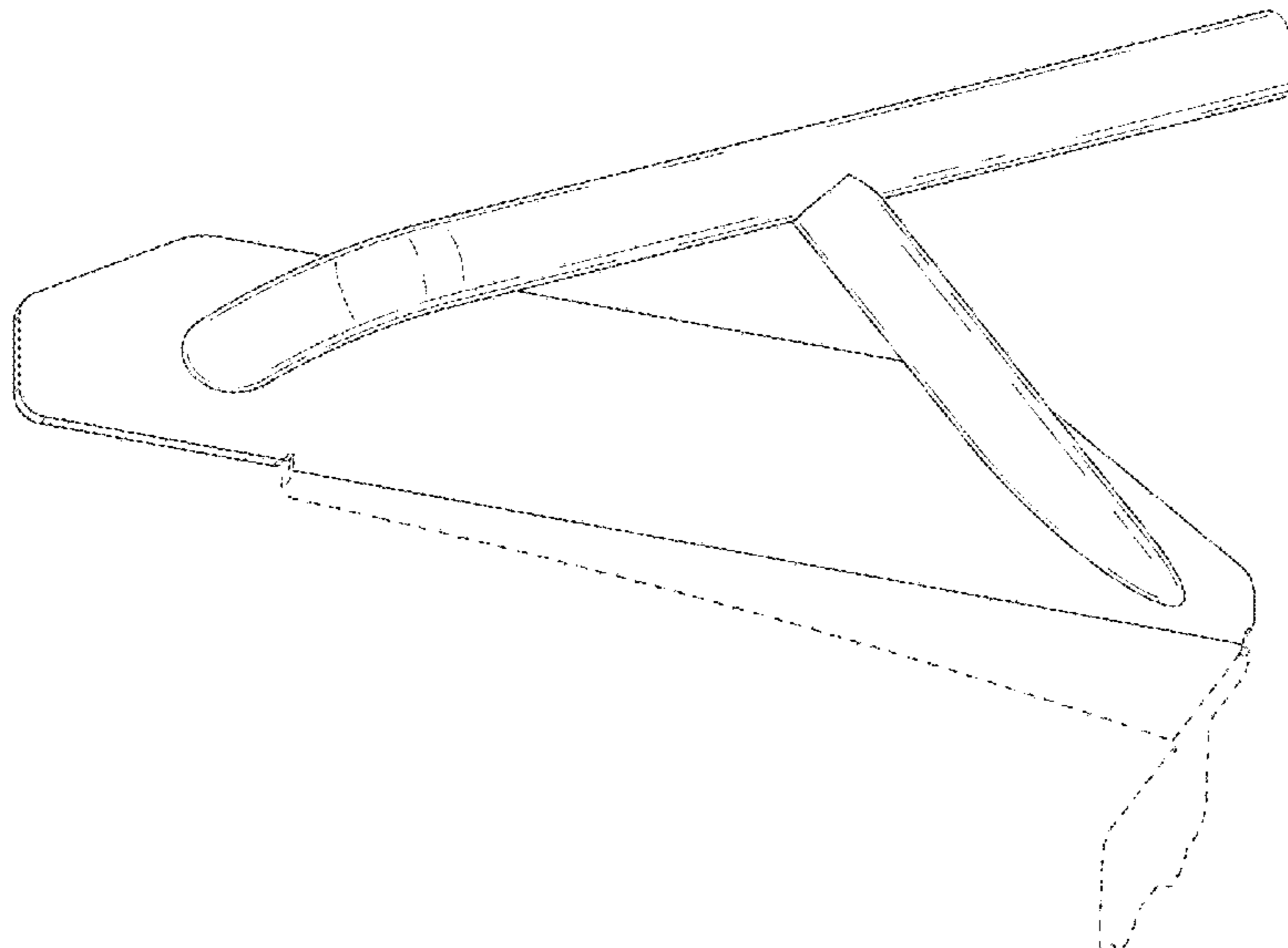


FIG. 1

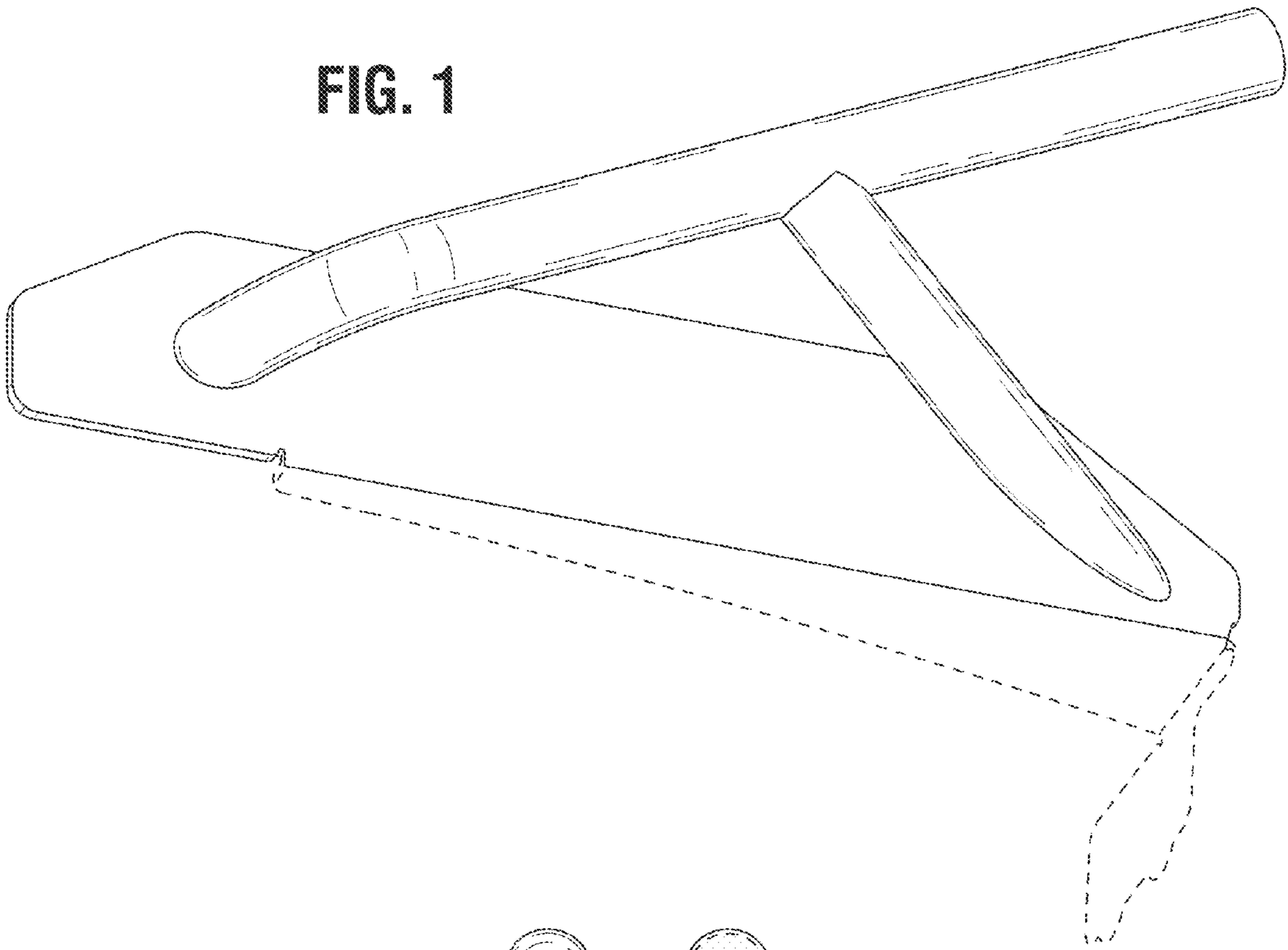


FIG. 2

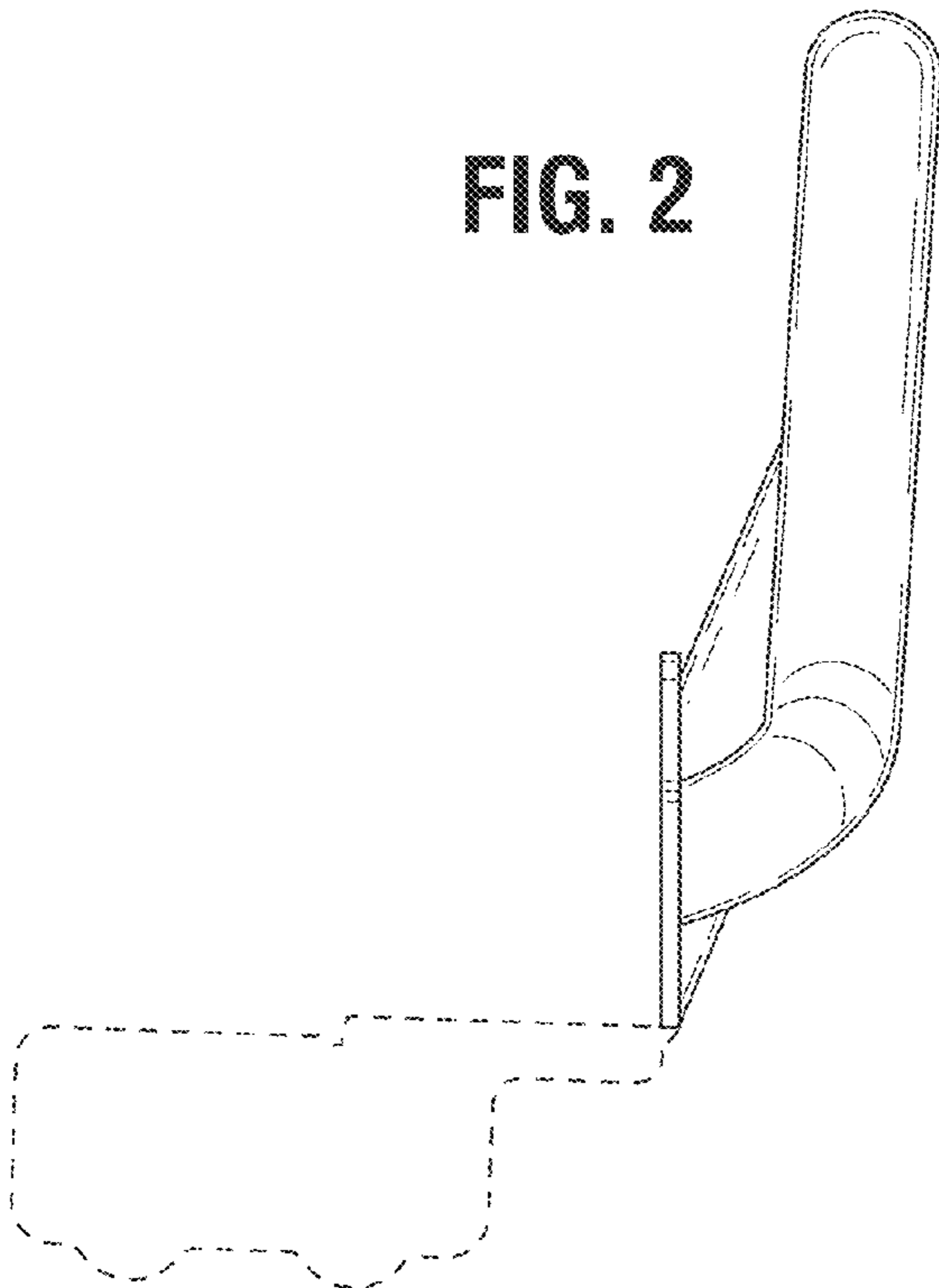


FIG. 3

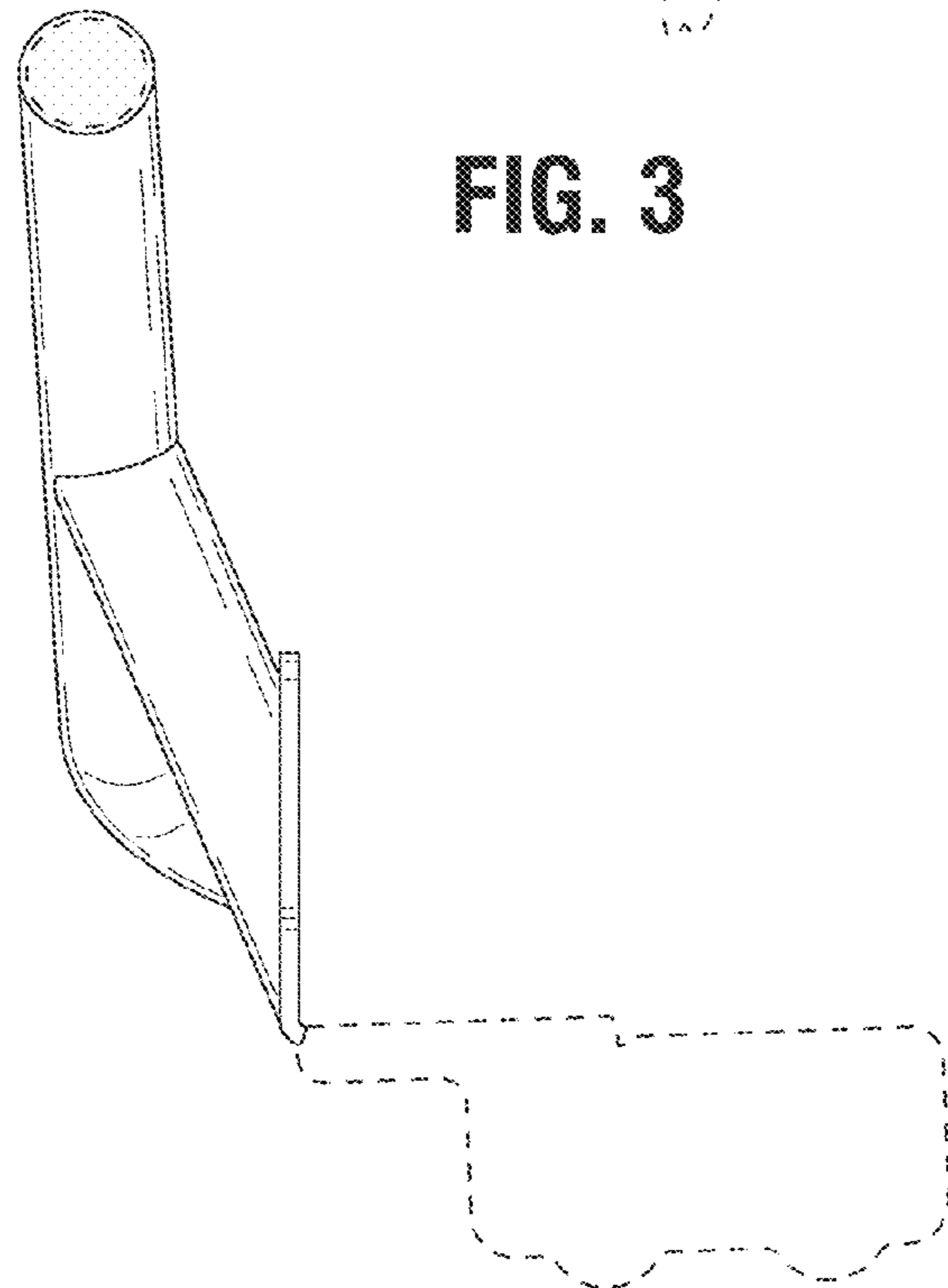


FIG. 4

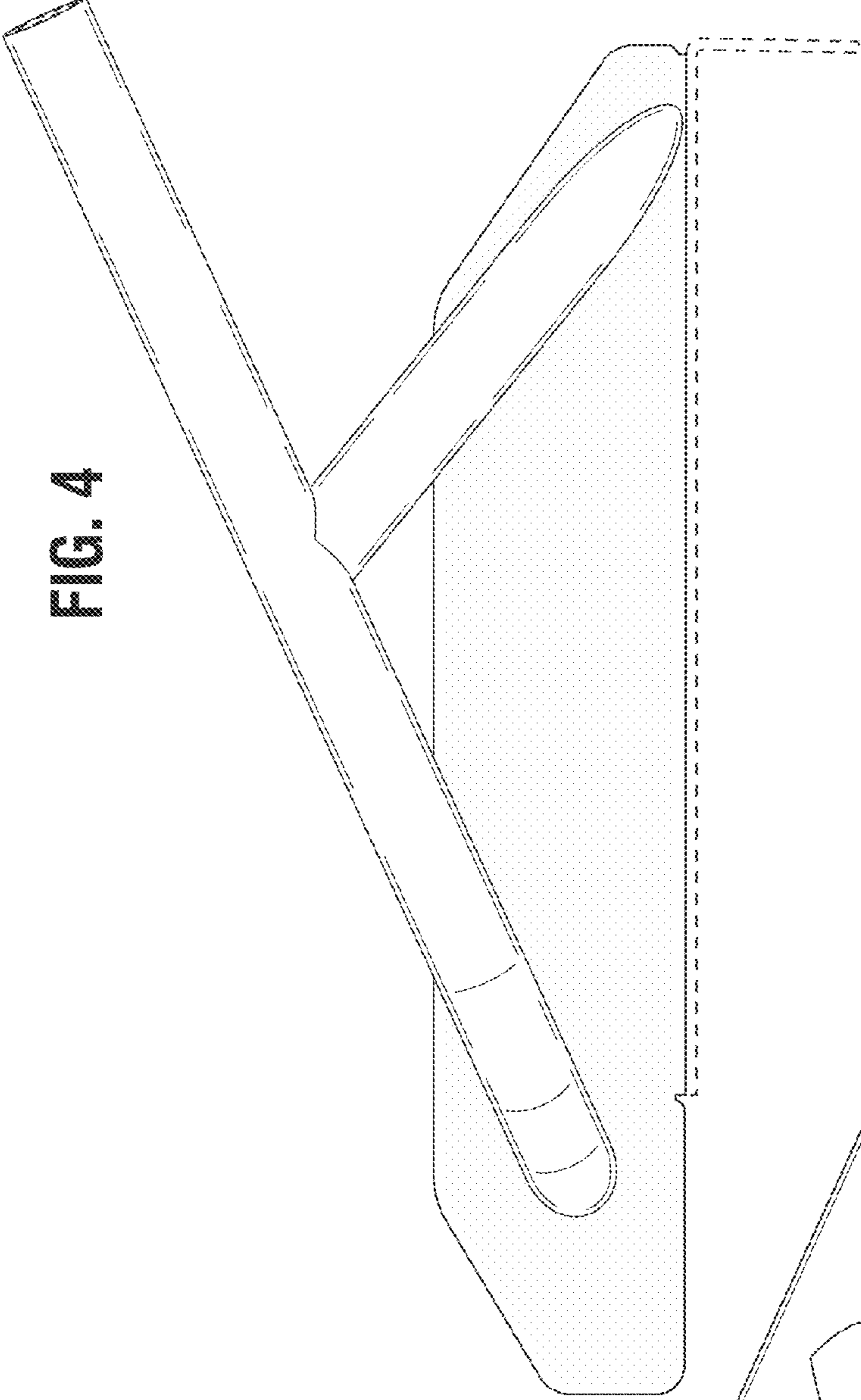


FIG. 5

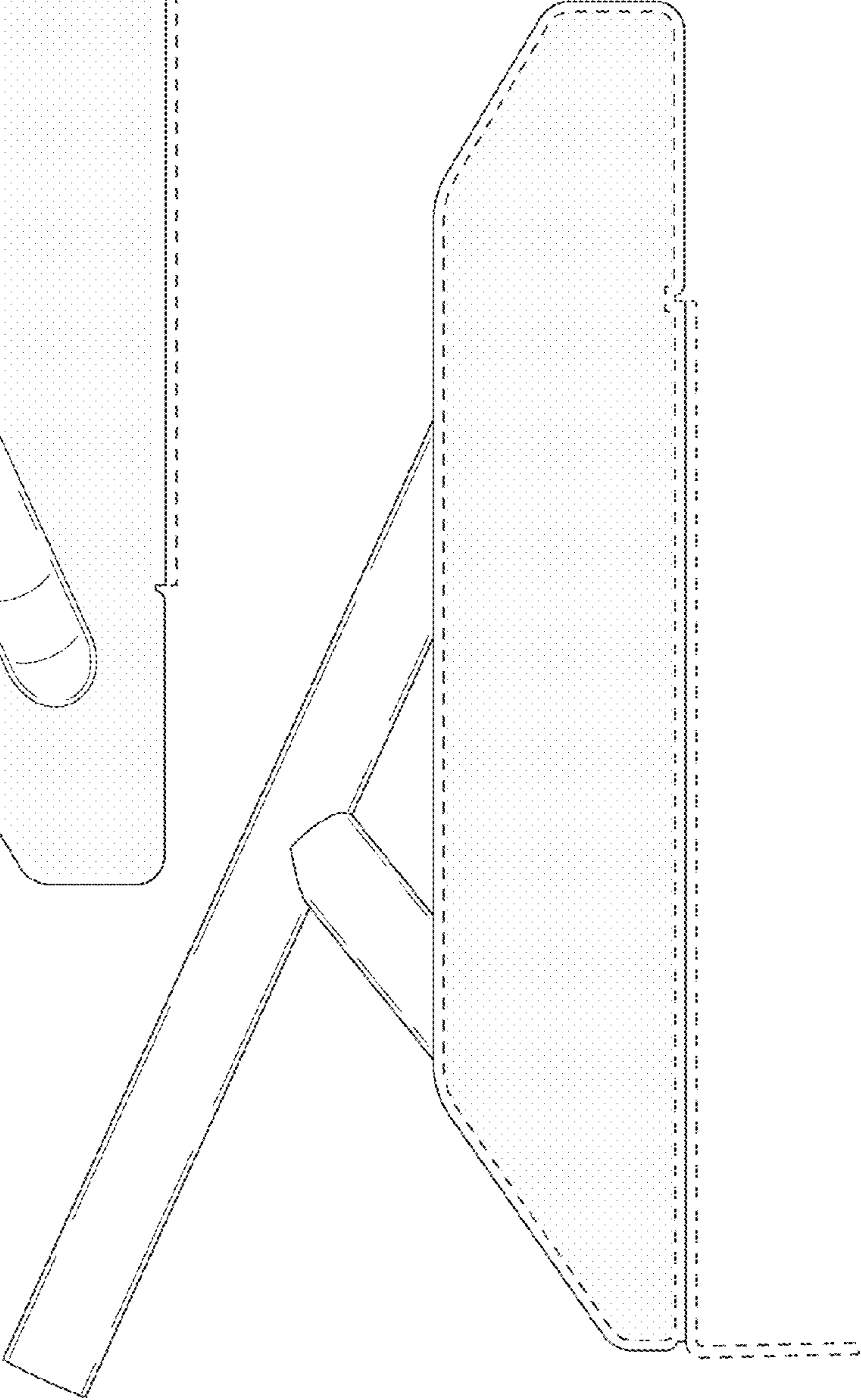


FIG. 6

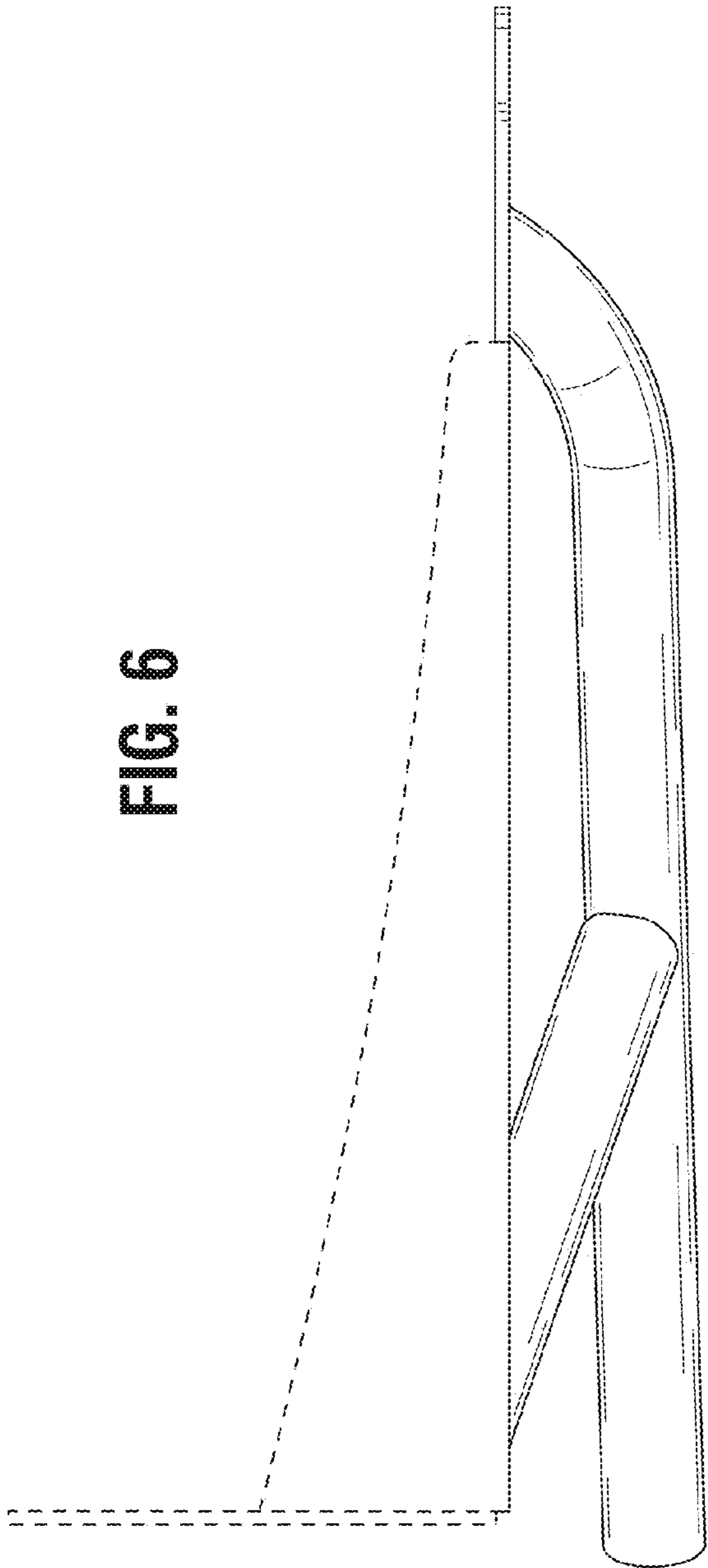


FIG. 7

