



US00D988944S

(12) **United States Design Patent**  
**Huerta Martinez et al.**

(10) **Patent No.:** **US D988,944 S**

(45) **Date of Patent:** **\*\* Jun. 13, 2023**

(54) **RADIATOR GRILLE FOR VEHICLE**

(71) Applicant: **AUDI AG**, Ingolstadt (DE)

(72) Inventors: **Juan Carlos Huerta Martinez**,  
Ingolstadt (DE); **Stephan Fahr-Becker**,  
Ingolstadt (DE)

(73) Assignee: **AUDI AG**, Ingolstadt (DE)

(\*\*) Term: **15 Years**

(21) Appl. No.: **29/819,640**

(22) Filed: **Dec. 16, 2021**

(30) **Foreign Application Priority Data**

Jun. 21, 2021 (EM) ..... 008 584 411

(51) **LOC (14) Cl.** ..... **12-16**

(52) **U.S. Cl.**  
USPC ..... **D12/163**

(58) **Field of Classification Search**

USPC ..... D12/169, 196, 86, 90-92, 163, 190, 98,  
D12/164, 84, 100; 293/102, 113, 115,  
293/117, 120, 193.11; 296/180.1, 180.2;  
180/68.1, 68.6

CPC ..... B60R 19/52; B60K 11/08; B62D 25/08;  
B62B 9/16

See application file for complete search history.

(56) **References Cited**

**U.S. PATENT DOCUMENTS**

D799,386 S \* 10/2017 Kozub ..... D12/163

D803,732 S \* 11/2017 Yang ..... D12/163

D812,525 S \* 3/2018 Lee ..... D12/163  
D818,892 S \* 5/2018 Lee ..... D12/163  
D821,932 S \* 7/2018 Andoh ..... D12/163  
D891,312 S \* 7/2020 Brendel ..... D12/163  
D901,339 S \* 11/2020 Fahr-Becker ..... D12/163  
D901,340 S \* 11/2020 Löffler ..... D12/163  
D903,541 S \* 12/2020 Russo ..... D12/163  
D907,539 S \* 1/2021 Kirsch ..... D12/163  
D907,540 S \* 1/2021 Kirsch ..... D12/163  
D930,518 S \* 9/2021 Hirzel ..... D12/163  
D936,532 S \* 11/2021 Bernardi ..... D12/163

\* cited by examiner

*Primary Examiner* — Melody N Brown

(74) *Attorney, Agent, or Firm* — Lucas & Mercanti, LLP;  
Klaus P. Stoffel

(57) **CLAIM**

The ornamental design for a radiator grille for vehicle, as shown and described.

**DESCRIPTION**

FIG. 1 is a front and right side perspective view of a radiator grille for vehicle showing our new design;

FIG. 2 is a front view thereof;

FIG. 3 is a rear view thereof;

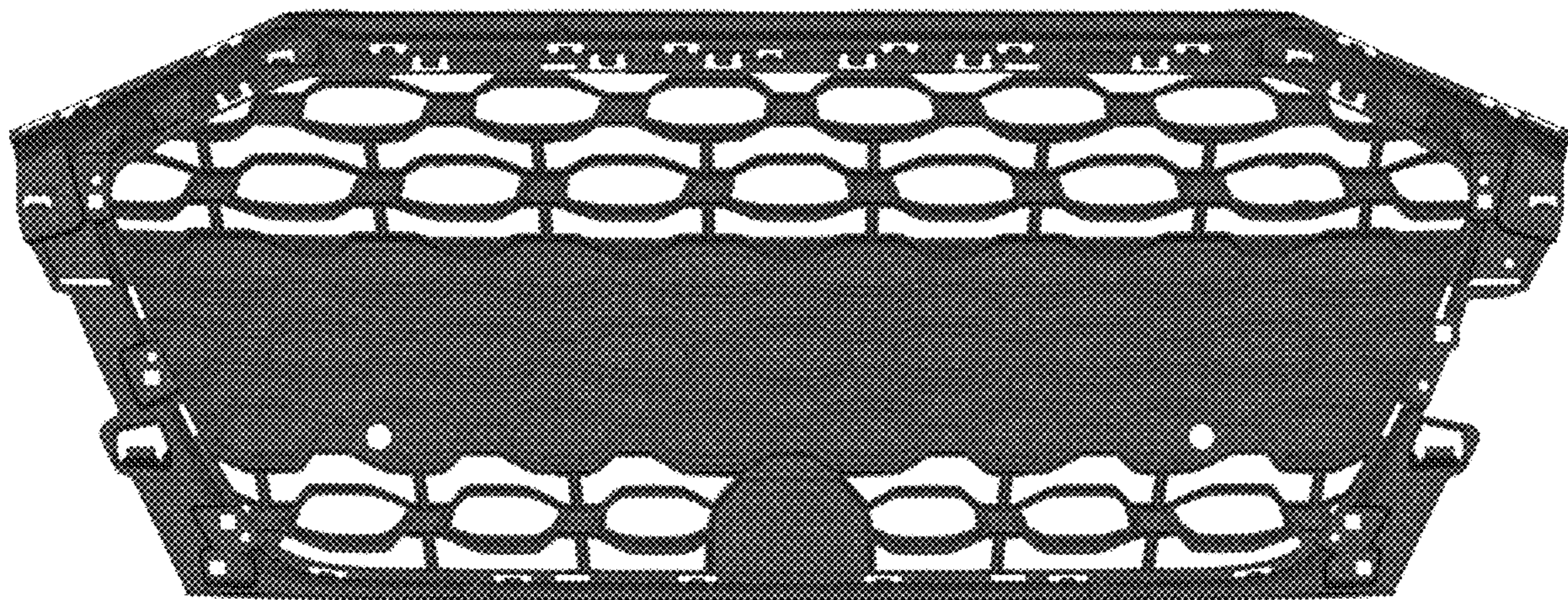
FIG. 4 is a left side view thereof;

FIG. 5 is a right side view thereof;

FIG. 6 is a top view thereof; and,

FIG. 7 is a bottom view thereof.

**1 Claim, 5 Drawing Sheets**



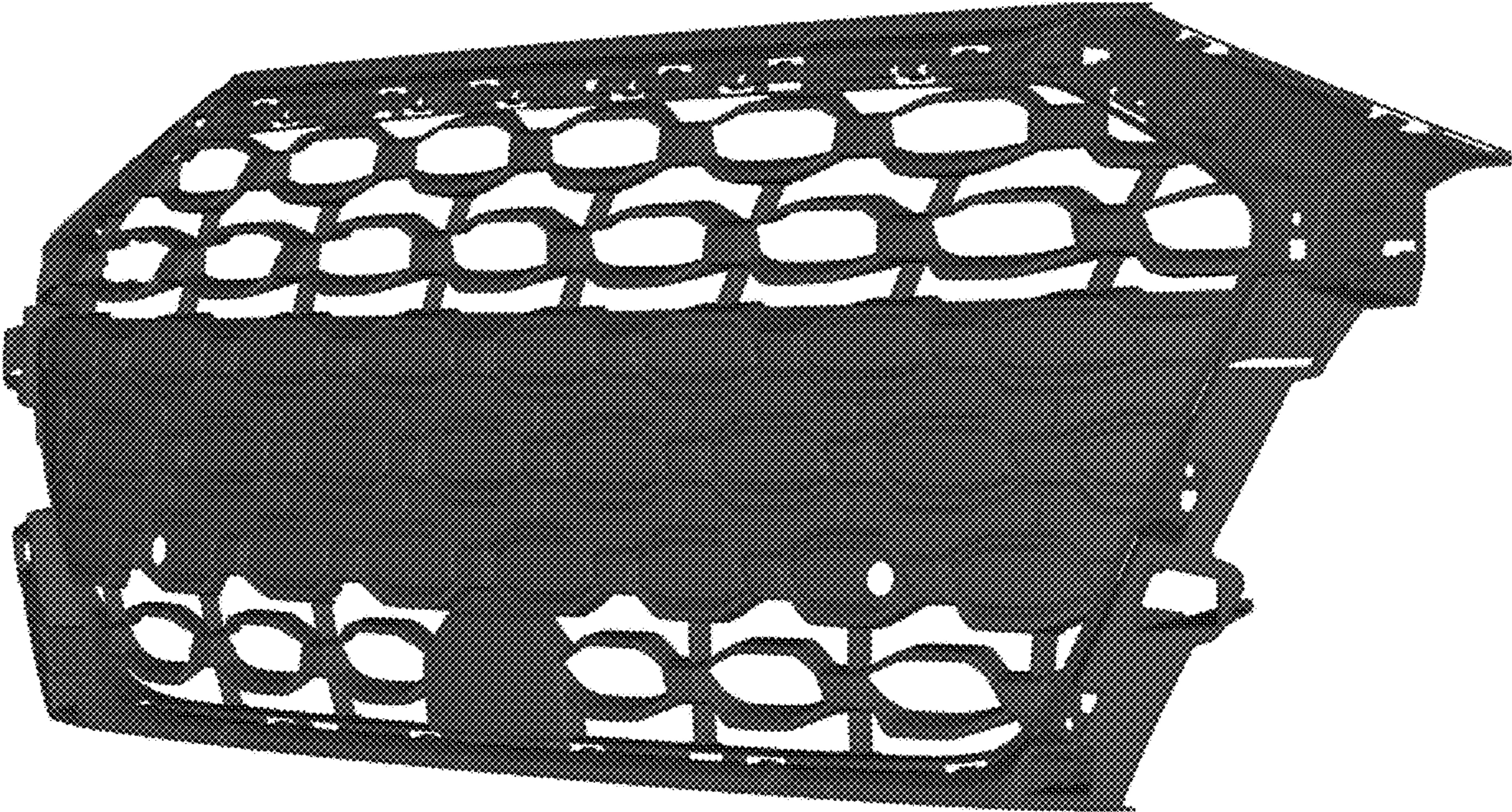


Fig. 1

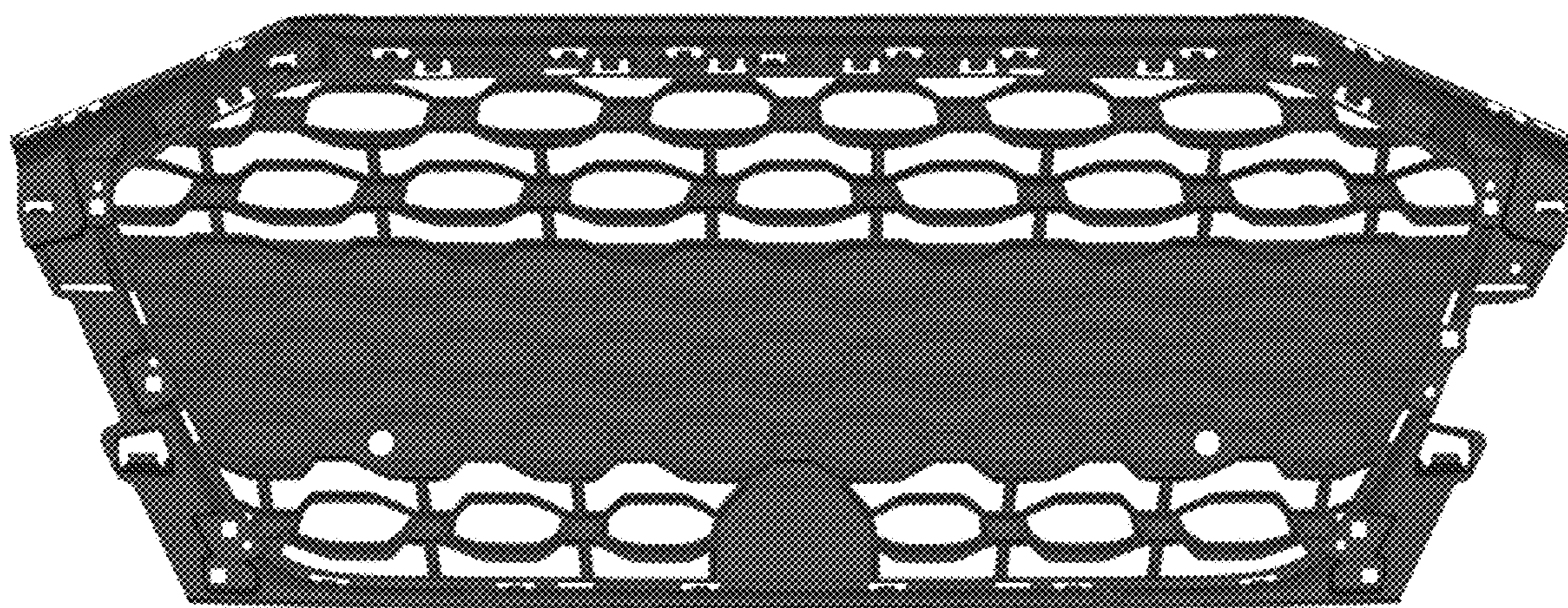


Fig. 2

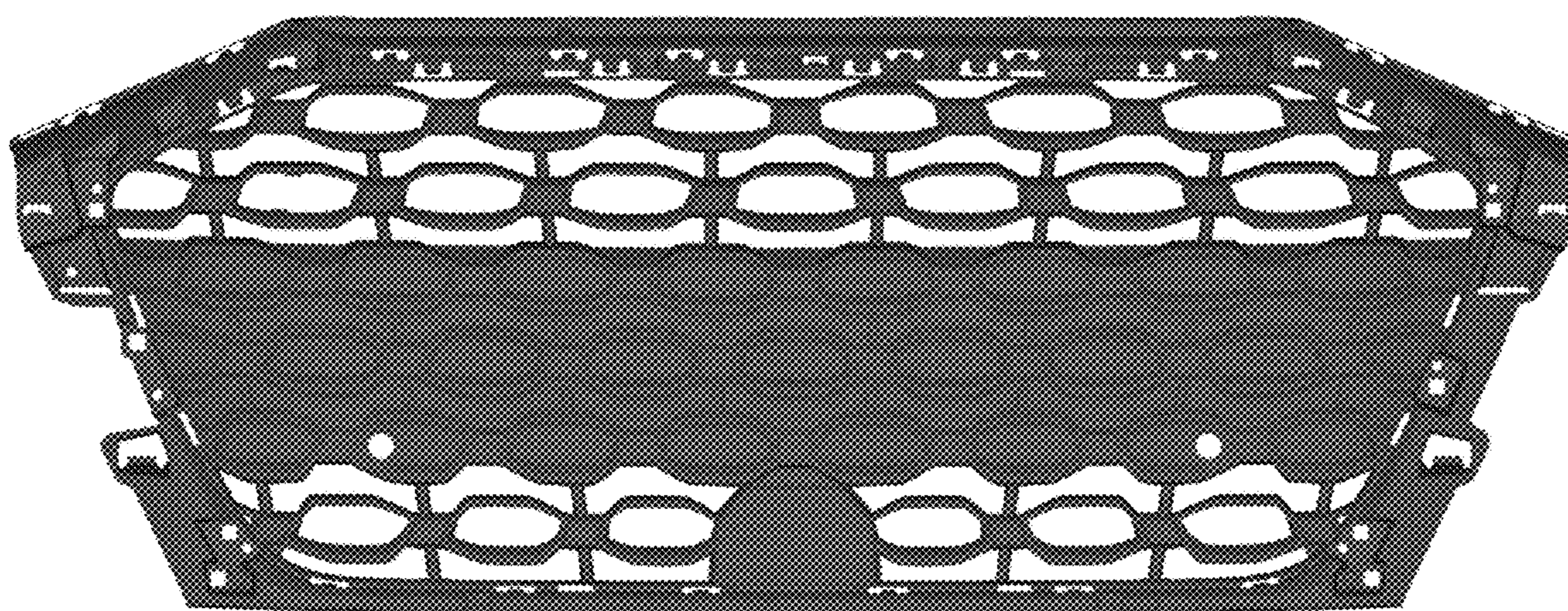
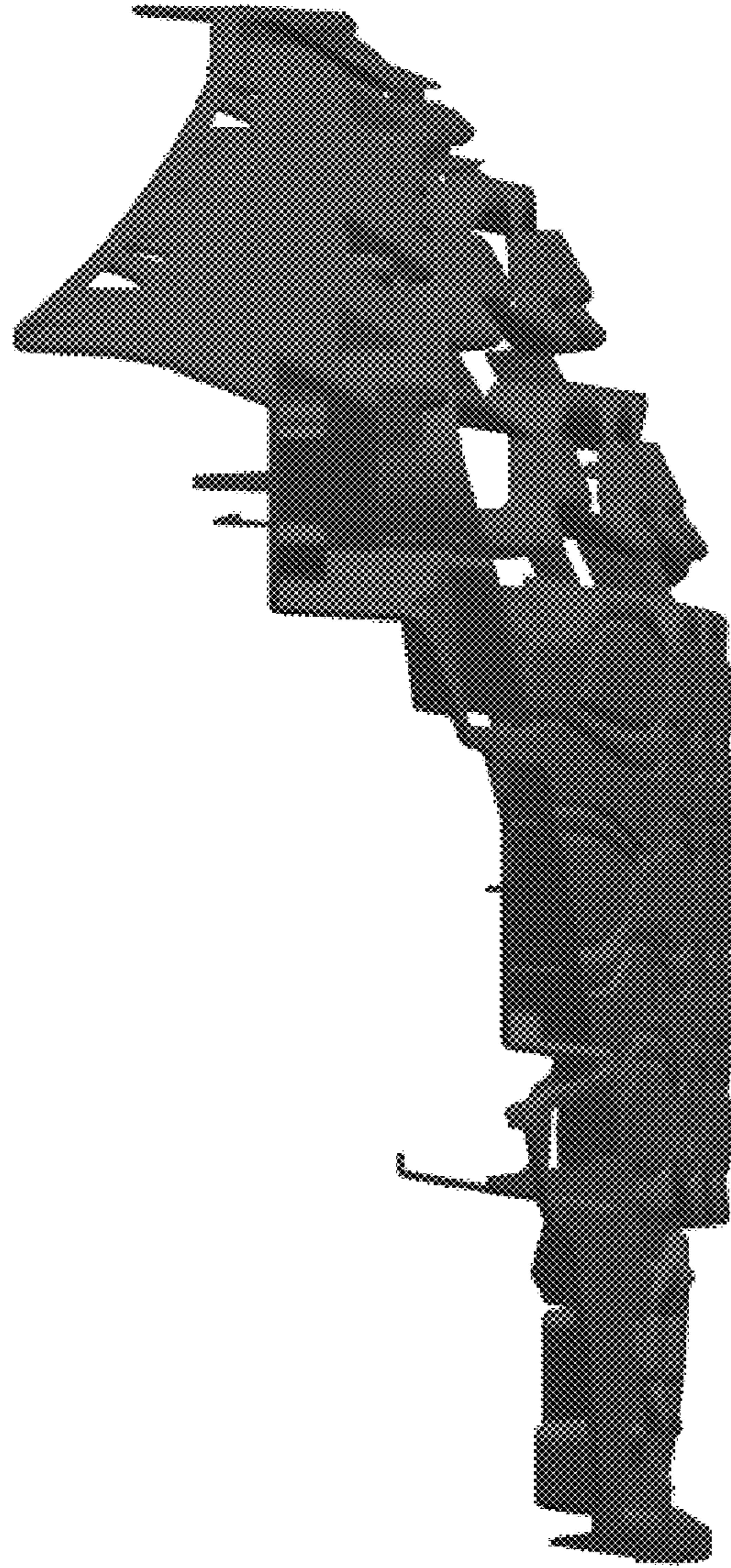
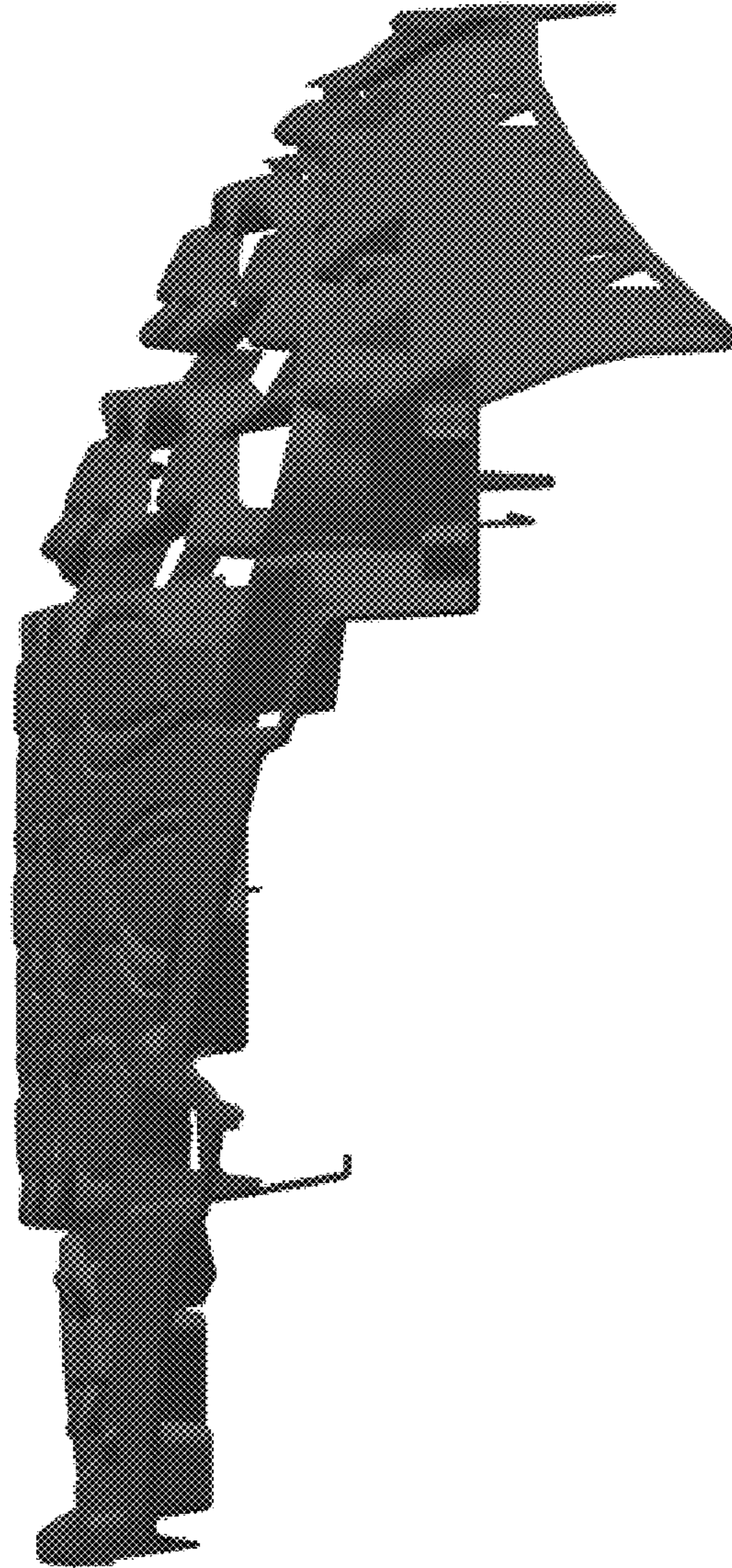


Fig. 3



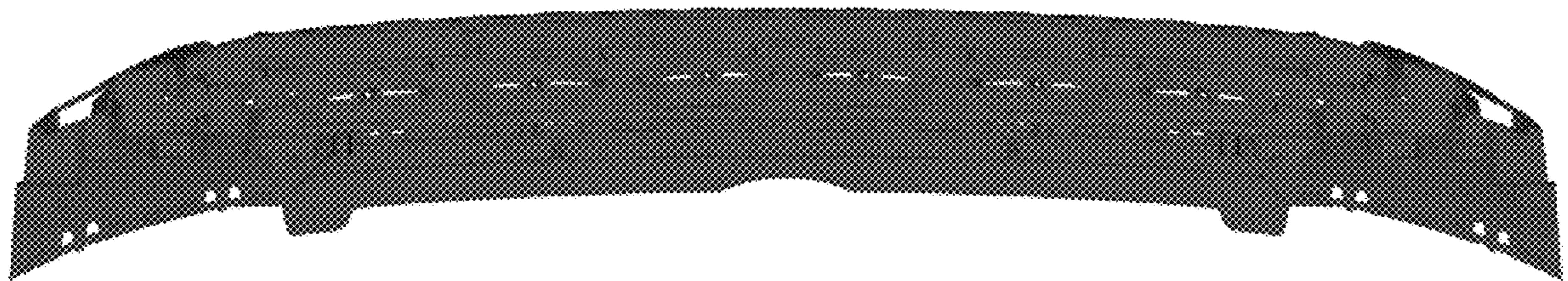
**Fig. 4**



**Fig. 5**



**Fig. 6**



**Fig. 7**