



US00D988939S

(12) **United States Design Patent**
Gu

(10) **Patent No.:** **US D988,939 S**
(45) **Date of Patent:** **** Jun. 13, 2023**

- (54) **DUAL-SIDED BIKE PEDAL**
- (71) Applicant: **Haidong Gu**, Pomona, CA (US)
- (72) Inventor: **Haidong Gu**, Pomona, CA (US)
- (73) Assignee: **CYCLINGDEAL USA, INC.**, Pomona, CA (US)
- (**) Term: **15 Years**
- (21) Appl. No.: **29/782,779**
- (22) Filed: **May 10, 2021**
- (51) **LOC (14) Cl.** **12-11**
- (52) **U.S. Cl.**
USPC **D12/125**
- (58) **Field of Classification Search**
USPC D12/111, 113, 114, 117, 118, 119, 125;
D21/424-435, 663, 694, 768
CPC B62K 21/02; B62K 21/06; B62K 25/02;
B62K 19/16; B62K 25/08; B62M 3/086;
A43B 5/14; A43C 11/14
See application file for complete search history.

D978,736 S * 2/2023 Gu D12/125
2006/0016102 A1* 1/2006 Xie A43B 5/14
36/131
2012/0167711 A1* 7/2012 Hsieh B62M 3/086
74/594.6

(Continued)

FOREIGN PATENT DOCUMENTS

CN 201530267342 * 1/2016

OTHER PUBLICATIONS

Amazon.com, Bucklos look delta, SPD spin bike bicycle pedal, published Apr. 20, 2022 [retrieved Mar. 28, 2023]. Retrieved from the internet<<https://www.amazon.com/dp/B09YD1YS1B>> (Year: 2022).*

(Continued)

Primary Examiner — Joseph Kukella
Assistant Examiner — Lavon M. Amerson

(57) **CLAIM**

The ornamental design for a dual-sided bike pedal, as shown and described.

DESCRIPTION

FIG. 1 is a front-right-top perspective view of the dual-sided bike pedal showing my new design; FIG. 2 is a front elevational view thereof; FIG. 3 is a rear front elevational view thereof; FIG. 4 is a left side elevational view thereof; FIG. 5 is a right side elevational view thereof; FIG. 6 is a top plan view thereof; FIG. 7 is a bottom plan view thereof; and, FIG. 8 is a perspective view from another angle of view thereof.

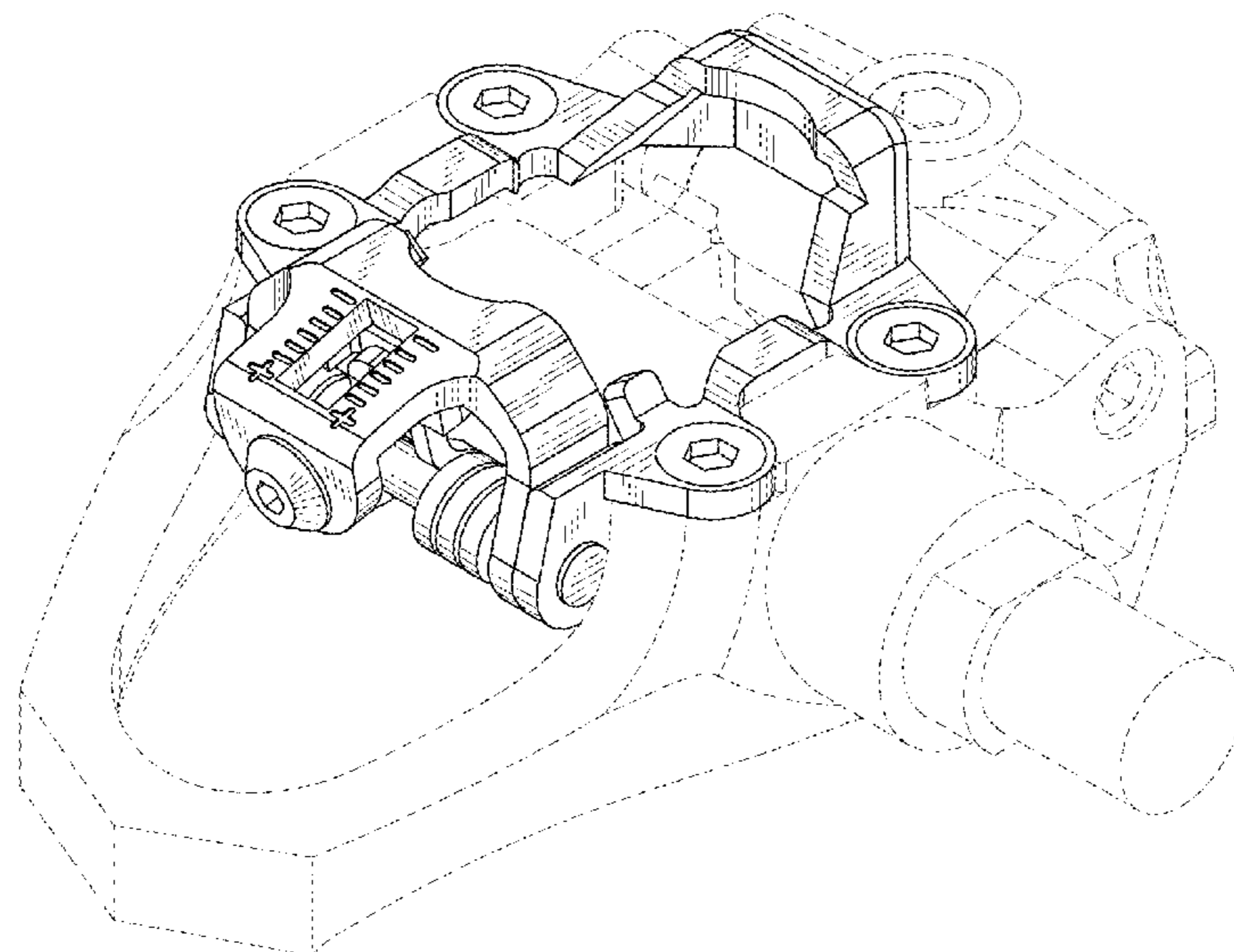
The broken lines in the drawings illustrate portions of the dual-sided bike pedal which form no part of the claimed design.

1 Claim, 8 Drawing Sheets

(56) **References Cited**

U.S. PATENT DOCUMENTS

- D280,192 S * 8/1985 Watanabe D12/125
- D387,706 S * 12/1997 Hanamura D12/125
- 6,012,356 A * 1/2000 Ueda B62M 3/086
74/594.6
- 6,085,614 A * 7/2000 Lin B62M 3/086
D12/125
- D739,313 S * 9/2015 Chen D12/125
- 9,969,460 B1 * 5/2018 Chen B62M 3/086
- 10,207,769 B1 * 2/2019 Chen B62M 3/086
- 10,272,969 B1 * 4/2019 Chen B62M 3/086
- 10,787,226 B1 * 9/2020 Chen B62M 3/086
- 11,124,265 B1 * 9/2021 Liu B62M 3/083
- D953,209 S * 5/2022 Liu B62M 3/086
D12/125
- D970,396 S * 11/2022 Liu D12/125
- D973,551 S * 12/2022 Yao D12/125



(56)

References Cited

U.S. PATENT DOCUMENTS

2014/0311282 A1* 10/2014 Inoue B62M 3/086
74/594.6
2017/0101157 A1* 4/2017 Hsieh B62M 3/086
2020/0102049 A1* 4/2020 Inoue B62M 3/086

OTHER PUBLICATIONS

Amazon.com, Mountain Bike Pedal-Dual Function Bicycle Flat Pedals, published Mar. 20, 2022 [retrieved Mar. 28, 2023]. Retrieved from the internet<<https://www.amazon.com/Mountain-Pedals-Function-Platform-Compatible/dp/B09W16M9P5?th=1>> (Year: 2022).*

* cited by examiner

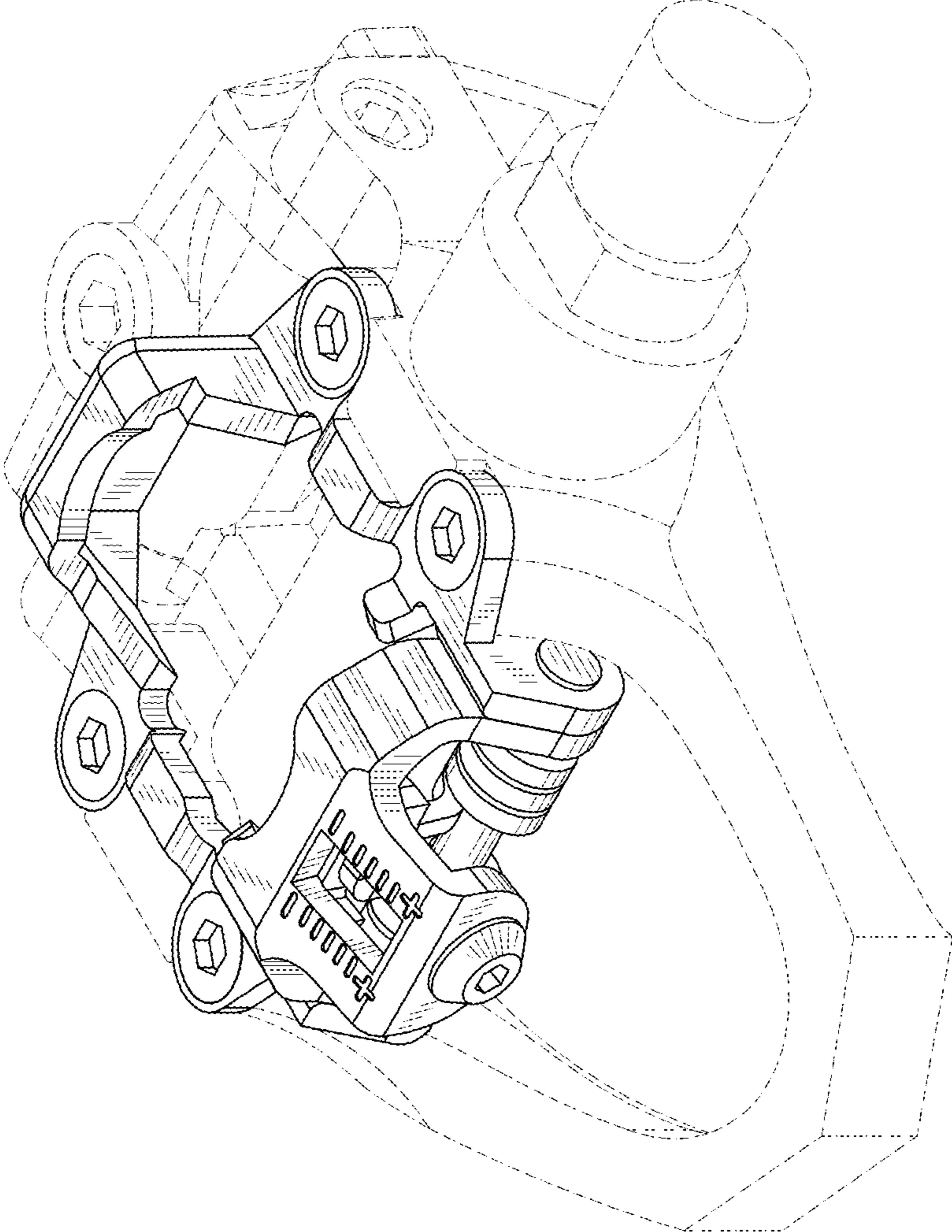


FIG.1

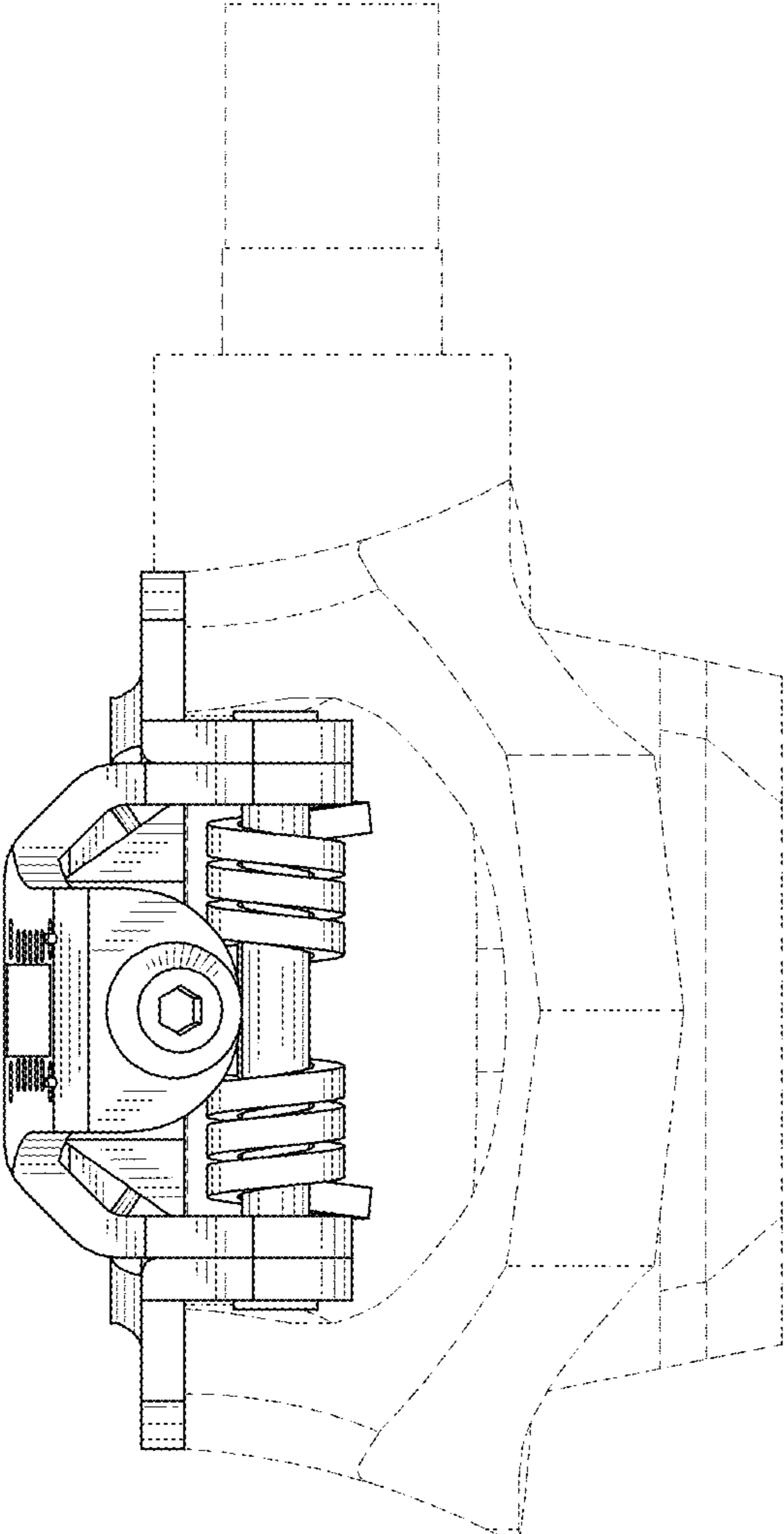


FIG. 2

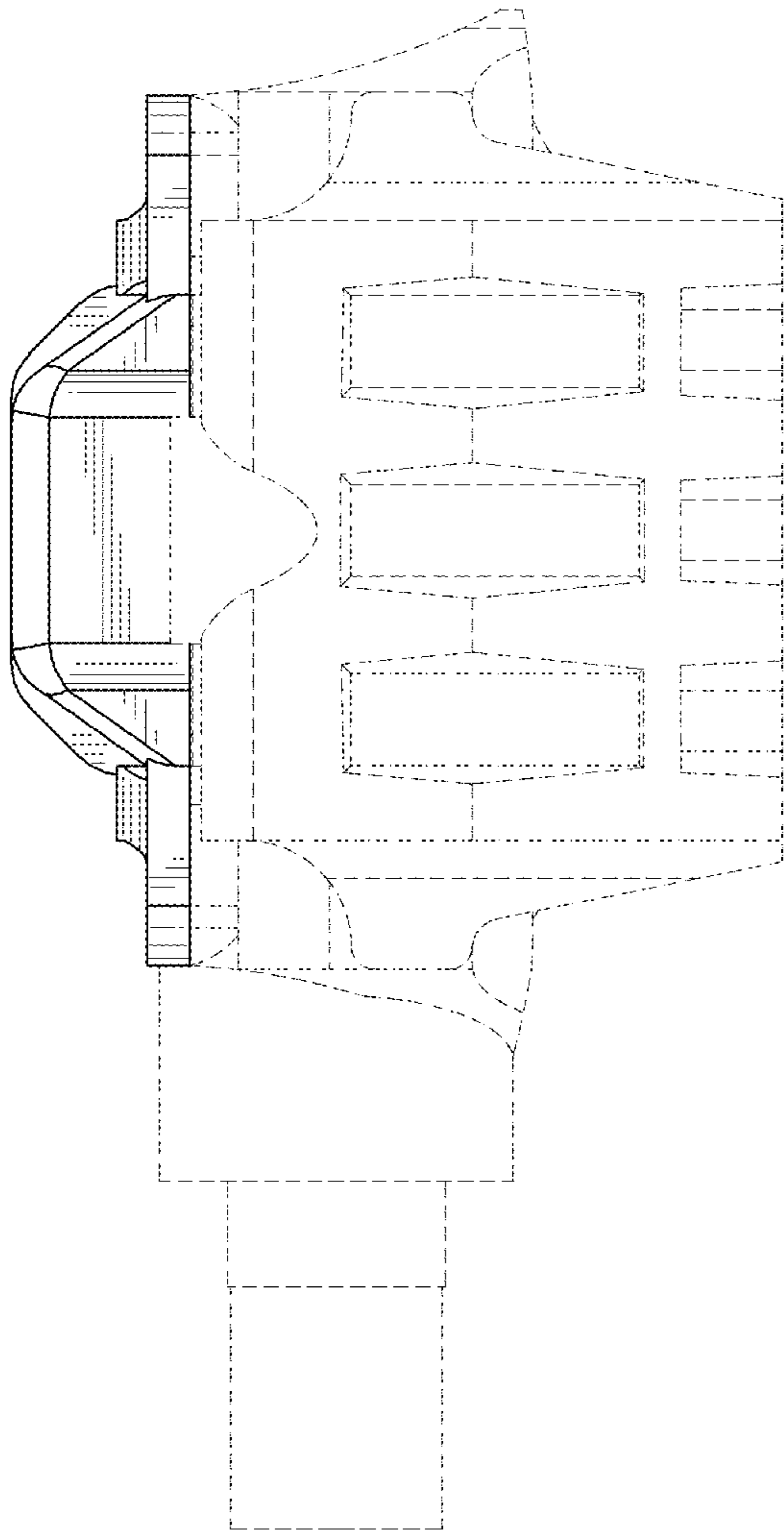


FIG.3

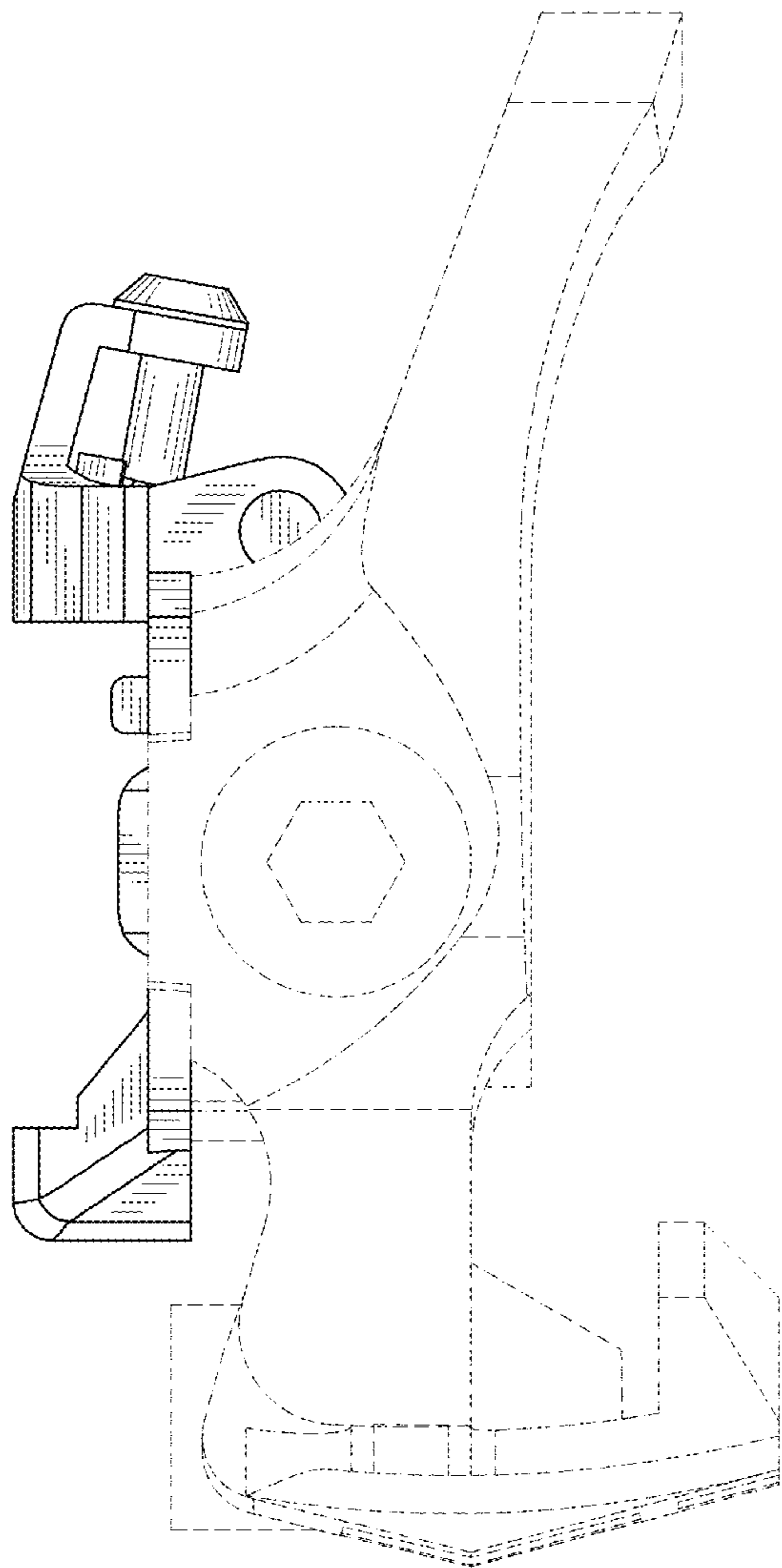


FIG.4

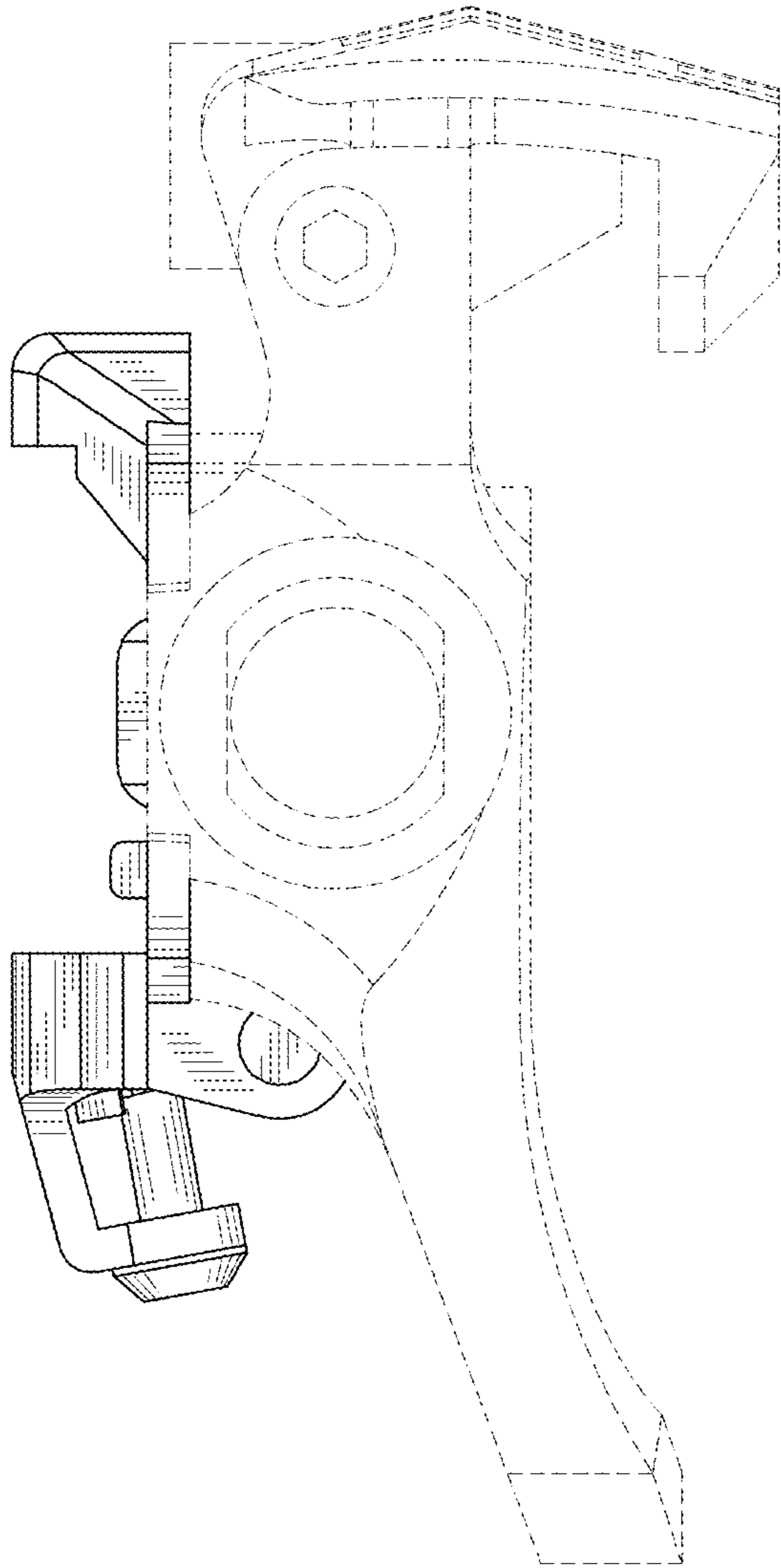


FIG. 5

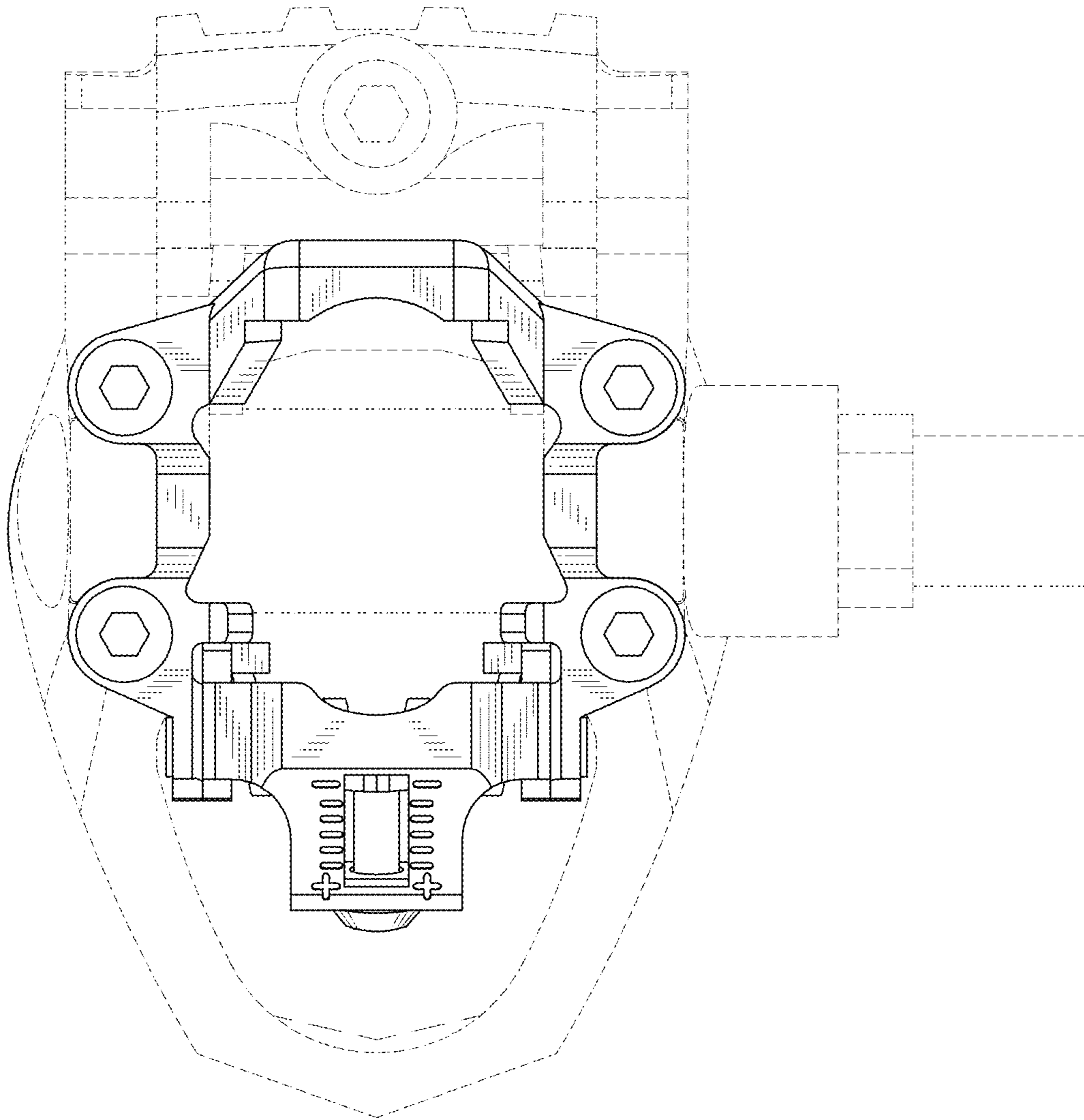


FIG. 6

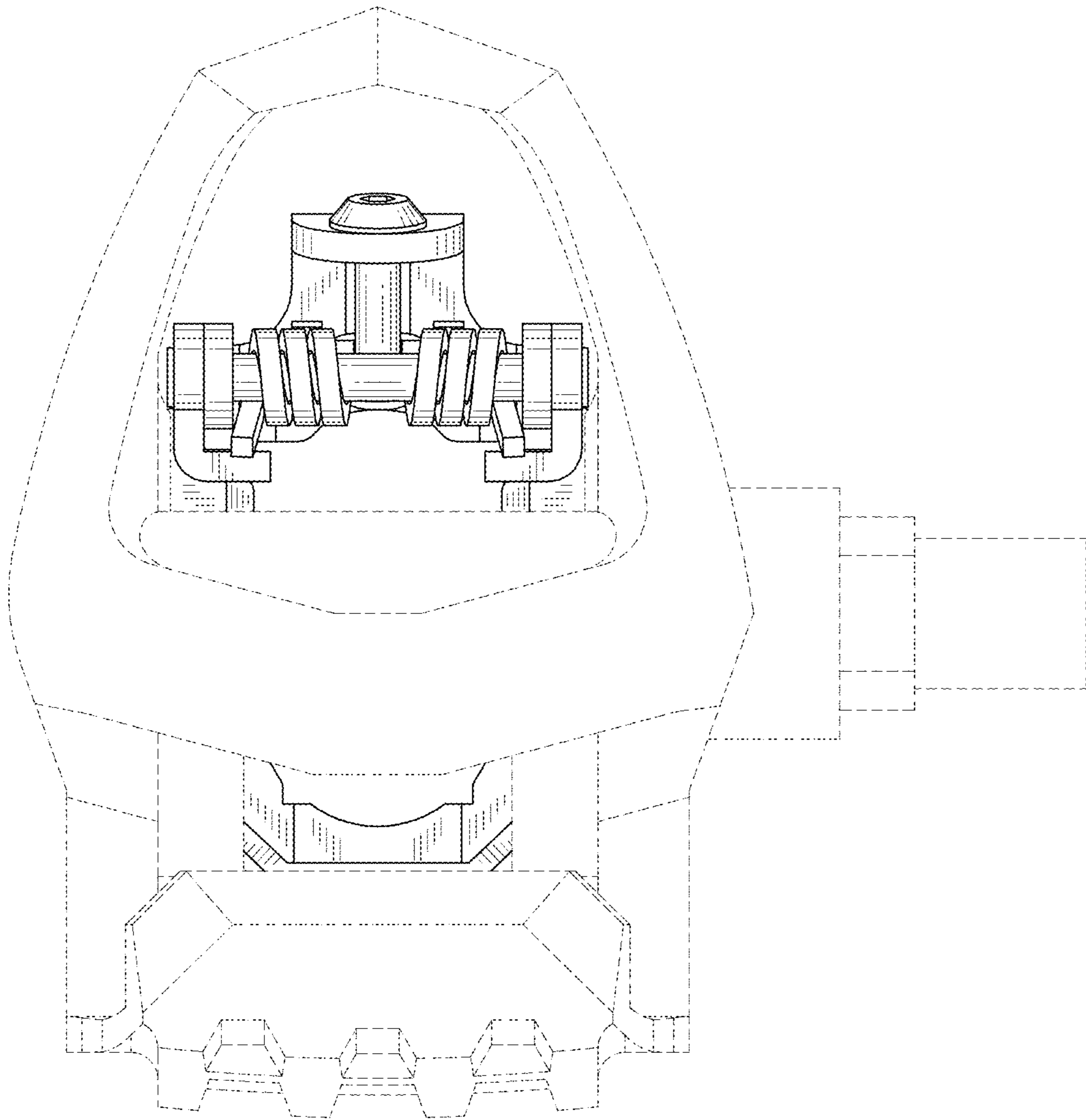


FIG.7

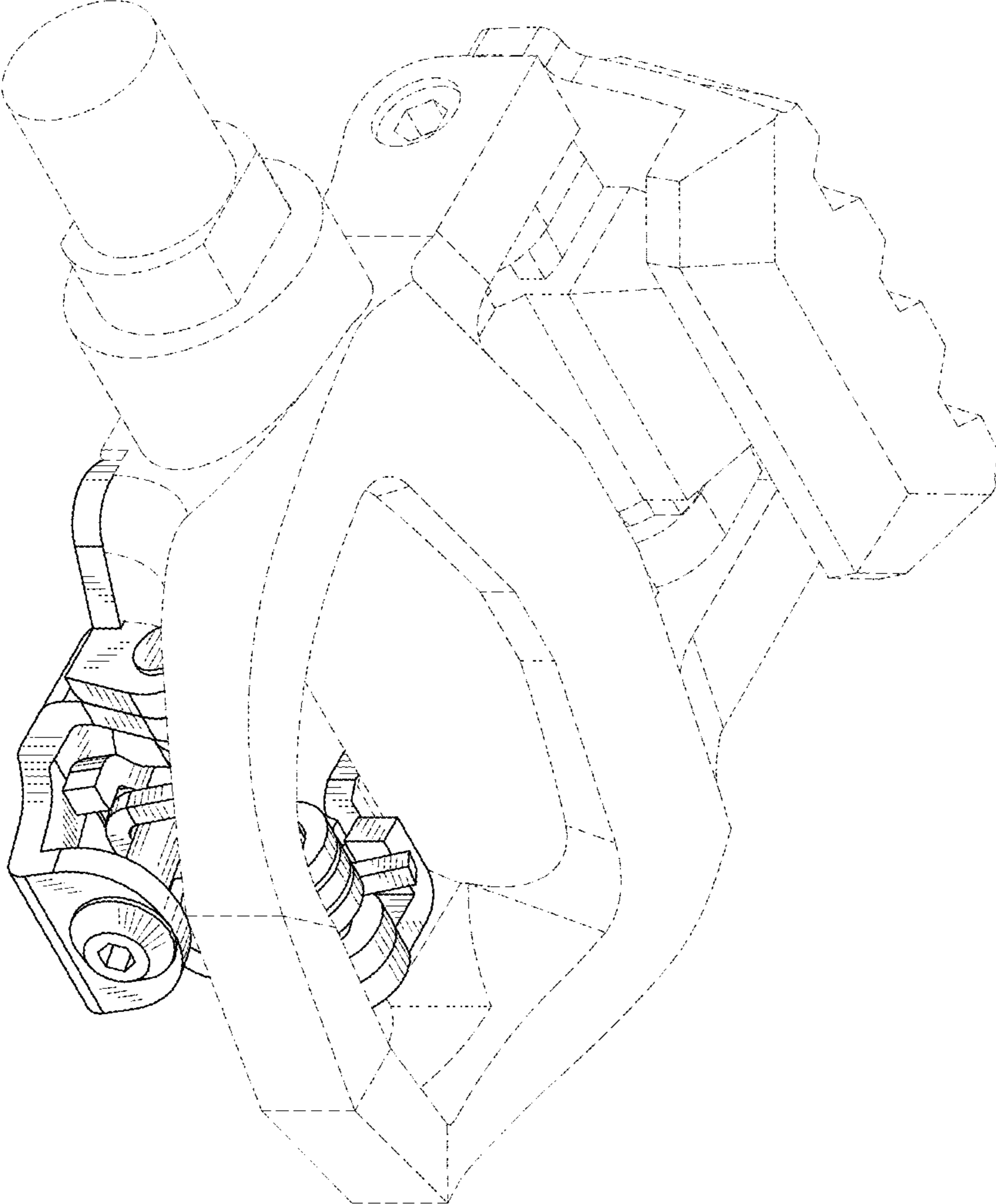


FIG.8