



US00D988938S

(12) **United States Design Patent**
Cardew

(10) **Patent No.:** **US D988,938 S**
(45) **Date of Patent:** **** Jun. 13, 2023**

(54) **BIKE RACK**

(71) Applicant: **Luke Cardew**, Shanghai (CN)

(72) Inventor: **Luke Cardew**, Shanghai (CN)

(**) Term: **15 Years**

(21) Appl. No.: **29/814,170**

(22) Filed: **Nov. 4, 2021**

(51) **LOC (14) Cl.** **08-10**

(52) **U.S. Cl.**
USPC **D12/115**

(58) **Field of Classification Search**
USPC D12/115, 120, 402, 406-408; D6/552
CPC ... B62H 3/00; B62H 3/04; B62H 3/08; B62H
3/10; B60R 9/06; B60R 9/10
See application file for complete search history.

(56) **References Cited**

U.S. PATENT DOCUMENTS

D268,488 S *	4/1983	Arnott	D12/115
D271,389 S *	11/1983	Turkington	D12/407
D302,803 S *	8/1989	Villanueva	D12/115
D310,809 S *	9/1990	Pawsat	D12/407
D311,510 S *	10/1990	Royce	D12/407
D323,307 S *	1/1992	Fernandez-Bell	D12/115
5,078,276 A *	1/1992	Rogge	B62H 3/12 248/289.11
D327,458 S *	6/1992	Martinell	D12/115
5,125,517 A *	6/1992	Martinell	B62H 3/12 211/90.03
D328,585 S *	8/1992	La Casse	D12/408
D336,876 S *	6/1993	Warnelov	D12/408
D344,868 S *	3/1994	Martinell	D6/552
D346,995 S *	5/1994	Thulin	D12/408
D350,935 S *	9/1994	Stach	D12/408

D397,189 S *	8/1998	Pierret	D12/408
D397,892 S *	9/1998	Shaha	D6/552
D430,532 S *	9/2000	Frazier	D12/407
D451,880 S *	12/2001	Adams	D12/406
D458,579 S *	6/2002	Adams	D12/406
D694,674 S *	12/2013	Higgins	D12/115
8,899,543 B2 *	12/2014	Liang	F16M 13/00 248/458
D776,578 S *	1/2017	Kuo	D12/115
D809,435 S *	2/2018	Gertner	D12/115
D836,495 S *	12/2018	Maffe'	D12/115
D849,603 S *	5/2019	Luyet	D12/115
D876,287 S *	2/2020	Luyet	D12/115
D897,179 S *	9/2020	Underwood	D8/71
D915,951 S *	4/2021	Venolia	D12/115
D918,783 S *	5/2021	Liu	D12/115
2009/0229713 A1 *	9/2009	Ernst	C21D 1/34 148/516

* cited by examiner

Primary Examiner — Michelle E. Wilson

Assistant Examiner — Clese Moore, Jr.

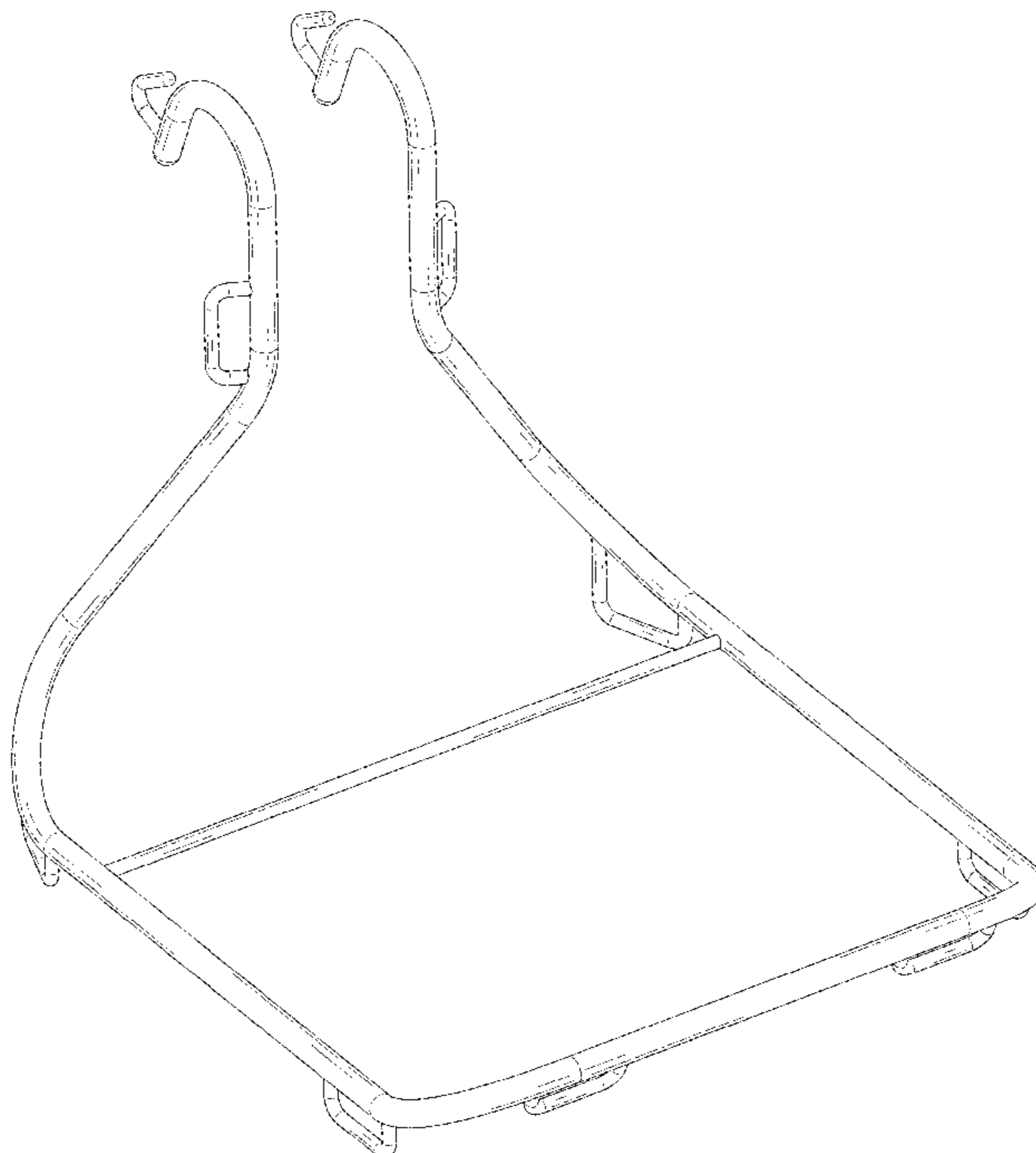
(57) **CLAIM**

The ornamental design for a bike rack, as shown and described.

DESCRIPTION

FIG. 1 is a perspective view of a bike rack showing my new design;
FIG. 2 is another perspective view thereof;
FIG. 3 is a front elevational view thereof;
FIG. 4 is a rear elevational view thereof;
FIG. 5 is a left side elevational view thereof;
FIG. 6 is a right side elevational view thereof;
FIG. 7 is a top plan view thereof; and,
FIG. 8 is a bottom plan view thereof.

1 Claim, 8 Drawing Sheets



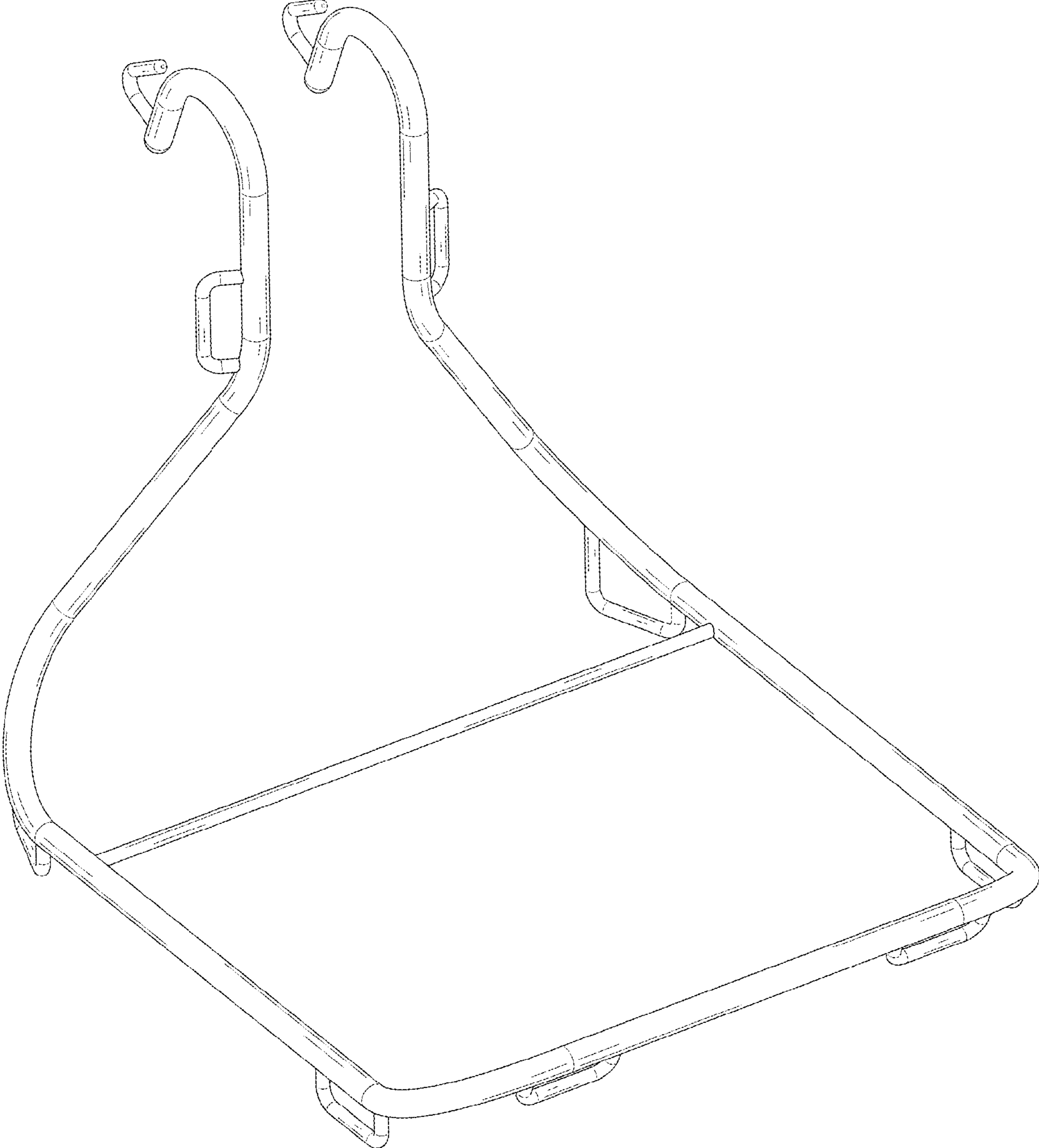


FIG. 1

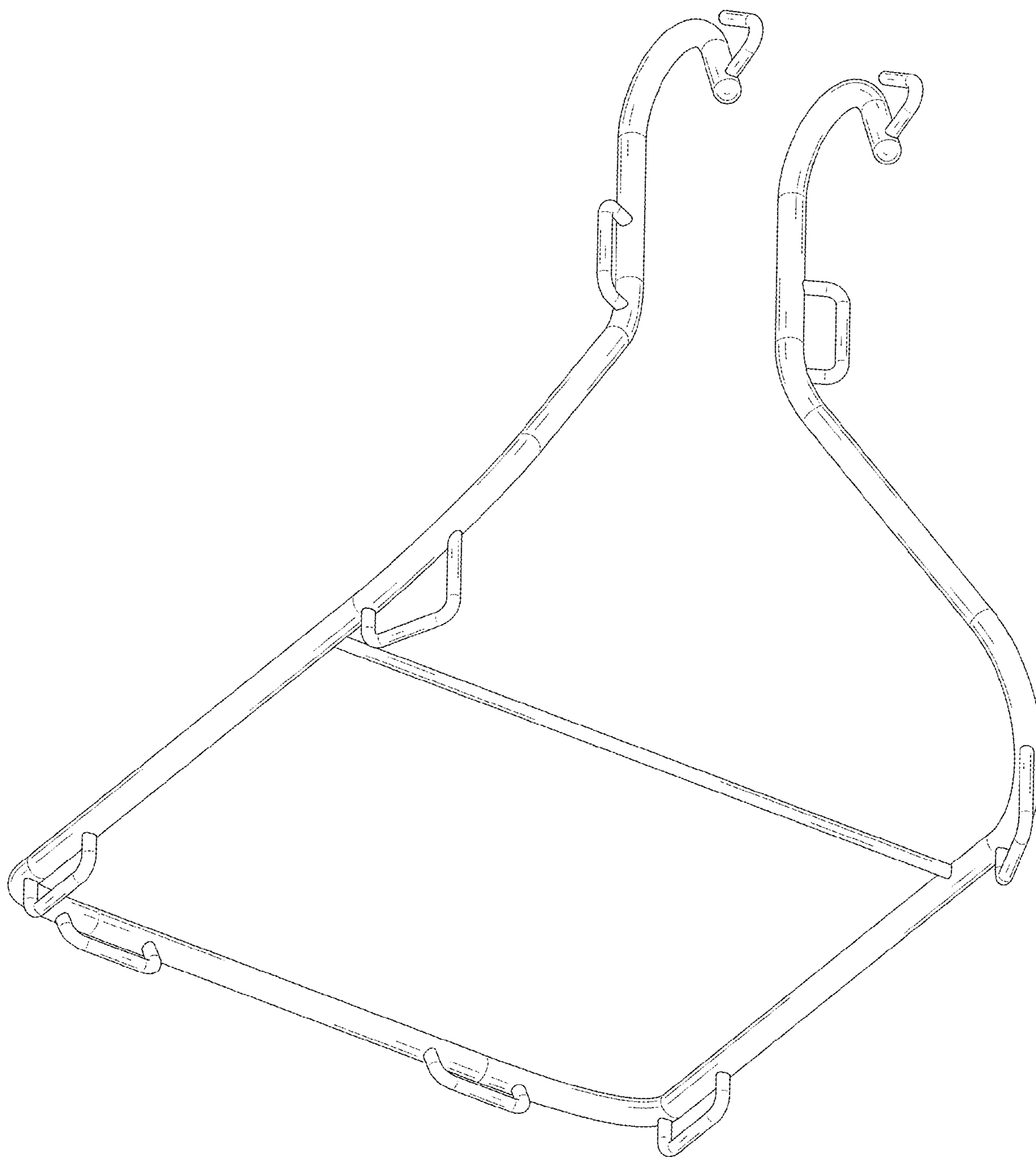


FIG. 2

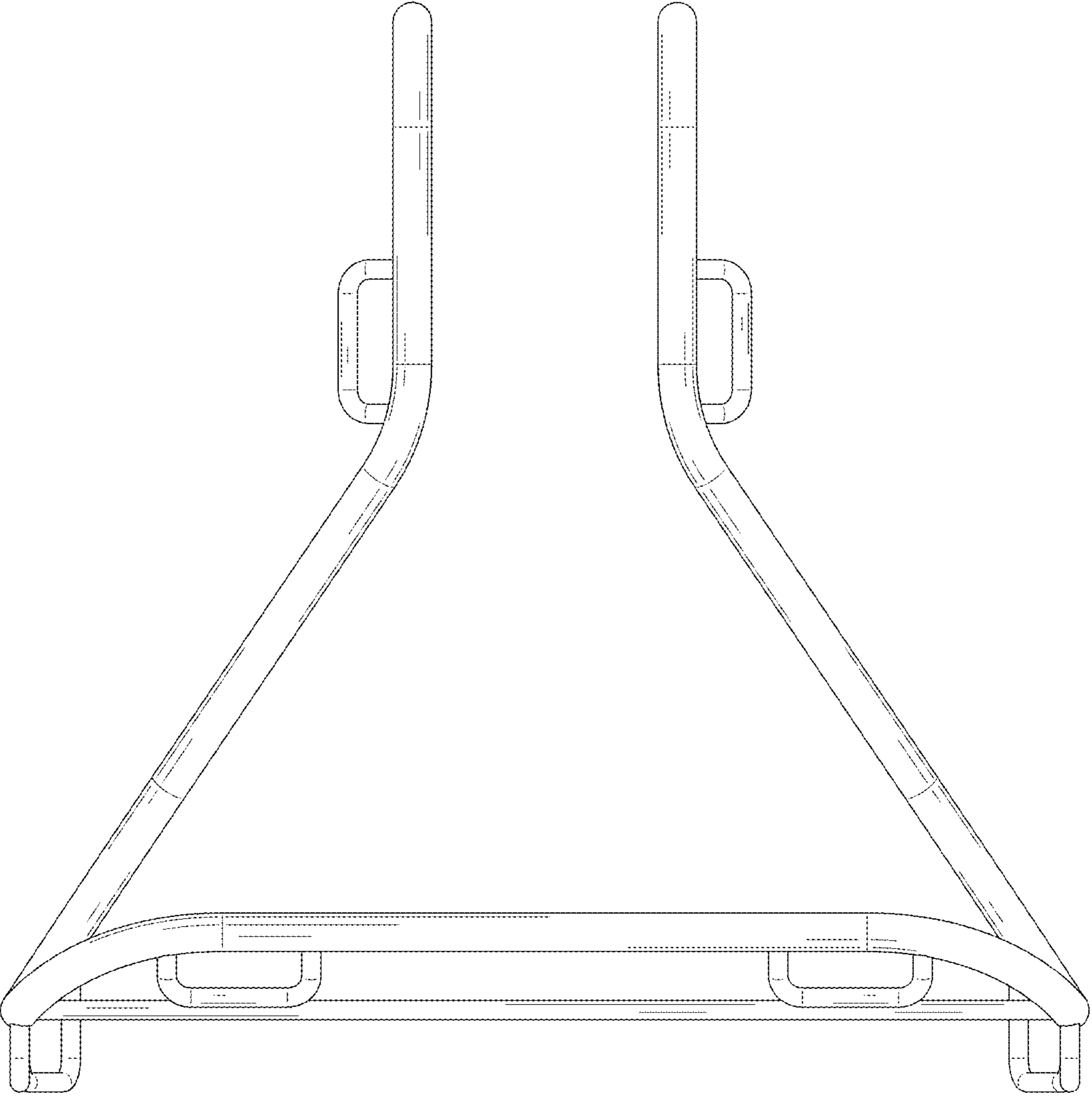


FIG. 3

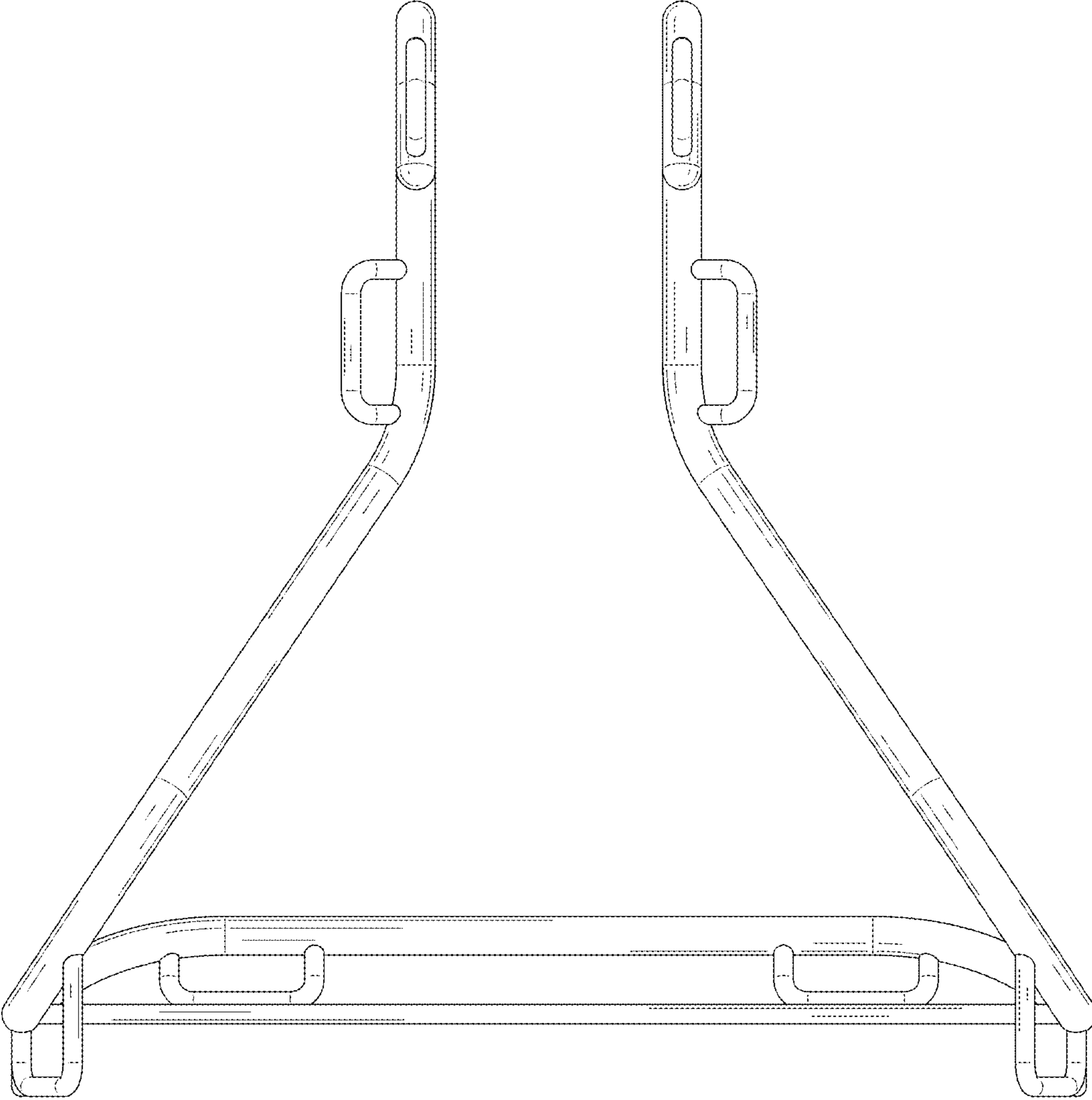


FIG. 4

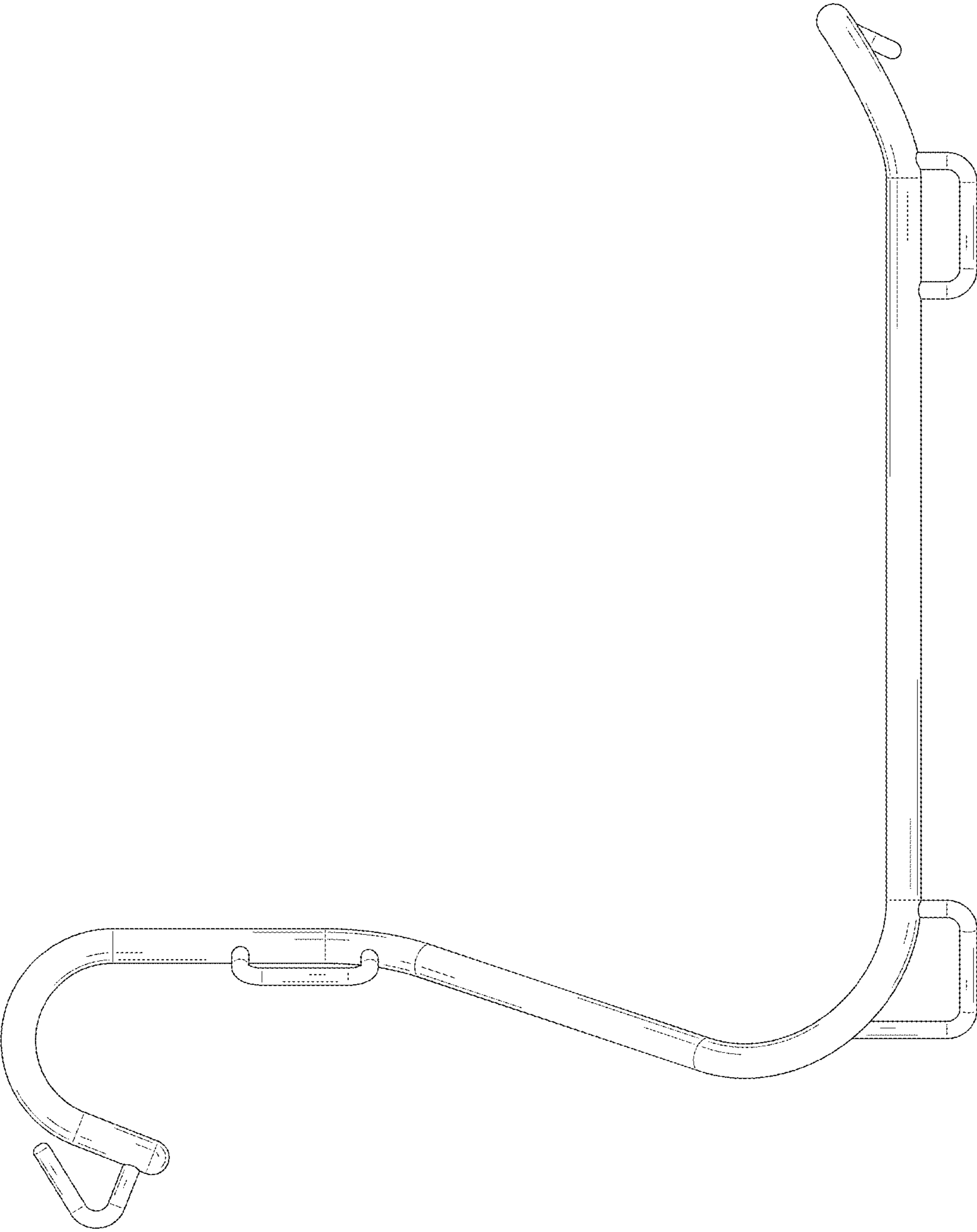


FIG. 5

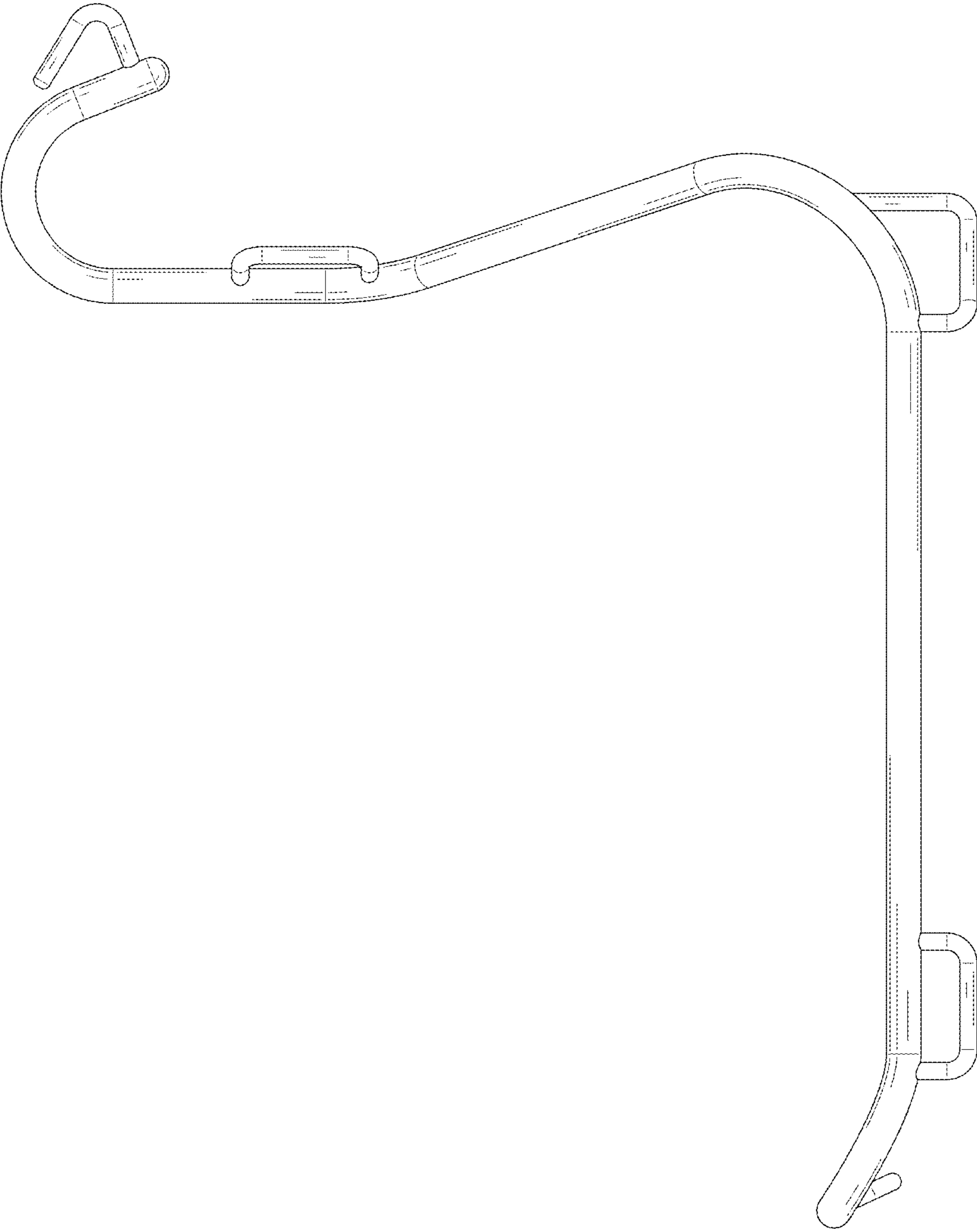


FIG. 6



FIG. 7

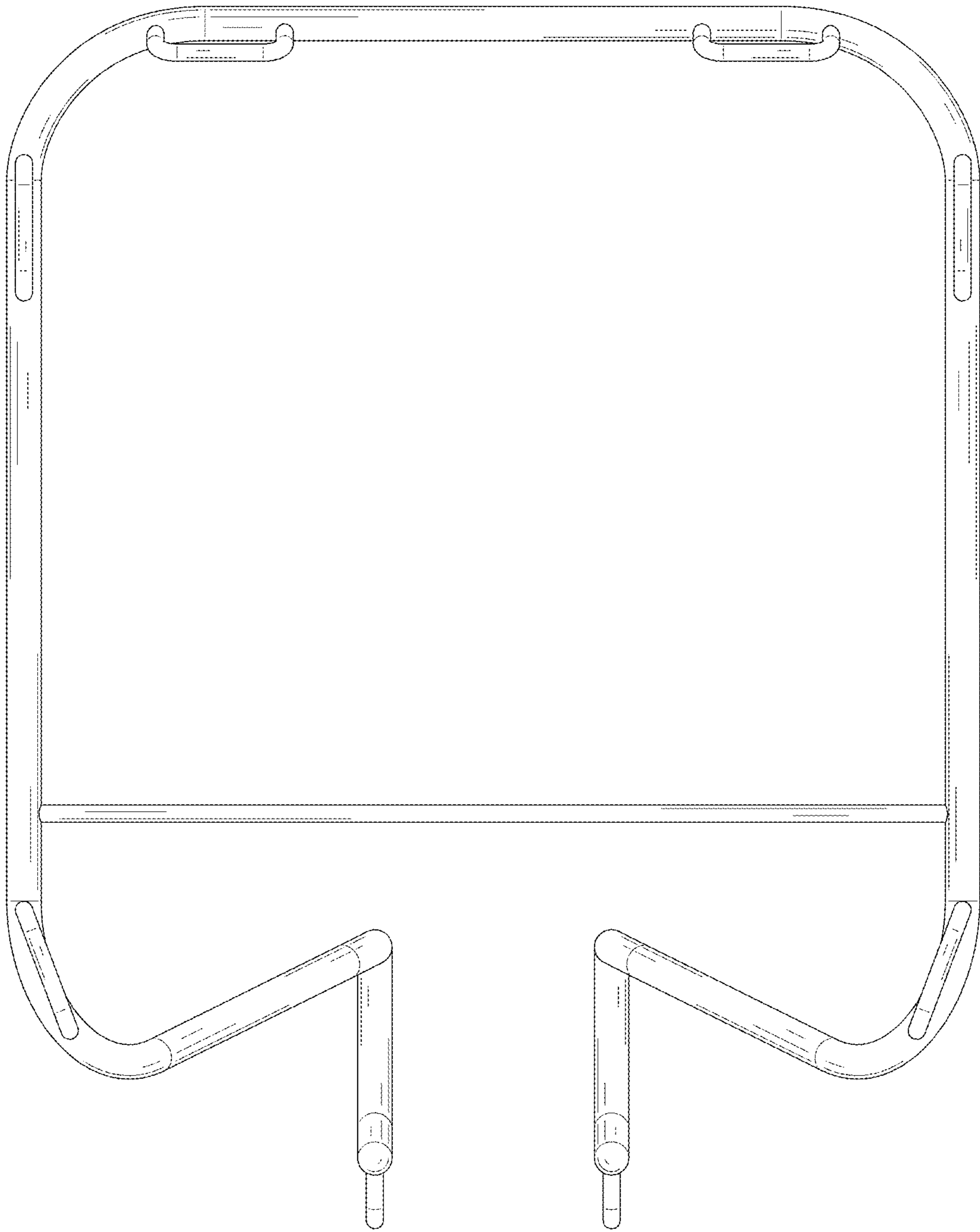


FIG. 8