



US00D988937S

(12) **United States Design Patent**
Knapp et al.

(10) **Patent No.:** **US D988,937 S**
(45) **Date of Patent:** **** Jun. 13, 2023**

- (54) **ELECTRIC BICYCLE**
- (71) Applicant: **Rad Power Bikes Inc.**, Seattle, WA (US)
- (72) Inventors: **Trevor Knapp**, Seattle, WA (US);
Taubon Djamtorki, Seattle, WA (US);
Tom Mount, Seattle, WA (US)
- (73) Assignee: **Rad Power Bikes Inc.**, Seattle, WA (US)
- (**) Term: **15 Years**
- (21) Appl. No.: **29/786,623**
- (22) Filed: **Jun. 1, 2021**
- (51) **LOC (14) Cl.** **12-11**
- (52) **U.S. Cl.**
USPC **D12/111**
- (58) **Field of Classification Search**
USPC D12/111, 117; D21/412, 414, 419,
D21/423-428, 431-435
CPC B62K 3/00; B62K 3/02; B62K 3/06
See application file for complete search history.

D915,244 S *	4/2021	Chen	D12/111
D937,134 S *	11/2021	Lu	12/111
D940,010 S *	1/2022	Hu	D12/111
D944,126 S *	2/2022	Lu	D12/111
D944,689 S *	3/2022	Hu	D12/111
D944,690 S *	3/2022	Hsu	12/111
D945,934 S *	3/2022	Ischepp	D12/111
D957,291 S *	7/2022	Deng	D12/111
D960,052 S *	8/2022	Chen	D12/111
D960,769 S *	8/2022	Chen	D12/111

OTHER PUBLICATIONS

Okai. "Okai | EB100 Electric Sharing Bike." YouTube., Feb. 16, 2021 [online], [retrieved on Oct. 19, 2022]. Retrieved from the Internet <URL: <https://www.youtube.com/watch?v=1wCLURDaJQY&t=78s>>.*

(Continued)

Primary Examiner — Darlington Ly
(74) *Attorney, Agent, or Firm* — AMPACC Law Group, PLLC

(57) **CLAIM**

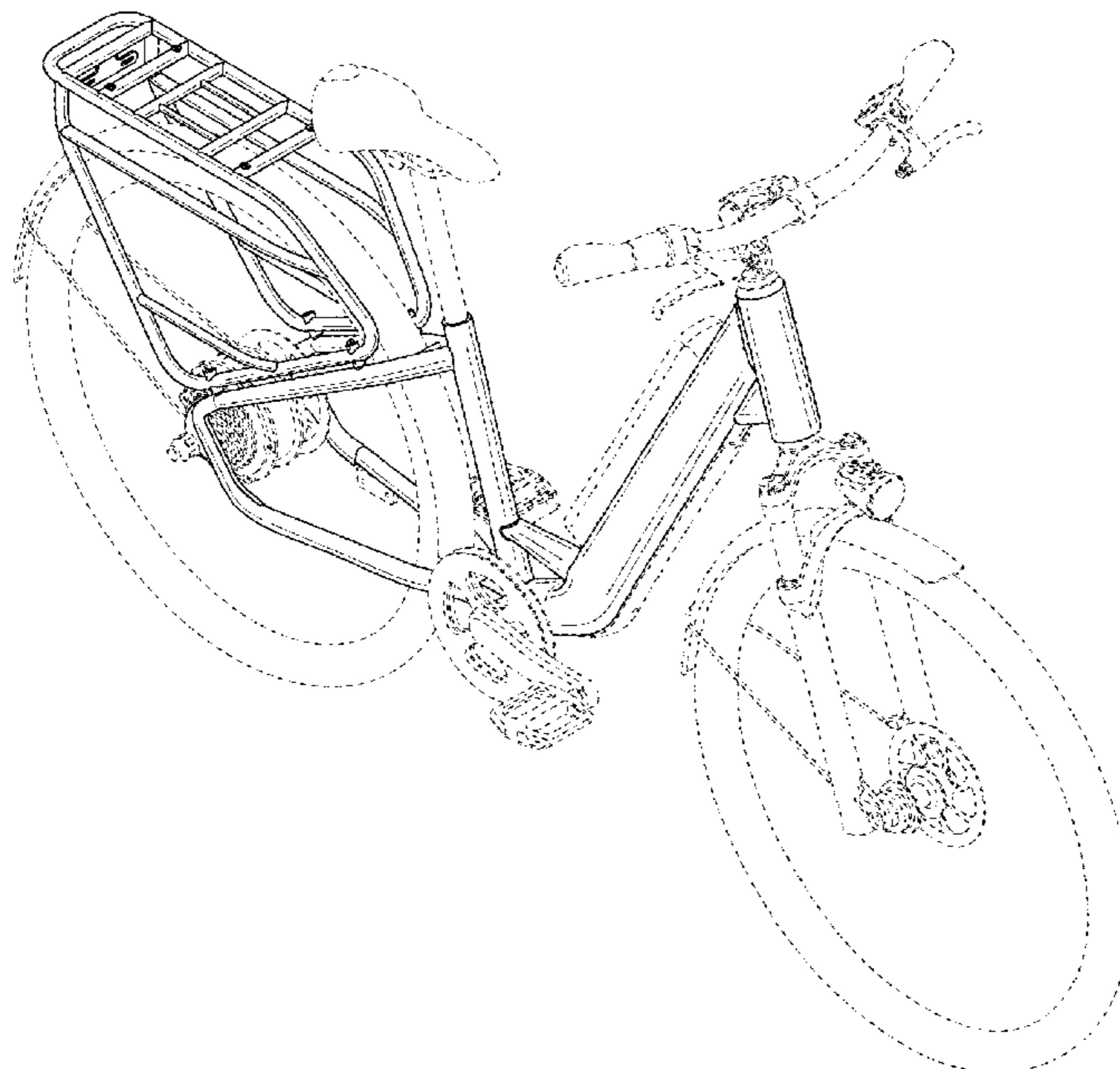
The ornamental design for an electric bicycle, as shown and described.

DESCRIPTION

FIG. 1 is a front and right side perspective view of an electric bike embodying our new design;
FIG. 2 is a front elevation view thereof;
FIG. 3 is a rear elevation view thereof;
FIG. 4 is a right side elevation view thereof;
FIG. 5 is a left side elevation view thereof;
FIG. 6 is a top plan view thereof; and,
FIG. 7 is a bottom plan view thereof.
The broken lines in the drawings illustrate portions of the electric bicycle that form no part of the claimed design.

1 Claim, 6 Drawing Sheets

- (56) **References Cited**
- U.S. PATENT DOCUMENTS**
- 4,267,898 A * 5/1981 Wheaton B62M 7/08
180/205.5
- 6,629,574 B2 * 10/2003 Turner B62M 11/145
180/220
- D614,084 S * 4/2010 Tanaka D12/111
- D620,400 S * 7/2010 Haller D12/111
- D620,401 S * 7/2010 Haller D12/111
- D621,302 S * 8/2010 Tanaka D12/111
- D727,214 S * 4/2015 Yang D12/111
- D789,836 S * 6/2017 Gouin D12/111
- D903,532 S * 12/2020 Ma D12/111



(56)

References Cited

OTHER PUBLICATIONS

Electrek.co. "2,200 Watt Super Monarch Crown AWD 1500 e-bike." YouTube., Oct. 18, 2021 [online], [retrieved on Oct. 19, 2022]. Retrieved from the Internet <URL: <https://www.youtube.com/watch?v=qTo2DMxFPml>>.*

MC Cycles. "Fat and Fast Himiway Cruiser E-Bike Review." YouTube., Mar. 19, 2021 [online], [retrieved on Oct. 19, 2022]. Retrieved from the Internet <URL: <https://www.youtube.com/watch?v=1Uabizl0jVw>>.*

Jacob Dark. "Himiway Big Dog Unboxing Assembly Hill Test Speed Test & Review." YouTube., Jun. 5, 2022 [online], [retrieved on Oct. 19, 2022]. Retrieved from the Internet <URL: <https://www.youtube.com/watch?v=4vzUsBW69eA>>.*

* cited by examiner

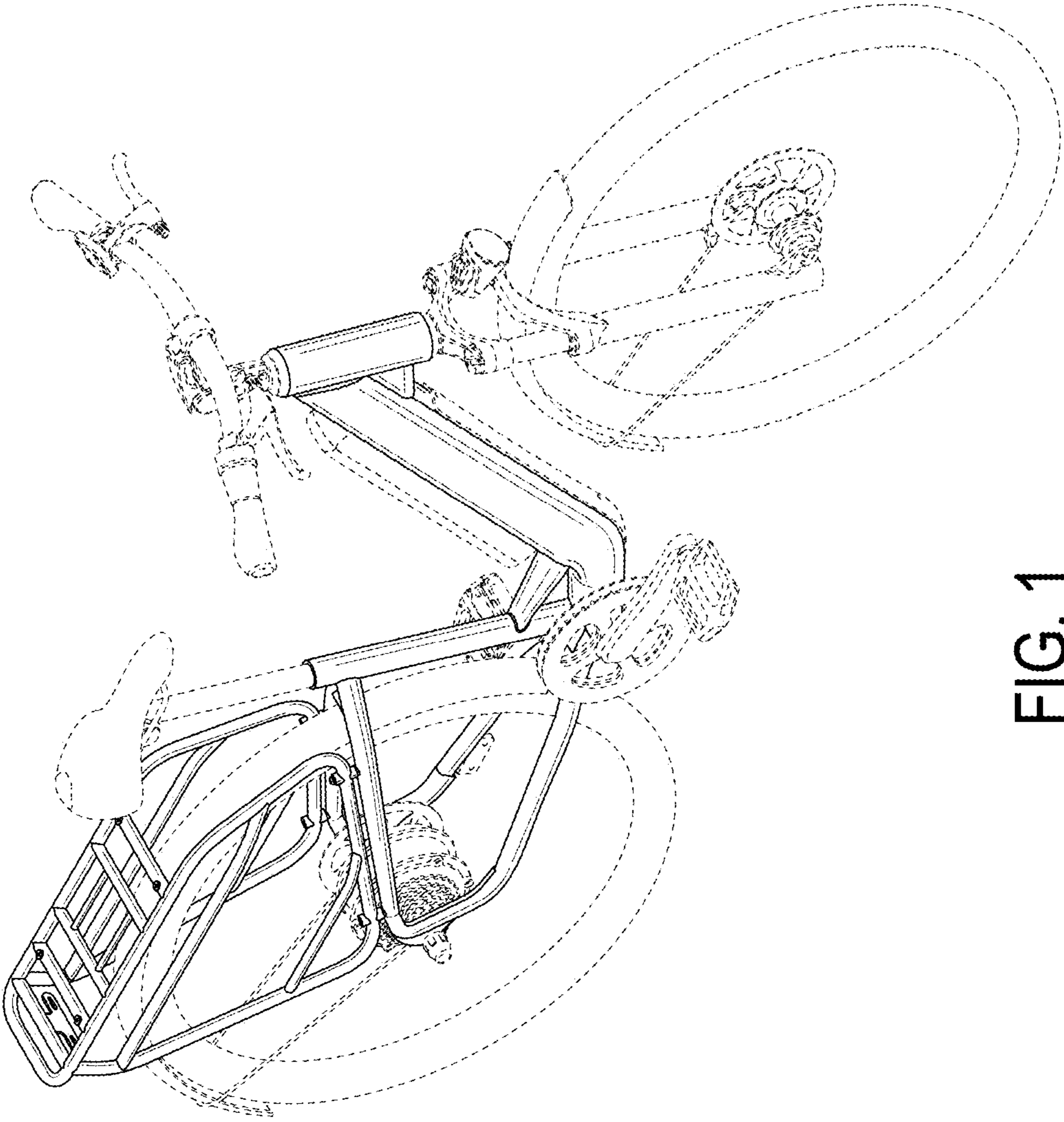


FIG. 1

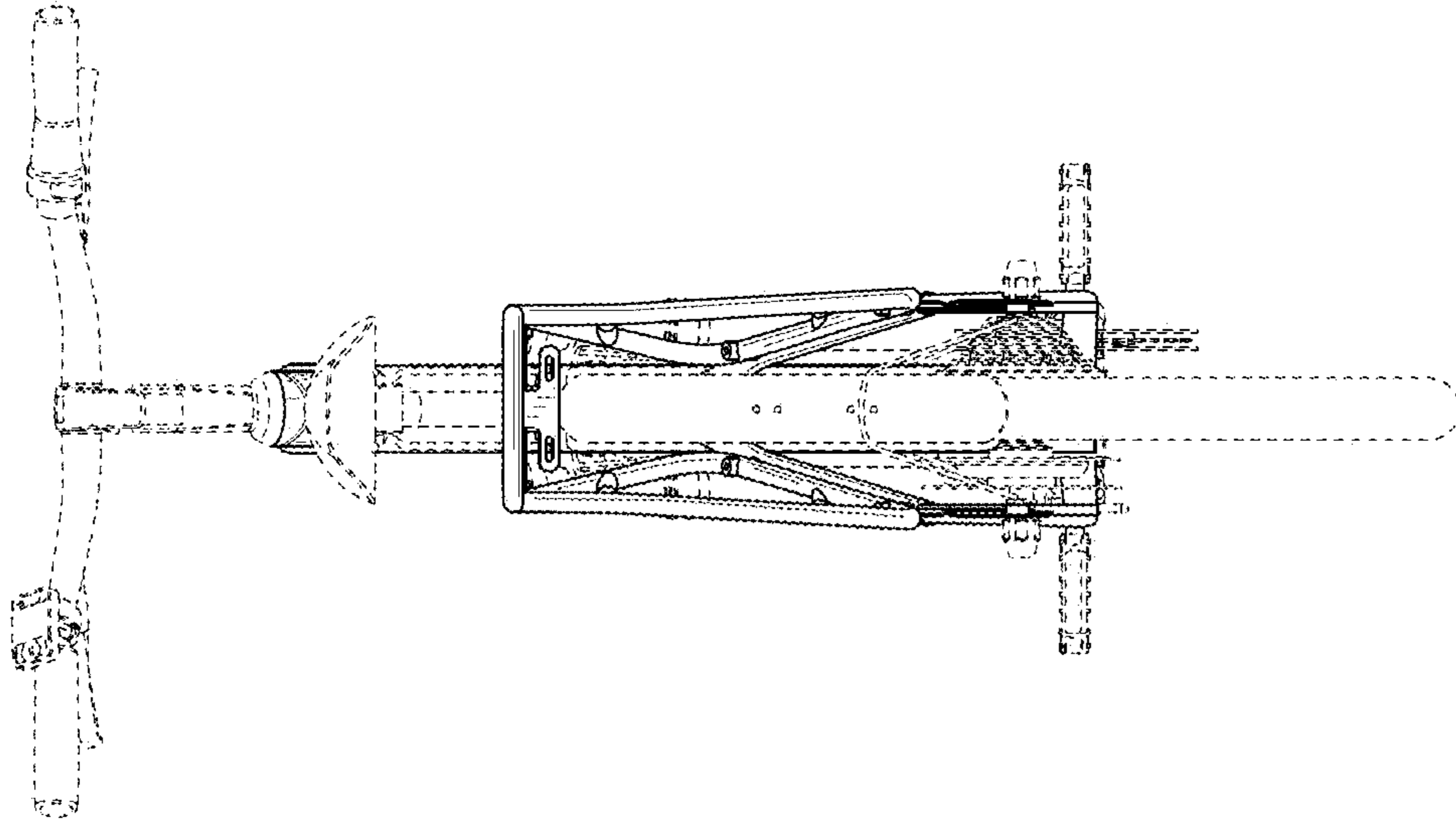


FIG. 2

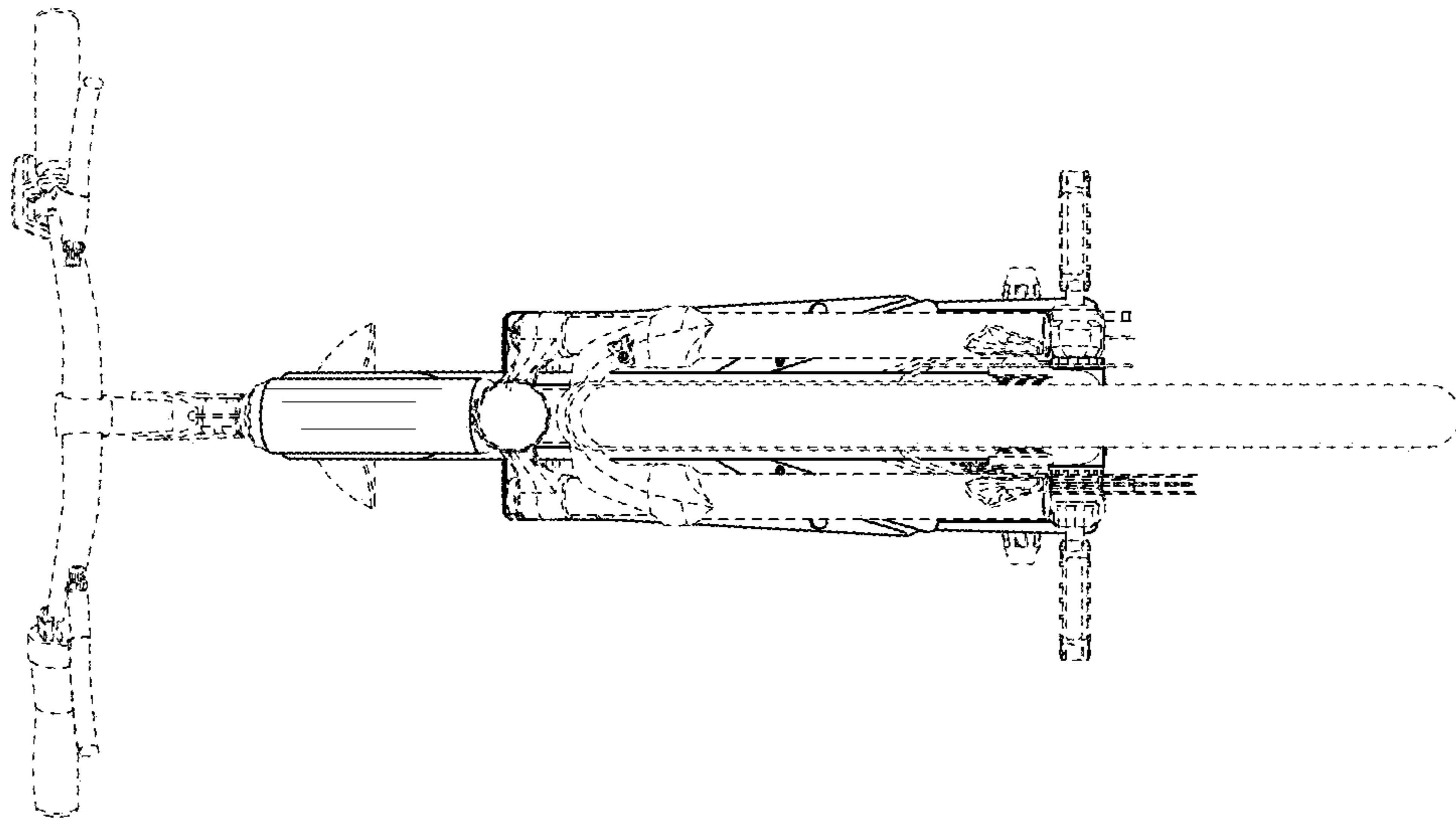


FIG. 3

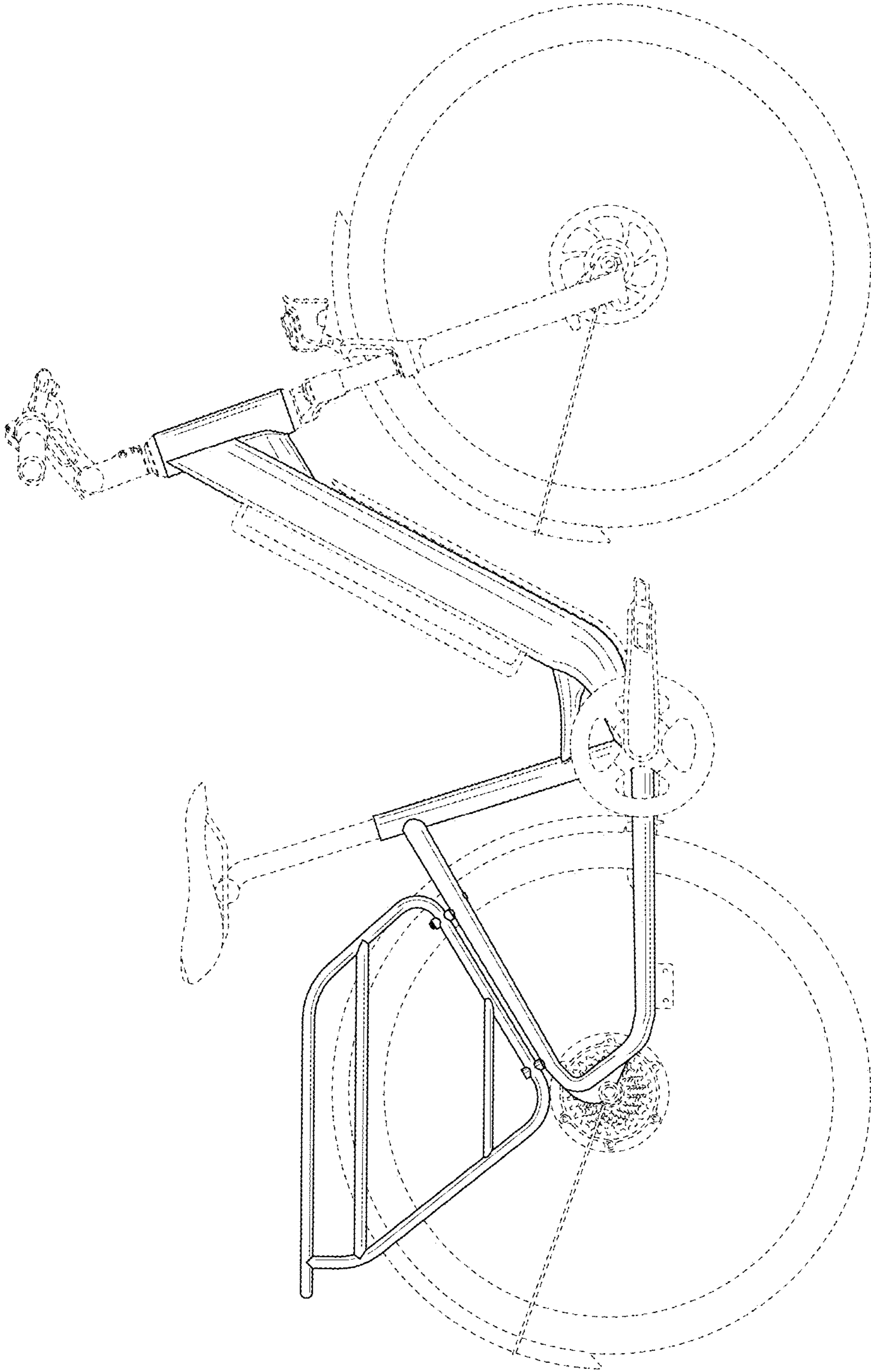


FIG. 4

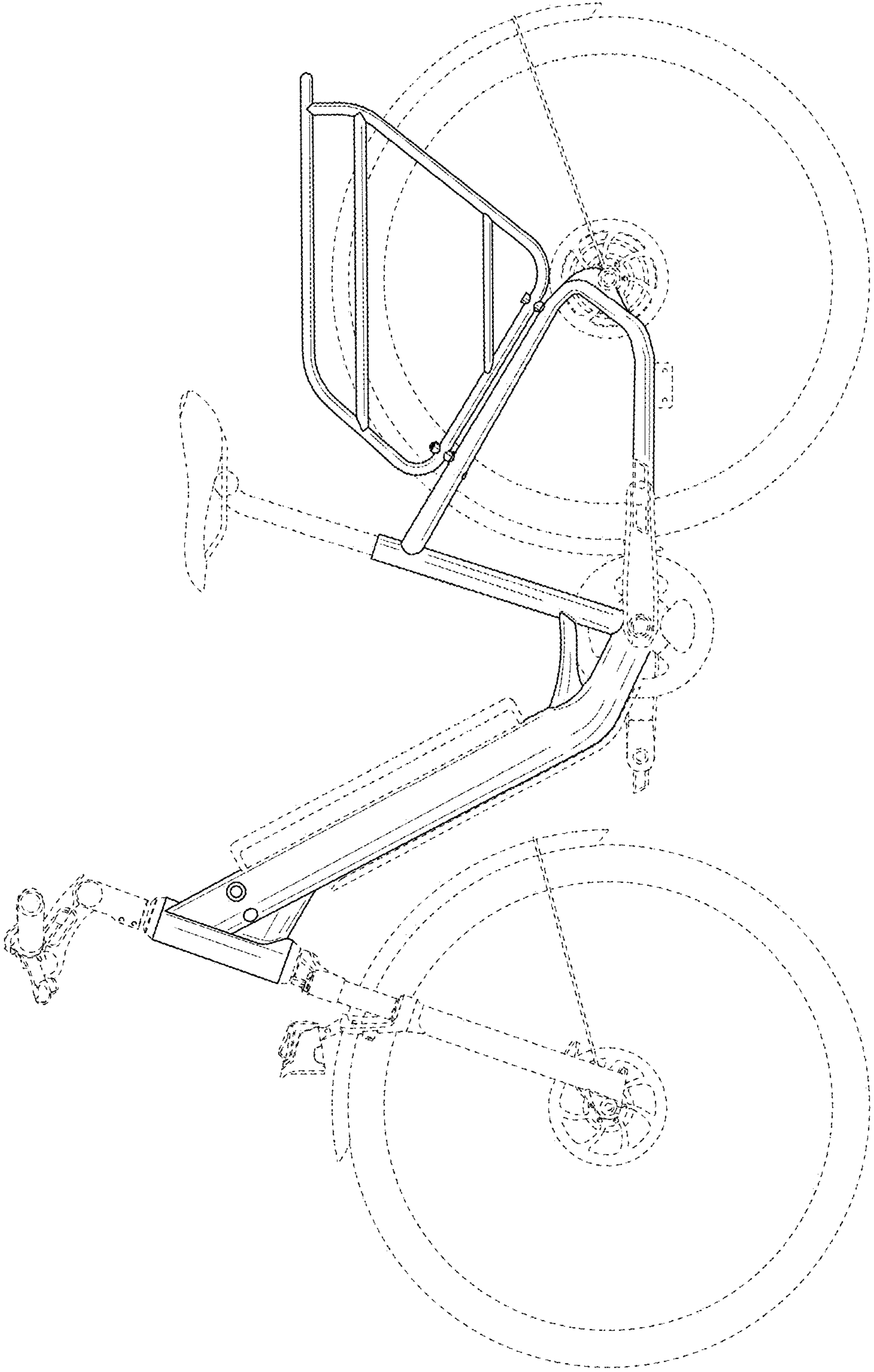


FIG. 5

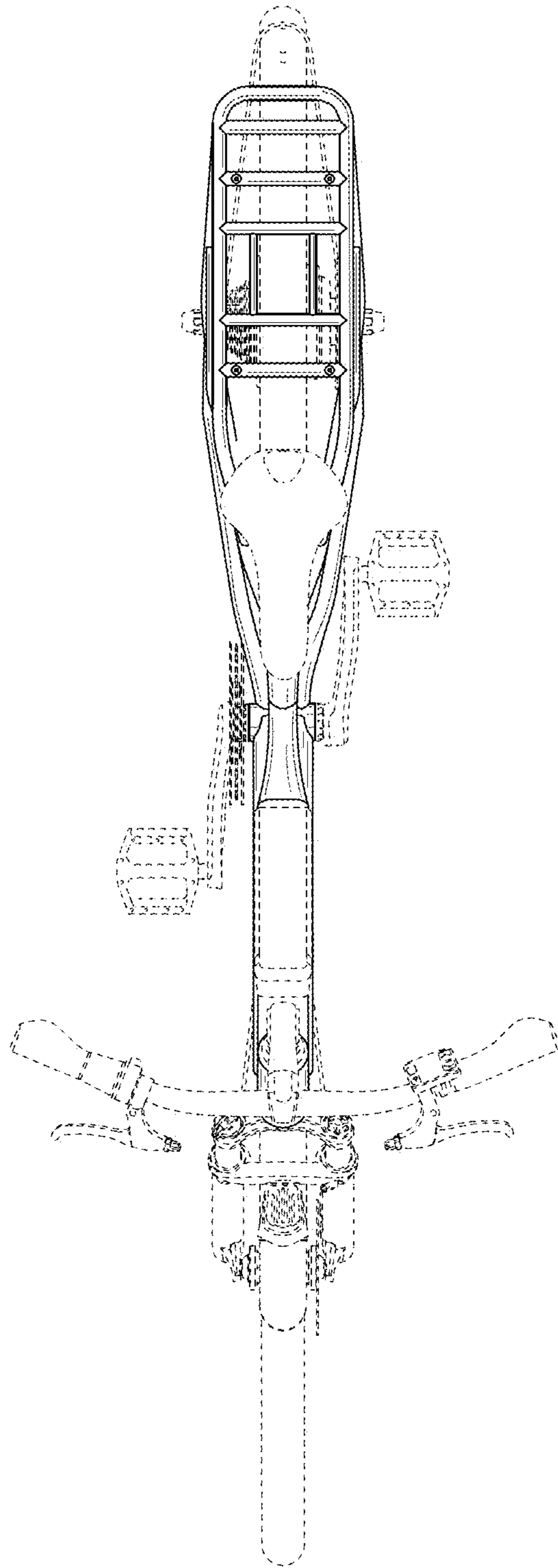


FIG. 6

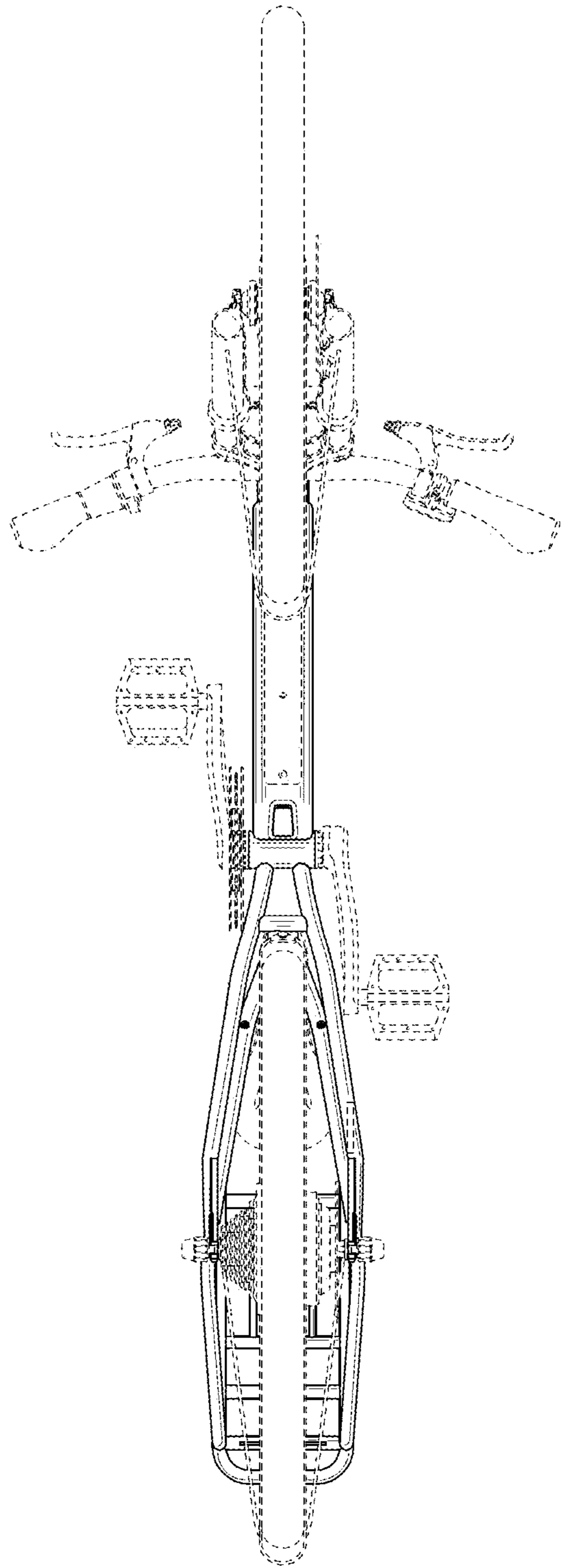


FIG. 7