



US00D988934S

(12) **United States Design Patent**
Kinoshita et al.

(10) **Patent No.:** **US D988,934 S**
(45) **Date of Patent:** **** Jun. 13, 2023**

(54) **MOTORCYCLE**
(71) Applicant: **YAMAHA HATSUDOKI**
KABUSHIKI KAISHA, Shizuoka-ken
(JP)
(72) Inventors: **Shogo Kinoshita**, Tokyo (JP);
Tomonori Miura, Shizuoka-ken (JP)
(73) Assignee: **YAMAHA HATSUDOKI**
KABUSHIKI KAISHA

D723,979 S * 3/2015 Yu D12/110
D753,552 S * 4/2016 McGinley D12/110
D774,964 S * 12/2016 Akashi D12/110
D776,013 S * 1/2017 Kiska D12/110
D776,575 S * 1/2017 Kiska D12/110
9,694,870 B2 * 7/2017 Kawai B62K 19/20
D793,285 S * 8/2017 Toyama D12/110
D796,384 S * 9/2017 Galluzzi D12/110
D796,385 S * 9/2017 Galluzzi D12/110
9,855,937 B2 * 1/2018 Ishii B60T 8/344
2014/0291051 A1 * 10/2014 Yoshida B62J 45/41
180/229

(**) Term: **15 Years**
(21) Appl. No.: **29/821,476**
(22) Filed: **Dec. 30, 2021**

FOREIGN PATENT DOCUMENTS

JP 1543885 S 2/2016

(30) **Foreign Application Priority Data**
Jun. 30, 2021 (JP) 2021-014181
(51) **LOC (14) Cl.** **12-11**
(52) **U.S. Cl.**
USPC **D12/110**
(58) **Field of Classification Search**
USPC D12/110, 111, 117; D21/432, 538
CPC B62K 11/00; B62K 11/02; B62K 11/04;
B62K 11/10; B62K 17/00; B62K 19/00;
B62K 2202/00
See application file for complete search history.

OTHER PUBLICATIONS

Miller Marylou. "First look at the 2020 Harley-Davidson Streetfighter." Clement Cycling., Jan. 27, 2019 [online], [retrieved on Jan. 22, 2023]. Retrieved from the Internet <URL: <https://clementcycling.com/2020-harley-davidson-streetfighter/>>.*

(Continued)

Primary Examiner — Darlington Ly
(74) *Attorney, Agent, or Firm* — Ostrolenk Faber LLP

(57) **CLAIM**

The ornamental design for a motorcycle, as shown.

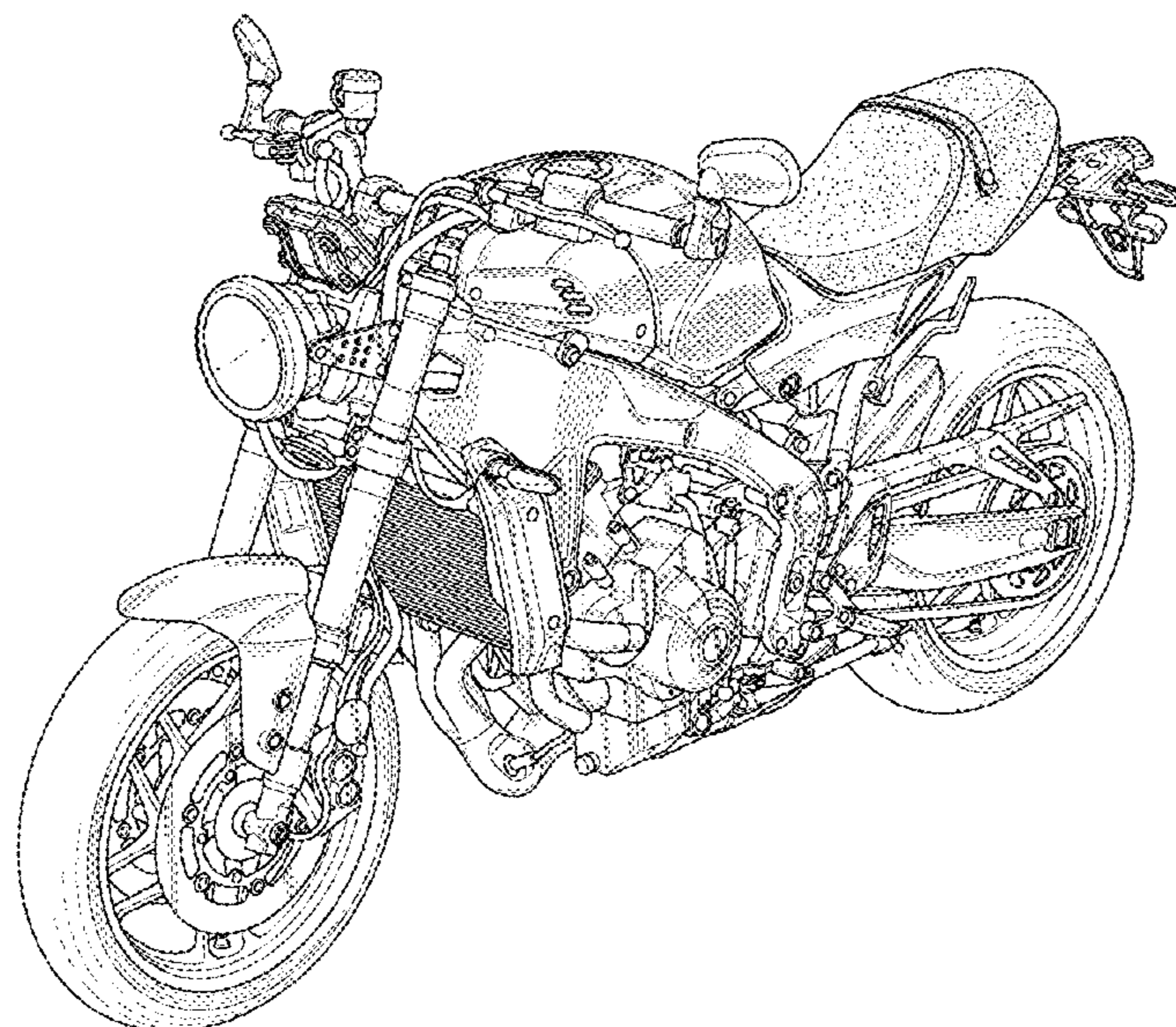
DESCRIPTION

FIG. 1 is a left side, front, perspective view of a motorcycle showing our new design;
FIG. 2 is a right side, rear, perspective view thereof;
FIG. 3 is a front elevation view thereof;
FIG. 4 is a rear elevation view thereof;
FIG. 5 is a right side elevation view thereof;
FIG. 6 is a left side elevation view thereof; and,
FIG. 7 is a top plan view thereof.

1 Claim, 7 Drawing Sheets

(56) **References Cited**
U.S. PATENT DOCUMENTS

D383,096 S * 9/1997 Abe D12/110
D444,103 S * 6/2001 Robb D12/110
D504,640 S * 5/2005 Conte D12/110
D516,468 S * 3/2006 Kuboshima D12/110
D517,957 S * 3/2006 Savage D12/110
D543,905 S * 6/2007 Domergue D12/110
D544,816 S * 6/2007 Davidson D12/110
D582,318 S * 12/2008 Kishi D12/110



(56)

References Cited

OTHER PUBLICATIONS

“2023 Yamaha XSR900.” Yamaha., Aug. 12, 2022 [online], [retrieved on Jan. 22, 2023]. Retrieved from the Internet <URL: https://www.yamahamotorsports.com/content/common/dpg/files/2023_yamaha_XSR900.pdf>.*

“2022 Yamaha XSR900.” Yamaha., Oct. 10, 2021 [online], [retrieved on Jan. 22, 2023]. Retrieved from the Internet <URL: https://www.yamahamotorsports.com/content/common/dpg/files/2022_yamaha_XSR900.pdf>.*

“2022 Yamaha XSR900 | First Look Review.” Rider Magazine., Nov. 23, 2021 [online], [retrieved on Jan. 22, 2023]. Retrieved from the Internet <URL: <https://ridermagazine.com/2021/11/23/2022-yamaha-xsr900-first-look-review/>>.*

Chris Hunter. “World First: Harley Street By Rajputana Customs.” Rider Magazine., Jan. 26, 2015 [online], [retrieved on Jan. 22, 2023]. Retrieved from the Internet <URL: <https://www.bikeexif.com/harley-davidson-street-750>>.*

* cited by examiner

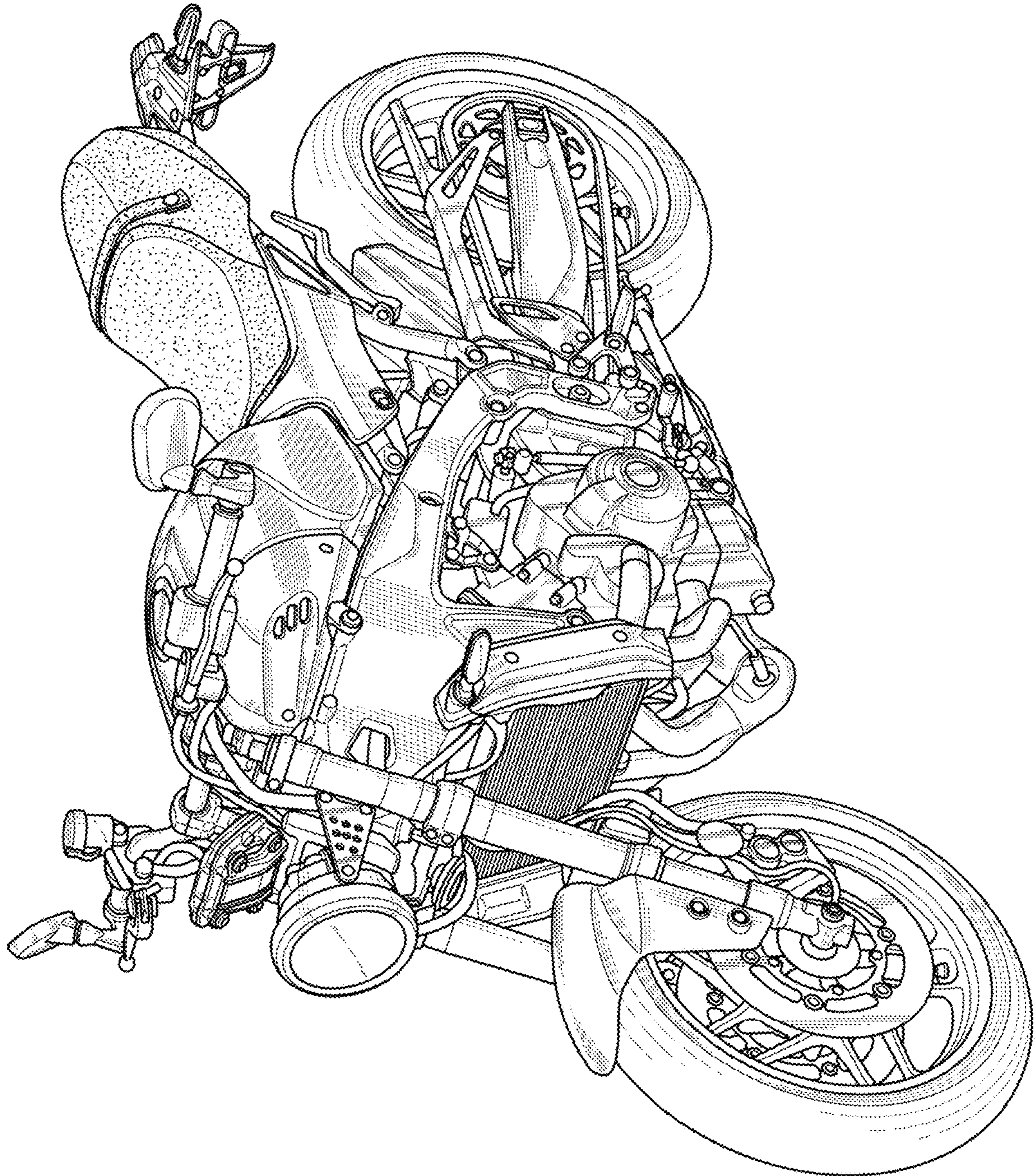


FIG. 1

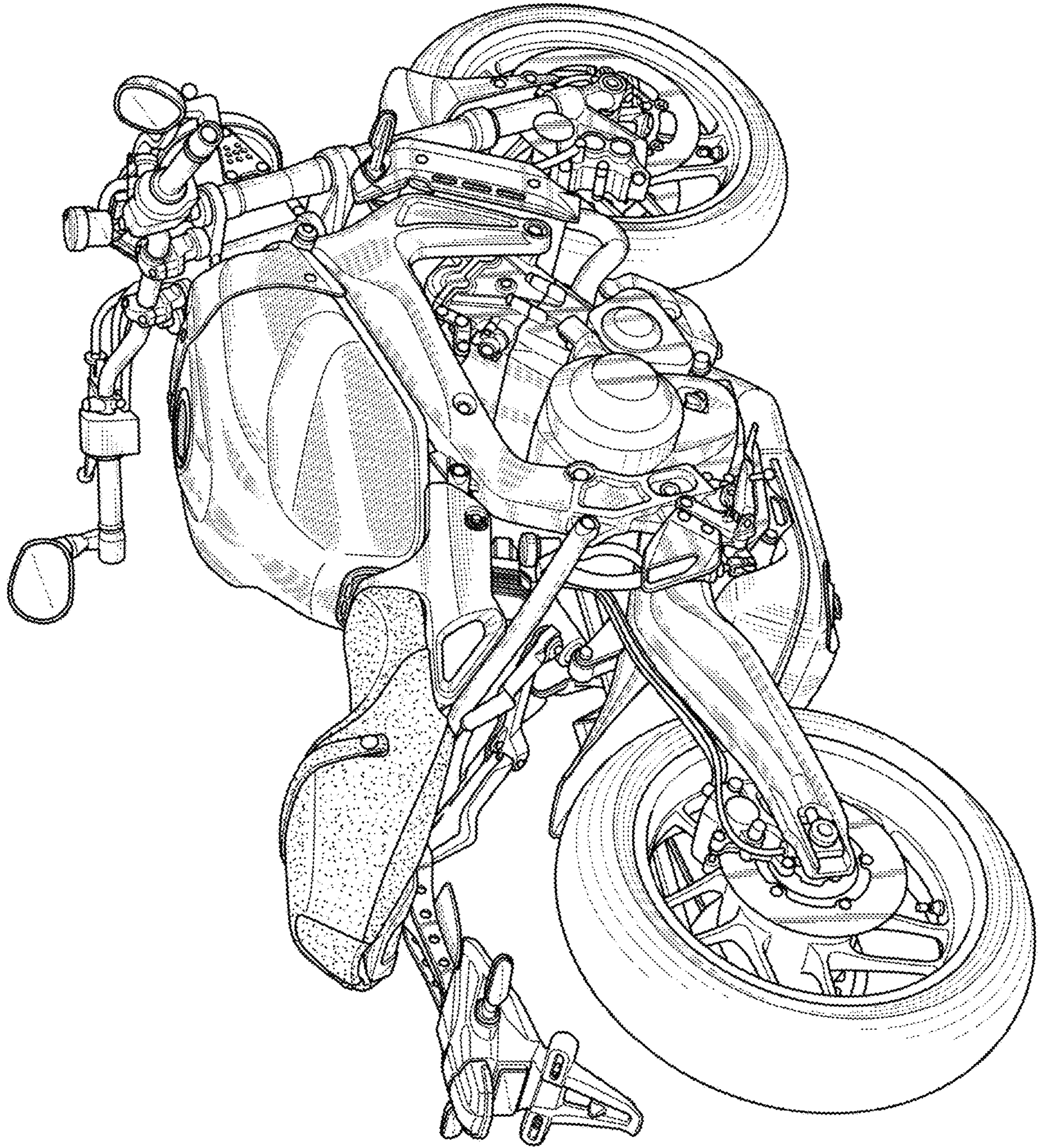


FIG. 2

FIG. 3

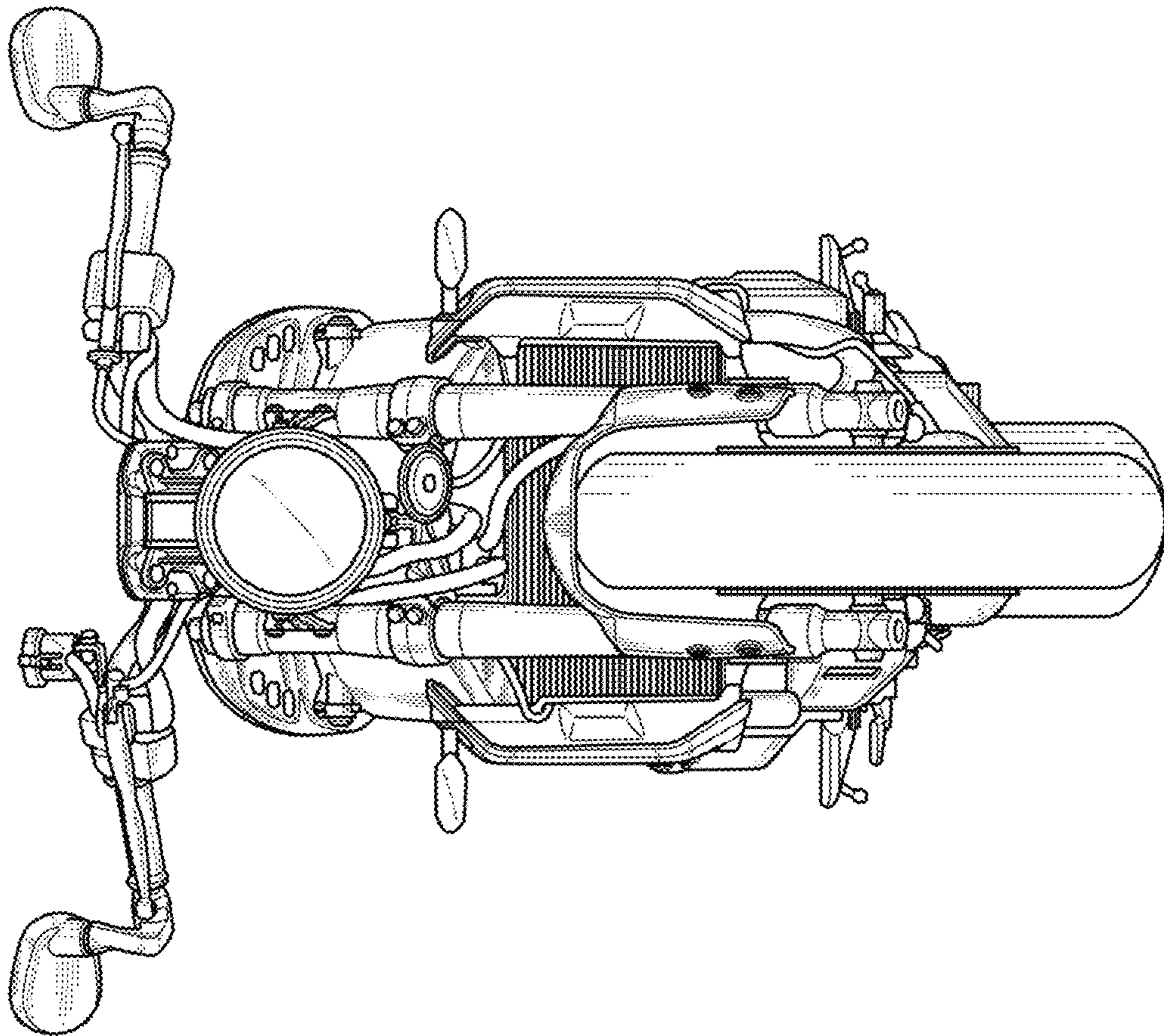
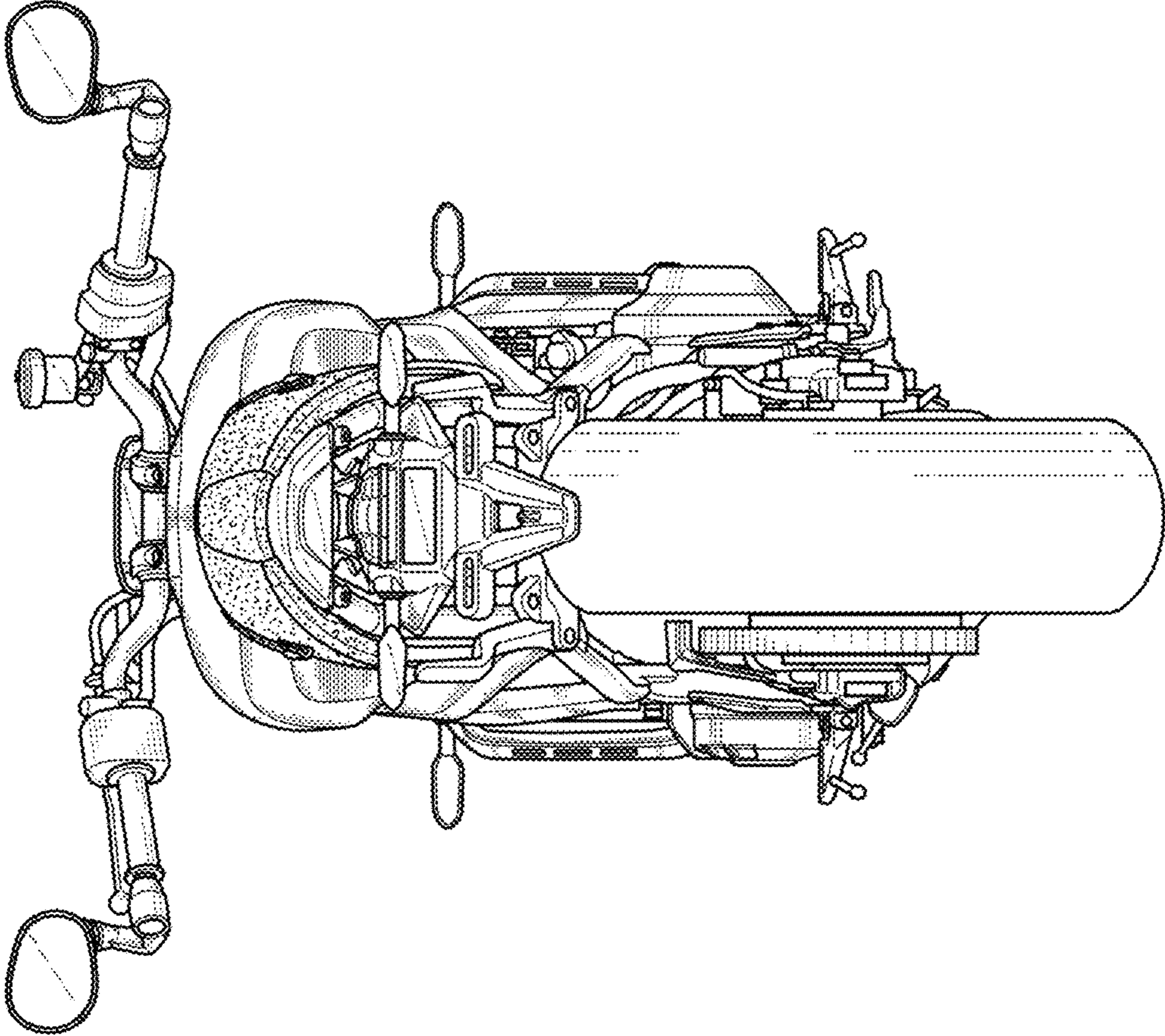


FIG. 4



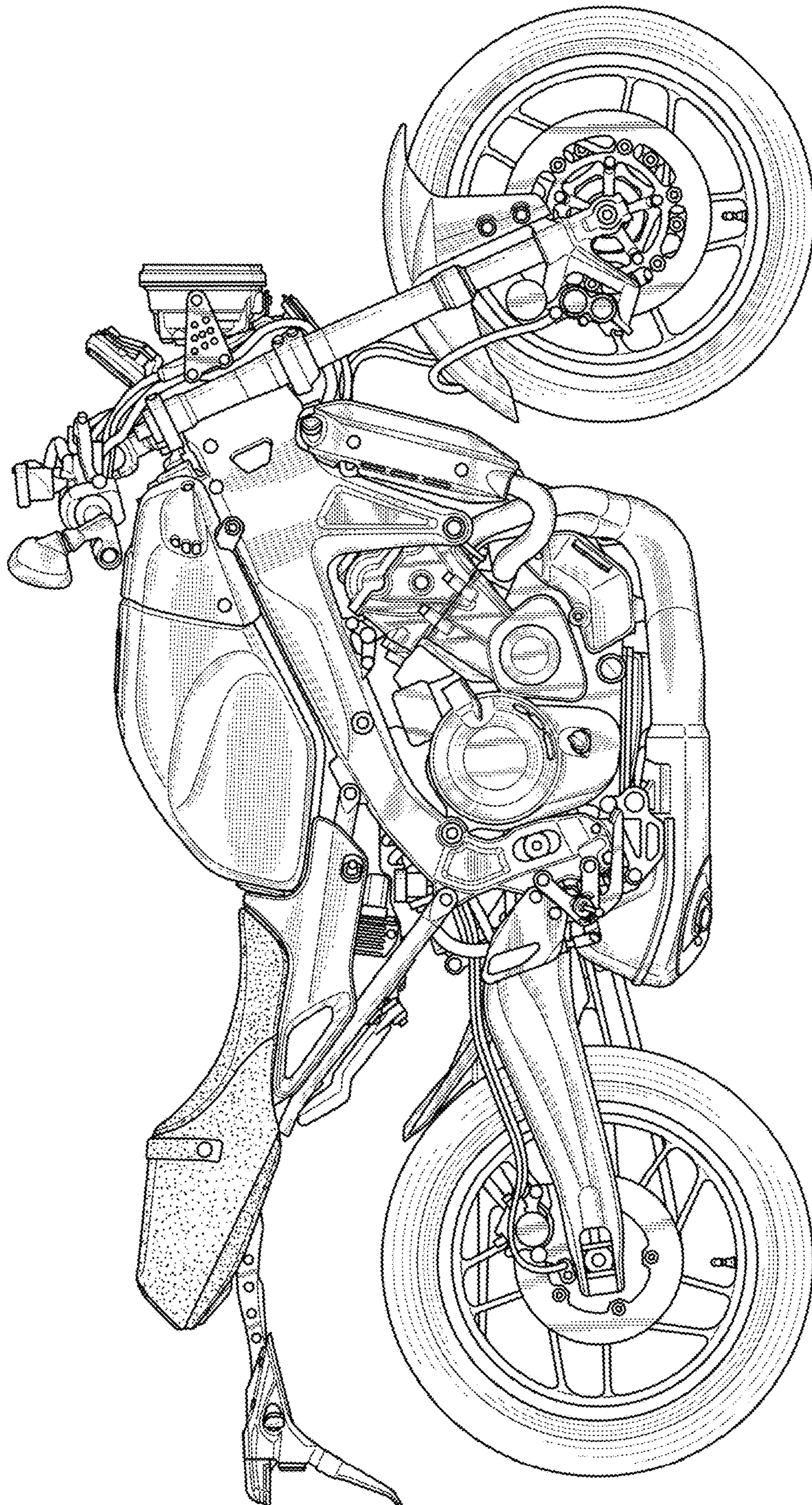


FIG. 5

FIG. 6

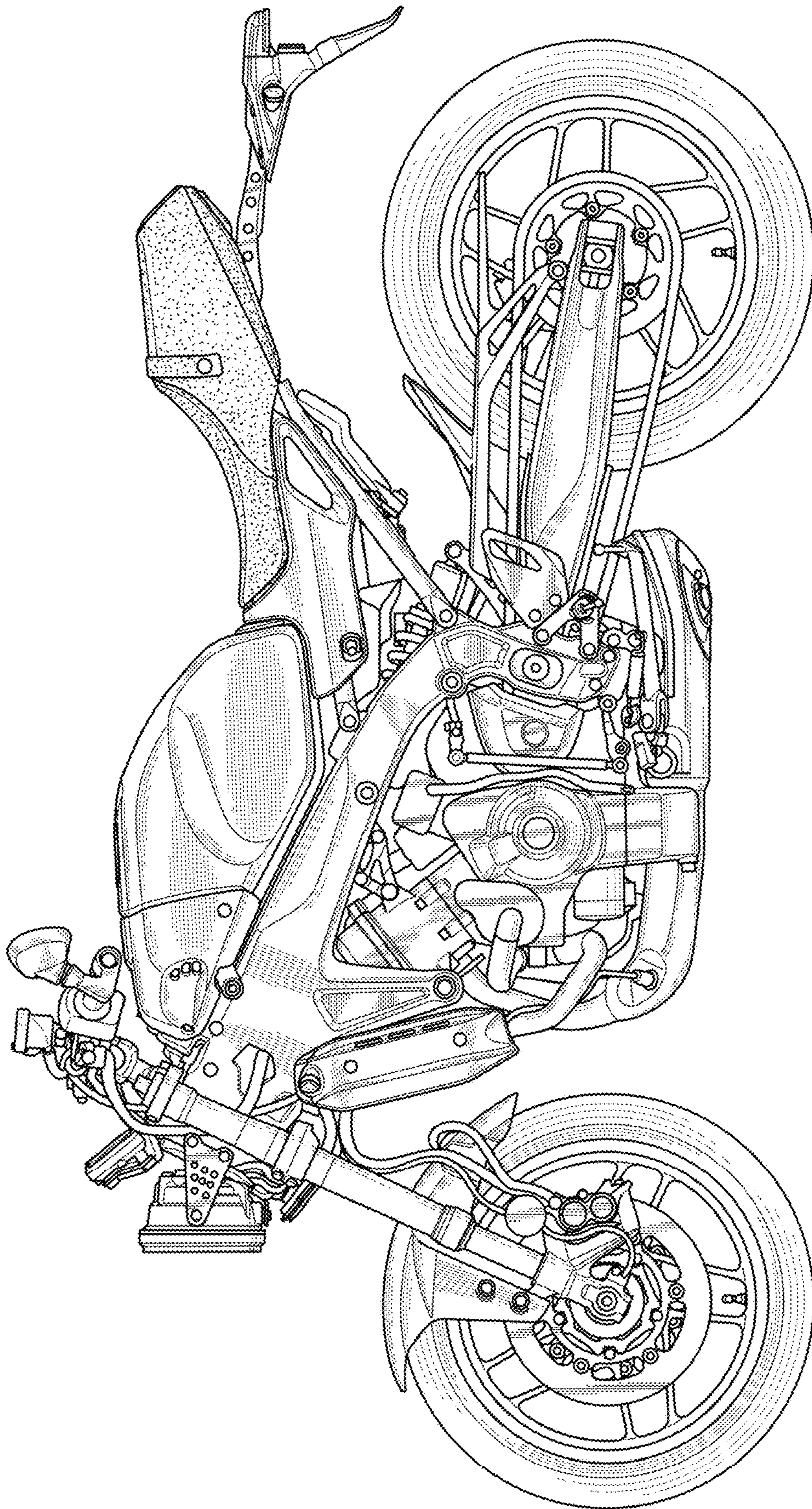


FIG. 7

