



US00D988933S

(12) **United States Design Patent**  
**Babiarz et al.**

(10) **Patent No.:** **US D988,933 S**  
(45) **Date of Patent:** **\*\* Jun. 13, 2023**

- (54) **PICKUP TRUCK BODY**
- (71) Applicant: **Nikola Corporation**, Phoenix, AZ (US)
- (72) Inventors: **Brendan Babiarz**, Phoenix, AZ (US);  
**Giuseppe Rizzo**, Moncalieri (IT)
- (73) Assignee: **Nikola Corporation**, Phoenix, AZ (US)
- (\*\*) Term: **15 Years**
- (21) Appl. No.: **29/770,143**
- (22) Filed: **Feb. 9, 2021**
- (51) **LOC (14) Cl.** ..... **12-08**
- (52) **U.S. Cl.**  
USPC ..... **D12/98**
- (58) **Field of Classification Search**  
USPC ..... D12/86, 90-92, 164, 98; D21/424, 433,  
D21/434, 533; 296/181.1, 181.5, 181.3,  
296/183.1, 37.6  
CPC ..... B60R 9/06; B62D 35/00  
See application file for complete search history.

D956,648 S \* 7/2022 Babiarz ..... D12/196  
D960,766 S \* 8/2022 Mack ..... D12/98  
D968,272 S \* 11/2022 Gillam ..... D12/98

**OTHER PUBLICATIONS**

Computer rendering of truck design posted to Twitter on Nov. 22, 2019.

\* cited by examiner

*Primary Examiner* — Melody N Brown

(74) *Attorney, Agent, or Firm* — Snell & Wilmer L.L.P.

(57) **CLAIM**

The ornamental design for a pickup truck body, as shown and described.

**DESCRIPTION**

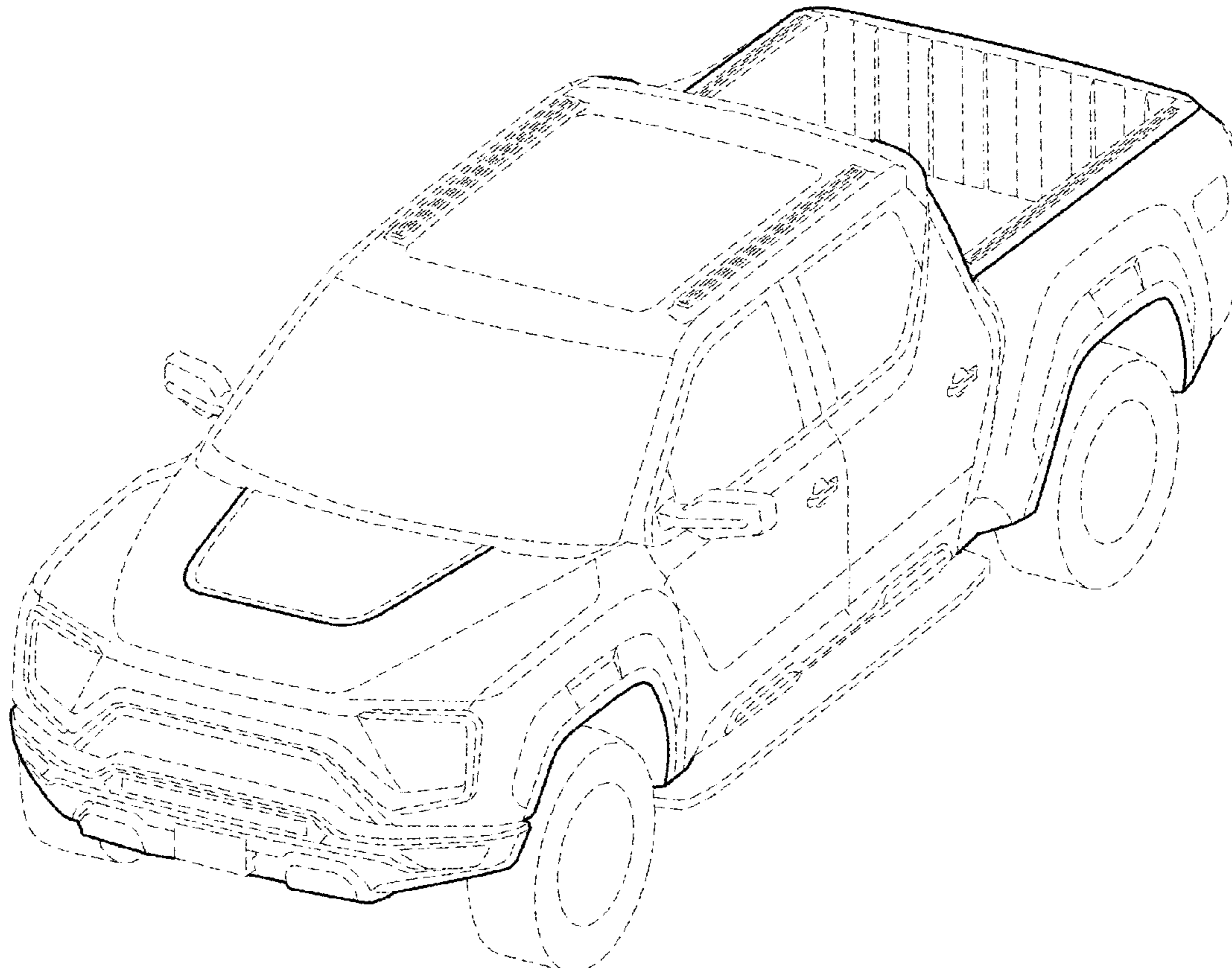
FIG. 1 is a top, front and left side perspective view of a pickup truck body showing our new design;  
FIG. 2 is a top, rear and left side perspective view thereof;  
FIG. 3 is a front elevation view thereof;  
FIG. 4 is a rear elevation view thereof;  
FIG. 5 is a right side elevation view thereof;  
FIG. 6 is a left side elevation view thereof;  
FIG. 7 is a top plan view thereof; and,  
FIG. 8 is a bottom plan view thereof.  
The broken lines in the drawings illustrate portions of the pickup truck body that form no part of the claimed design.

(56) **References Cited**

**U.S. PATENT DOCUMENTS**

D892,683 S \* 8/2020 Yamamoto ..... D12/98  
D948,381 S \* 4/2022 Owens ..... D12/98  
D953,215 S \* 5/2022 Babiarz ..... D12/163

**1 Claim, 8 Drawing Sheets**



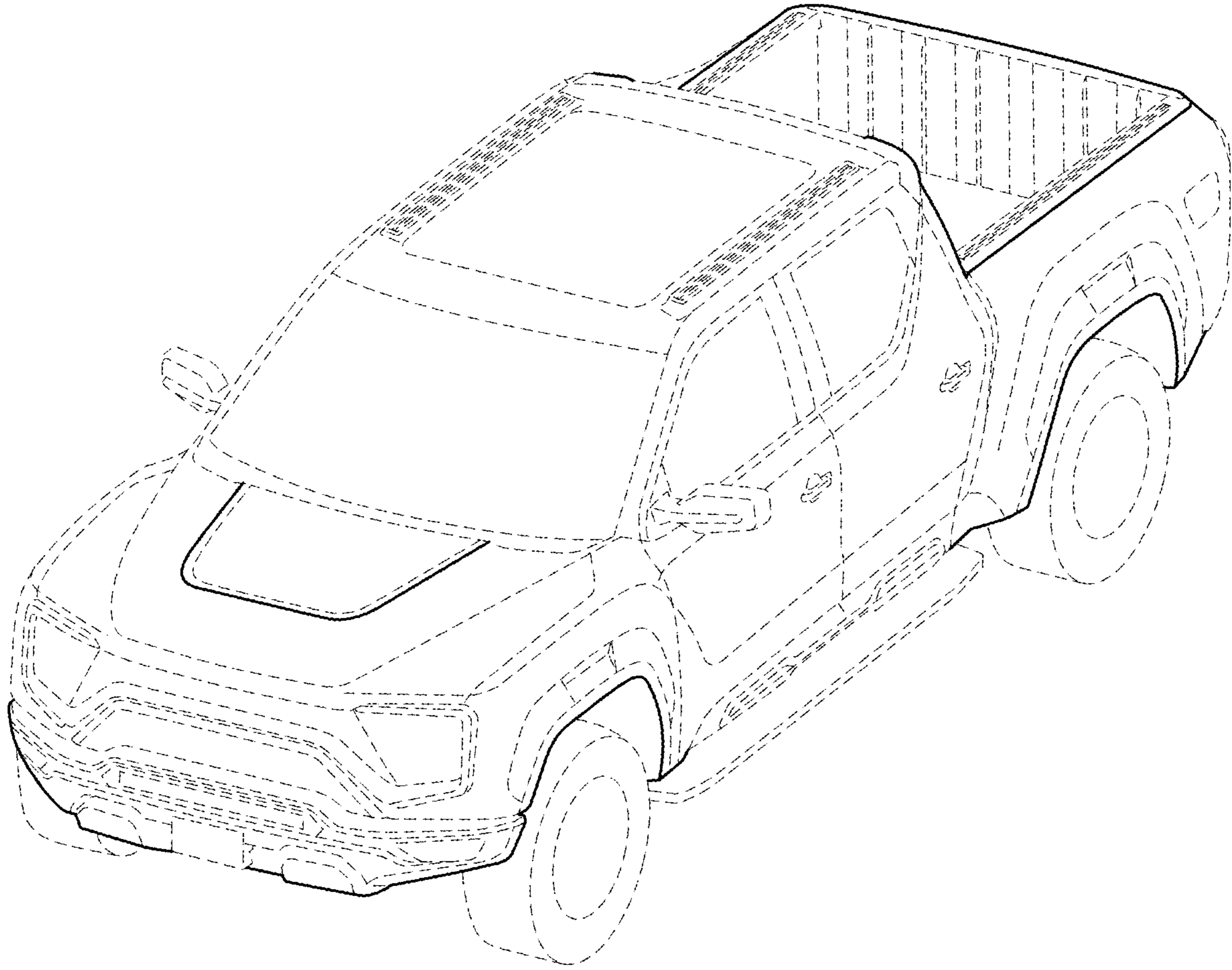


FIG.1

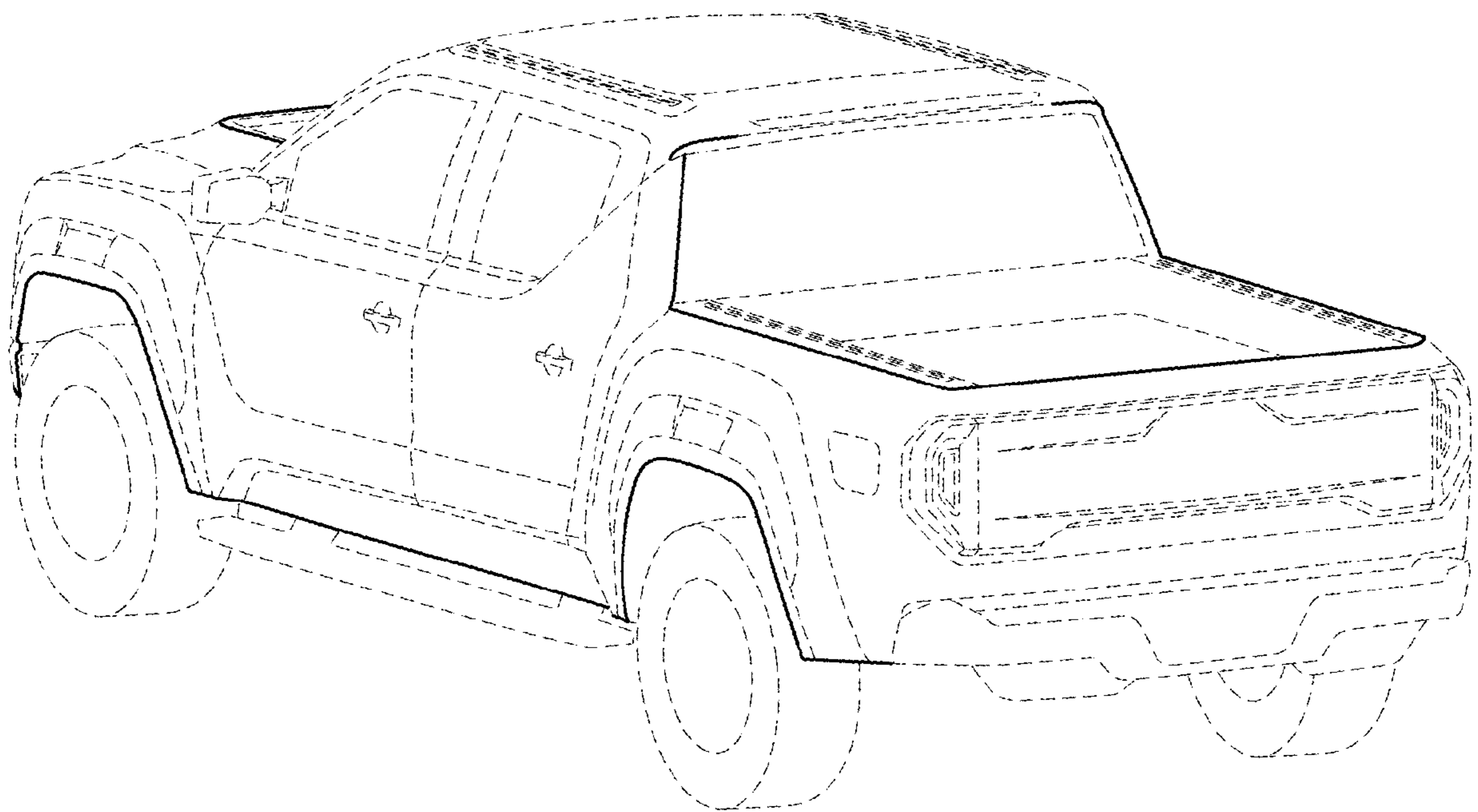


FIG.2

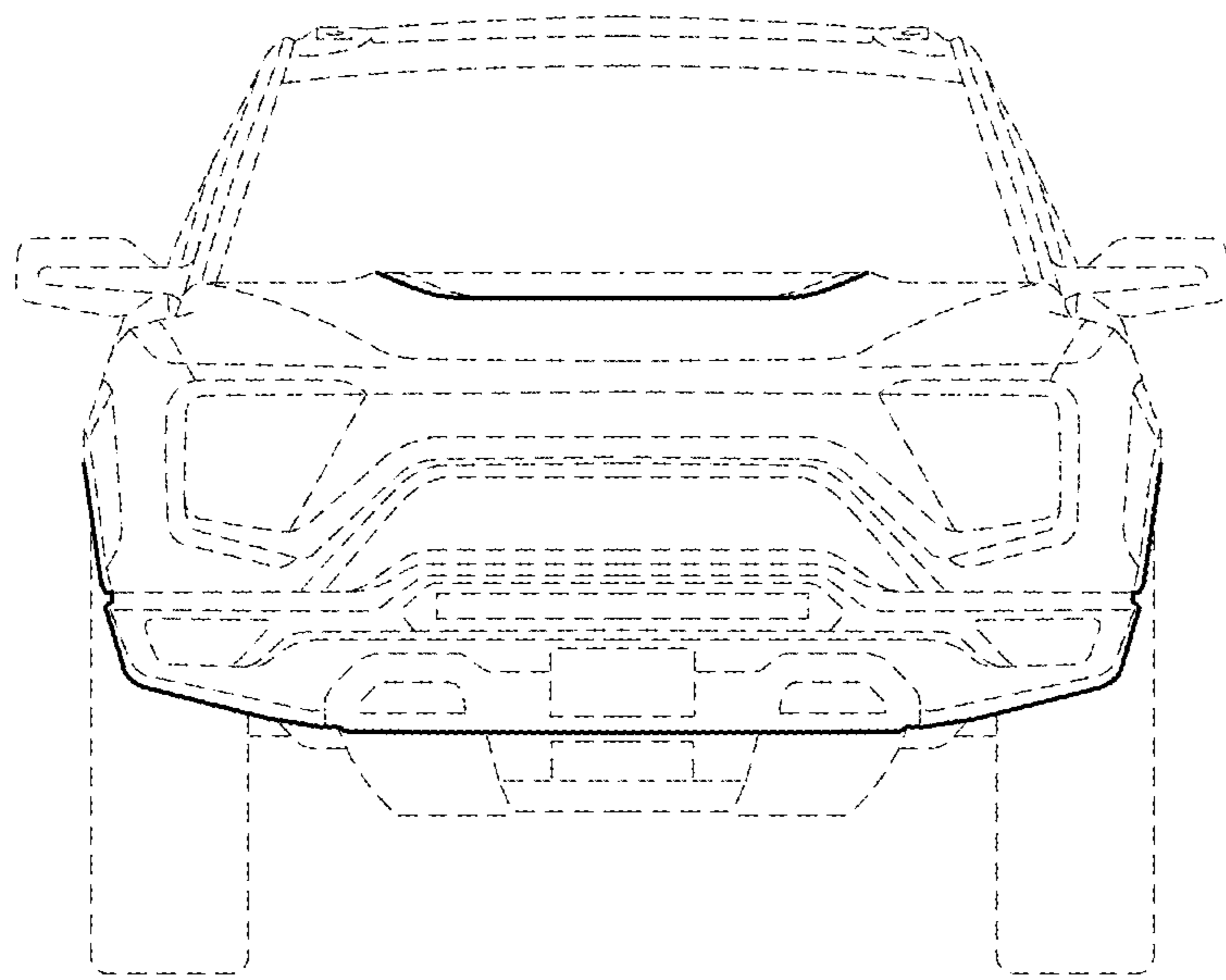


FIG.3

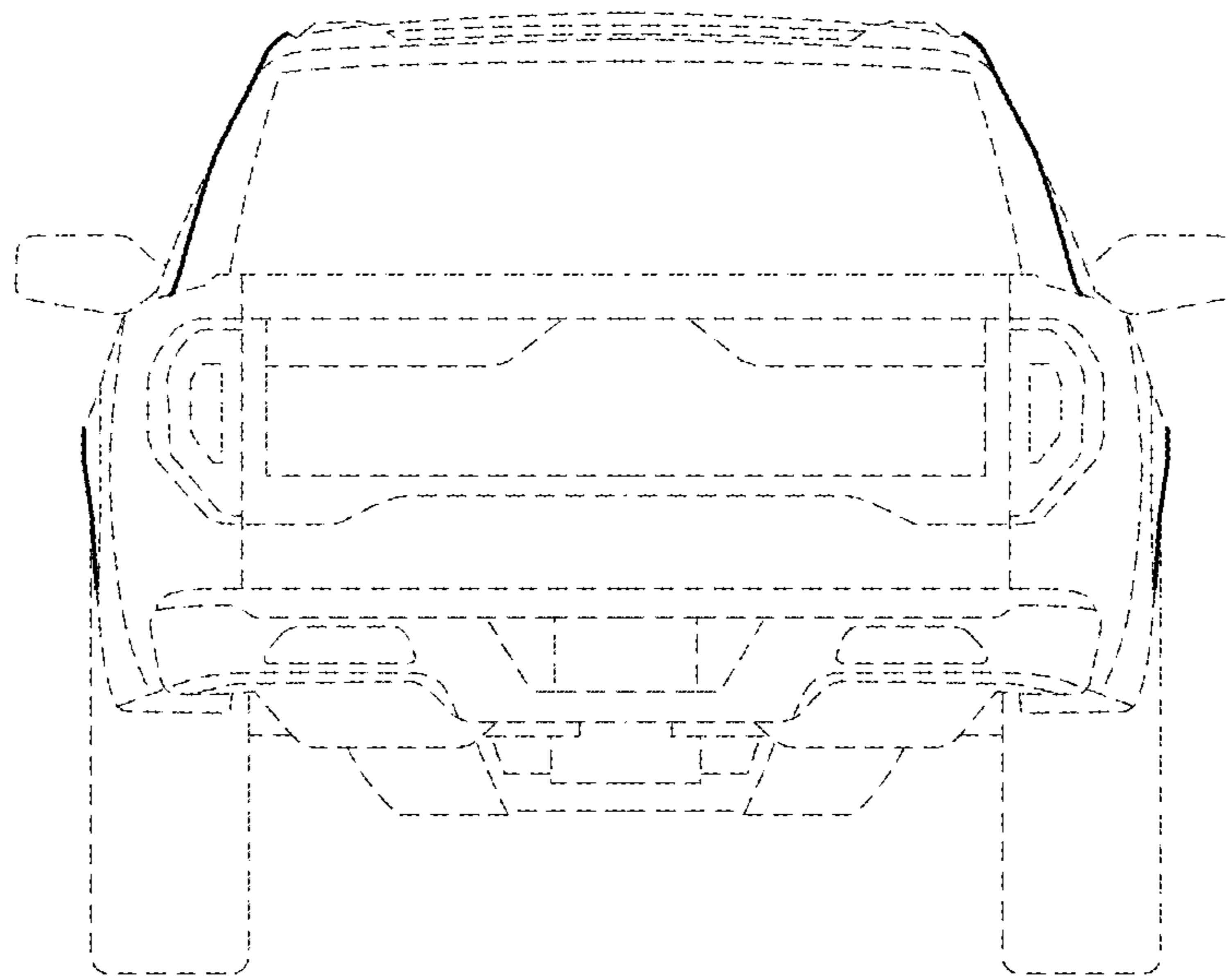


FIG.4

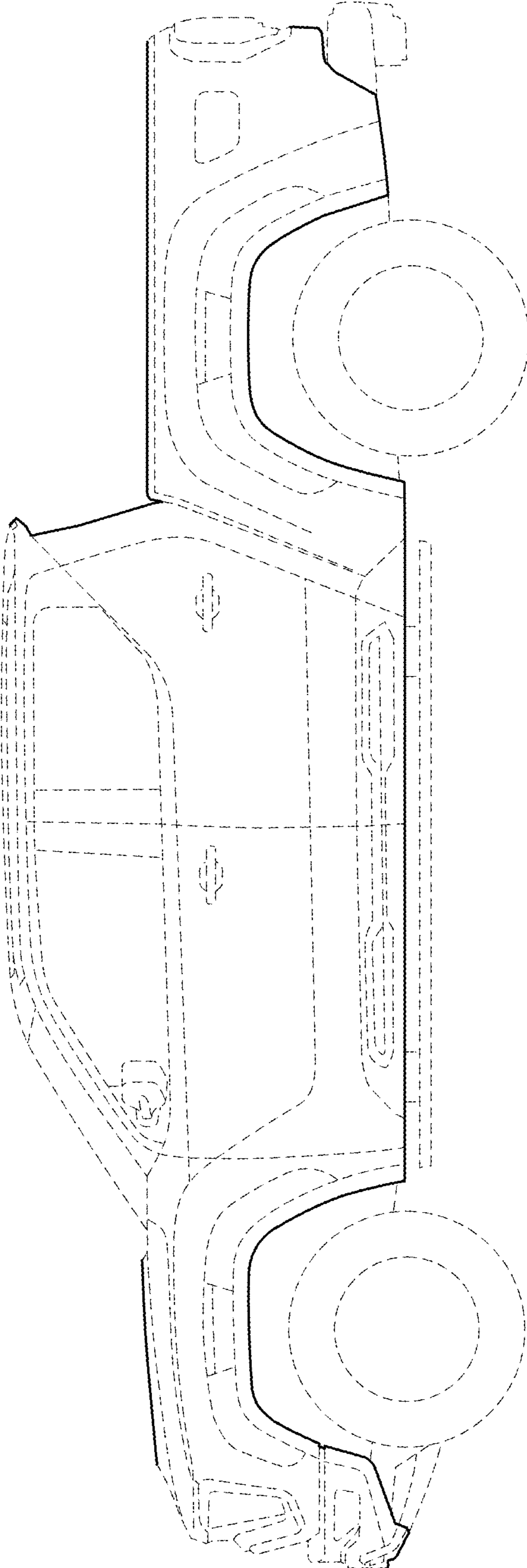


FIG.5

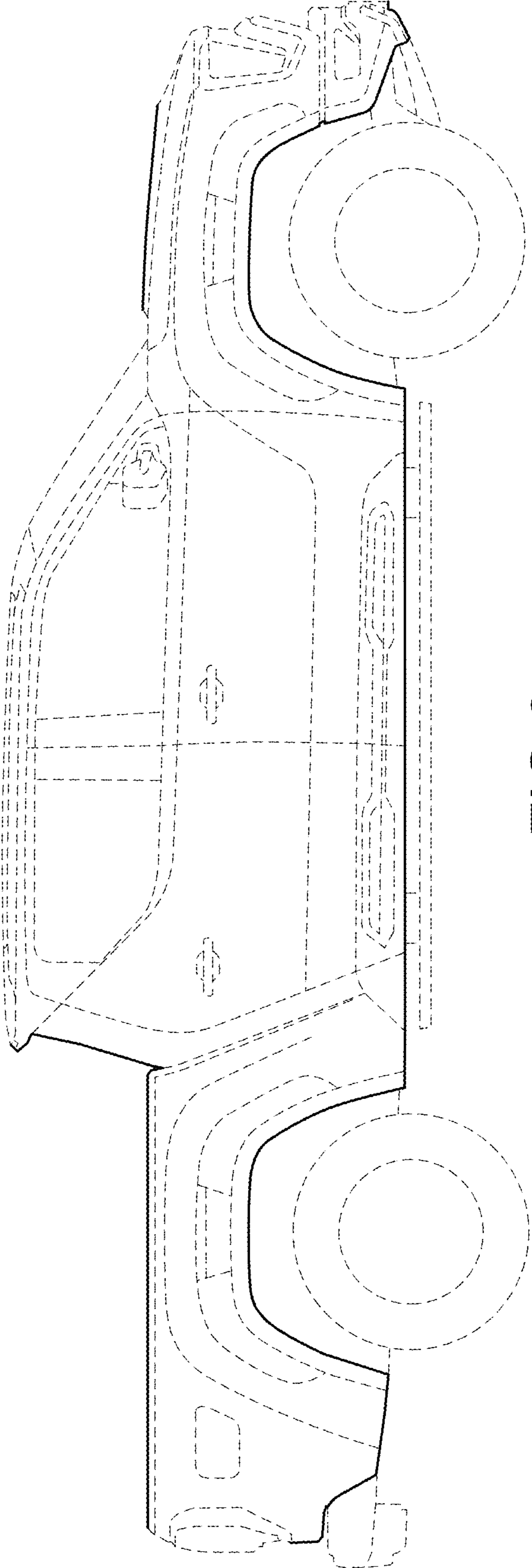


FIG.6

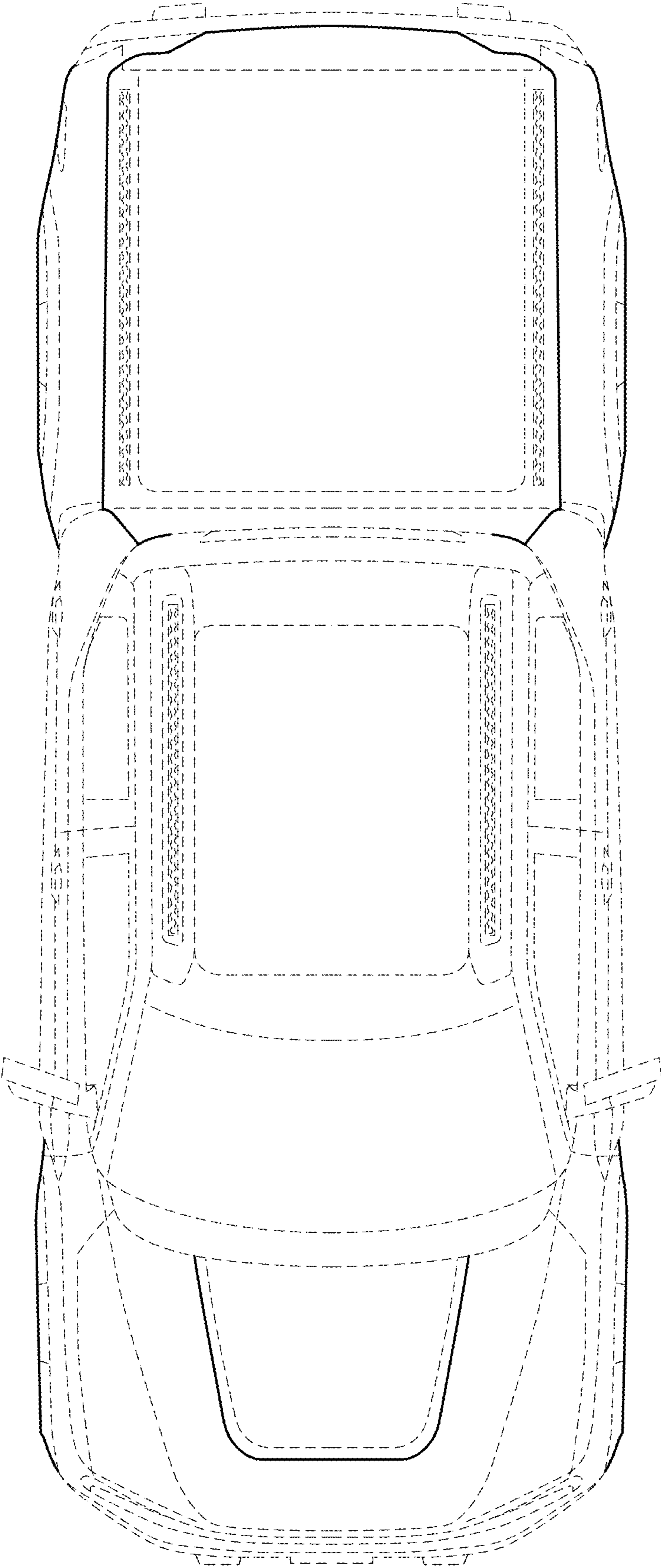


FIG.7



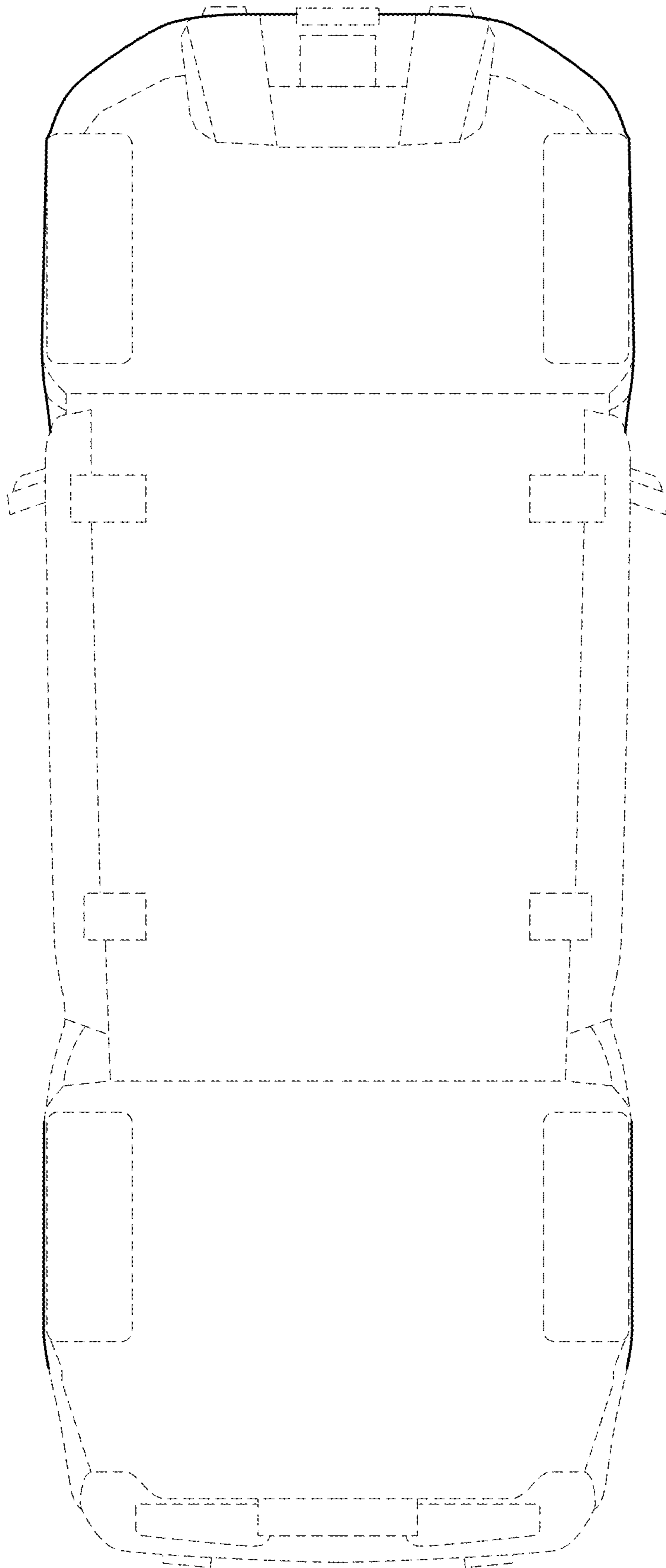


FIG.8