



US00D988930S

(12) **United States Design Patent** (10) **Patent No.:** **US D988,930 S**
Malachowski et al. (45) **Date of Patent:** **** Jun. 13, 2023**

(54) **MOTOR VEHICLE LOWER BUMPER FASCIA INSERT**

(71) Applicants: **Nicholas A. Malachowski**, Bloomfield Hills, MI (US); **Eugenio Sellaro-Neto**, Detroit, MI (US); **Alexander Tannen**, Detroit, MI (US); **Chris Piscitelli**, West Bloomfield, MI (US); **Mark D. Hall**, Rochester Hills, MI (US); **Mark T. Allen**, Oxford, MI (US)

(72) Inventors: **Nicholas A. Malachowski**, Bloomfield Hills, MI (US); **Eugenio Sellaro-Neto**, Detroit, MI (US); **Alexander Tannen**, Detroit, MI (US); **Chris Piscitelli**, West Bloomfield, MI (US); **Mark D. Hall**, Rochester Hills, MI (US); **Mark T. Allen**, Oxford, MI (US)

(73) Assignee: **FCA US LLC**, Auburn Hills, MI (US)

(**) Term: **15 Years**

(21) Appl. No.: **29/840,306**

(22) Filed: **May 27, 2022**

Related U.S. Application Data

(63) Continuation-in-part of application No. 29/764,837, filed on Jan. 4, 2021, now Pat. No. Des. 953,932, and a continuation-in-part of application No. 29/764,839, filed on Jan. 4, 2021, now Pat. No. Des. 954,601.

(51) **LOC (14) Cl.** **12-16**

(52) **U.S. Cl.**
USPC **D12/169**

(58) **Field of Classification Search**

USPC D12/169, 196, 86, 90-92, 163, 171;
296/180.1, 180.2; 293/102, 113, 115,
293/117, 120
CPC B62B 9/16; B60K 11/08; B62D 25/08;
B60R 19/52
See application file for complete search history.

(56) **References Cited**

U.S. PATENT DOCUMENTS

D860,884 S * 9/2019 Pollard D12/169
D876,997 S * 3/2020 Zeng D12/163
D906,191 S * 12/2020 Han D12/163
D907,538 S * 1/2021 Gittin, Jr. D12/163

* cited by examiner

Primary Examiner — Melody N Brown

(74) *Attorney, Agent, or Firm* — Ralph E. Smith

(57) **CLAIM**

The ornamental design for a motor vehicle lower bumper fascia insert, as shown and described.

DESCRIPTION

The patent or application file contains at least one drawing executed in color. Copies of this patent or patent application publication with color drawing(s) will be provided by the Office upon request and payment of the necessary fee.

FIG. 1 is a front perspective view of a motor vehicle lower bumper fascia insert showing our new design;

FIG. 2 is a rear perspective view thereof;

FIG. 3 is a front view thereof;

FIG. 4 is a rear view thereof;

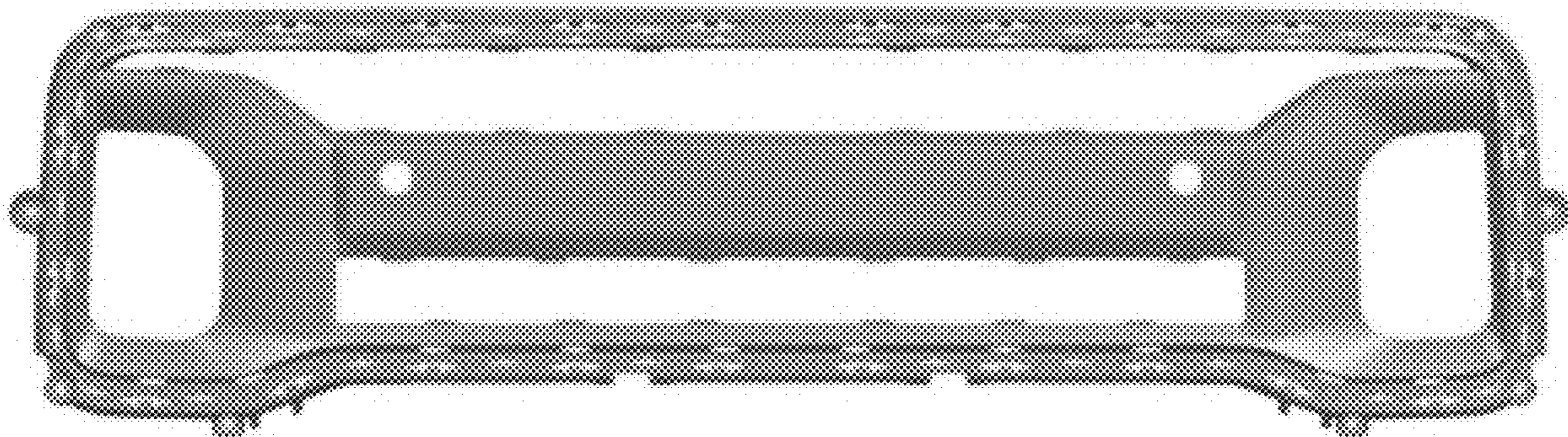
FIG. 5 is a side view thereof;

FIG. 6 is an opposite side view thereof;

FIG. 7 is top view thereof; and,

FIG. 8 is a bottom view thereof.

1 Claim, 6 Drawing Sheets
(6 of 6 Drawing Sheet(s) Filed in Color)



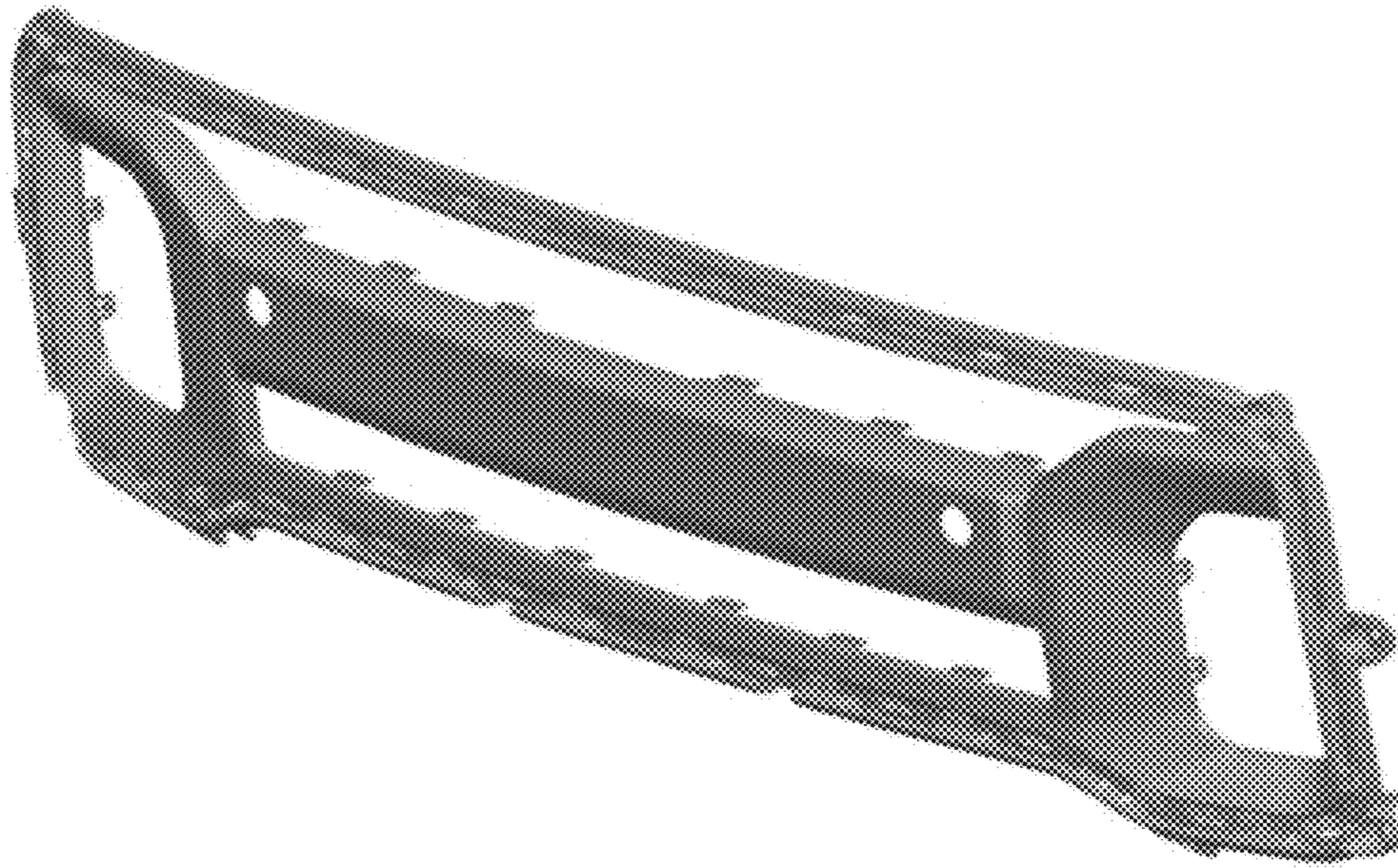


FIG 1

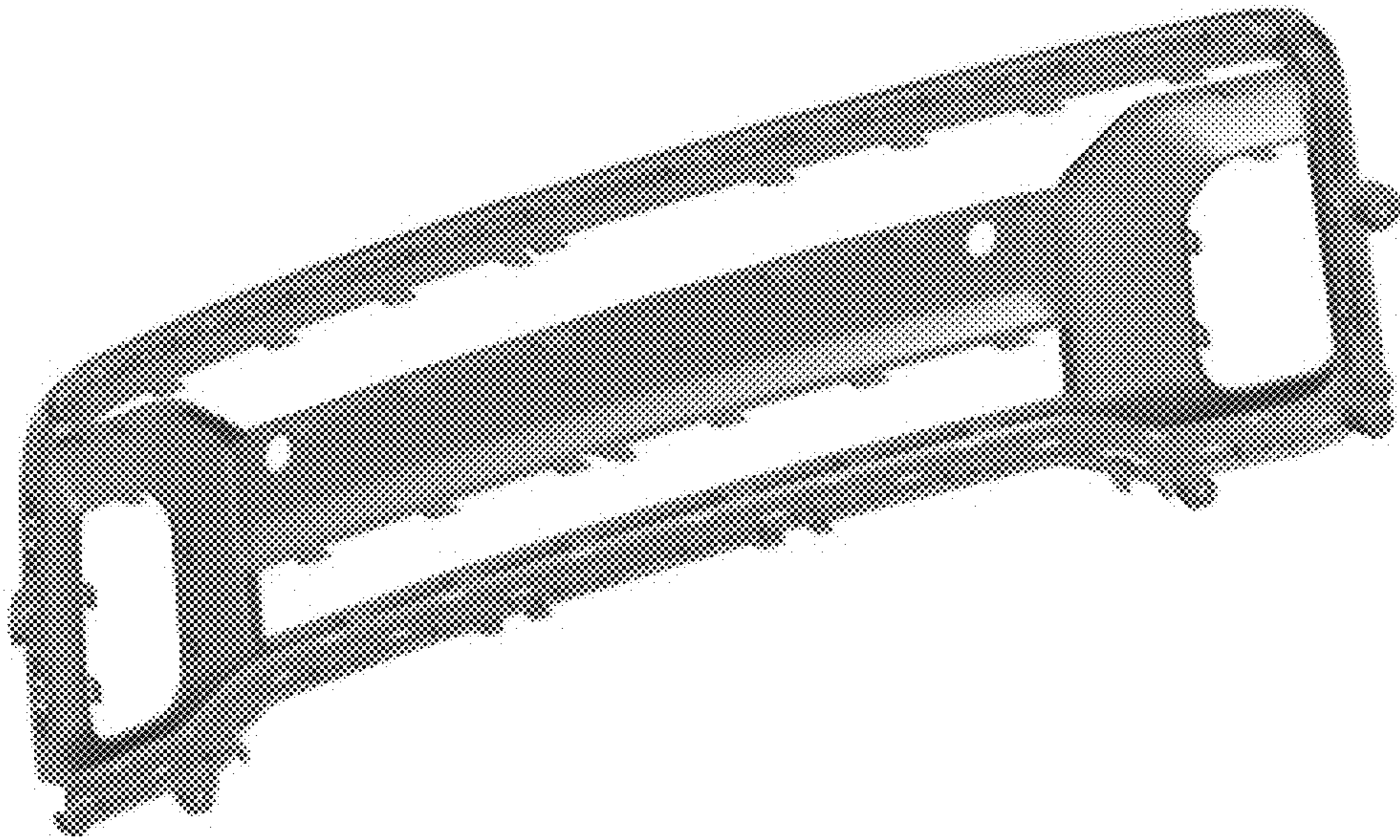


FIG 2

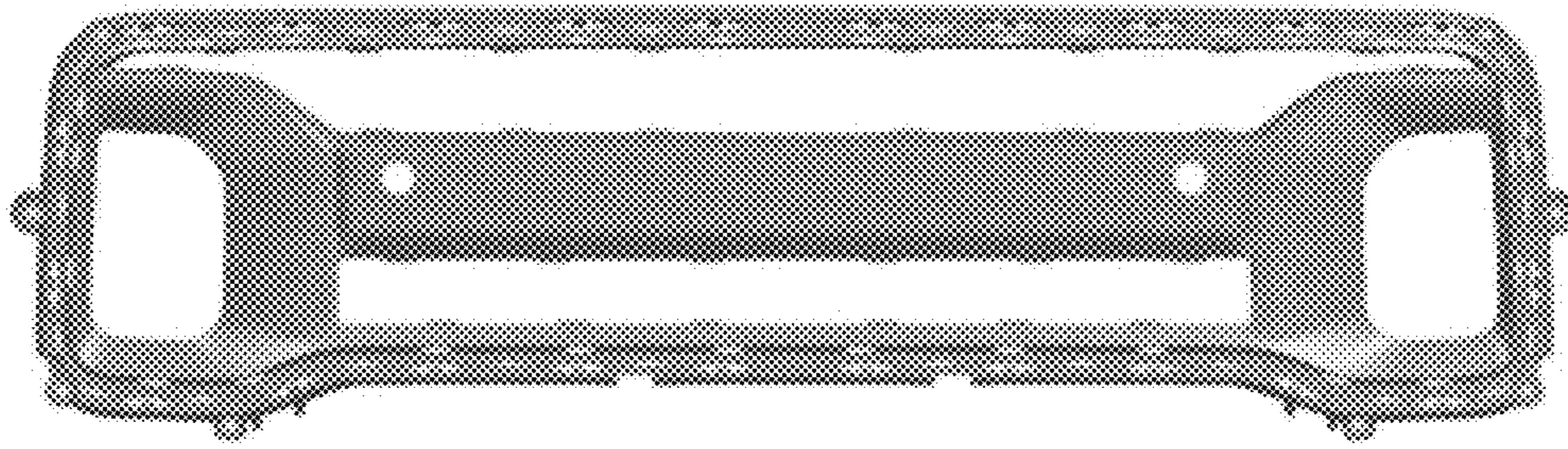


FIG 3

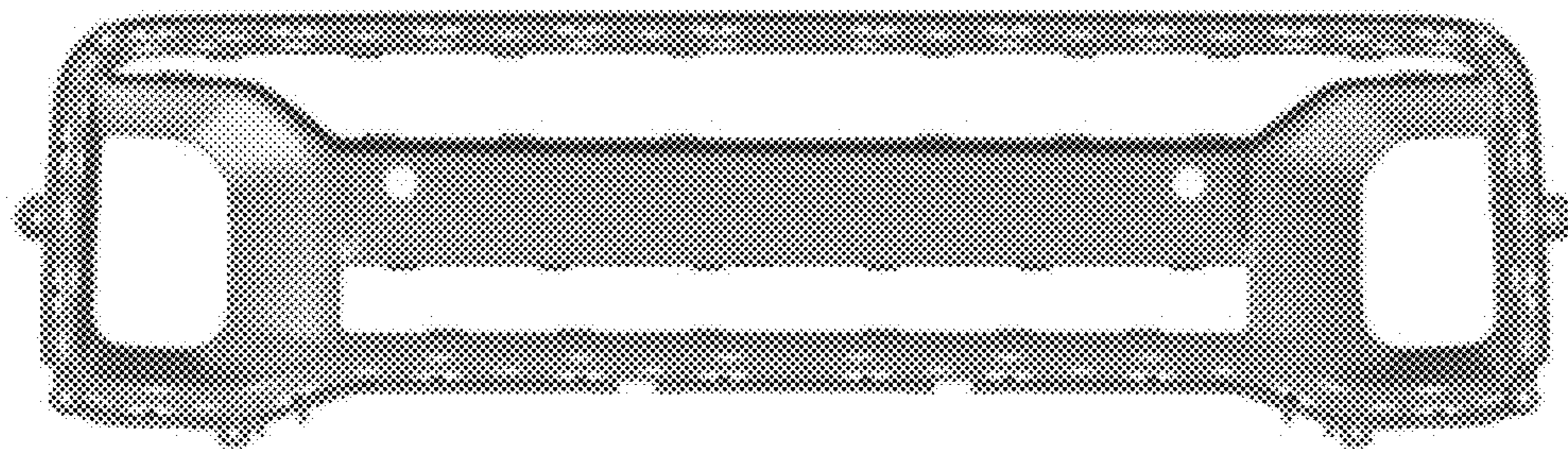


FIG 4

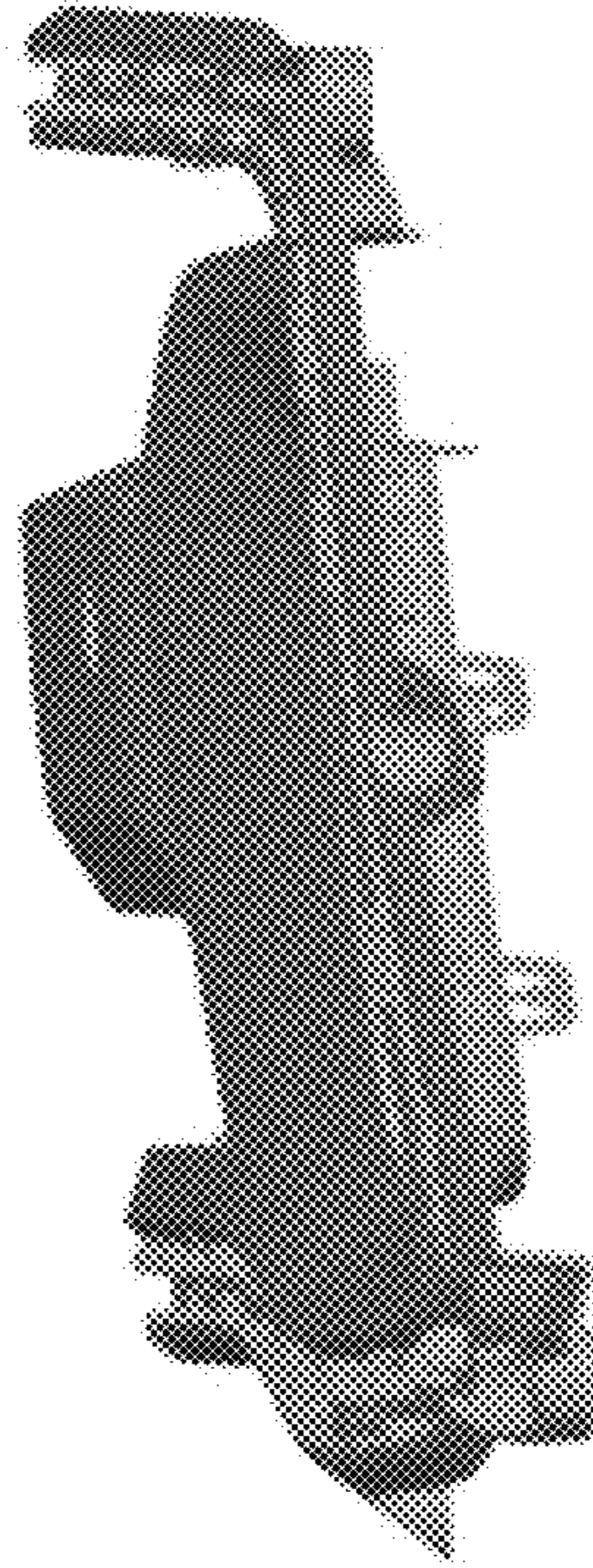


FIG 5

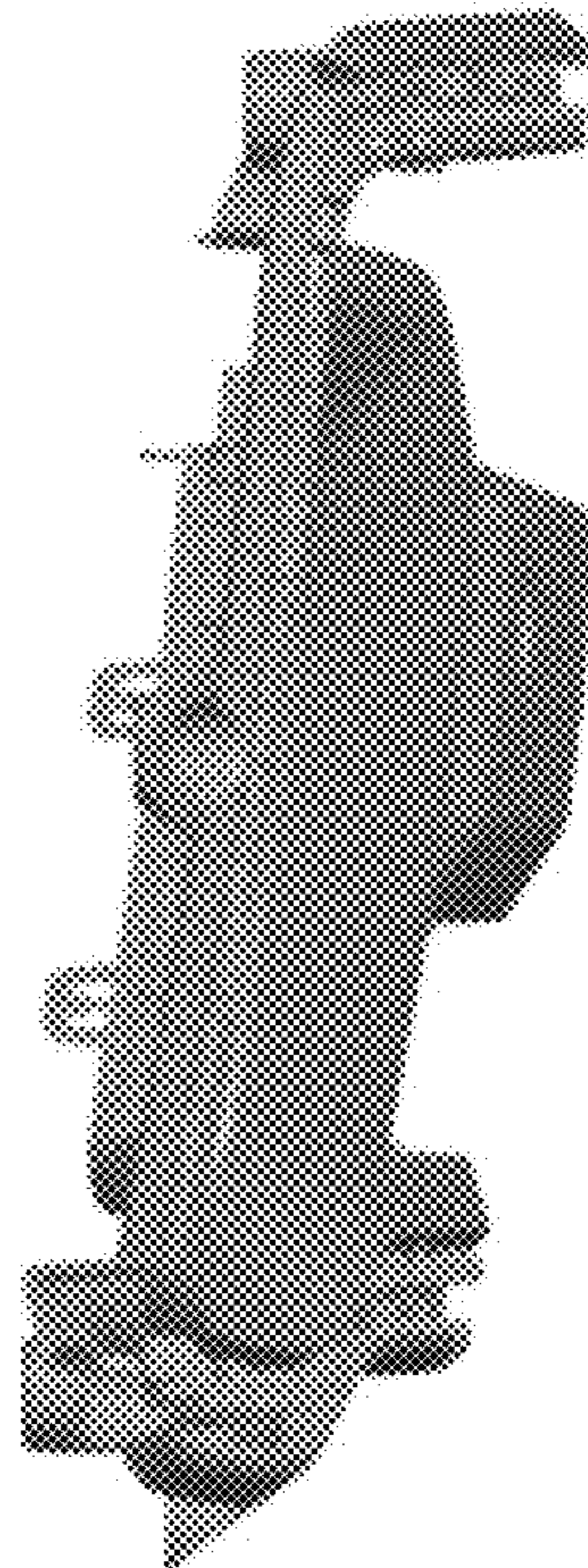


FIG 6

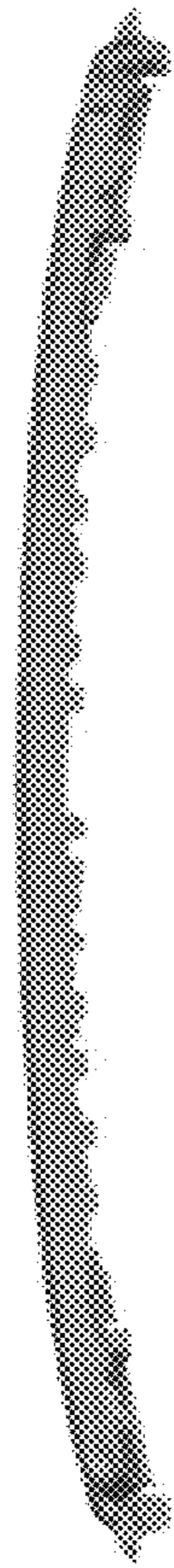


FIG 7

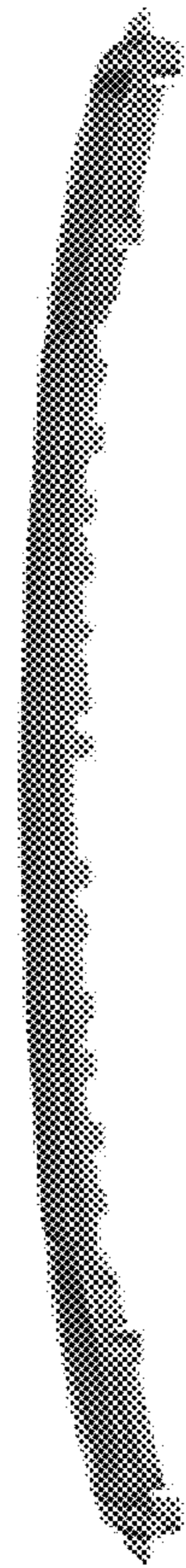


FIG 8