



US00D988929S

(12) **United States Design Patent**
Frascella et al.

(10) **Patent No.:** **US D988,929 S**
(45) **Date of Patent:** **** Jun. 13, 2023**

- (54) **MOTOR VEHICLE**
- (71) Applicant: **Jaguar Land Rover Limited**, Whitley Coventry (GB)
- (72) Inventors: **Massimo Frascella**, Whitley Coventry (GB); **Constantino Segui Gilabert**, Whitley Coventry (GB)
- (73) Assignee: **Jaguar Land Rover Limited**, Whitley Coventry (GB)
- (**) Term: **15 Years**
- (21) Appl. No.: **29/786,765**
- (22) Filed: **Jun. 2, 2021**

- (30) **Foreign Application Priority Data**
 - Dec. 3, 2020 (EM) 008307623-0001
 - Dec. 3, 2020 (EM) 008307623-0002
- (51) **LOC (14) Cl.** **12-08**
- (52) **U.S. Cl.**
USPC **D12/91**
- (58) **Field of Classification Search**
USPC D12/86, 90-92, 164; D21/424, 433, 434, D21/533, 534, 535; 296/181.1-181.5, 296/183.1
CPC B62D 25/00; B62D 25/06; B62D 33/00; B62D 35/00
See application file for complete search history.

- (56) **References Cited**
U.S. PATENT DOCUMENTS
 - D718,188 S * 11/2014 Wheel D12/91
 - D735,610 S * 8/2015 Wheel D12/91
 - D750,531 S * 3/2016 Watkins D12/91
 - D750,532 S * 3/2016 Frascella D12/91
 - D774,417 S * 12/2016 Watkins D12/91
 - D805,959 S * 12/2017 Wheel D12/91

- D805,960 S * 12/2017 Wheel D12/91
 - D807,228 S * 1/2018 Woolley D12/91
 - D817,817 S * 5/2018 Frascella D12/91
 - D818,399 S * 5/2018 Frascella D12/91
 - D834,450 S * 11/2018 Hill D12/91
 - D840,269 S * 2/2019 Frascella D12/91
 - D840,274 S * 2/2019 Grewer D12/91
 - D849,600 S * 5/2019 Egan D12/91
 - D862,312 S * 10/2019 Frascella D12/91
 - D872,651 S * 1/2020 Pollard D12/91
 - D881,072 S * 4/2020 Frascella D12/91
- (Continued)

Primary Examiner — Melody N Brown
(74) *Attorney, Agent, or Firm* — Wood Herron & Evans LLP

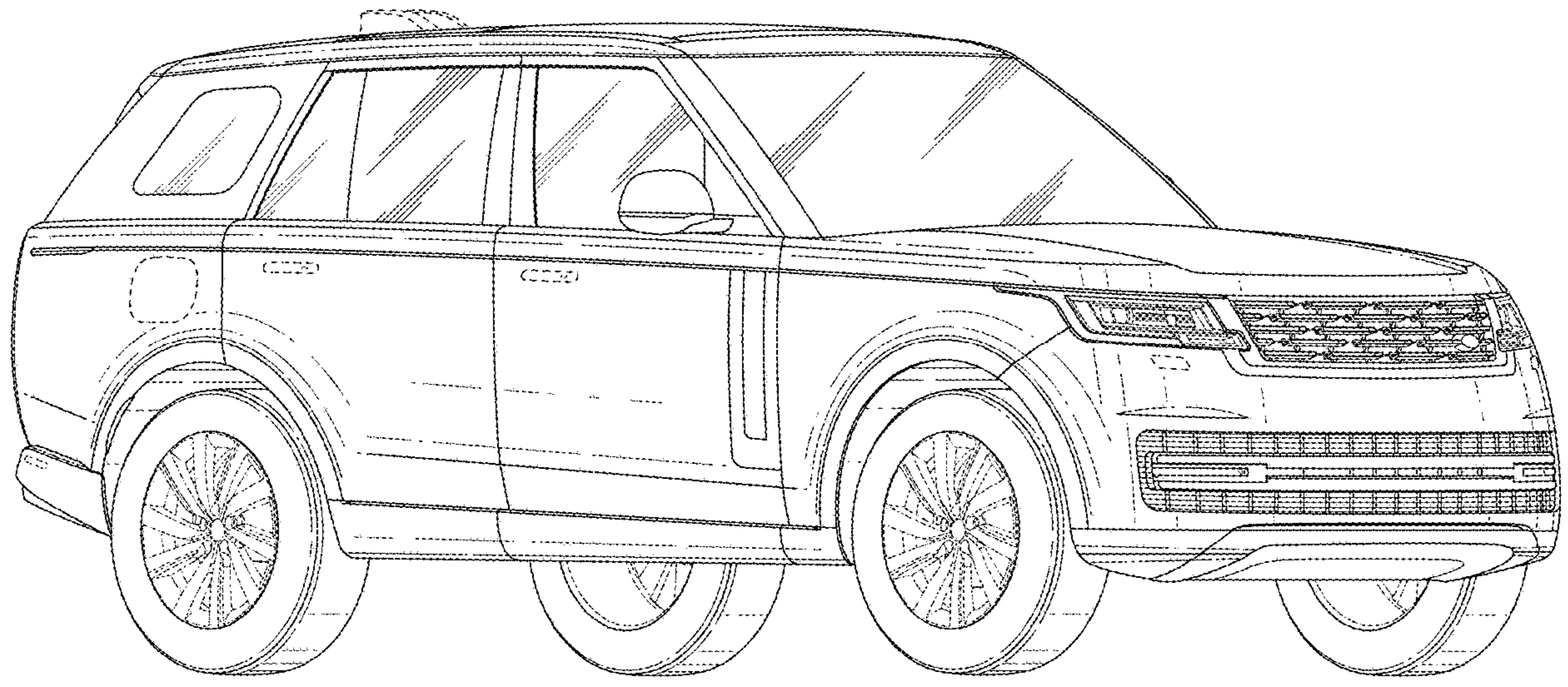
(57) **CLAIM**
The ornamental design for a motor vehicle, as shown and described.

DESCRIPTION

FIG. 1 is a left, front perspective view of a motor vehicle showing our new design;
 FIG. 2 is a right, rear perspective view thereof;
 FIG. 3 is a front elevational view thereof;
 FIG. 4 is a rear elevational view thereof;
 FIG. 5 is a left side elevational view thereof;
 FIG. 6 is a right side elevational view thereof;
 FIG. 7 is a top plan view thereof;
 FIG. 8 is a left, front perspective view of a motor vehicle showing second embodiment of our new design;
 FIG. 9 is a right, rear perspective view of FIG. 8;
 FIG. 10 is a front elevational view of FIG. 8;
 FIG. 11 is a rear elevational view of FIG. 8;
 FIG. 12 is a left side elevational view of FIG. 8;
 FIG. 13 is a right side elevational view of FIG. 8; and,
 FIG. 14 is a top plan view of FIG. 8.

The broken lines form no part of the claimed design, but instead show environmental structure and serve as unclaimed boundaries.

1 Claim, 14 Drawing Sheets



(56)

References Cited

U.S. PATENT DOCUMENTS

D889,318 S *	7/2020	Egan	D12/91
D913,158 S *	3/2021	Grand	D12/91
D918,774 S *	5/2021	Frascella	D12/91
D920,843 S *	6/2021	Battams	D12/91
D942,328 S *	2/2022	Battams	D12/91
D957,997 S *	7/2022	Wheel	D12/91
D957,998 S *	7/2022	Wheel	D12/91
D958,001 S *	7/2022	Grand	D12/91
D958,002 S *	7/2022	Grand	D12/91

* cited by examiner

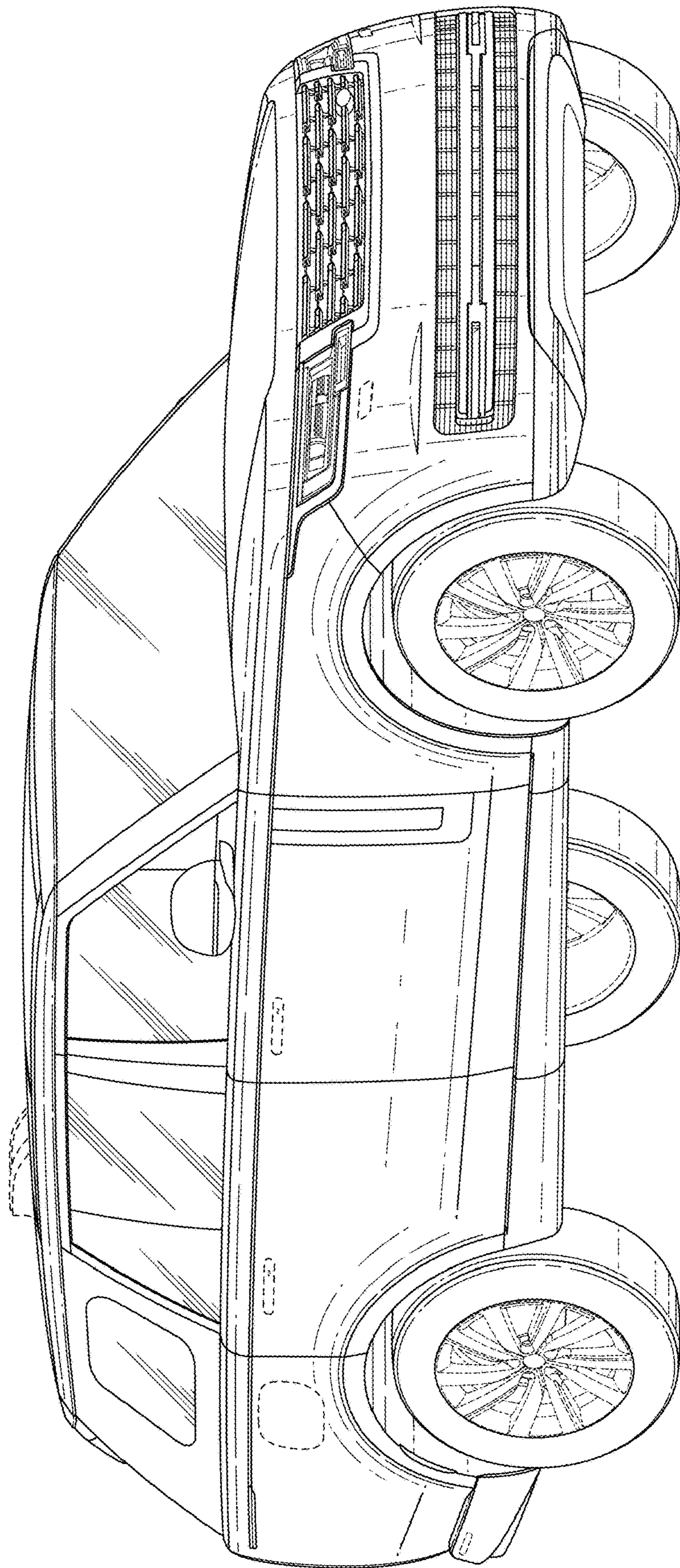


FIG. 1

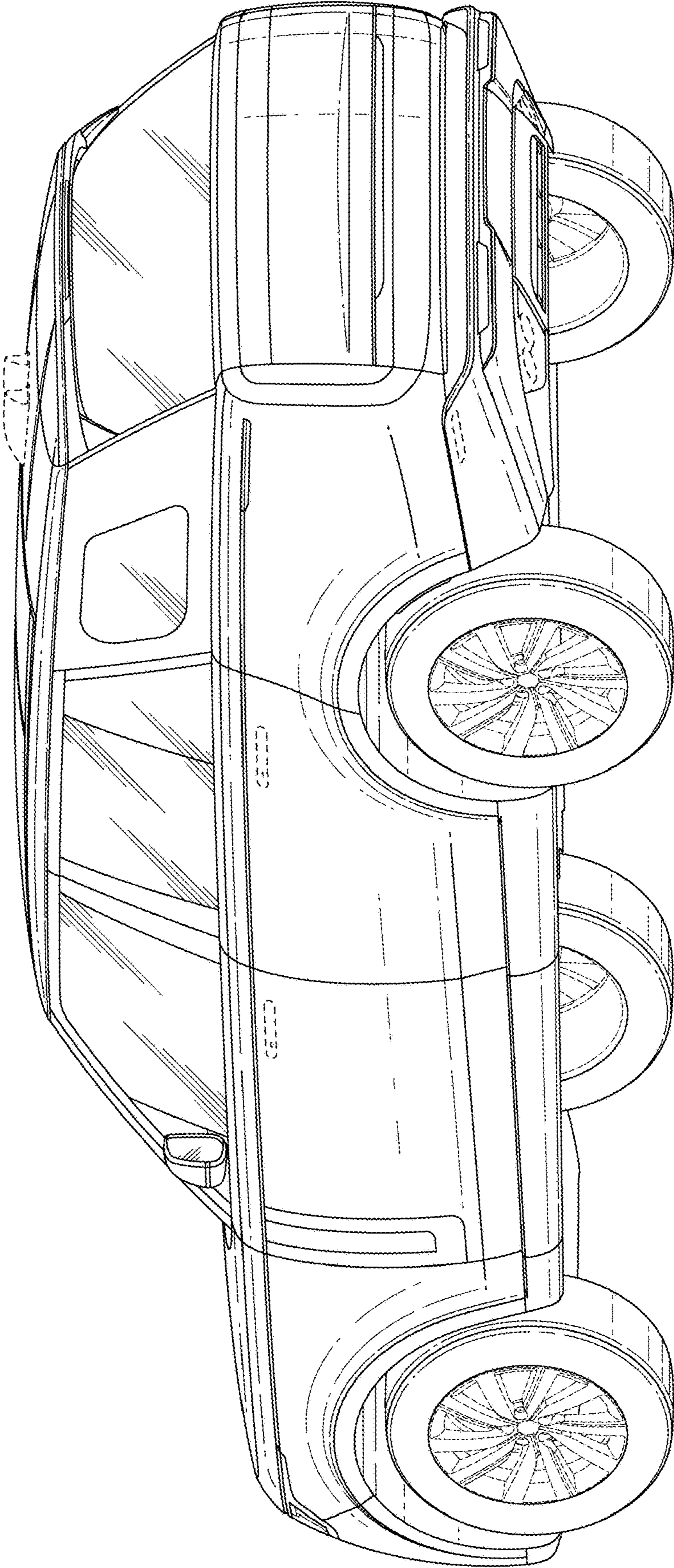


FIG. 2

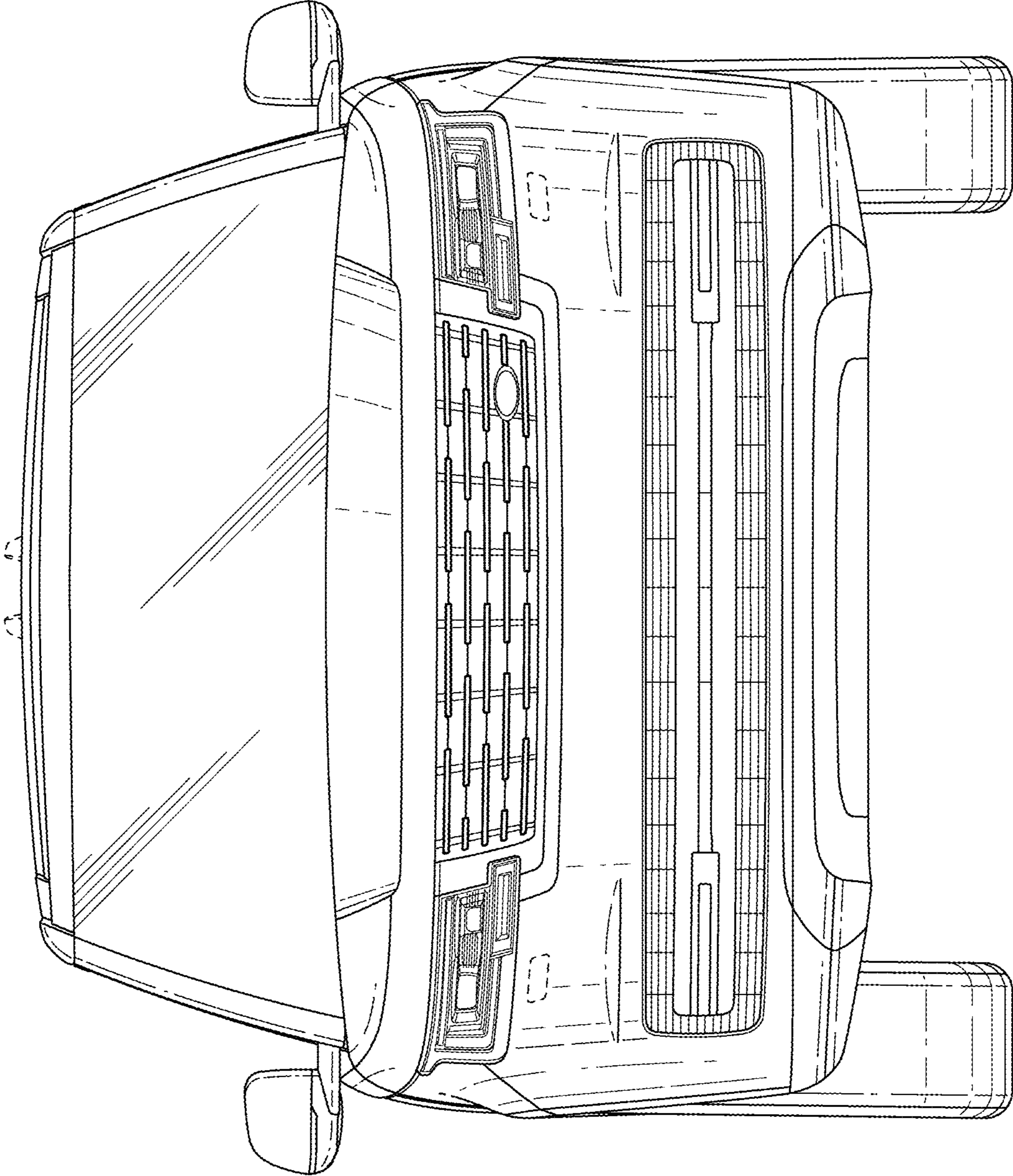


FIG. 3

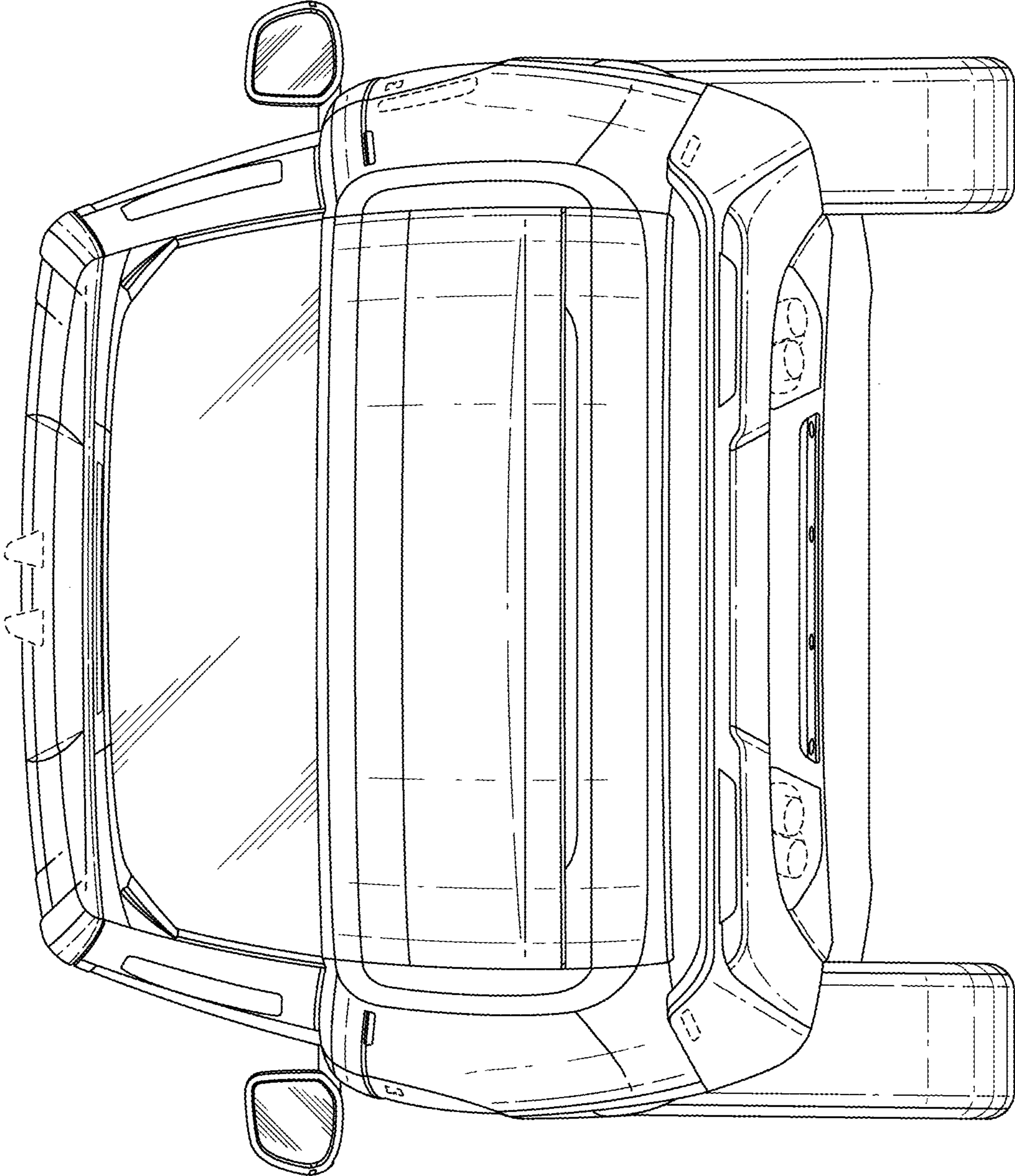


FIG. 4

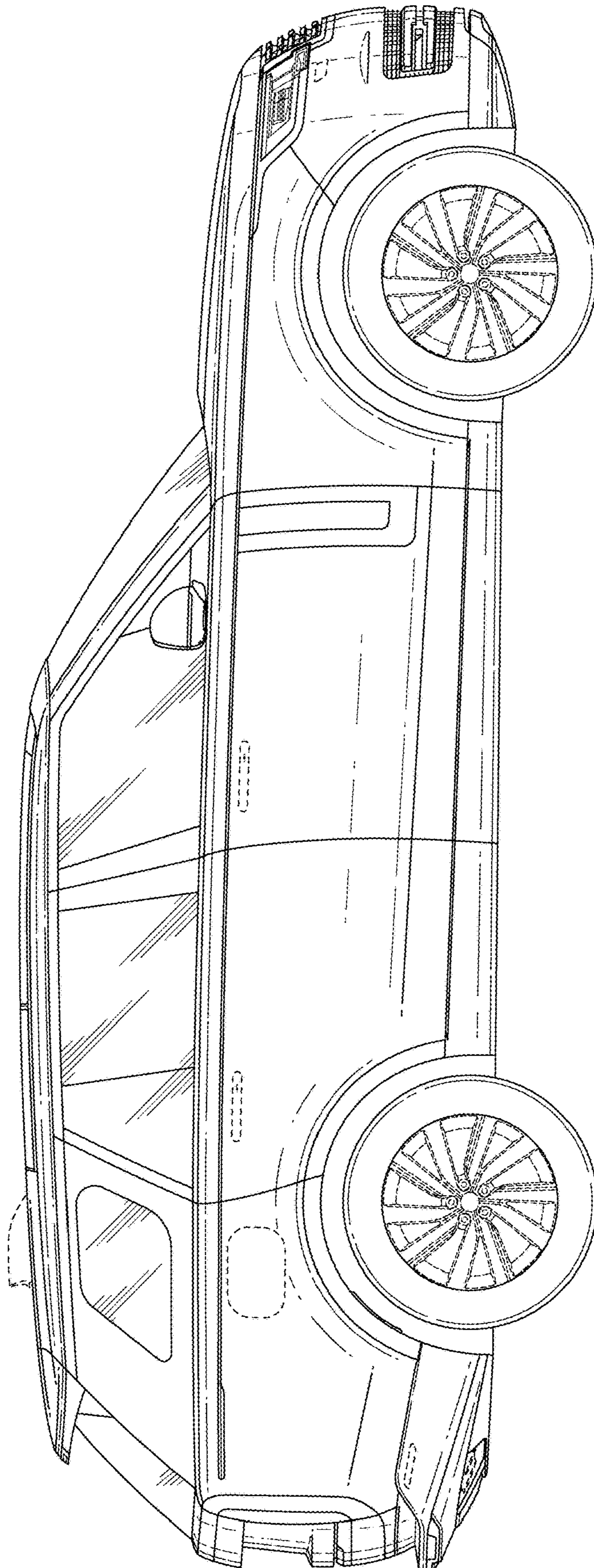


FIG. 5

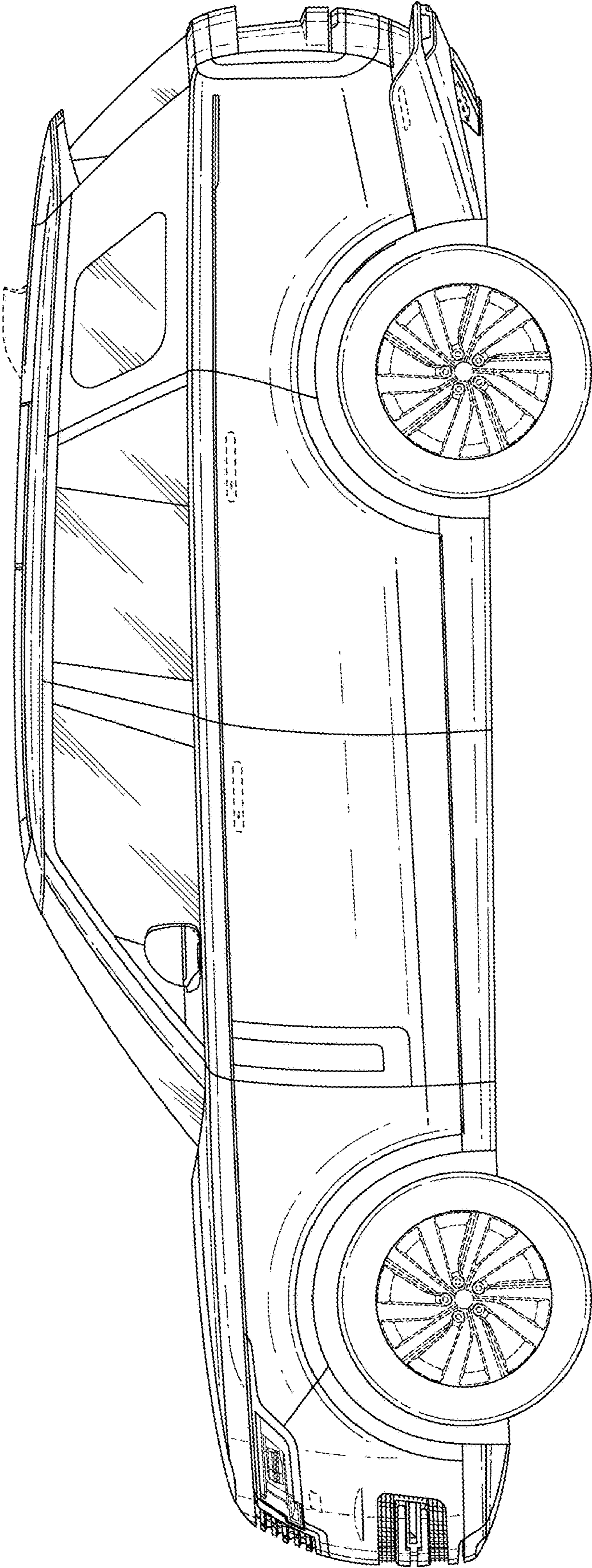


FIG. 6

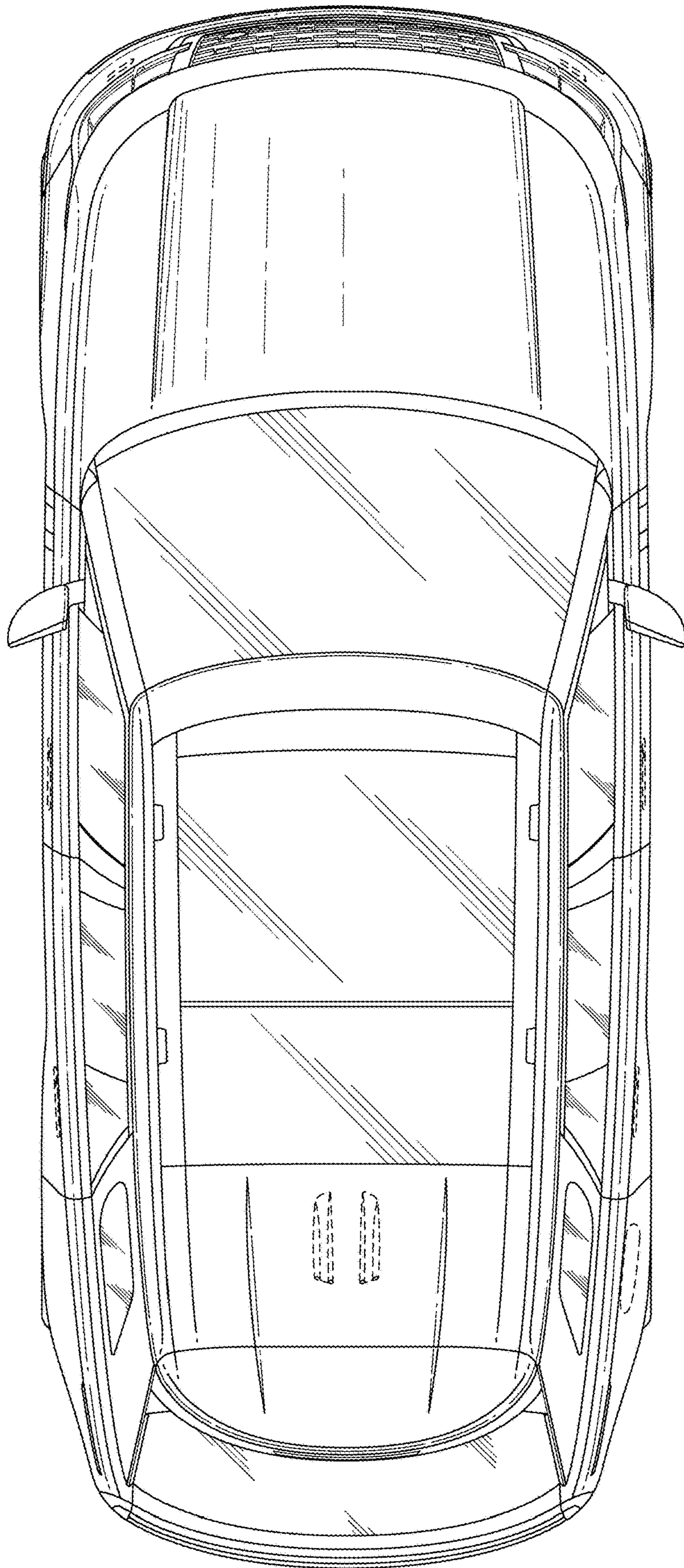


FIG. 7

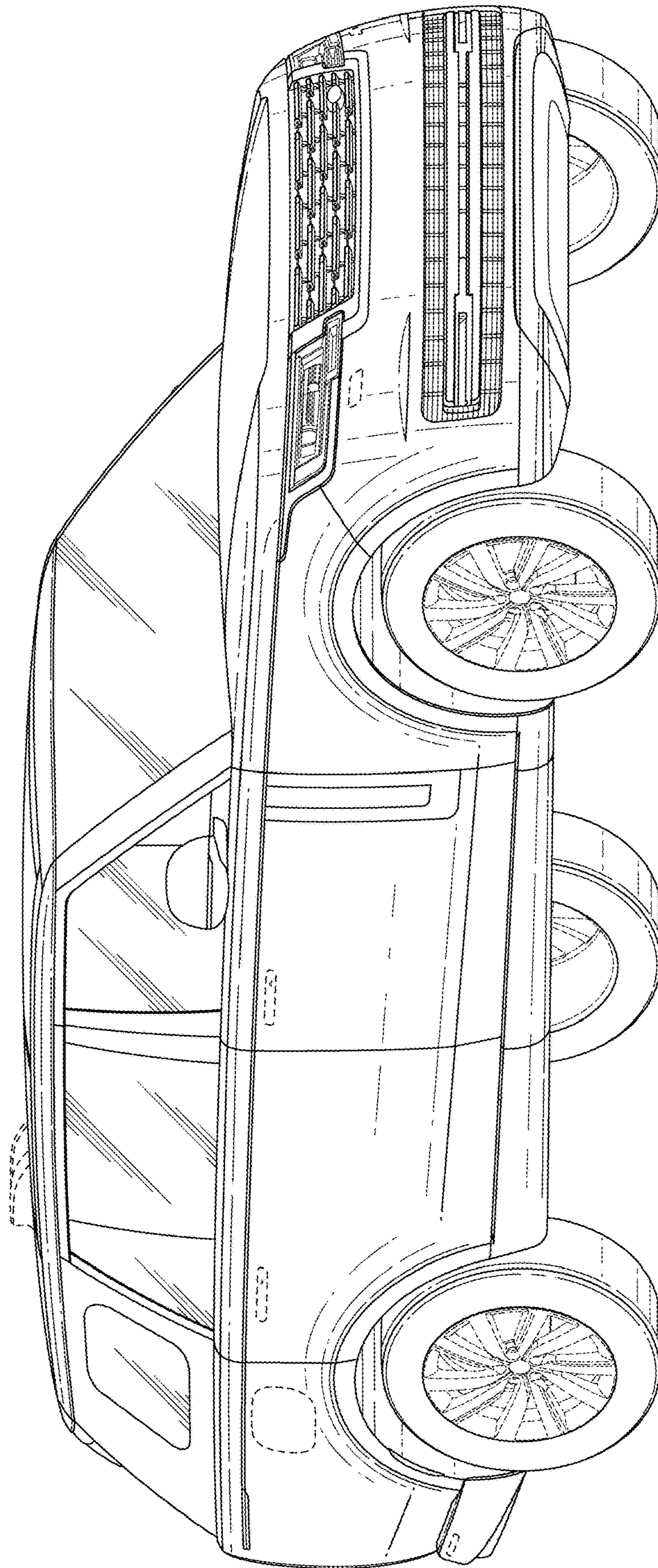


FIG. 8

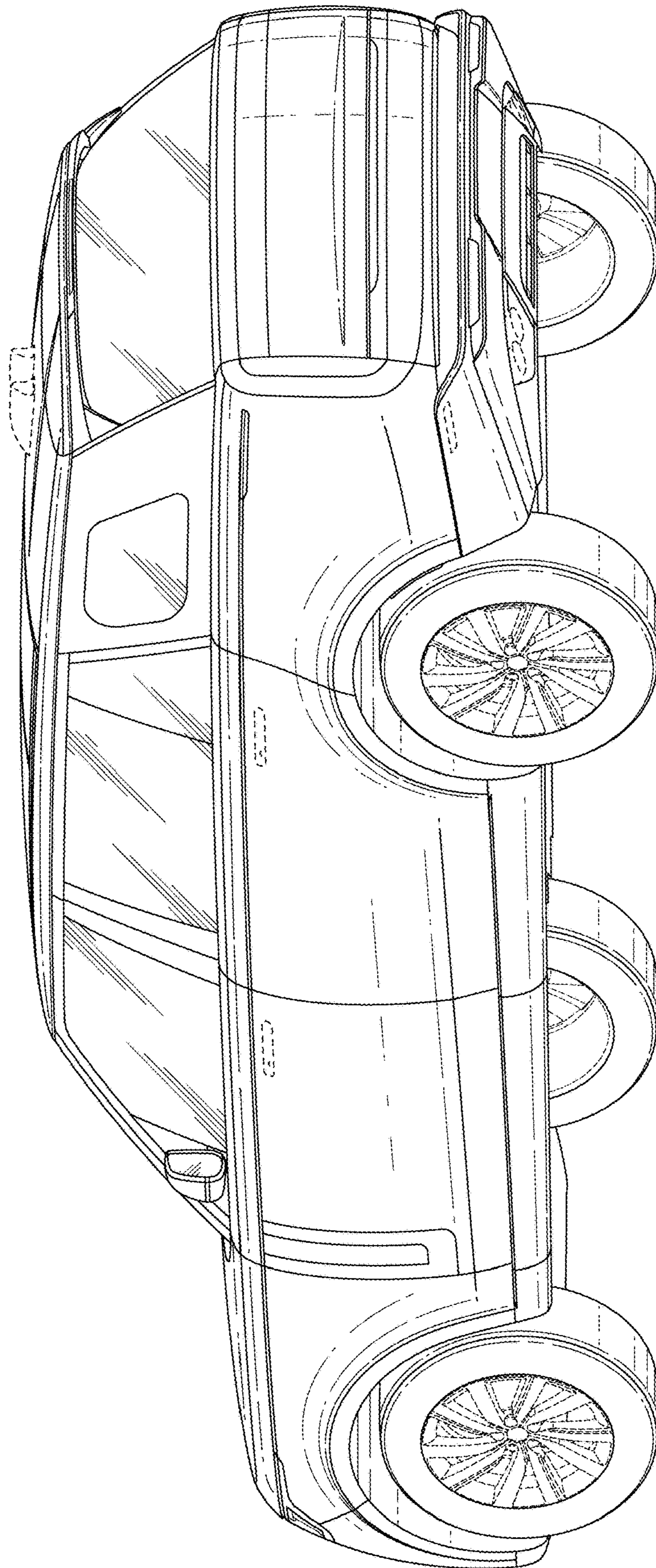


FIG. 9

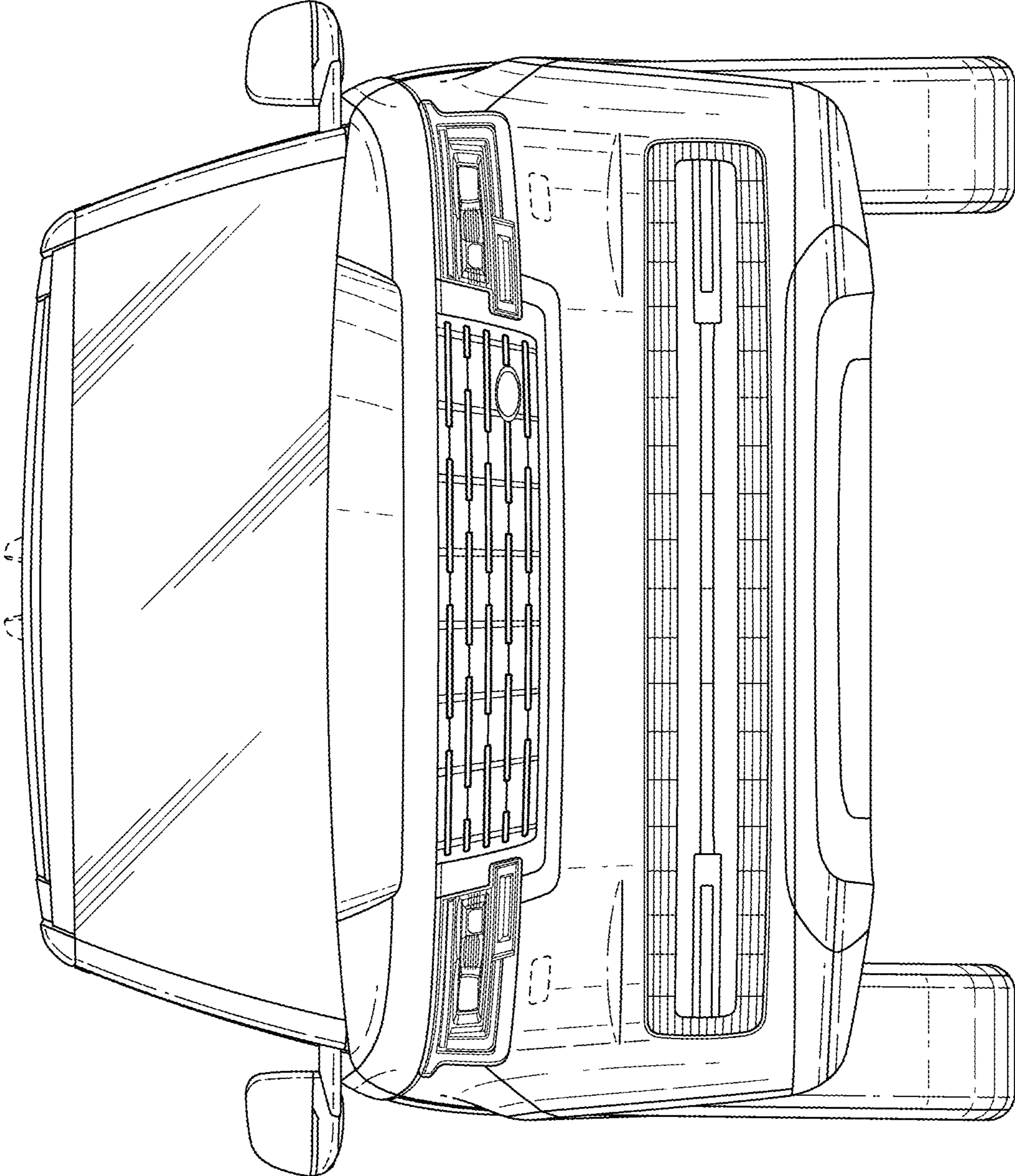


FIG. 10

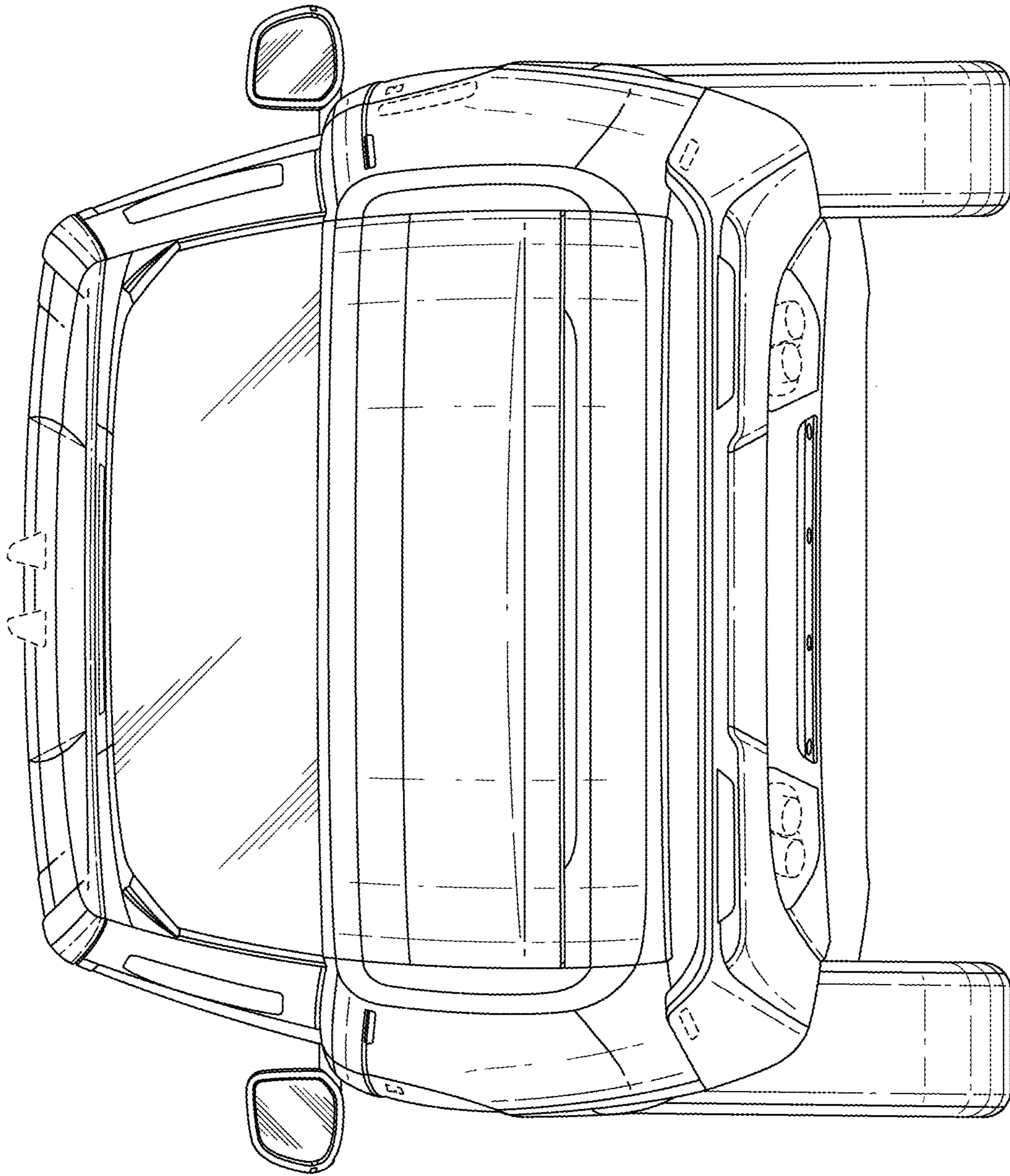


FIG. 11

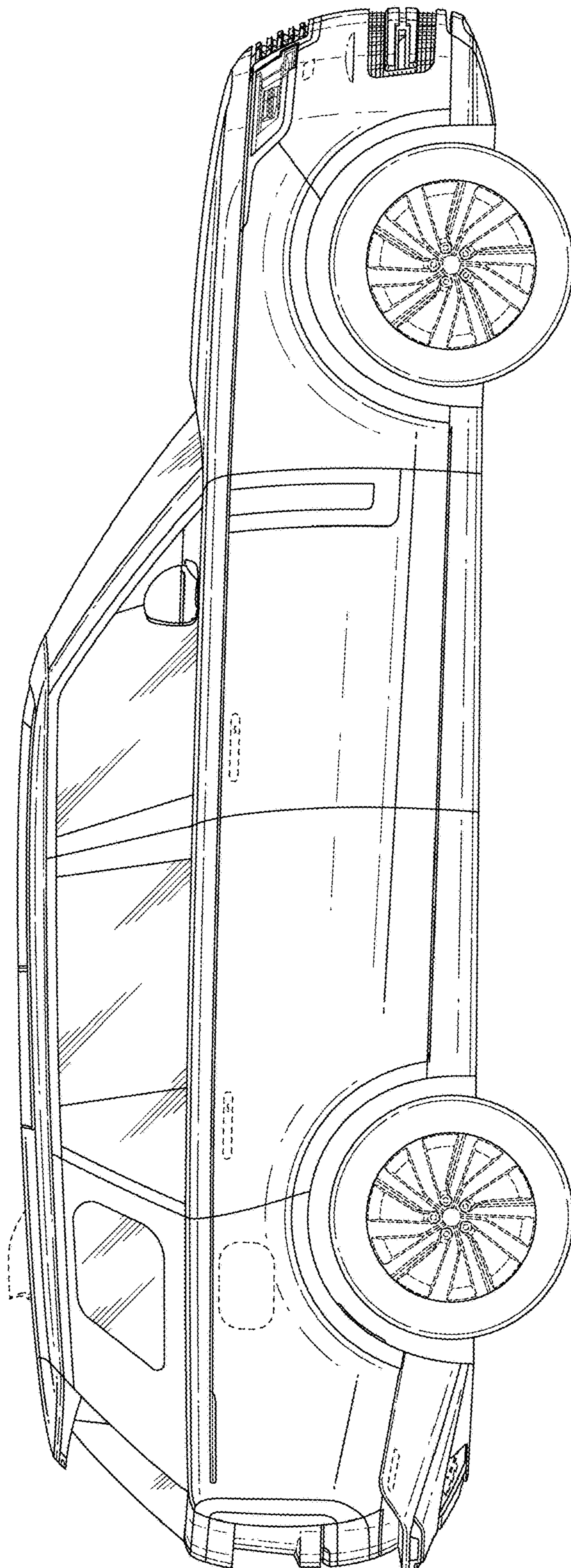


FIG. 12

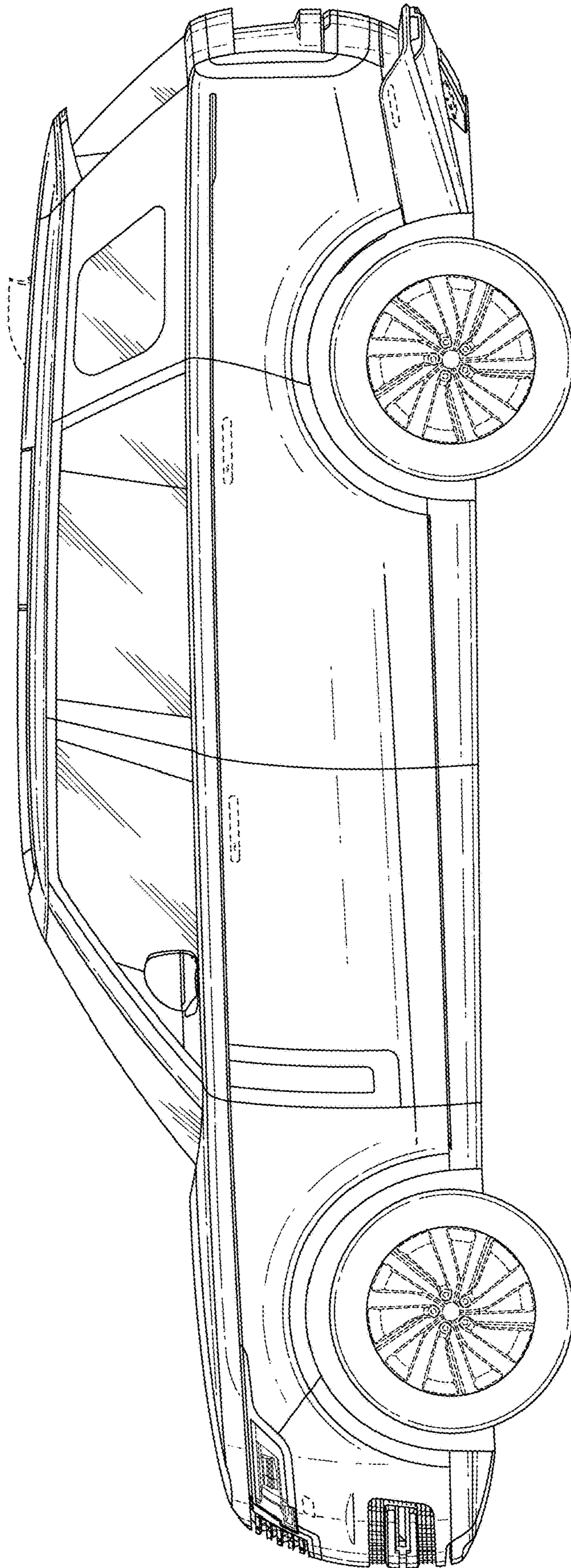


FIG. 13

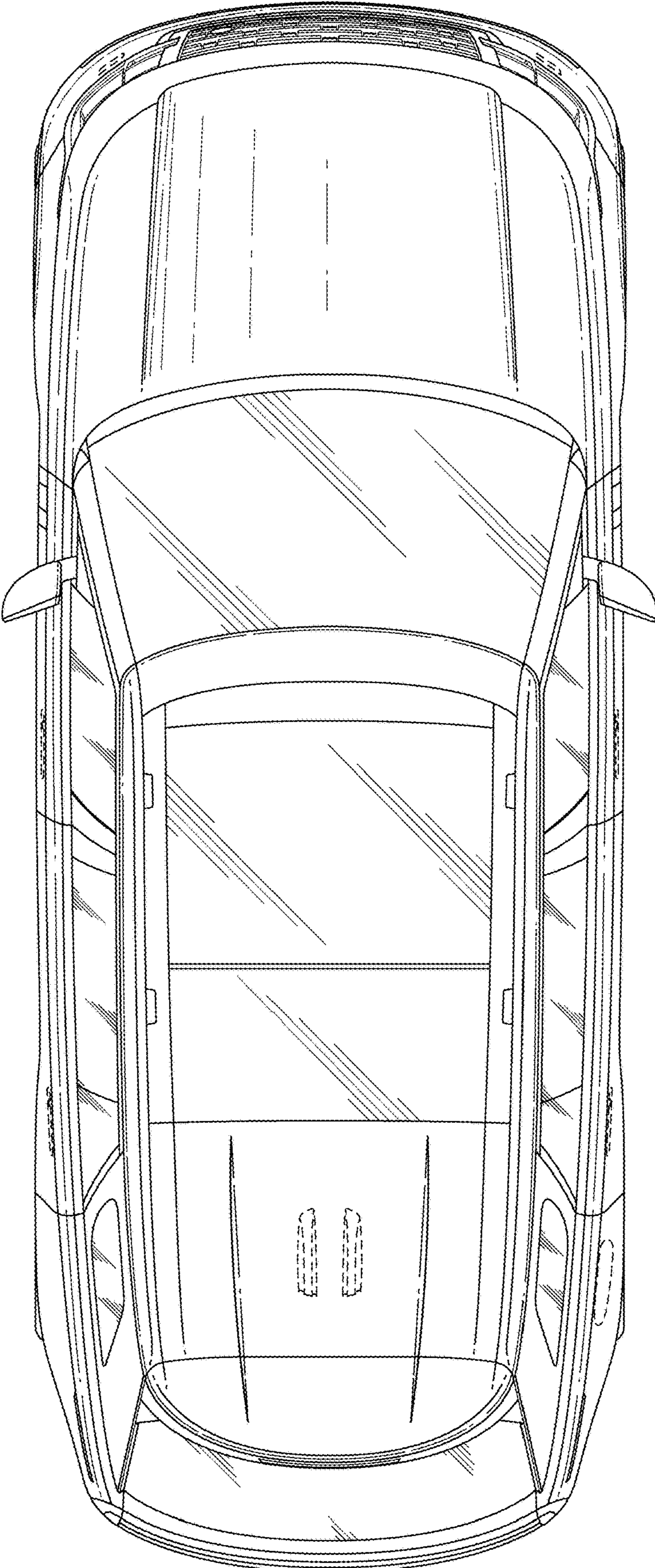


FIG. 14