



US00D988928S

(12) **United States Design Patent**  
**Lian et al.**

(10) **Patent No.:** **US D988,928 S**

(45) **Date of Patent:** **\*\* Jun. 13, 2023**

(54) **CAR BODY**

(71) Applicant: **BYD COMPANY LIMITED**,  
Guangdong (CN)

(72) Inventors: **Yubo Lian**, Shenzhen (CN); **Wolfgang Josef Egger**, Shenzhen (CN); **Juan Manuel Lopez Abad**, Shenzhen (CN); **Changshu Shangguan**, Shenzhen (CN); **Xu Sun**, Shenzhen (CN)

(73) Assignee: **BYD COMPANY LIMITED**,  
Guangdong (CN)

(\*\*) Term: **15 Years**

(21) Appl. No.: **29/756,156**

(22) Filed: **Oct. 26, 2020**

(30) **Foreign Application Priority Data**

Apr. 27, 2020 (CN) ..... 202030181574.X

(51) **LOC (14) Cl.** ..... **12-08**

(52) **U.S. Cl.**  
USPC ..... **D12/91**

(58) **Field of Classification Search**  
USPC ..... D12/86, 90-92, 88, 164; D21/424, 433,  
D21/434, 533; 296/181.1-181.5, 183.1  
CPC ..... B62D 25/00; B62D 25/06; B62D 33/00;  
B62D 35/00  
See application file for complete search history.

(56) **References Cited**

U.S. PATENT DOCUMENTS

D680,906 S \* 4/2013 Sugimoto ..... D12/91  
D689,795 S \* 9/2013 Takei ..... D12/91

D697,834 S \* 1/2014 Okue ..... D12/91  
D715,195 S \* 10/2014 Tomatsu ..... D12/92  
D733,613 S \* 7/2015 Tomatsu ..... D12/91  
D779,378 S \* 2/2017 Kim ..... D12/91  
D804,357 S \* 12/2017 Jeon ..... D12/91  
D815,987 S \* 4/2018 Lian ..... D12/91  
D819,494 S \* 6/2018 Zhou ..... D12/91  
D829,608 S \* 10/2018 Lian ..... D12/91  
D942,898 S \* 2/2022 Bucher ..... D12/91  
D942,899 S \* 2/2022 Bucher ..... D12/91  
D957,991 S \* 7/2022 Eum ..... D12/91

\* cited by examiner

*Primary Examiner* — Melody N Brown

(74) *Attorney, Agent, or Firm* — Calfee Halter & Griswold LLP

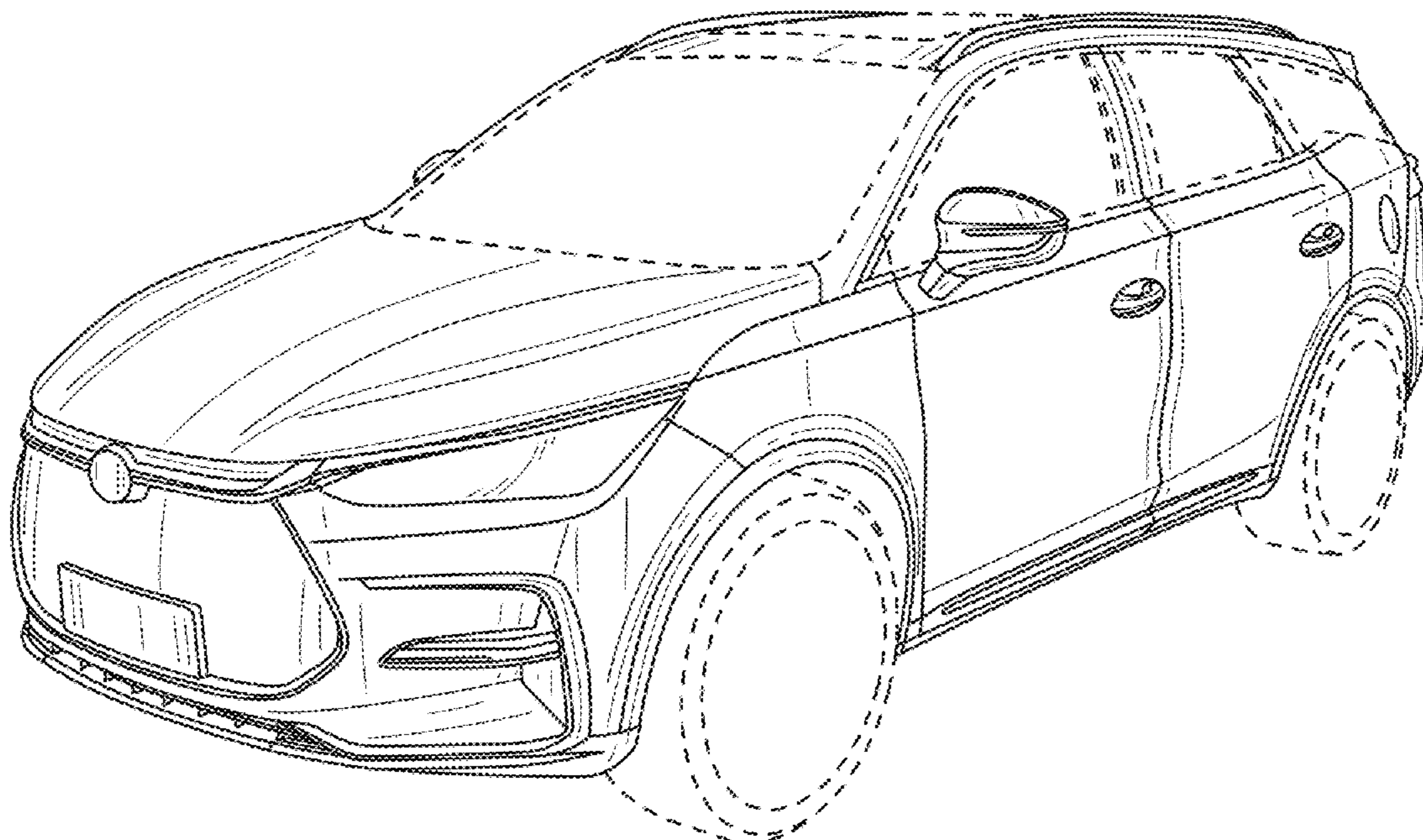
(57) **CLAIM**

We claim the ornamental design for a car body, as shown and described.

**DESCRIPTION**

FIG. 1 is a front elevational view of a car body showing our new design;  
FIG. 2 is a rear elevational view thereof;  
FIG. 3 is a left side elevational view thereof;  
FIG. 4 is a right side elevational view thereof;  
FIG. 5 is a top plan view thereof;  
FIG. 6 is a right, front perspective view thereof; and,  
FIG. 7 is a right, rear perspective view thereof.  
The bottom view forms no part of the claimed design.  
The portions of the vehicle shown in broken lines throughout the drawing views are for environmental and illustrative purposes that form no part of the claimed design.

**1 Claim, 3 Drawing Sheets**



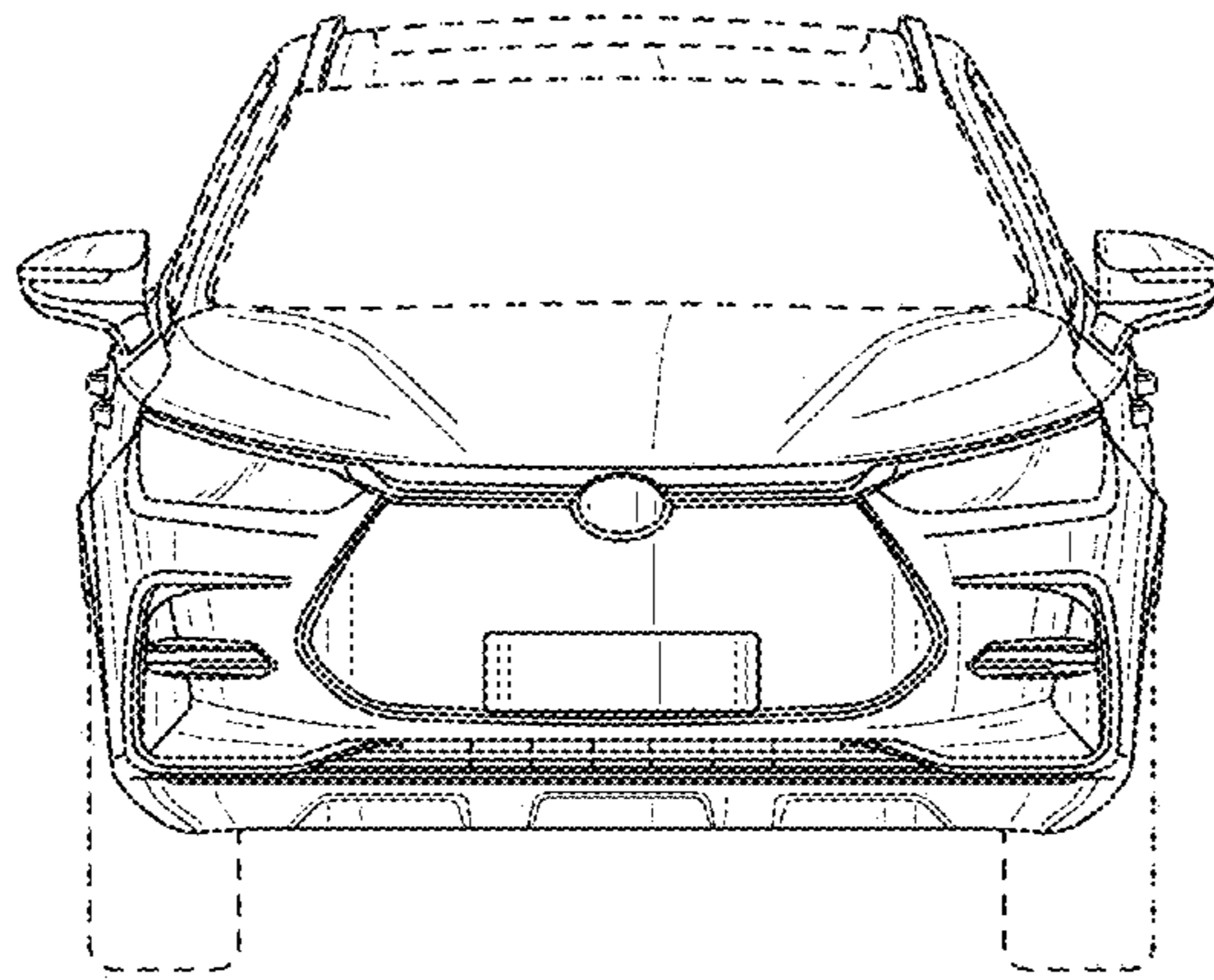


FIG. 1

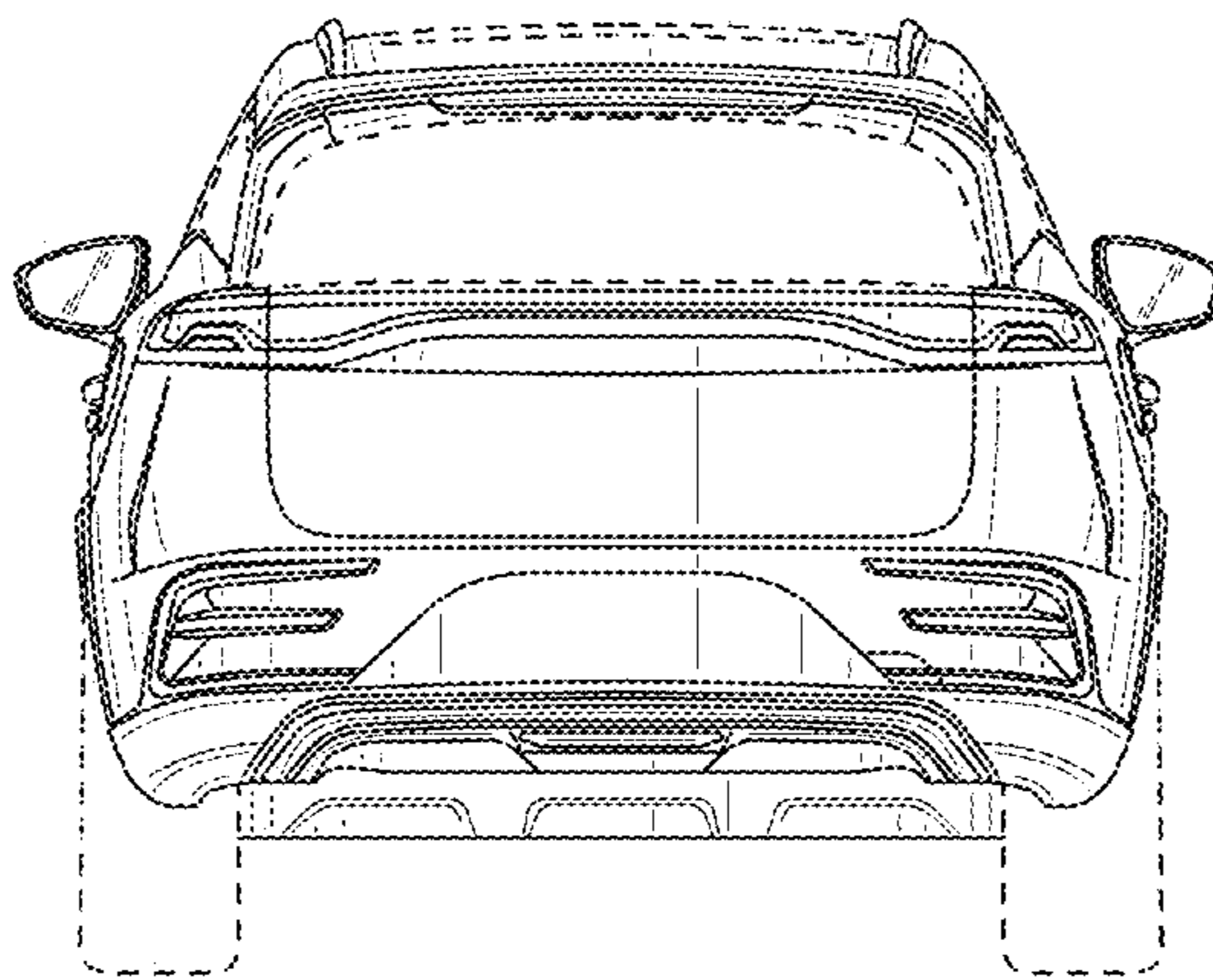


FIG. 2

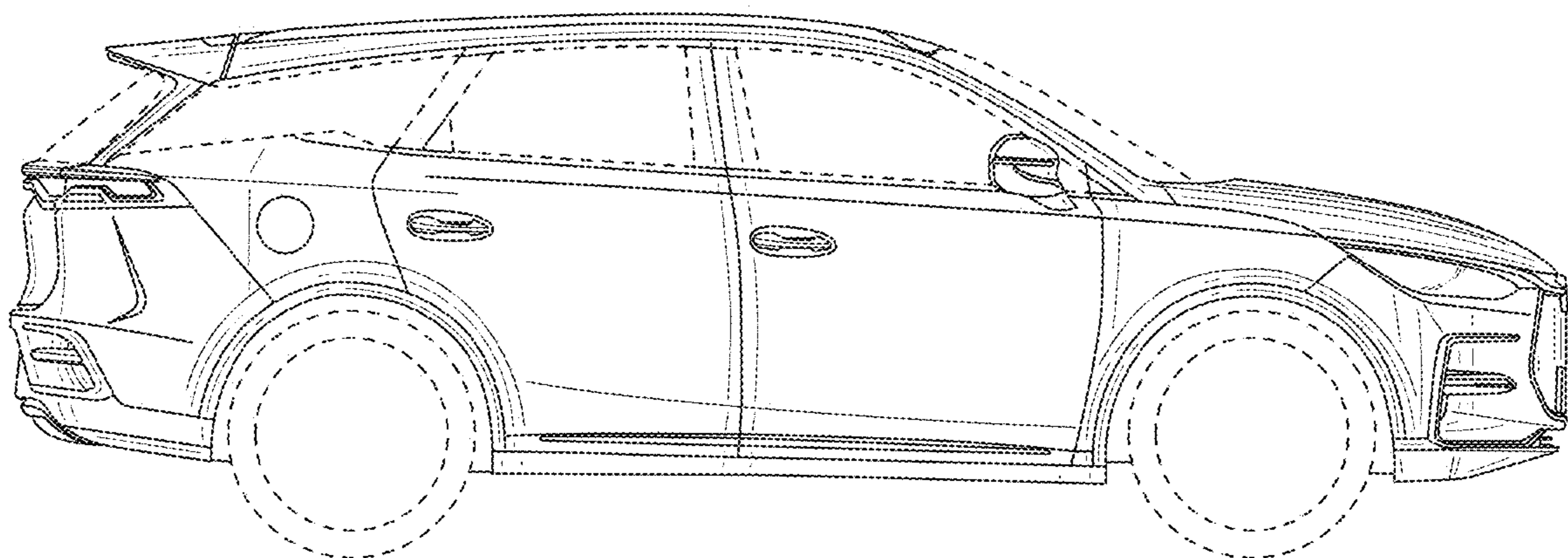


FIG. 3

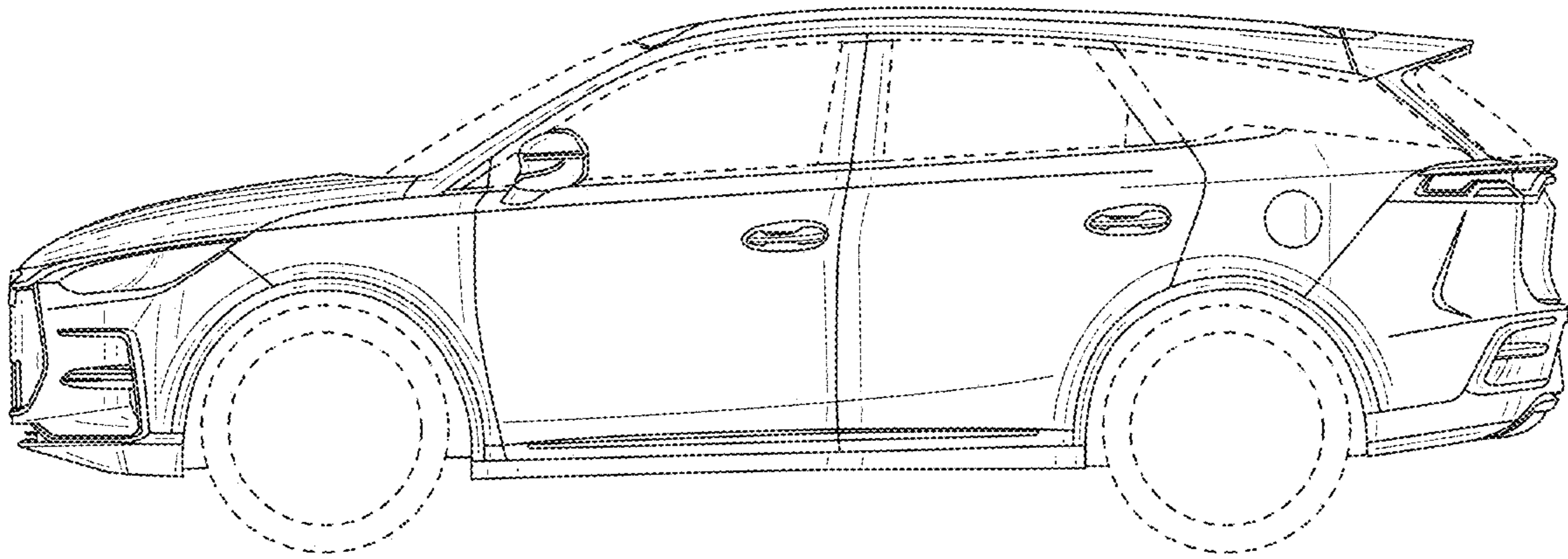


FIG. 4

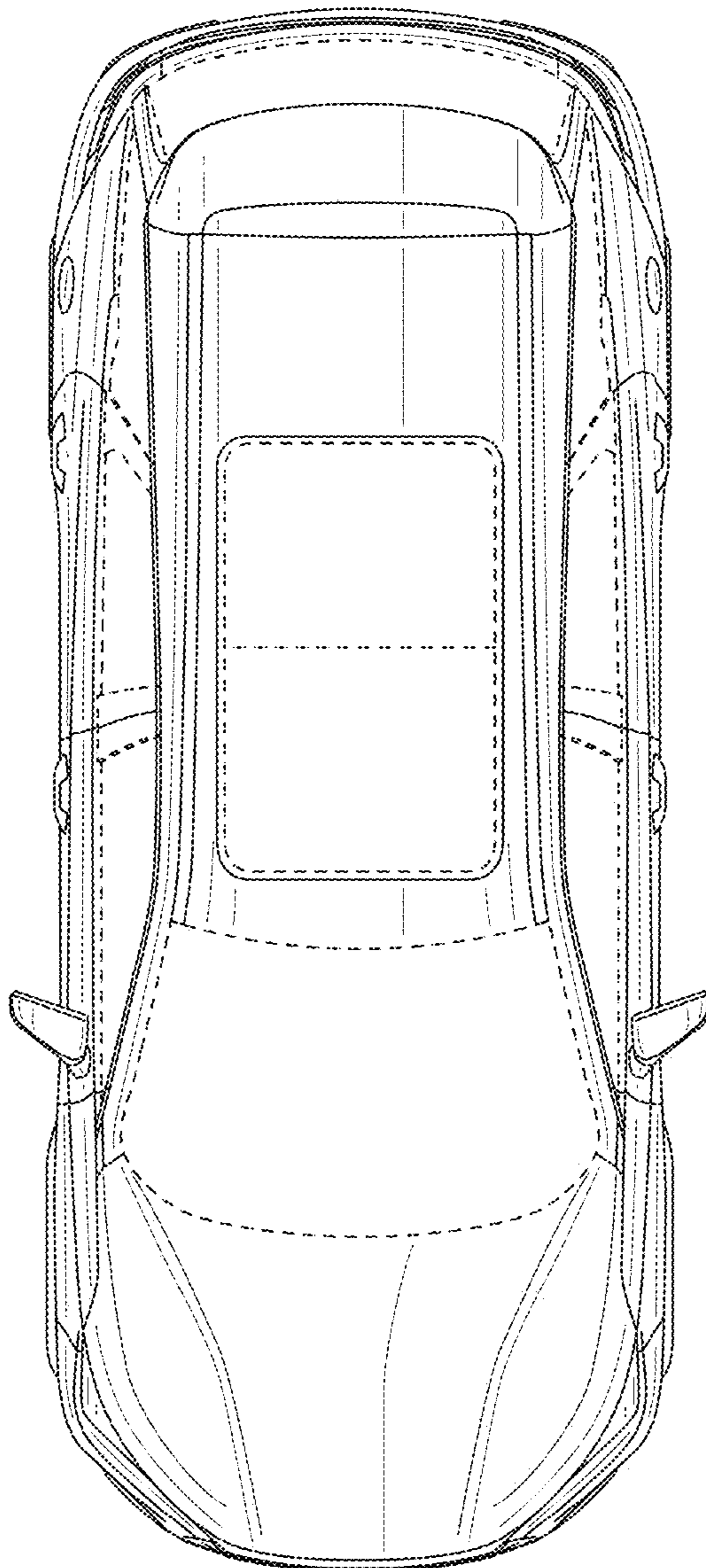


FIG. 5

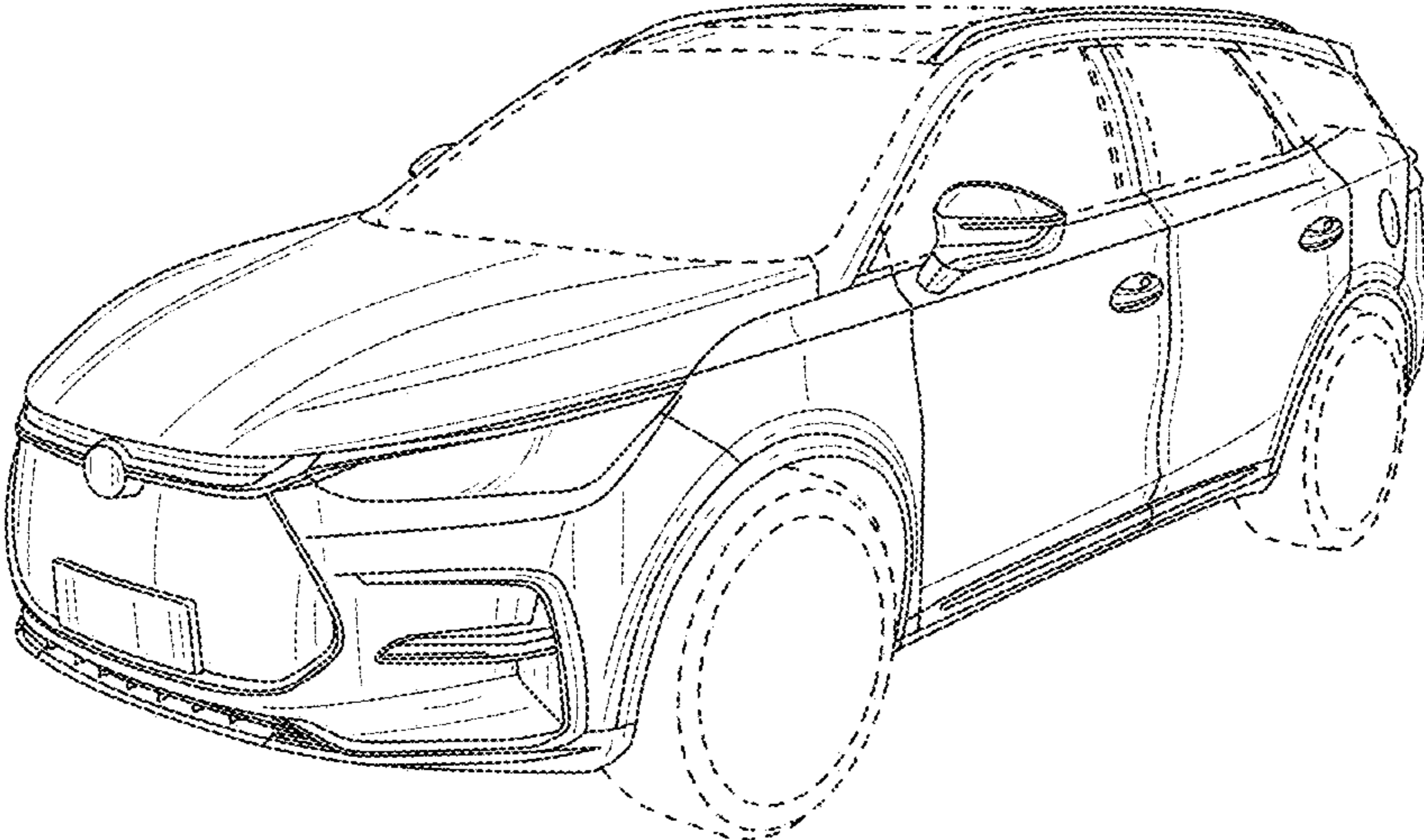


FIG. 6

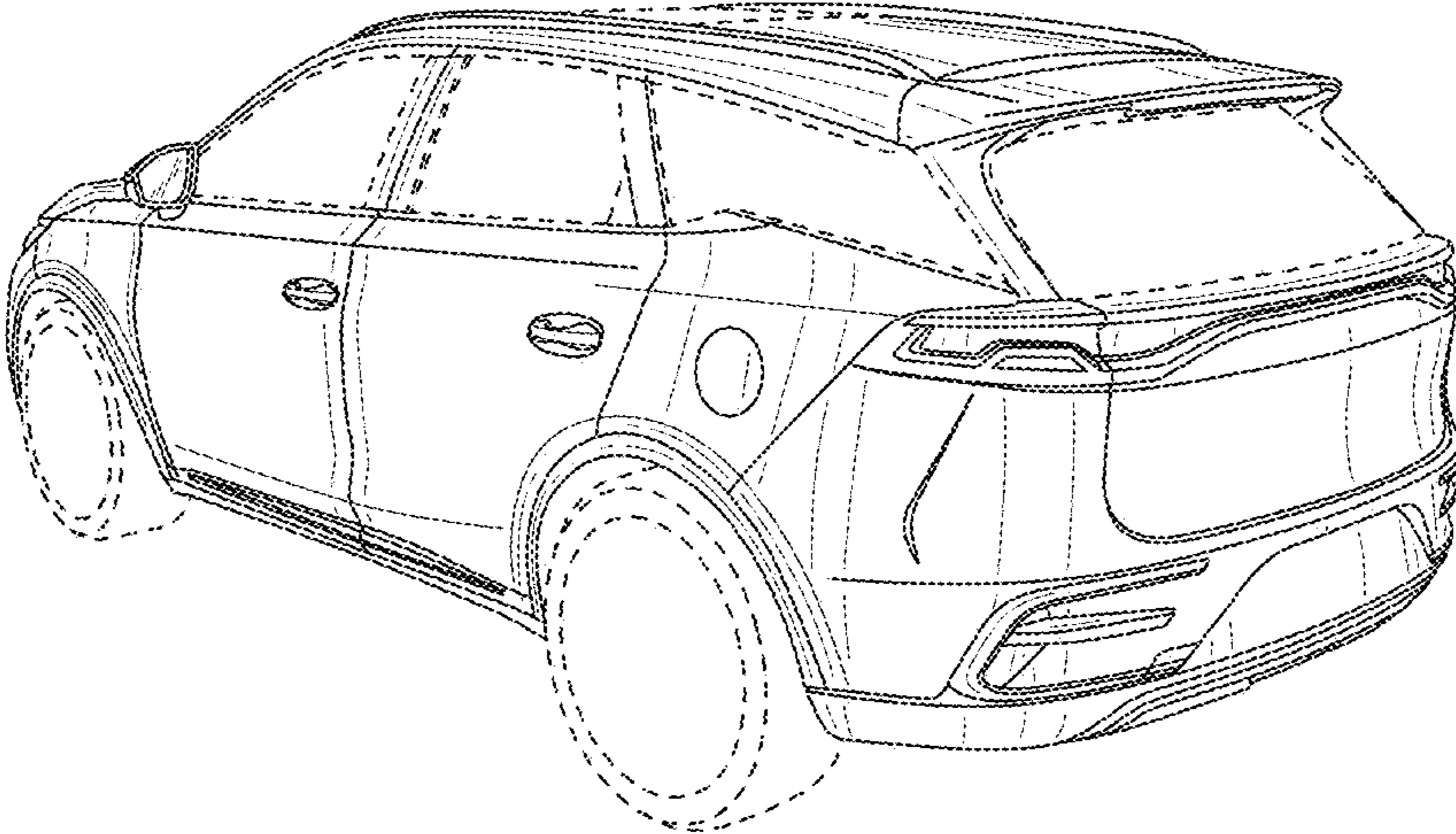


FIG. 7