



US00D988927S

(12) **United States Design Patent**
Huang

(10) **Patent No.:** **US D988,927 S**
(45) **Date of Patent:** **** Jun. 13, 2023**

- (54) **REMOTE-CONTROLLED DRONE**
- (71) Applicant: **Mingfeng Huang**, Shantou (CN)
- (72) Inventor: **Mingfeng Huang**, Shantou (CN)
- (73) Assignee: **Mingfeng Huang**, Shantou (CN)

D875,023 S * 2/2020 Lee D12/328
 D913,194 S * 3/2021 Duffy D12/328
 D929,303 S * 8/2021 deGraaff D12/328
 11,148,802 B1 * 10/2021 Sun B66D 1/60
 D938,860 S * 12/2021 Bao D12/16.1
 11,192,648 B1 * 12/2021 Bayoumi H02S 40/10
 D955,921 S 6/2022 Venter

(Continued)

(*) Notice: Patent file contains an affidavit/declaration under 37 CFR 1.130(b).

(**) Term: **15 Years**

(21) Appl. No.: **29/854,967**

(22) Filed: **Sep. 29, 2022**

(51) **LOC (14) Cl.** **12-06**

(52) **U.S. Cl.**
USPC **D12/16.1**

(58) **Field of Classification Search**
USPC D12/1-2, 14-15, 16, 16.1, 319, 326-330,
D12/333-334, 86-89, 90-92;
D21/424-425, 433-434, 436, 438,
D21/441-444, 447, 450-451, 533-534,
D21/548-551, 561-562

CPC B64C 39/024; B64C 39/028; B64C 39/02;
B64C 39/029; B64U 2101/05; B64U
2101/00; B64U 2101/30; B64U 2101/31;
B64U 2101/32; B64U 2101/35; B64U
2101/40; B64U 20/70; B64U 20/73;
B64U 20/75; B64U 20/77; B64U 20/00;
B64U 30/00; B64U 30/10; B64U 30/30

See application file for complete search history.

(56) **References Cited**

U.S. PATENT DOCUMENTS

D648,809 S * 11/2011 Seydoux D21/441
 D708,272 S * 7/2014 Schmelter D12/330
 D768,540 S * 10/2016 Ji D12/16.1
 D776,569 S * 1/2017 Baruchin D21/441
 D779,595 S * 2/2017 Xiao D21/441
 D816,581 S * 5/2018 Zhao D12/328
 D867,470 S * 11/2019 Haley D12/328

FOREIGN PATENT DOCUMENTS

CN 115720649 A * 2/2023
 CN 115768688 A * 3/2023
 JP 7217894 B2 * 2/2023

OTHER PUBLICATIONS

Yao, Fujun, CN Design No. 304449608, published at Orbit, publication date Jan. 9, 2018. Site visited Jan. 15, 2023. Available from Internet. (Year: 2018).*

(Continued)

Primary Examiner — Kathleen L Jones
(74) *Attorney, Agent, or Firm* — Nitin Kaushik

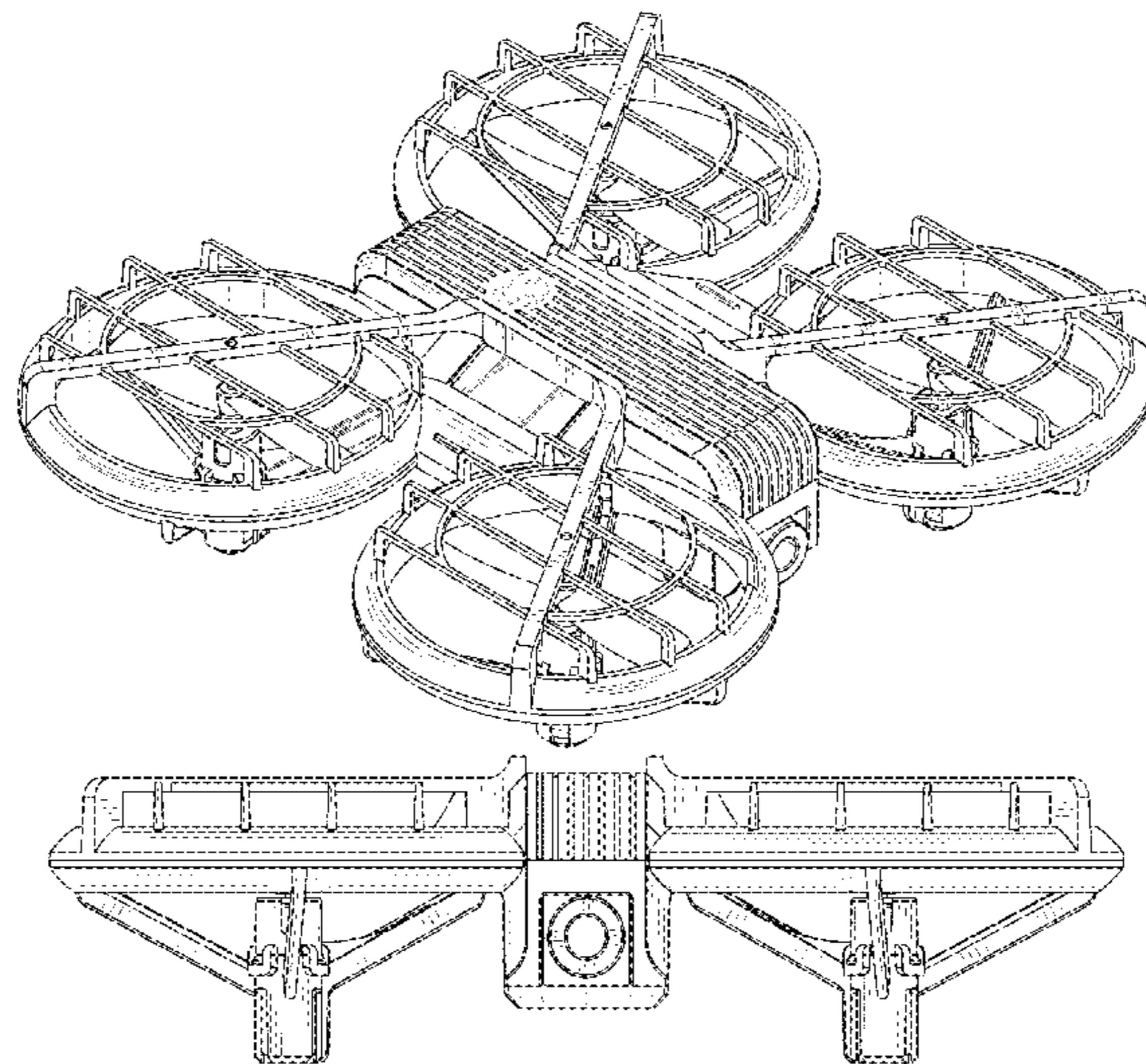
(57) **CLAIM**

The ornamental design for a remote-controlled drone, as shown and described.

DESCRIPTION

FIG. 1 is a top perspective view of a remote-controlled drone, showing my new design;
 FIG. 2 is a front view thereof;
 FIG. 3 is a rear view thereof;
 FIG. 4 is a left side view thereof;
 FIG. 5 is a right side view thereof;
 FIG. 6 is a top view thereof; and,
 FIG. 7 is a bottom view thereof.
 The broken lines in the drawings illustrate the portions of the remote-controlled drone, which form no part of the claimed design.

1 Claim, 7 Drawing Sheets



(56)

References Cited

U.S. PATENT DOCUMENTS

D971,341 S * 11/2022 Smitasin D21/436
11,572,160 B1 * 2/2023 Nielsen B64U 30/299
11,572,167 B2 * 2/2023 Volpi B25J 11/00
11,572,169 B2 * 2/2023 Schmalzried B64C 39/024
D981,908 S * 3/2023 Wu D21/443
2016/0221671 A1 * 8/2016 Fisher B64C 39/024
2018/0155016 A1 * 6/2018 Tian B64D 47/08
2019/0106204 A1 * 4/2019 Konishi B64C 39/024
2019/0332998 A1 * 10/2019 Ruxton G05D 1/0044
2019/0375504 A1 * 12/2019 Schmalzried B64U 70/00
2020/0259378 A1 * 8/2020 Ueda B25J 9/126
2021/0147074 A1 * 5/2021 Crowley B64C 39/022

OTHER PUBLICATIONS

Hasakee, Mini Drone for Kids with LED Lights, posted at Amazon, posting date Jul. 6, 2022. Site visited Jan. 14, 2023. URL: <<https://www.amazon.com/dp/B0B5XNDX76/>> (Year: 2022).*

Deerc Mini Drone for Kids, posted at Amazon, posting date Dec. 23, 2021. Site visited Jan. 14, 2023. URL: <<https://www.amazon.com/DEERC-Beginners-Quadcopter-Altitude-Batteries/dp/B09P2R2ZMV/>> (Year: 2021).*

Hasakee, RC Drone with Altitude Hold, posted at Amazon, posting date Jun. 15, 2019. Site visited Jan. 28, 2023. URL: <<https://www.amazon.com/dp/B07T2P9ZGH?>> (Year: 2019).*

* cited by examiner

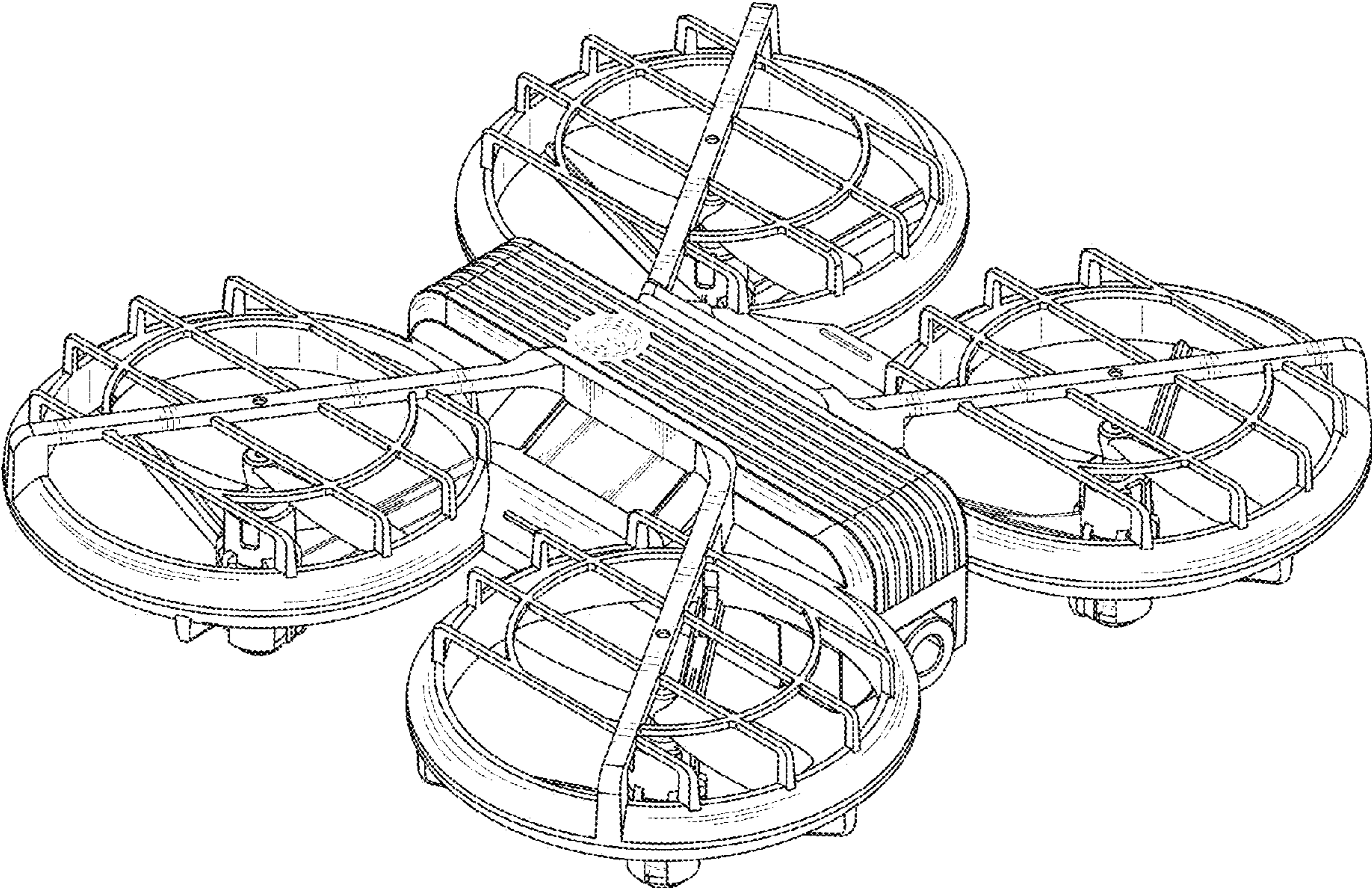


FIG. 1

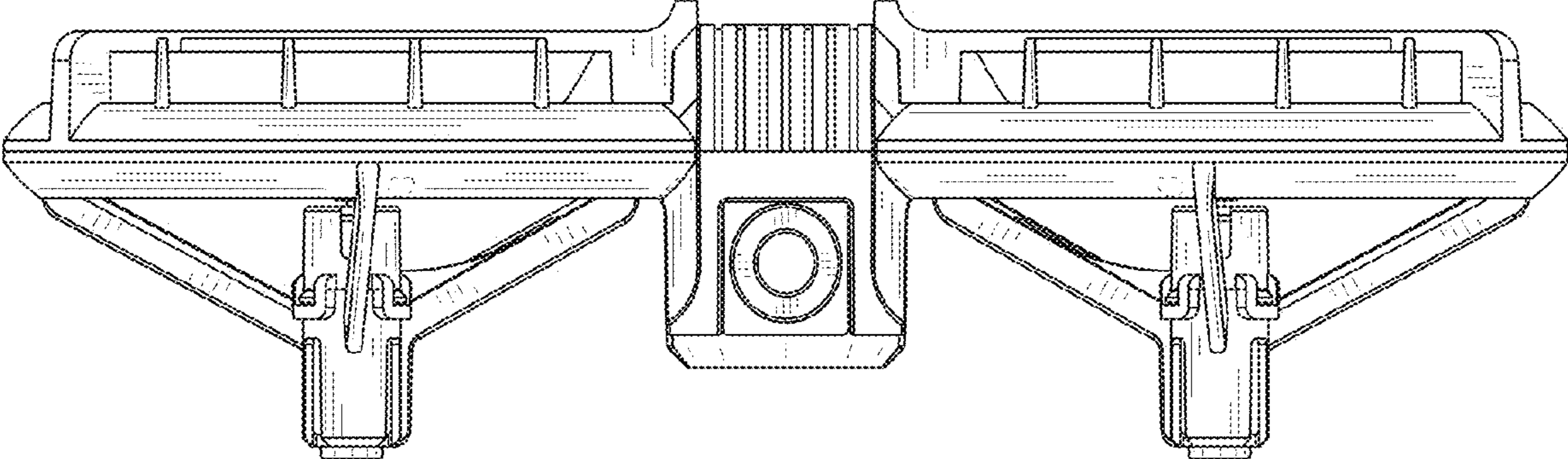


FIG. 2

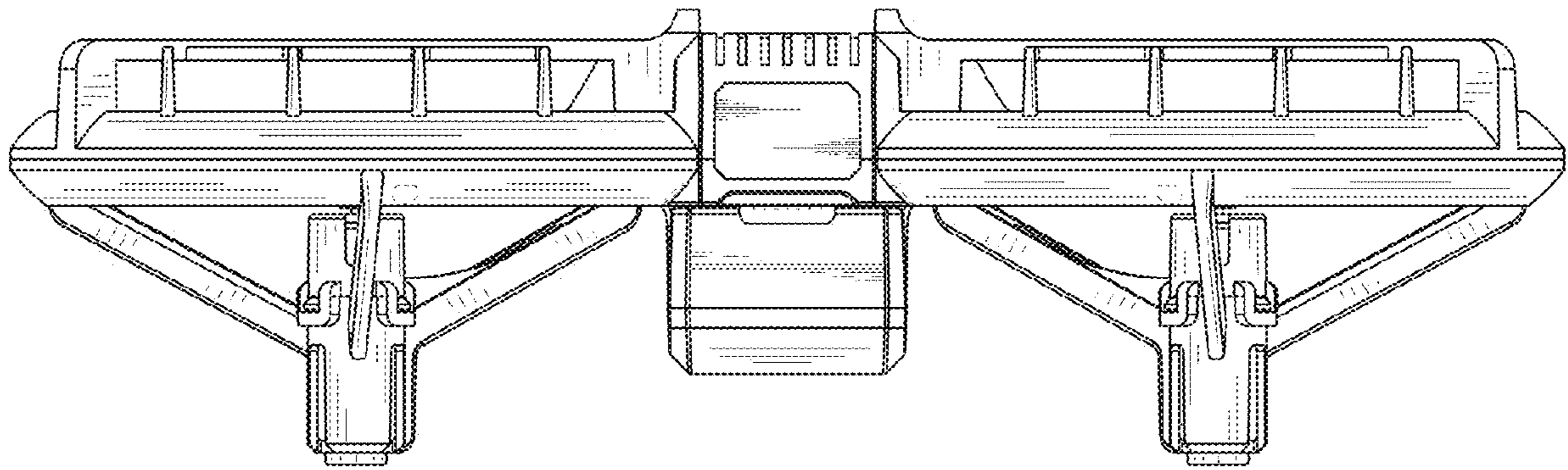


FIG. 3

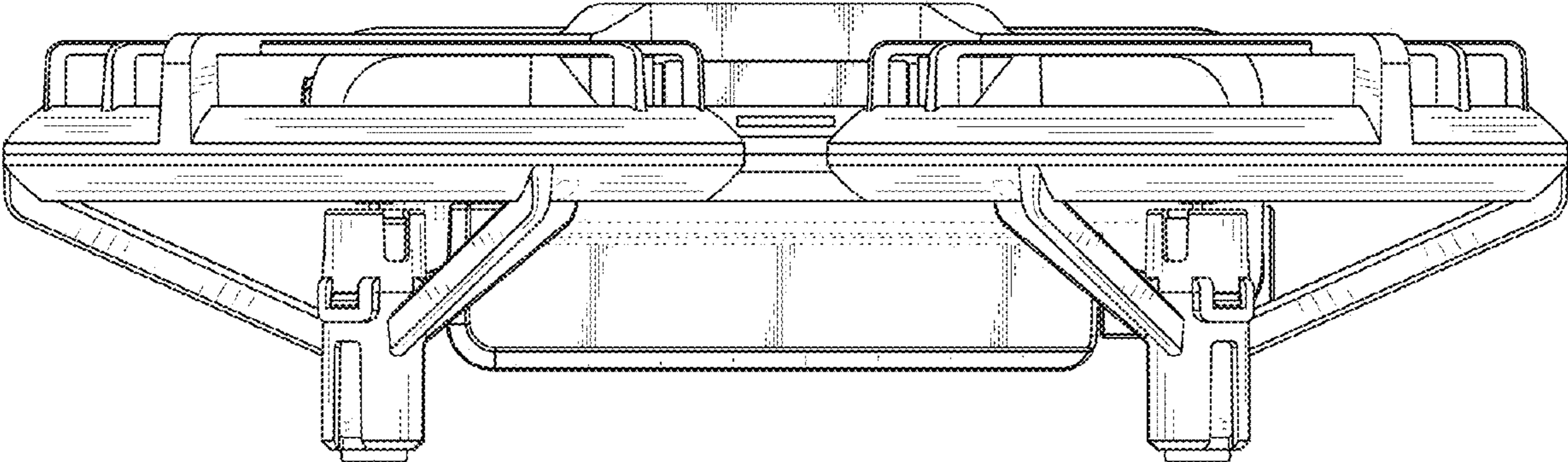


FIG. 4

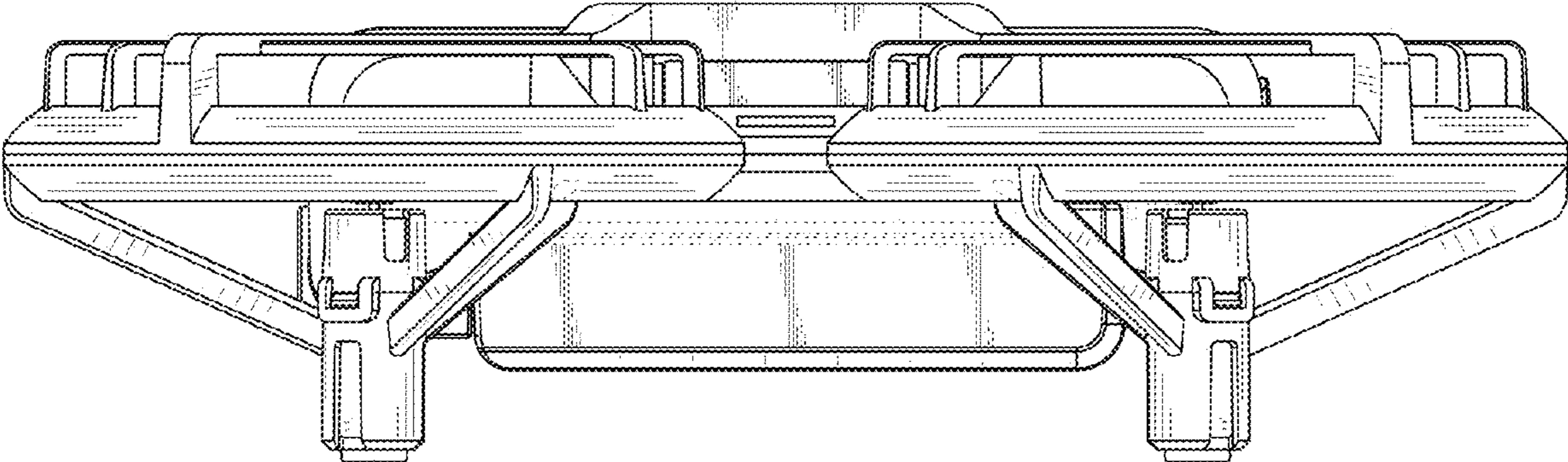


FIG. 5

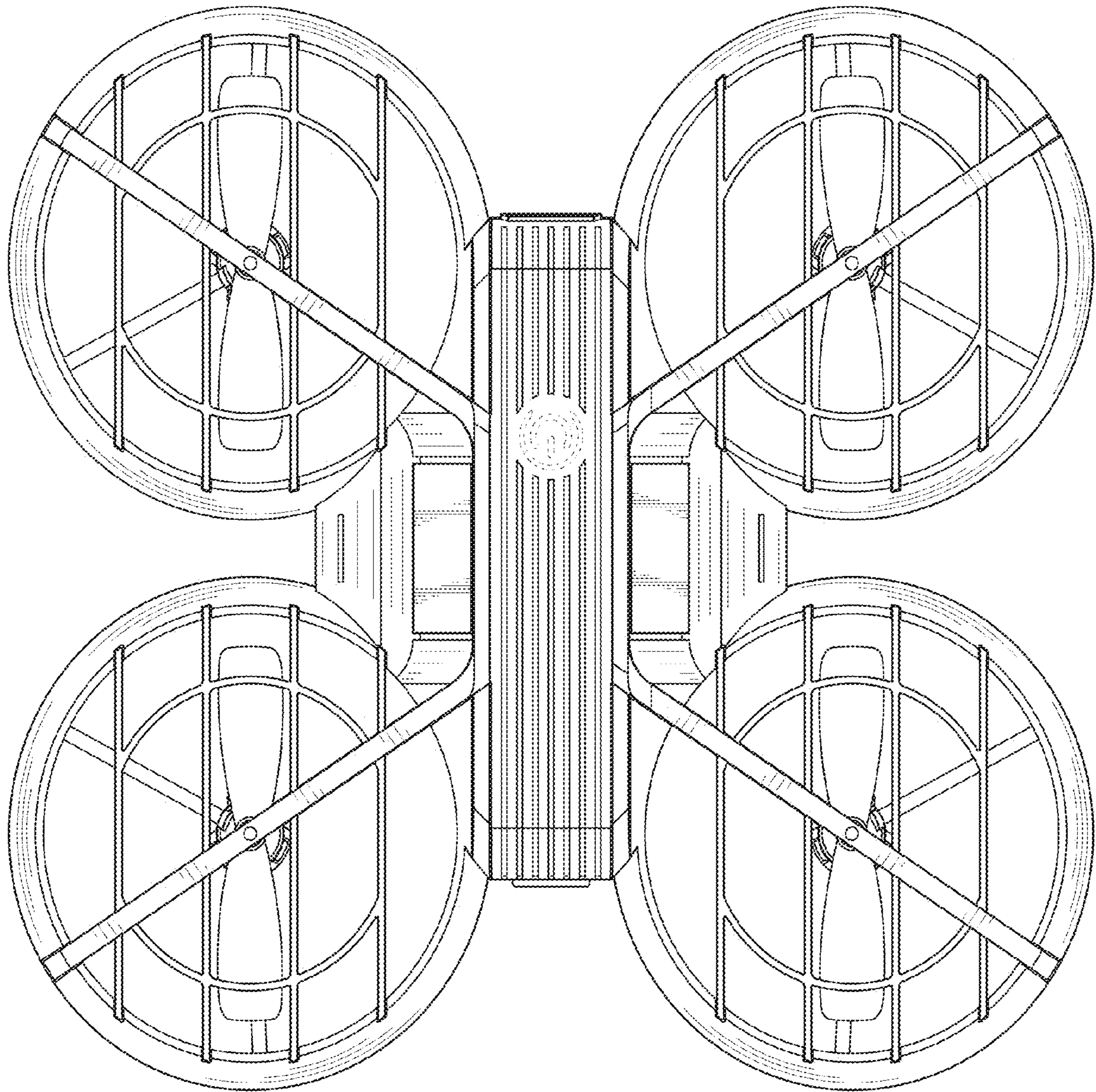


FIG. 6

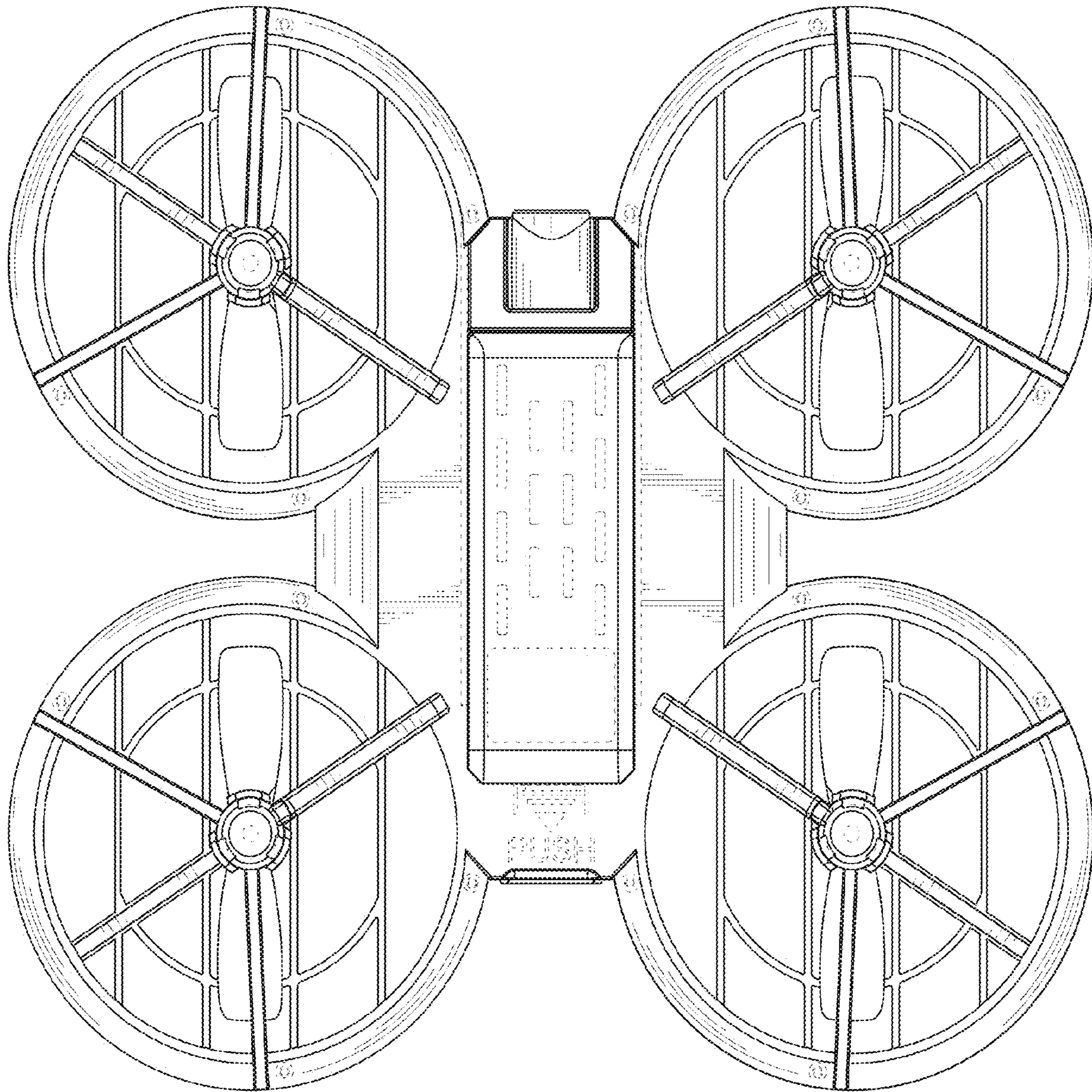


FIG. 7