



US00D988926S

(12) **United States Design Patent**
Prager et al.

(10) **Patent No.:** **US D988,926 S**

(45) **Date of Patent:** **** Jun. 13, 2023**

- (54) **UNMANNED AERIAL VEHICLE**
- (71) Applicant: **Wing Aviation LLC**, Mountain View, CA (US)
- (72) Inventors: **André Prager**, Sunnyvale, CA (US); **Giulia Pantalone**, Redwood City, CA (US); **Evan Twyford**, Mountain View, CA (US)
- (73) Assignee: **WING AVIATION LLC**, Mountain View, CA (US)
- (**) Term: **15 Years**
- (21) Appl. No.: **29/766,325**
- (22) Filed: **Jan. 14, 2021**
- (51) **LOC (14) Cl.** **12-07**
- (52) **U.S. Cl.**
USPC **D12/326**
- (58) **Field of Classification Search**
USPC D12/1, 2, 3, 4, 16.1, 174, 319–345;
D21/436–455
CPC B64C 29/0033; B64C 2201/021; B64C 29/02; B64C 2201/088; B64C 2201/104; B64C 2201/141
See application file for complete search history.

- 10,513,341 B2 * 12/2019 Jenkins B64C 29/0025
- D872,681 S * 1/2020 Tzarnotzky D12/329
- 10,604,245 B2 3/2020 Pantalone et al.
- D885,300 S * 5/2020 Merrill D12/326
- D890,074 S * 7/2020 Parvizian D12/333
- D892,710 S * 8/2020 Vander Lind D12/344
- D909,949 S * 2/2021 Williams D12/326
- D945,946 S * 3/2022 Lee D12/326
- D947,748 S * 4/2022 Levy D12/326
- 2022/0185499 A1 * 6/2022 Jones G08G 5/0013

* cited by examiner

Primary Examiner — John A Voytek

(74) *Attorney, Agent, or Firm* — McDonnell Boehnen Hulbert & Berghoff LLP

(57) **CLAIM**

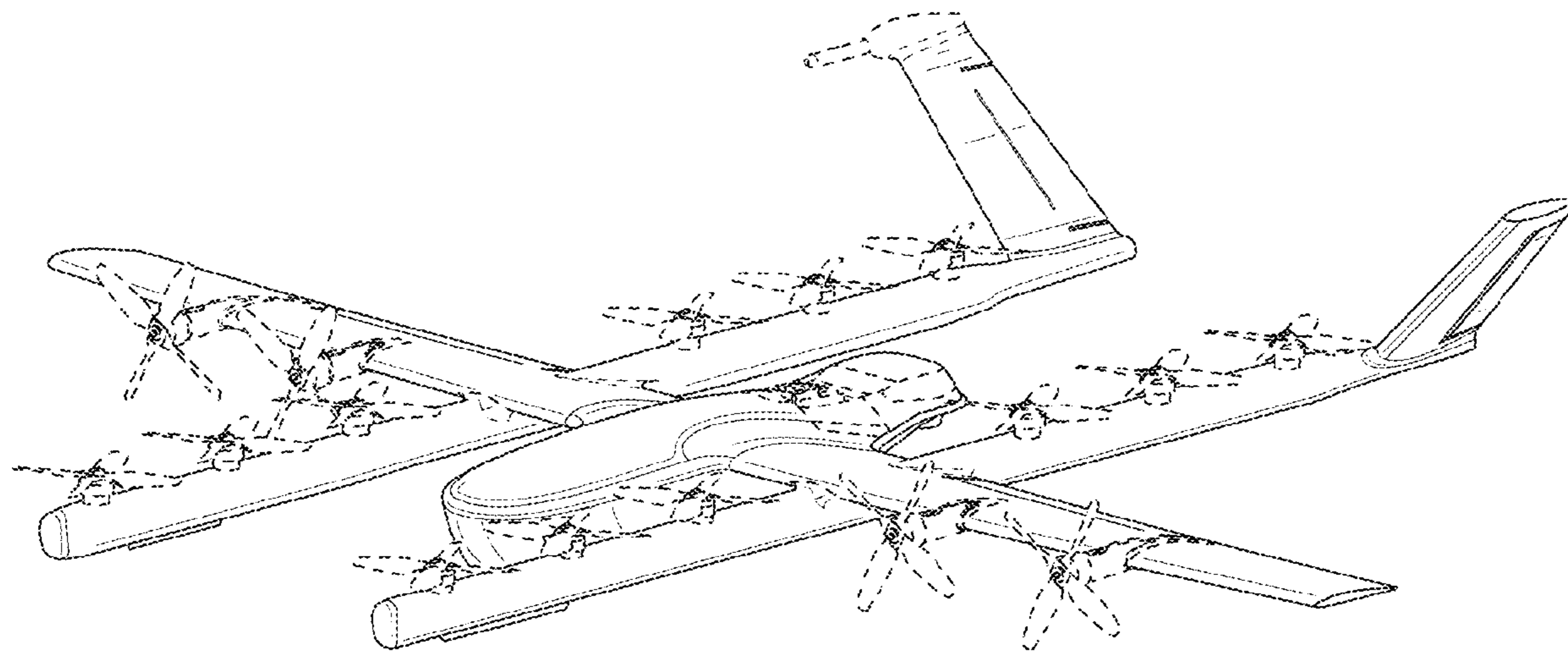
The ornamental design for an unmanned aerial vehicle, as shown and described.

DESCRIPTION

FIG. 1 is a top view of an unmanned aerial vehicle;
 FIG. 2 is a bottom view thereof;
 FIG. 3 is a left side view thereof;
 FIG. 4 is a right side view thereof;
 FIG. 5 is a front view thereof;
 FIG. 6 is a back view thereof;
 FIG. 7 is a front perspective view thereof; and,
 FIG. 8 is a back perspective view thereof.
 The broken lines are included for the purpose of illustrating portions of the unmanned aerial vehicle that form no part of the claimed design.

1 Claim, 6 Drawing Sheets

- (56) **References Cited**
U.S. PATENT DOCUMENTS
D843,889 S * 3/2019 Merrill D12/16.1
D852,092 S * 6/2019 Woodworth D12/16.1



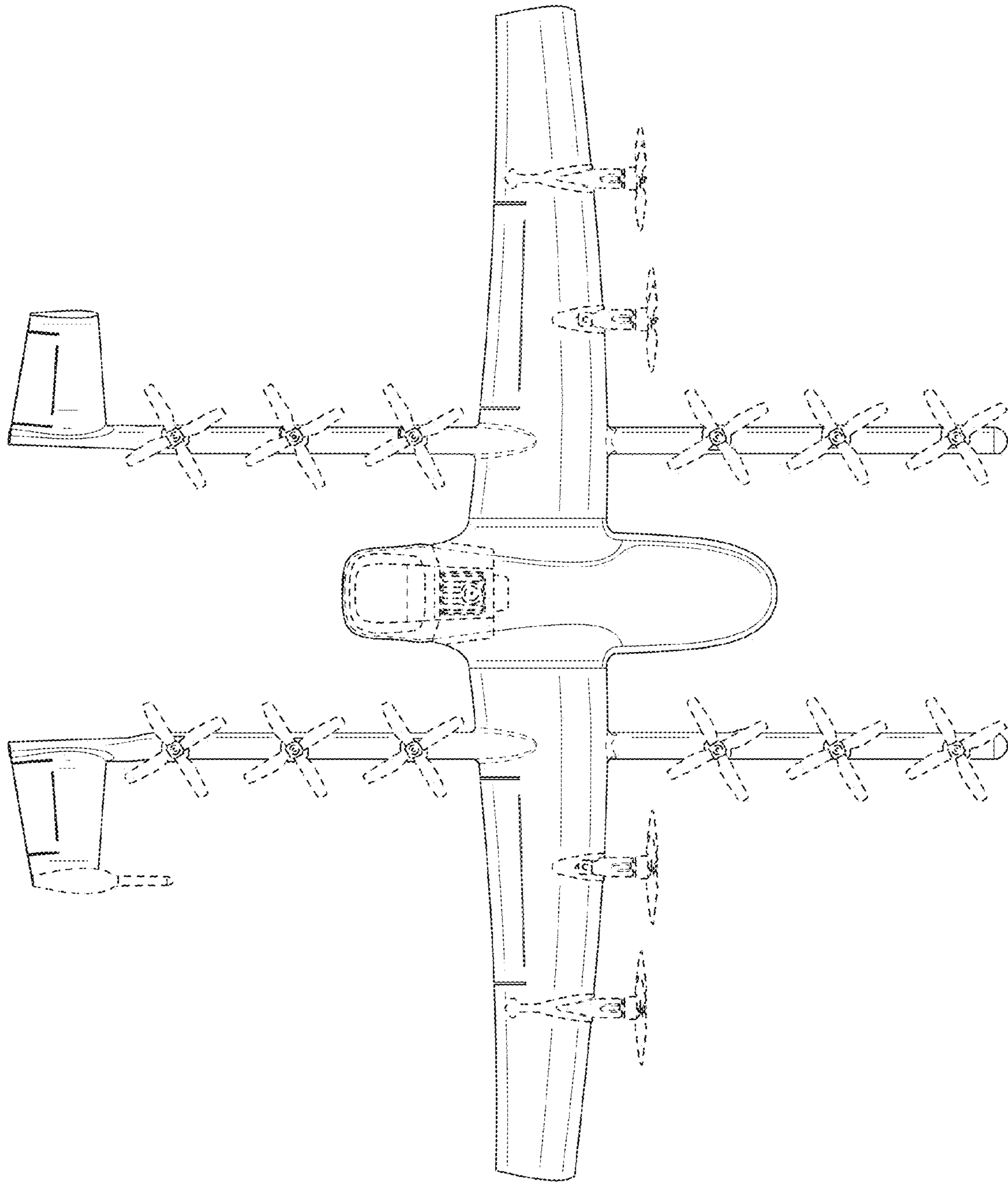


FIG. 1

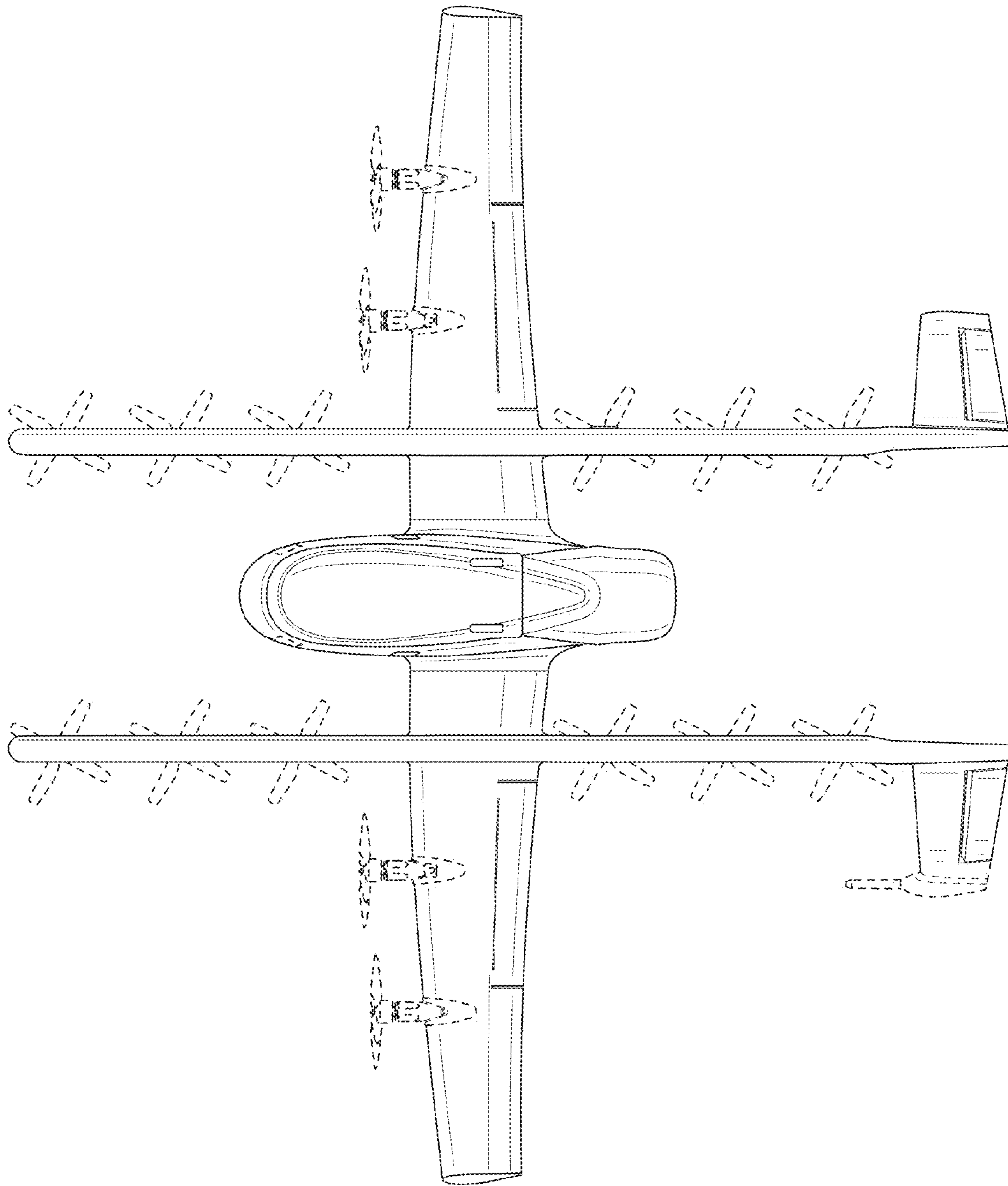


FIG. 2

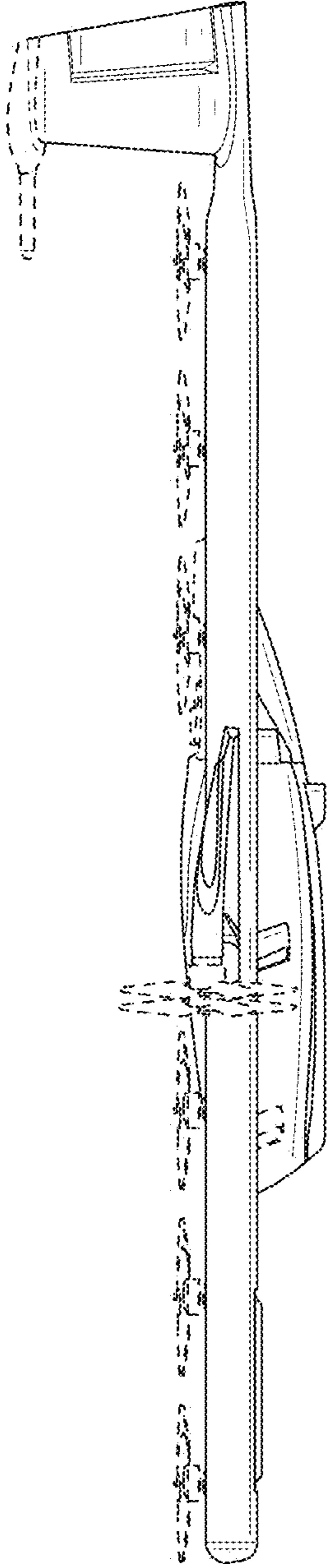


FIG. 3

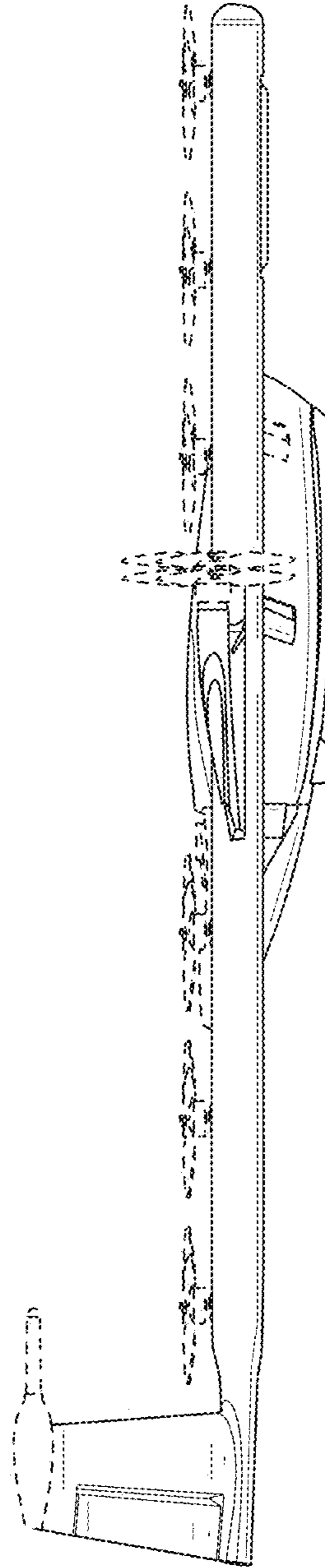


FIG. 4

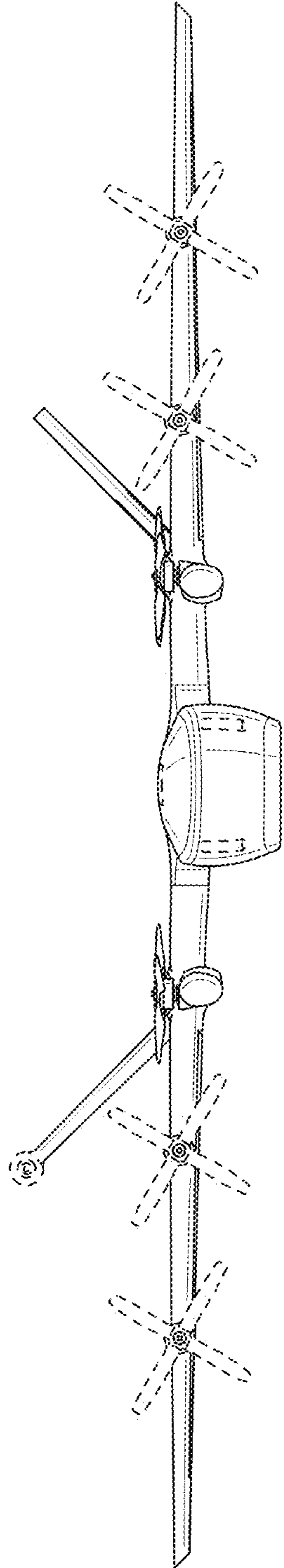


FIG. 5

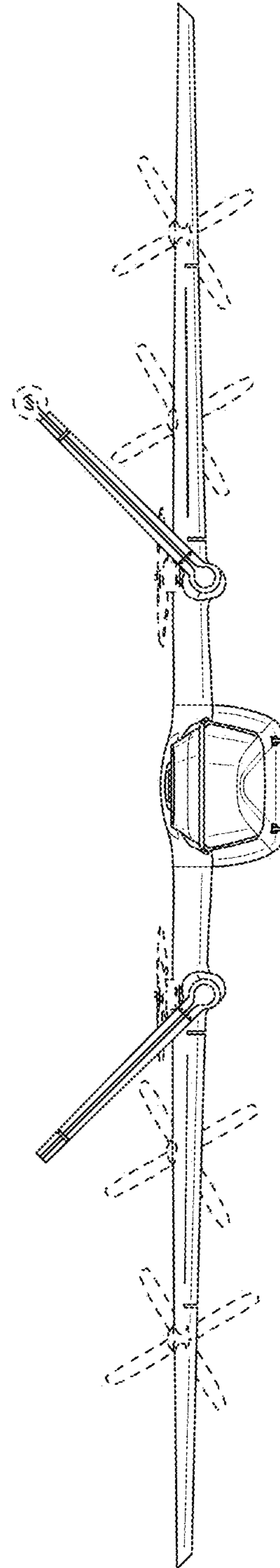


FIG. 6

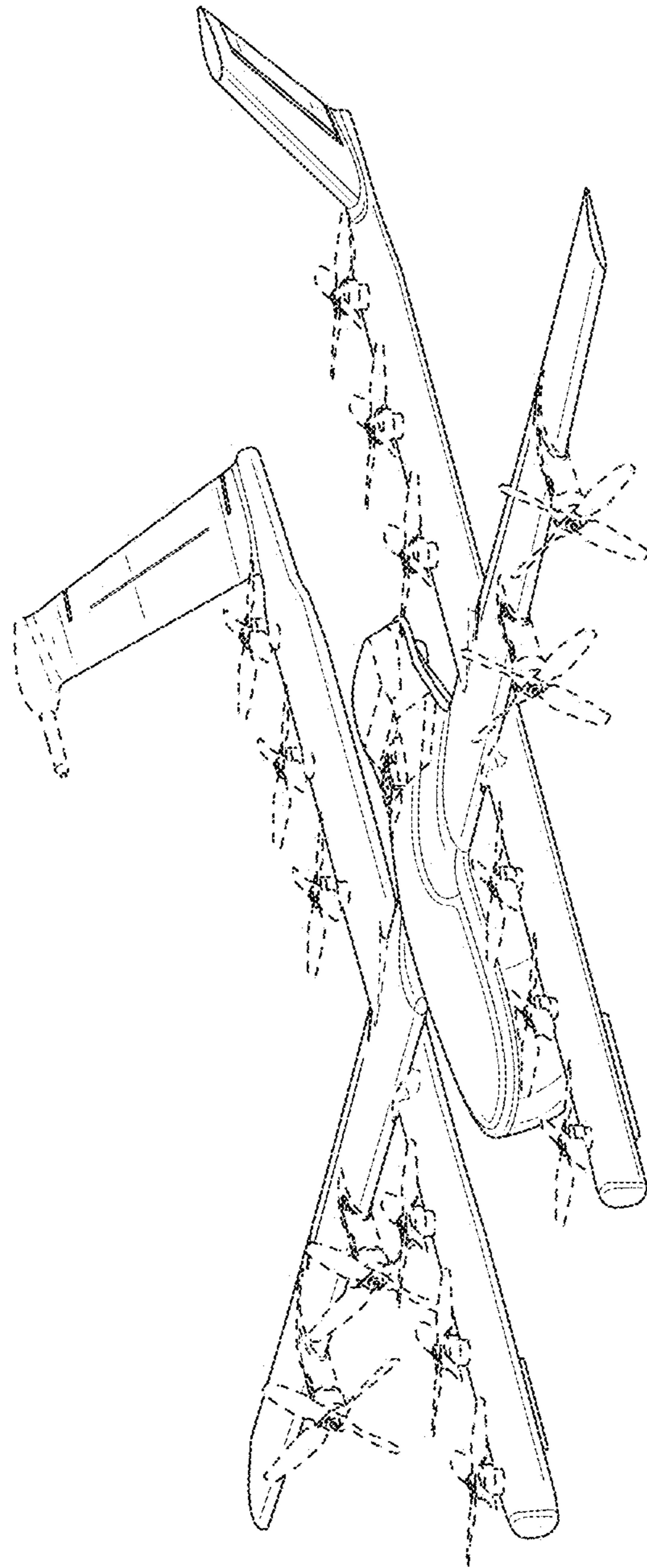


FIG. 7

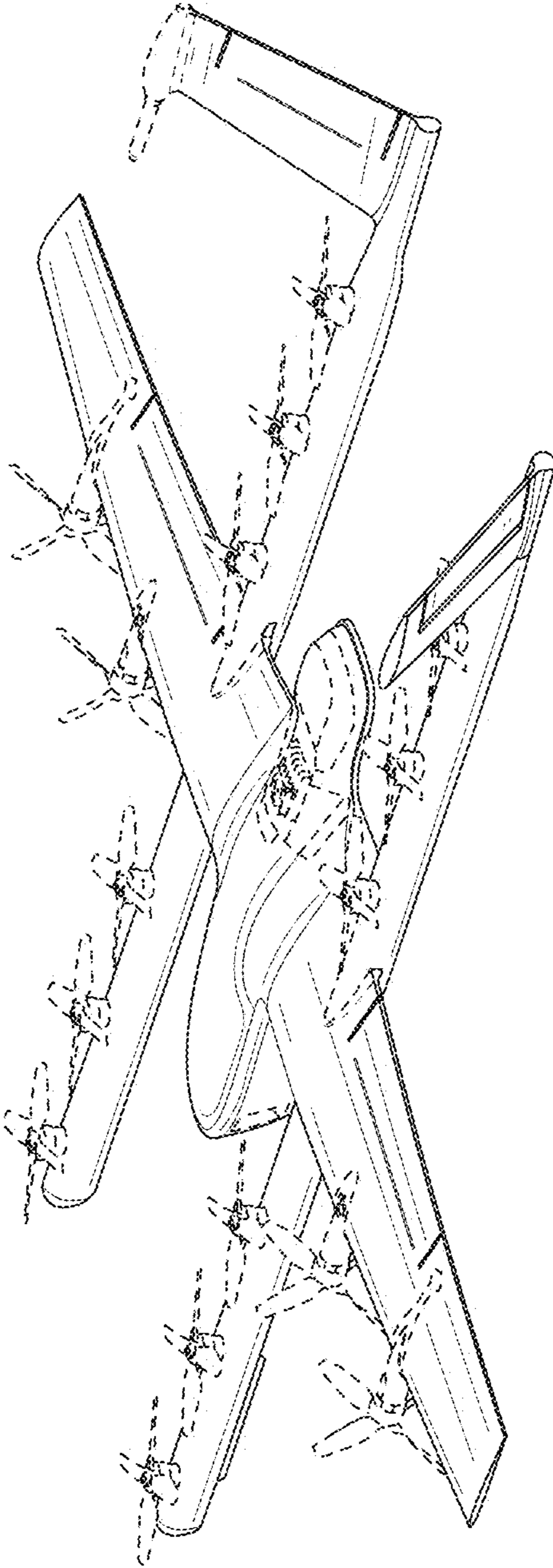


FIG. 8