



US00D988925S

(12) **United States Design Patent**  
**Gray et al.**

(10) **Patent No.:** **US D988,925 S**  
(45) **Date of Patent:** **\*\* Jun. 13, 2023**

(54) **MOTORIZED VEHICLE**

- (71) Applicant: **ELLWEE AB**, Trollhättan (SE)
- (72) Inventors: **Eduard Gray**, Vargön (SE); **Salvador Montero**, Vetlanda (SE)
- (73) Assignee: **ELLWEE AB**, Trollhättan (SE)
- (\*\*) Term: **15 Years**
- (21) Appl. No.: **29/780,382**
- (22) Filed: **Apr. 23, 2021**

(30) **Foreign Application Priority Data**

Nov. 3, 2020 (EM) ..... 008204838

(51) **LOC (14) Cl.** ..... **12-02**

(52) **U.S. Cl.**  
USPC ..... **D12/16**

(58) **Field of Classification Search**

USPC ..... D21/419, 424, 427, 433, 425, 548, 550,  
D21/551, 559; 180/233; D12/1, 16, 107,  
D12/407; 280/DIG. 5, DIG. 6, 651

CPC . B62K 5/01; B62K 11/04; B62K 5/00; B62K  
2005/002; B62K 5/003; B62B 3/02;  
B62B 5/06; B62B 202/67; B62D 21/183

See application file for complete search history.

(56) **References Cited**

**U.S. PATENT DOCUMENTS**

D423,603 S *	4/2000	Tasy	.....	D21/432
D809,427 S *	2/2018	Hein	.....	D12/16
D954,605 S *	6/2022	Lou	.....	D12/107
D955,297 S *	6/2022	Lou	.....	D12/107

**OTHER PUBLICATIONS**

2018 Ellwee X Electric Golf Cart, Shown in www.ironplanet.com, Web. 2018. Item # 7667203. (Year: 2018).\*

\* cited by examiner

*Primary Examiner* — Gino Colan

*Assistant Examiner* — Gregory G McLemore

(74) *Attorney, Agent, or Firm* — Tucker Ellis LLP

(57) **CLAIM**

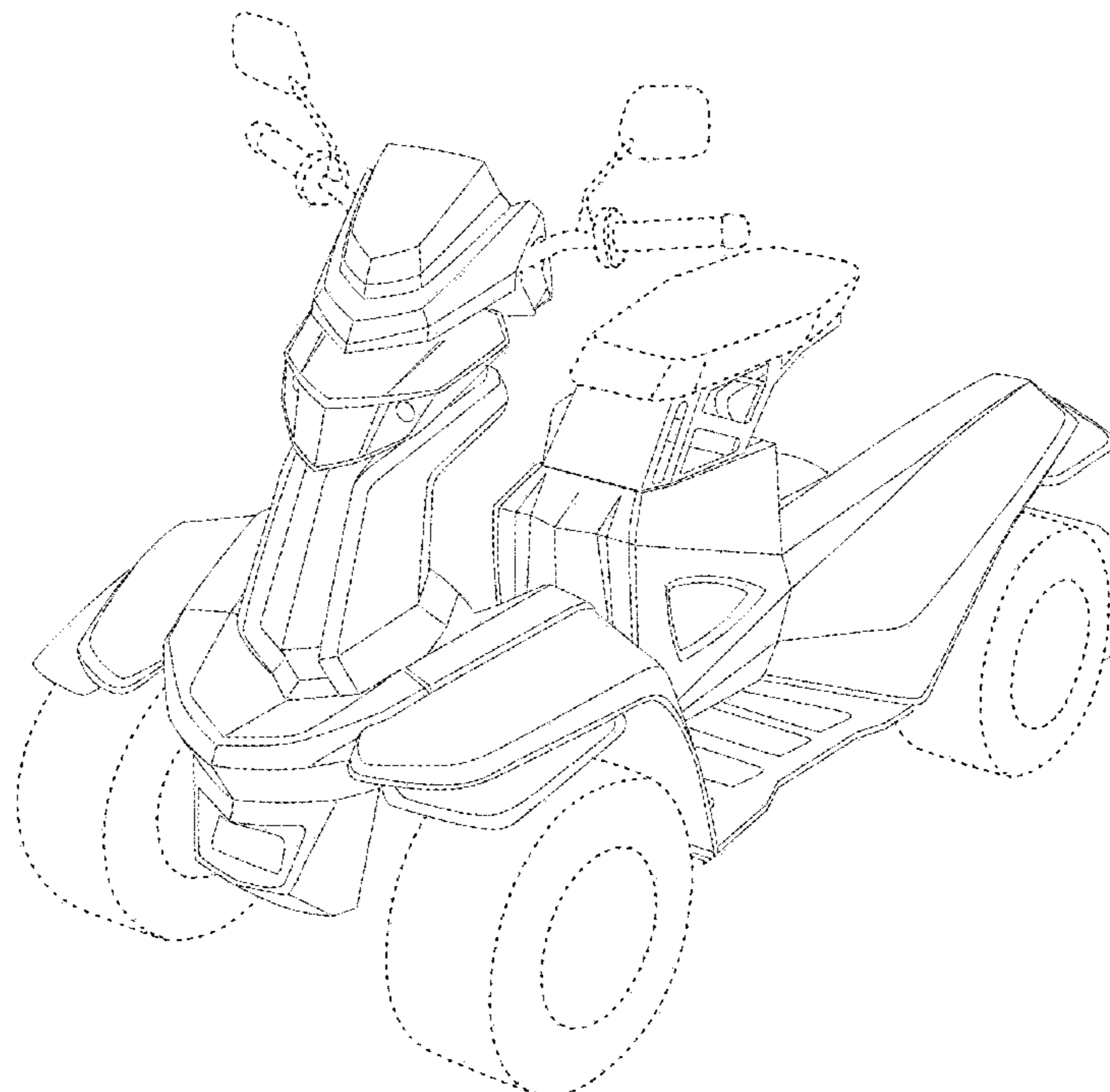
The ornamental design for a motorized vehicle, as shown and described.

**DESCRIPTION**

FIG. 1 is a front, right side and top perspective view of a motorized vehicle showing our new design; FIG. 2 is a front perspective view thereof; FIG. 3 is a rear perspective view thereof; FIG. 4 is a right side perspective view thereof; FIG. 5 is a left side perspective view thereof; FIG. 6 is a top perspective view thereof; and, FIG. 7 is a bottom perspective view thereof.

The broken lines in the drawings illustrate portions of the motorized vehicle that form no part of the claimed design.

**1 Claim, 7 Drawing Sheets**



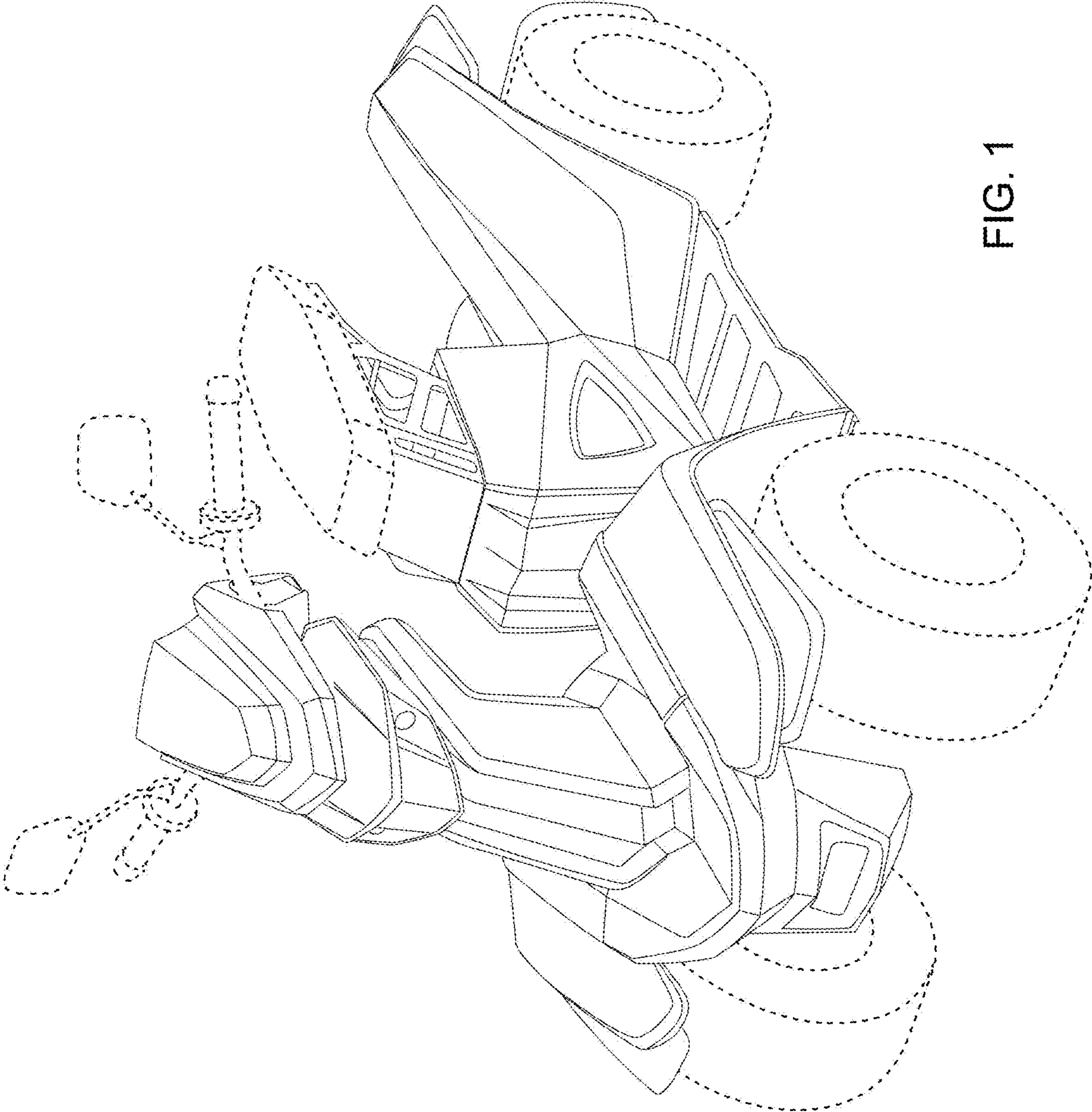


FIG. 1

FIG. 2

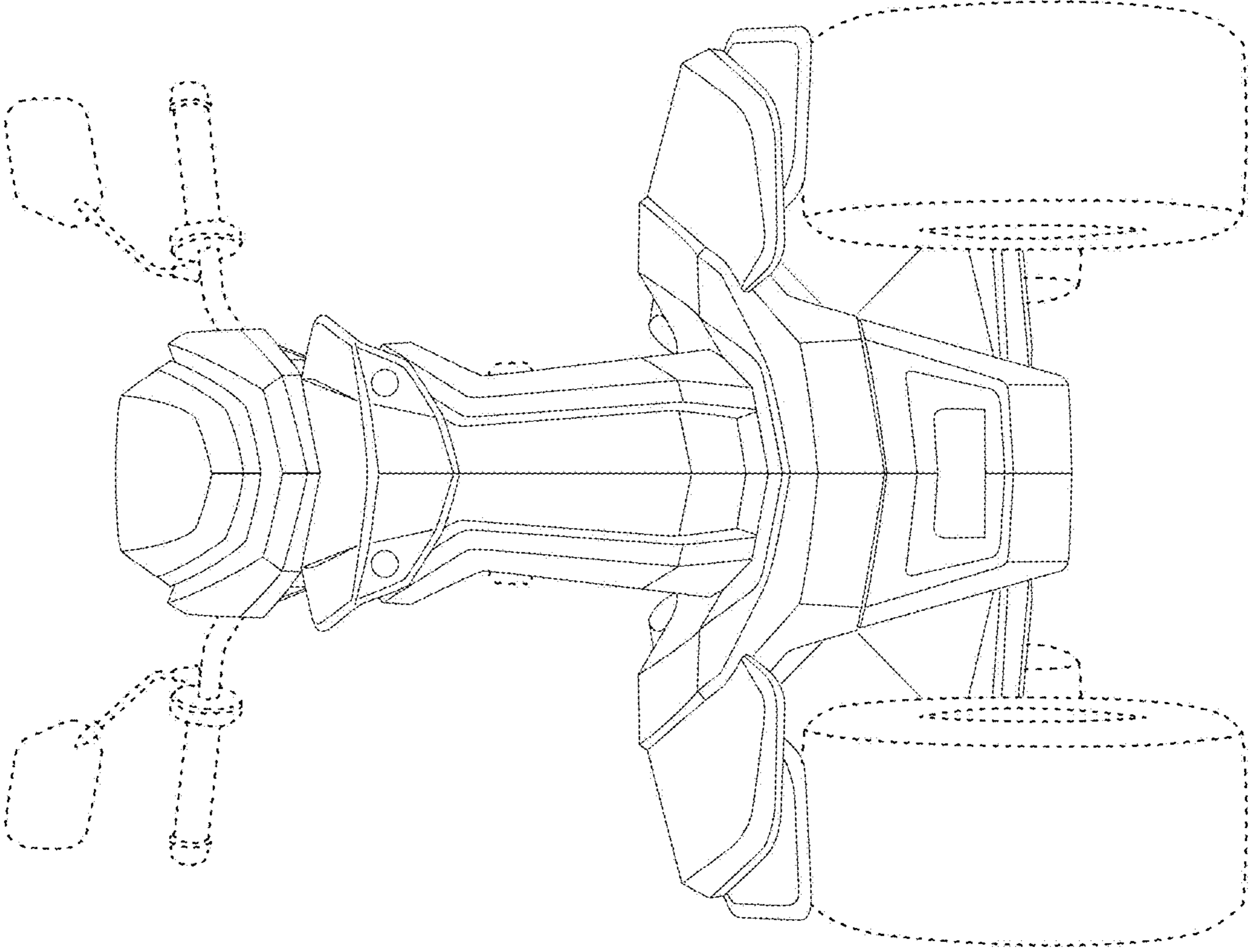
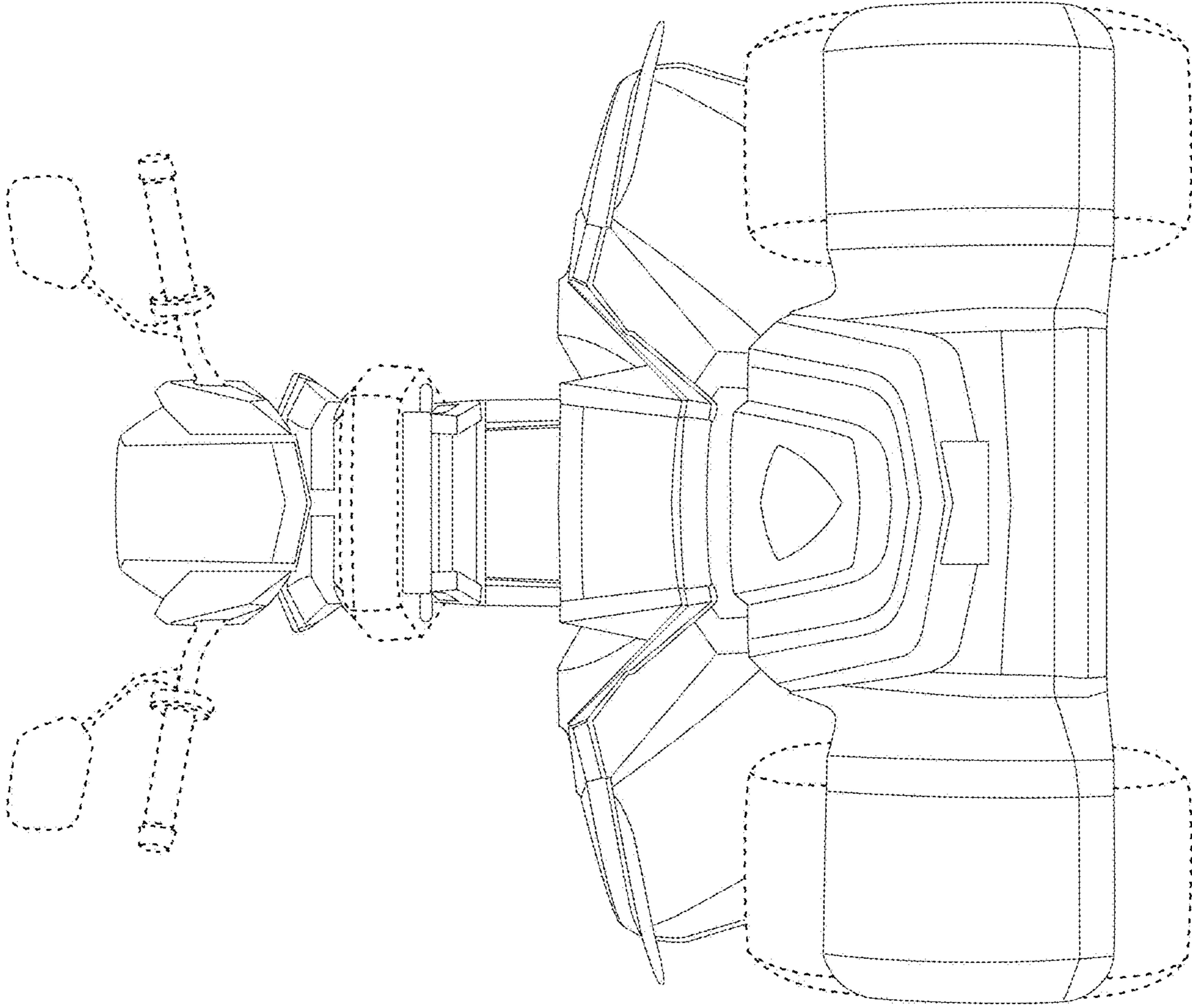


FIG. 3



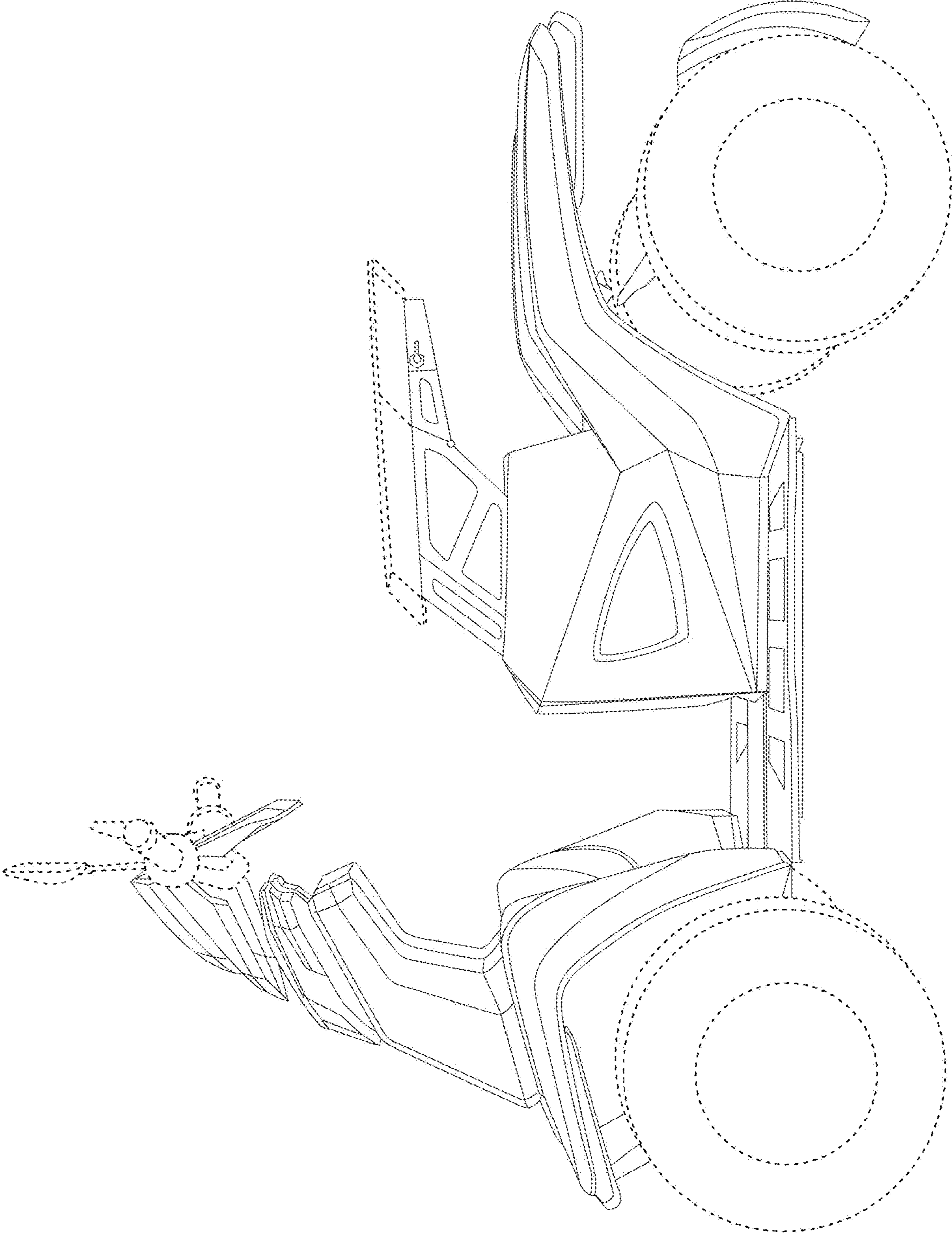


FIG. 4

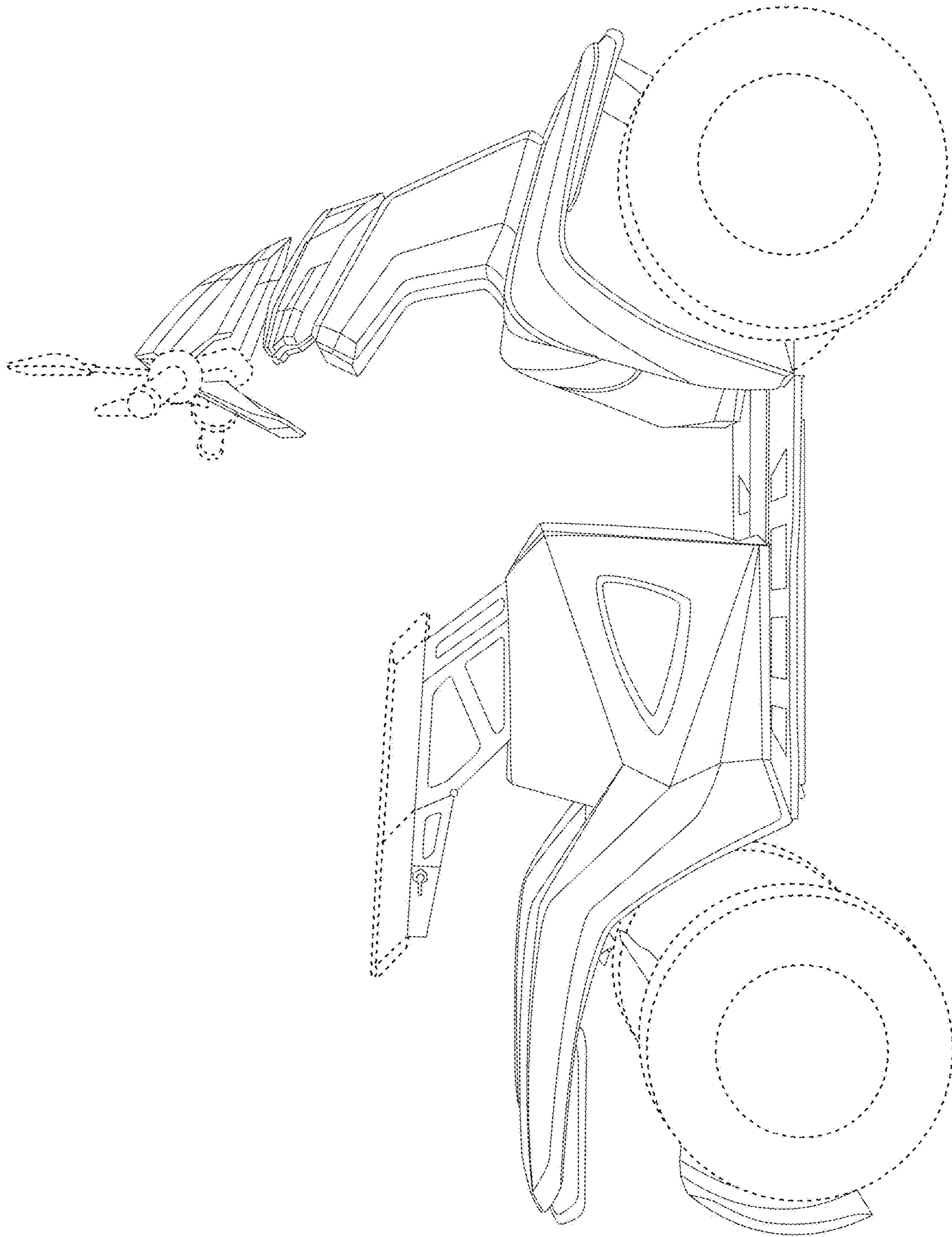


FIG. 5

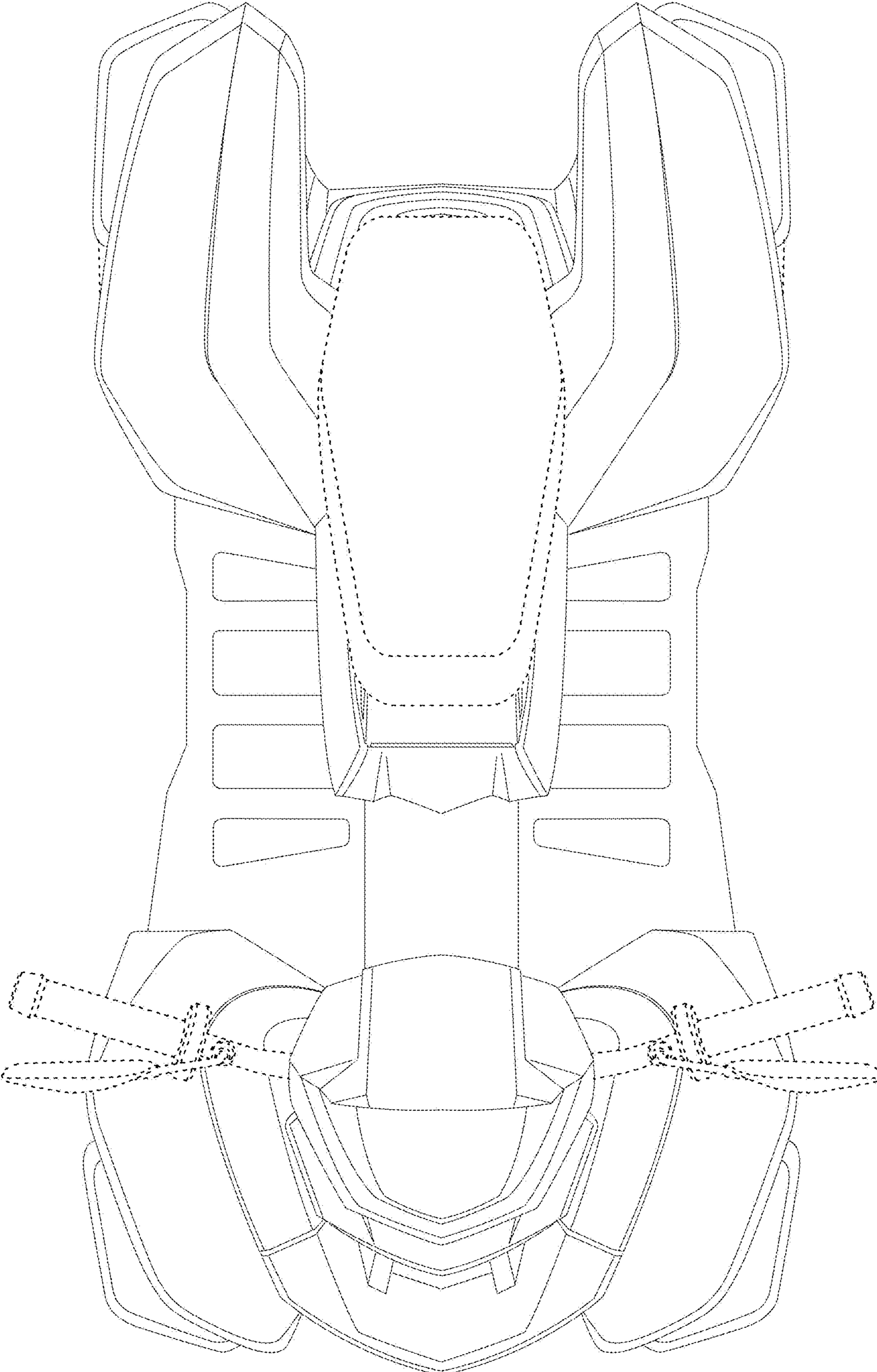


FIG. 6

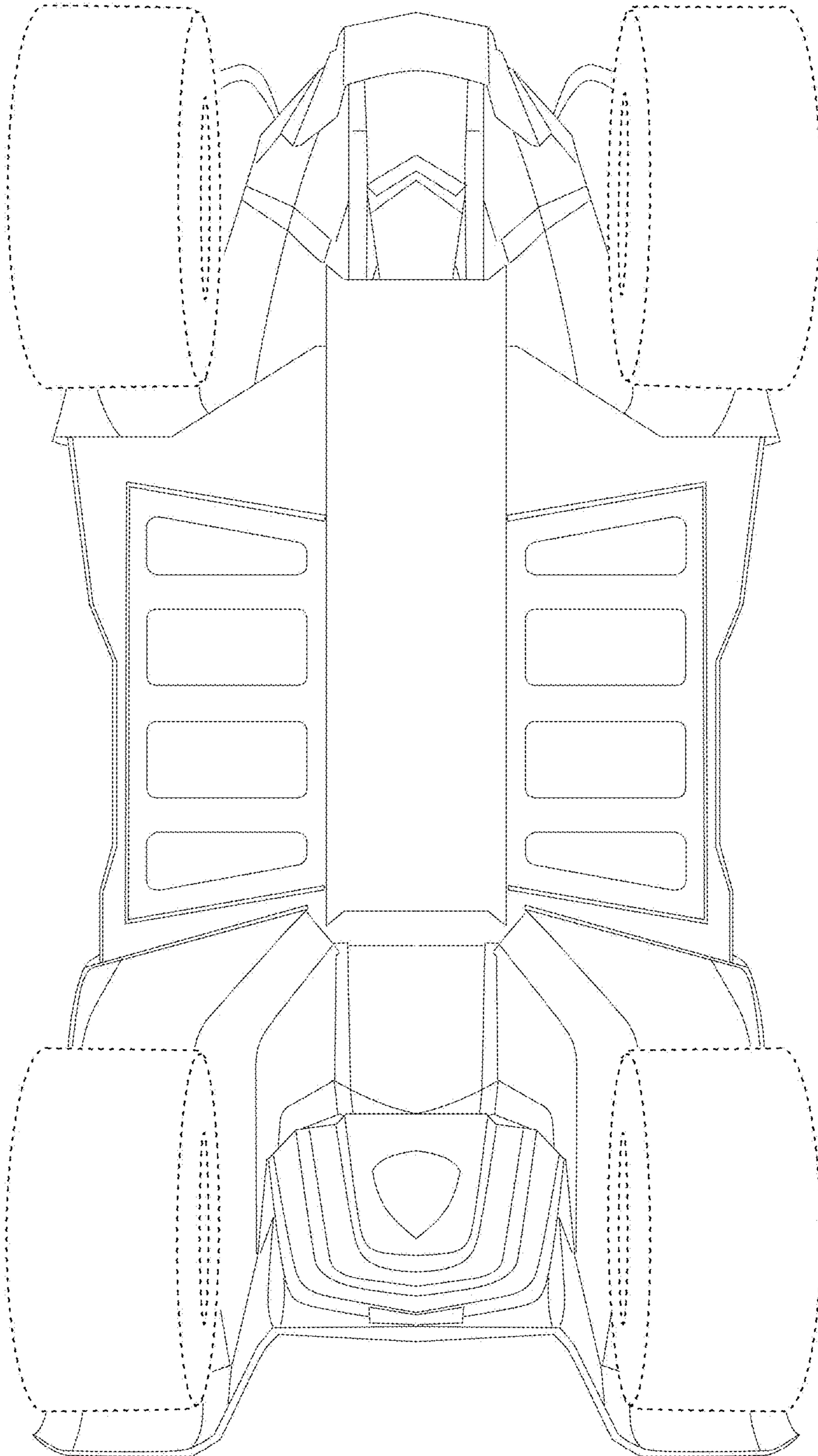


FIG. 7