



US00D988915S

(12) **United States Design Patent**
Yatsugi-Kang

(10) **Patent No.:** **US D988,915 S**
(45) **Date of Patent:** **** Jun. 13, 2023**

(54) **PAIR OF EARRINGS**

(71) Applicant: **Harry Winston SA**, Plan-les-Ouates
(CH)

(72) Inventor: **Rie Yatsugi-Kang**, New York, NY (US)

(73) Assignee: **Harry Winston S.A.**, Plan-les-Ouates
(CH)

(**) Term: **15 Years**

(21) Appl. No.: **29/767,842**

(22) Filed: **Jan. 26, 2021**

(30) **Foreign Application Priority Data**

Jul. 30, 2020 (WO) WIPO96746

(51) **LOC (14) Cl.** **11-01**

(52) **U.S. Cl.**
USPC **D11/41**

(58) **Field of Classification Search**

USPC D11/40-78, 79-85
CPC A44C 1/00; A44C 7/002; A44C 7/003;
A44C 7/004; A44C 7/005; A44C 7/006;
A44C 7/007; A44C 7/008; A44C 7/009;
A44C 25/001; A44C 25/002; A44C
25/004; A44C 25/007; A44C 17/001;
A44C 17/007; A44C 17/008; A44C
17/02; A44C 17/0208; A44C 17/0258;
A44C 17/0291; A44C 17/04; A44C
17/046

See application file for complete search history.

(56) **References Cited**

U.S. PATENT DOCUMENTS

D154,592 S * 7/1949 Duvalet D11/90
D158,862 S * 6/1950 Katz D11/90
D729,108 S * 5/2015 Kwon D11/43
D752,472 S * 3/2016 Riviere D11/43

D758,911 S * 6/2016 Kwon D11/43
D784,846 S * 4/2017 Abdourahim D11/43
D785,491 S * 5/2017 Yatsugi-Kang D11/43
D792,803 S * 7/2017 Abdourahim D11/42
D934,727 S * 11/2021 Yatsugi-Kang D11/42
D935,933 S * 11/2021 Riviere D11/43
D938,297 S * 12/2021 Abdourahim D11/42
D938,298 S * 12/2021 Riviere D11/43

(Continued)

FOREIGN PATENT DOCUMENTS

CN 305624586 * 2/2020
HK 2015499-0006 * 7/2020

OTHER PUBLICATIONS

MJ Bohan Co. Inc. Harry Winston Diamond Earrings, available Jan. 11, 2023, online, site visited Jan. 11, 2023. Available online, URL: <https://mjbohan.com/product-preview/harry-winston-diamond-earrings/> (Year: 2023).*

(Continued)

Primary Examiner — W. A. Teddy Falloway

Assistant Examiner — Sarah J Ault

(74) *Attorney, Agent, or Firm* — Blank Rome LLP

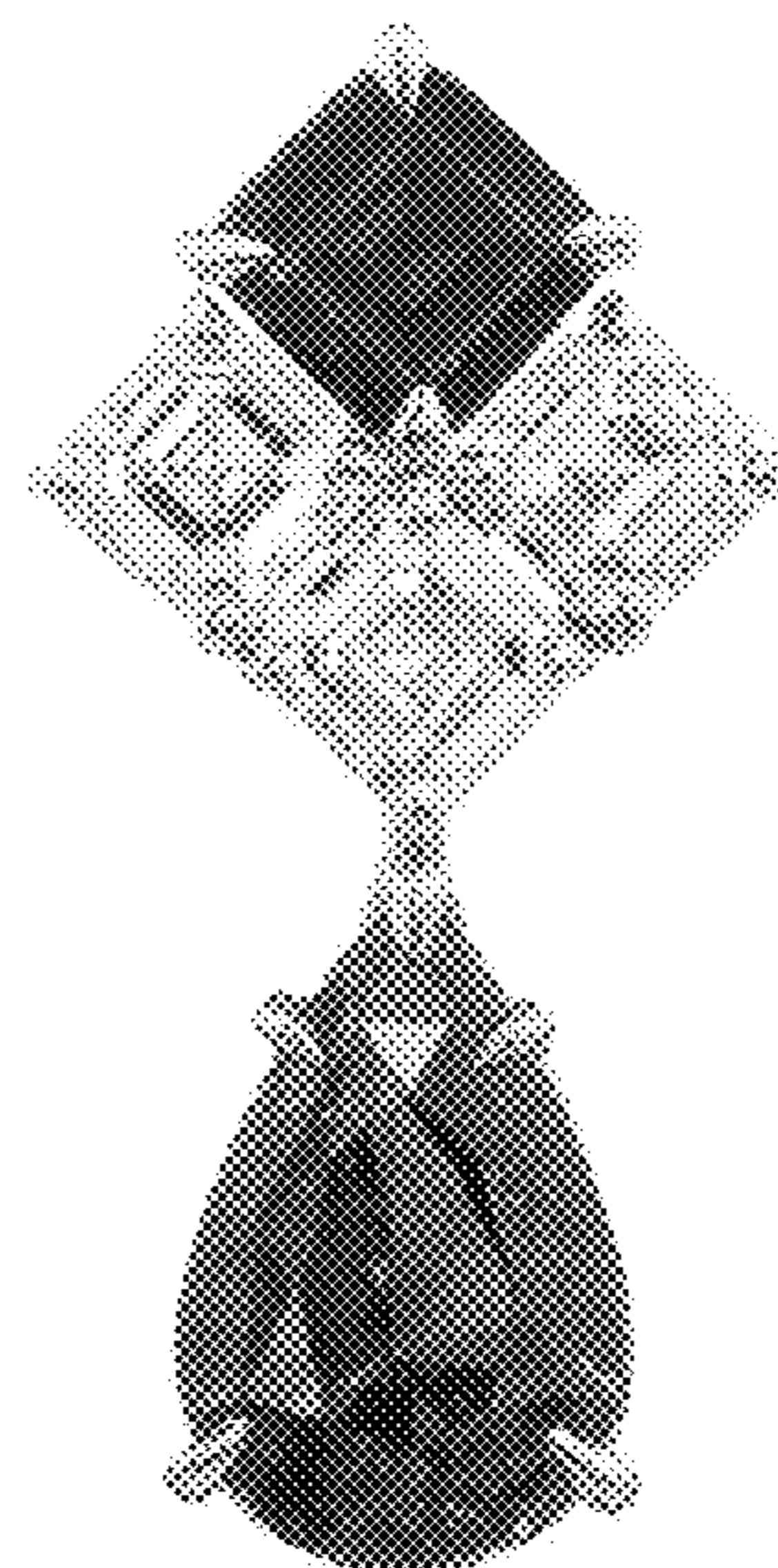
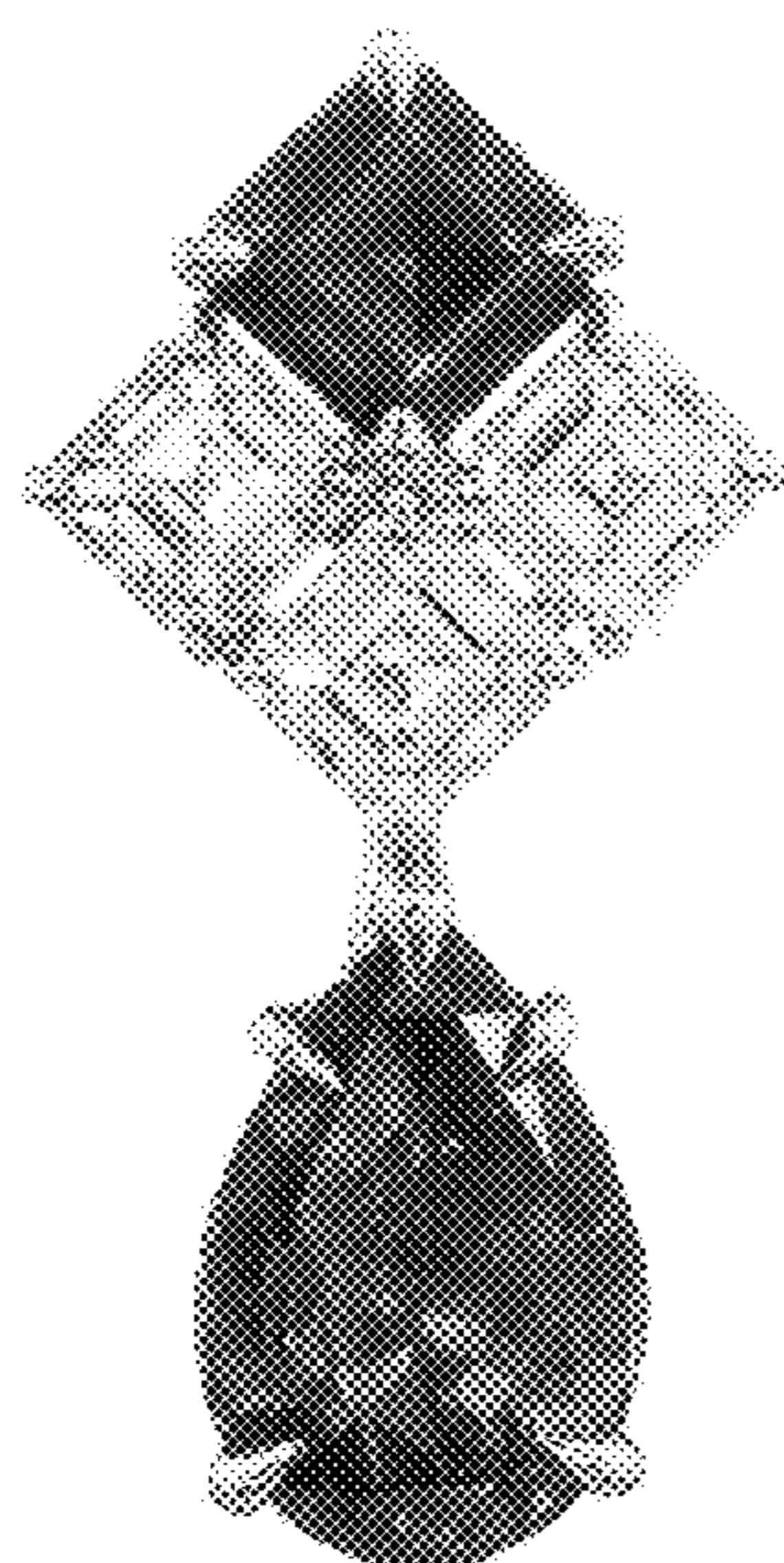
(57) **CLAIM**

The ornamental design for a pair of earrings, as shown and described.

DESCRIPTION

FIG. 1 is a front view of a pair of earrings of my new design; FIG. 2 is a rear view thereof; FIG. 3 is a right side view thereof; FIG. 4 is a left side view thereof; FIG. 5 is a bottom rear perspective view thereof; FIG. 6 is a top rear perspective view thereof; FIG. 7 is a front left perspective view thereof; and, FIG. 8 is a rear left perspective view thereof.

1 Claim, 8 Drawing Sheets



(56)

References Cited

U.S. PATENT DOCUMENTS

D938,300	S	*	12/2021	Abdourahim	D11/43
D938,301	S	*	12/2021	Riviere	D11/43
D938,853	S	*	12/2021	Abdourahim	D11/42
D939,376	S	*	12/2021	Riviere	D11/42
D941,177	S	*	1/2022	Yatsugi-Kang	D11/43
D942,307	S	*	2/2022	Yatsugi-Kang	D11/43
D953,923	S	*	6/2022	Yatsugi-Kang	D11/42
D955,264	S	*	6/2022	Riviere	D11/42
D955,266	S	*	6/2022	Riviere	D11/42
D969,663	S	*	11/2022	Yatsugi-Kang	D11/42
D971,060	S	*	11/2022	Riviere	D11/40
D971,061	S	*	11/2022	Yatsugi-Kang	D11/40
D971,063	S	*	11/2022	Yatsugi-Kang	D11/40
D971,772	S	*	12/2022	Yatsugi-Kang	D11/43
D971,776	S	*	12/2022	Wuest	D11/43
D971,777	S	*	12/2022	Yatsugi-Kang	D11/43

OTHER PUBLICATIONS

Harry Winston—The New York Collection, available Oct. 2018, online, site visited Jan. 11, 2023. Available online, URL: <https://www.scmp.com/magazines/style/article/1931534/louis-vuitton-launches-second-chapter-its-sixth-high-jewellery> (Year: 2018).*

* cited by examiner



FIG. 1



FIG. 2

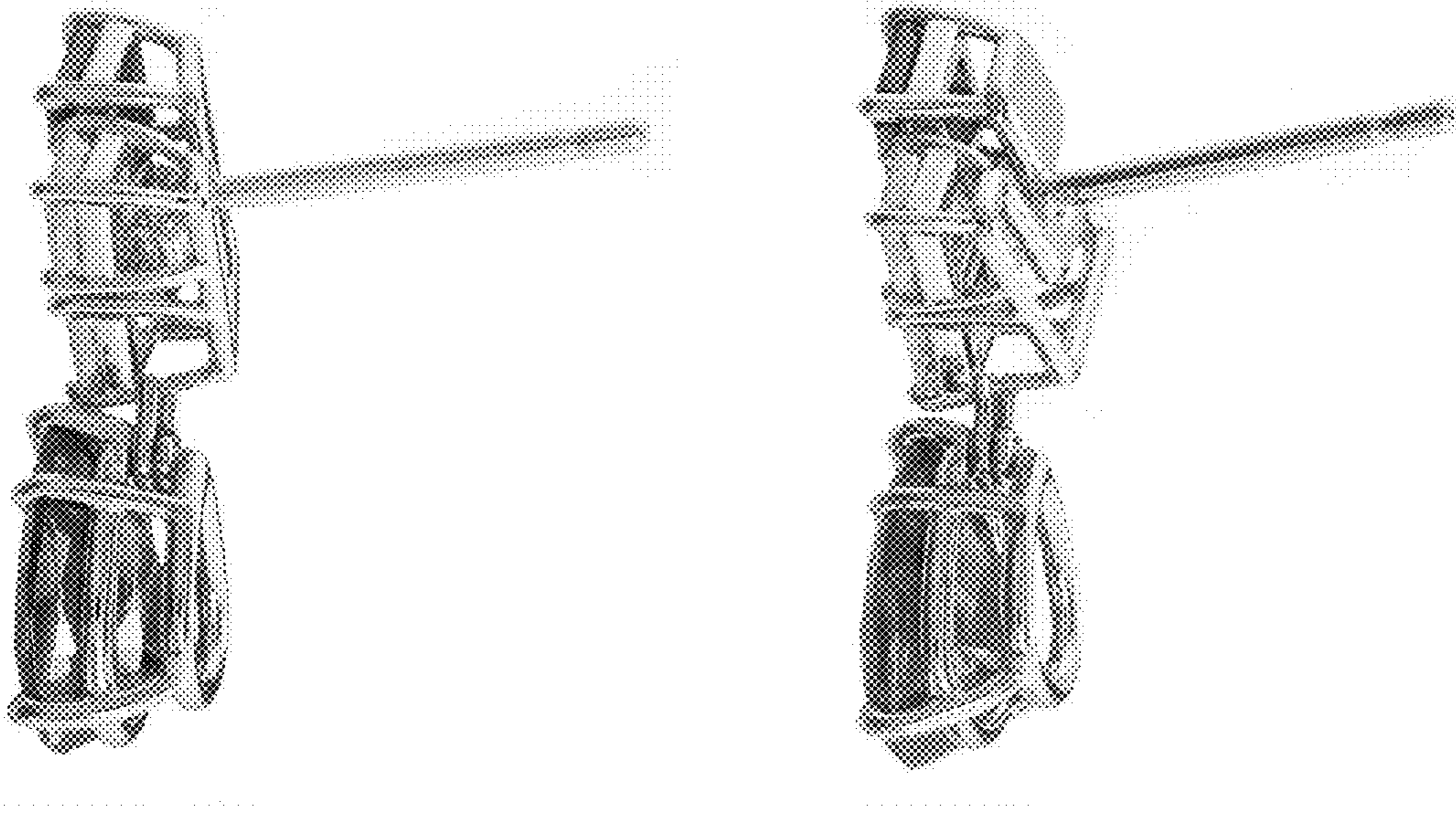


FIG. 3

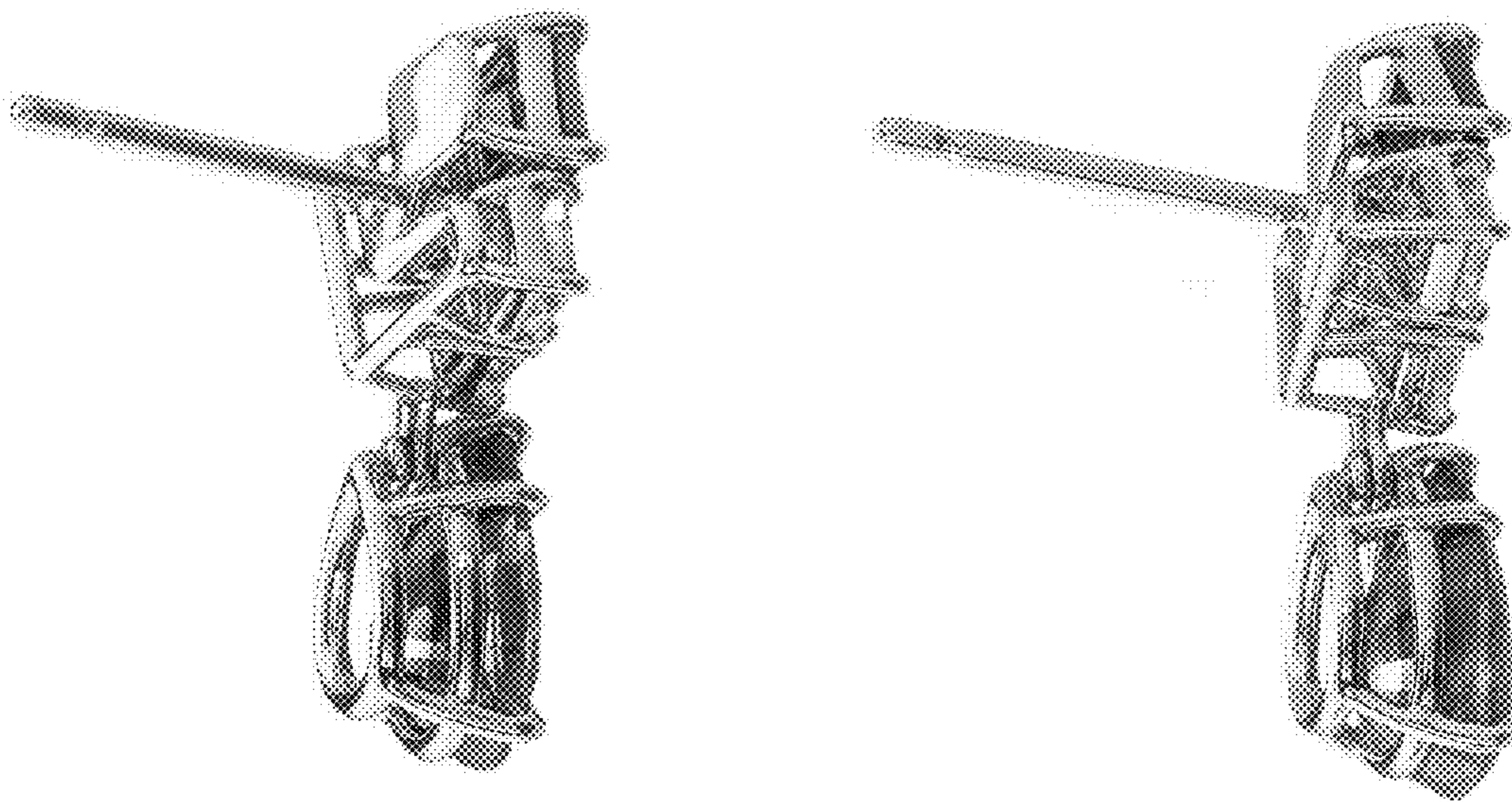


FIG. 4

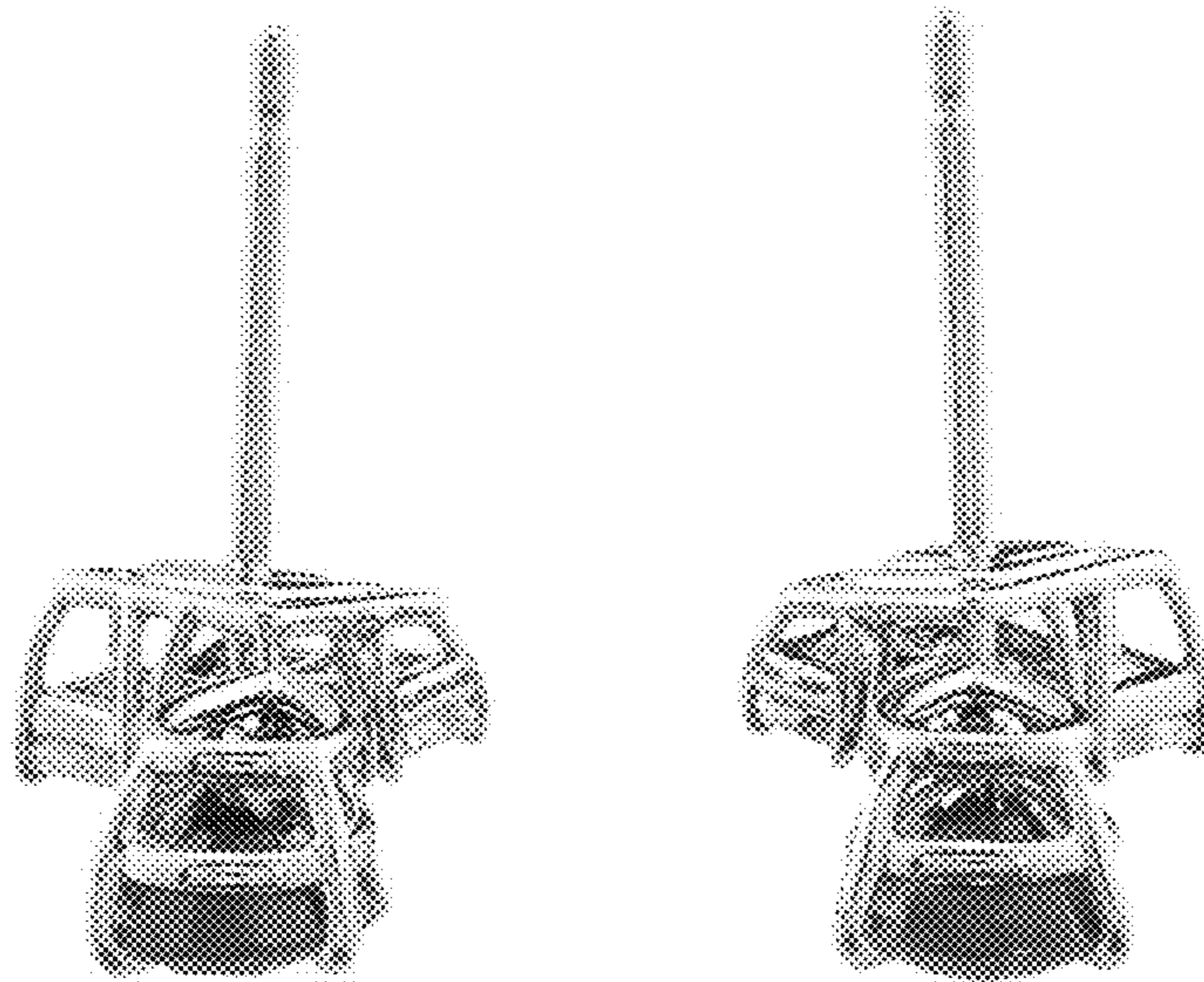


FIG. 5

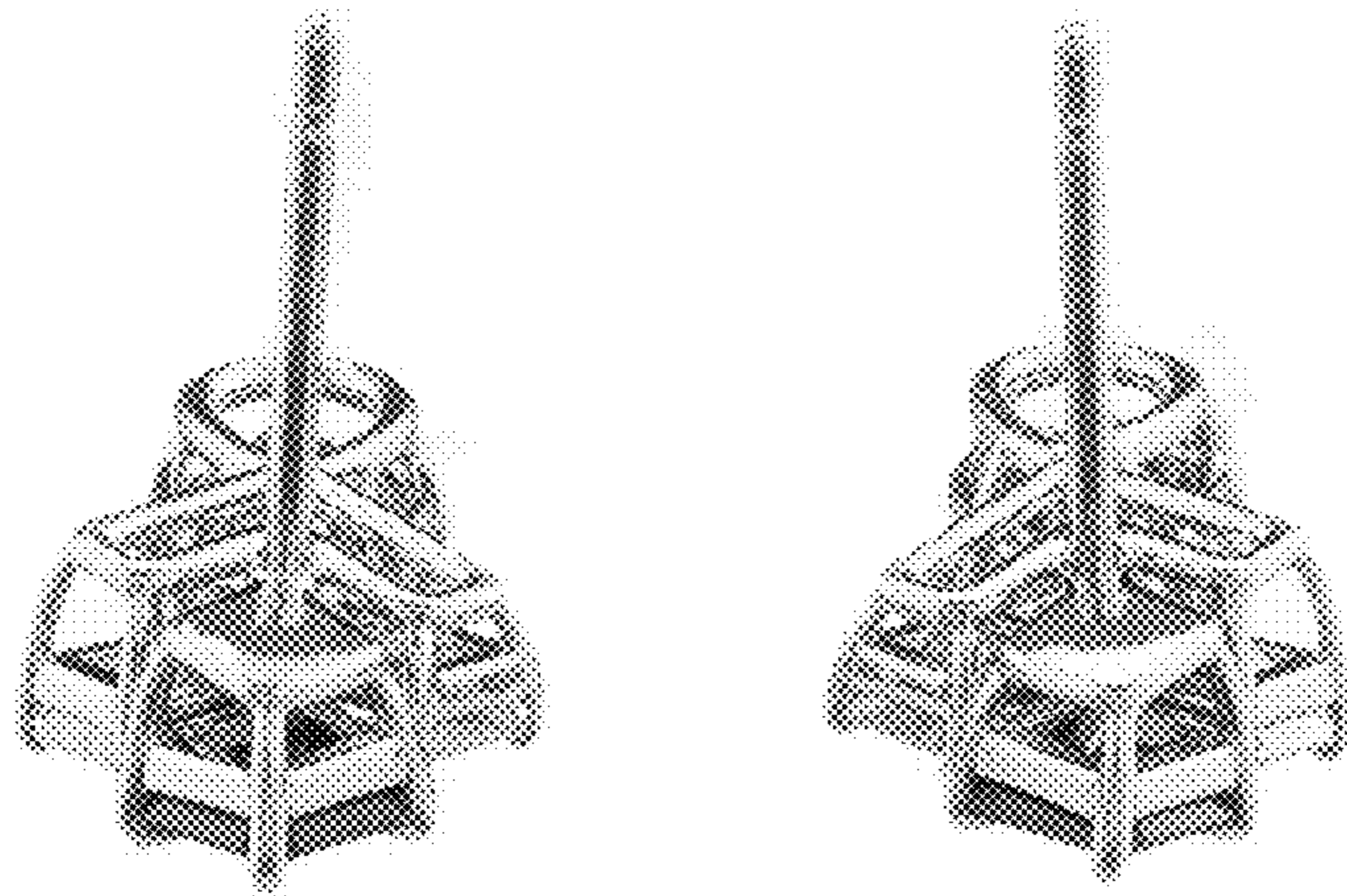


FIG. 6

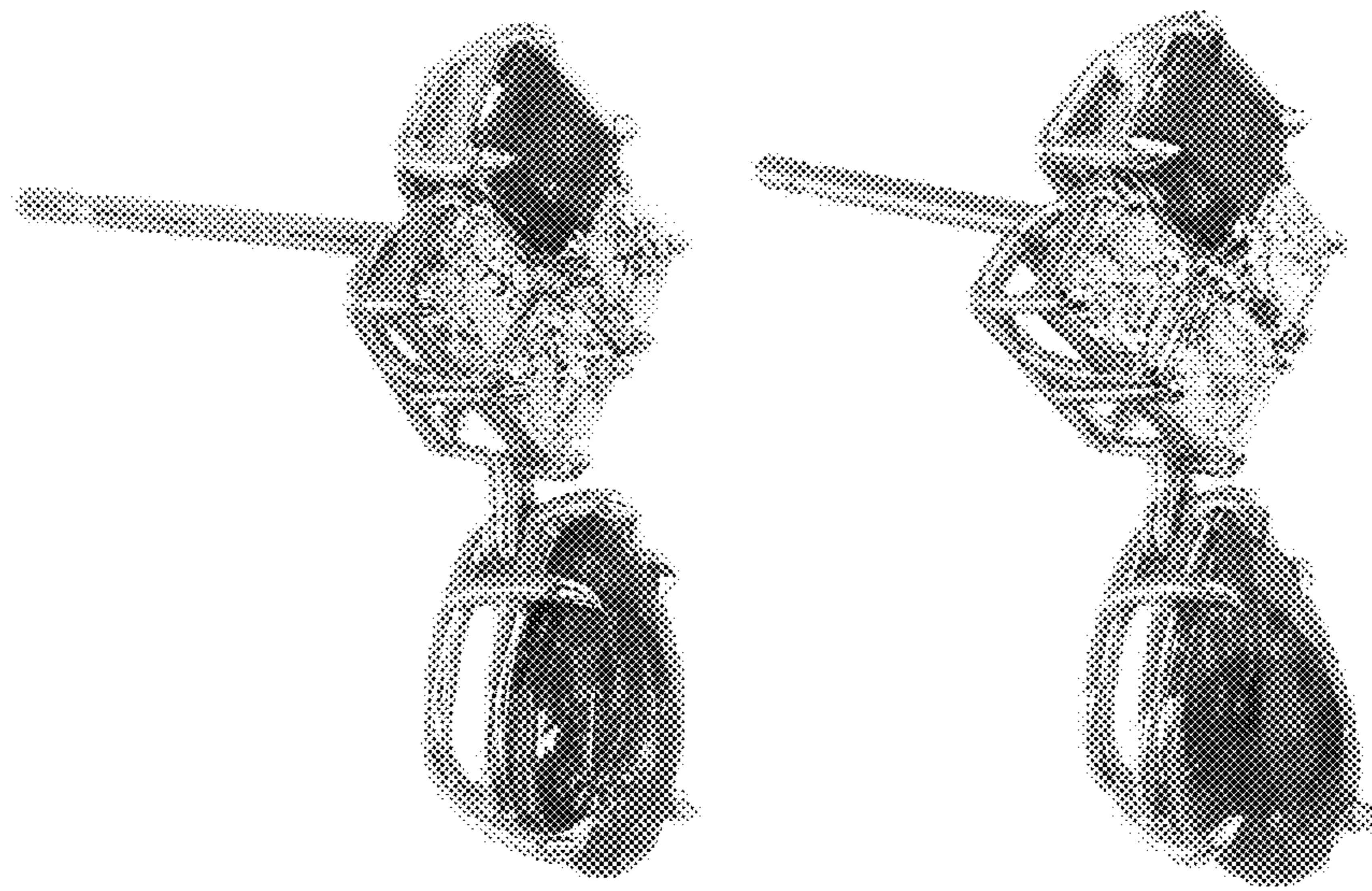


FIG. 7



FIG. 8