



US00D988914S

(12) **United States Design Patent**  
**Friedman**

(10) **Patent No.:** **US D988,914 S**

(45) **Date of Patent:** **\*\* Jun. 13, 2023**

(54) **FINGER RING**

(71) Applicant: **Lilia Friedman**, Petah Tikva (IL)

(72) Inventor: **Lilia Friedman**, Petah Tikva (IL)

(\*\*) Term: **15 Years**

(21) Appl. No.: **29/813,735**

(22) Filed: **Nov. 1, 2021**

(51) **LOC (14) Cl.** ..... **11-01**

(52) **U.S. Cl.**  
USPC ..... **D11/39**

(58) **Field of Classification Search**

USPC ..... D11/1, 3, 4, 26-39, 91, 92  
CPC ..... A44C 9/00; A44C 9/0007; A44C 9/0014;  
A44C 9/0023; A44C 9/003; A44C  
9/0038; A44C 9/0046; A44C 9/0053;  
A44C 9/0061; A44C 9/0069; A44C  
9/0076; A44C 9/0084; A44C 9/0092;  
A44C 9/02; A44C 17/0258; A44C  
17/0266; A44C 17/0275; A44C 17/0283;  
A44C 17/02; A44C 17/0208; A44C  
17/0216; A44C 17/0225; A44C 17/0233;  
A44C 17/0241; A44C 17/025; A44C  
17/0288; A44C 17/0291; A44C 1/00

See application file for complete search history.

(56) **References Cited**

**U.S. PATENT DOCUMENTS**

D51,067 S \* 7/1917 Jacobs ..... D11/28  
D71,596 S \* 12/1926 Levine ..... D11/33  
D71,600 S \* 12/1926 Levine ..... D11/28  
D71,604 S \* 12/1926 Levine ..... D11/28

D83,144 S \* 1/1931 Broom ..... D11/28  
D137,403 S \* 3/1944 Barnique ..... D11/30  
D373,096 S \* 8/1996 Bergagnini ..... D11/28  
D780,018 S \* 2/2017 Rivière ..... D11/34  
D792,264 S \* 7/2017 Yatsugi-Kang ..... D11/34  
D951,802 S \* 5/2022 Friedman ..... D11/35  
D960,757 S \* 8/2022 Friedman ..... D11/35

**OTHER PUBLICATIONS**

[Online] [https://www.amazon.com/Rinfit-Silicone-Wedding-Ring-Women/dp/B08G5B6RFR/ref=sr\\_1\\_3?crd=JV9BTPLD2FDF&keywords=lilcy&qid=1678550184&sprefix=lily%2Caps%2C100&sr=8-3&th=1](https://www.amazon.com/Rinfit-Silicone-Wedding-Ring-Women/dp/B08G5B6RFR/ref=sr_1_3?crd=JV9BTPLD2FDF&keywords=lilcy&qid=1678550184&sprefix=lily%2Caps%2C100&sr=8-3&th=1). Posted only Dec. 1, 2019. Retrieved Mar. 11, 2023.\*

\* cited by examiner

*Primary Examiner* — Melanie Pellegrini

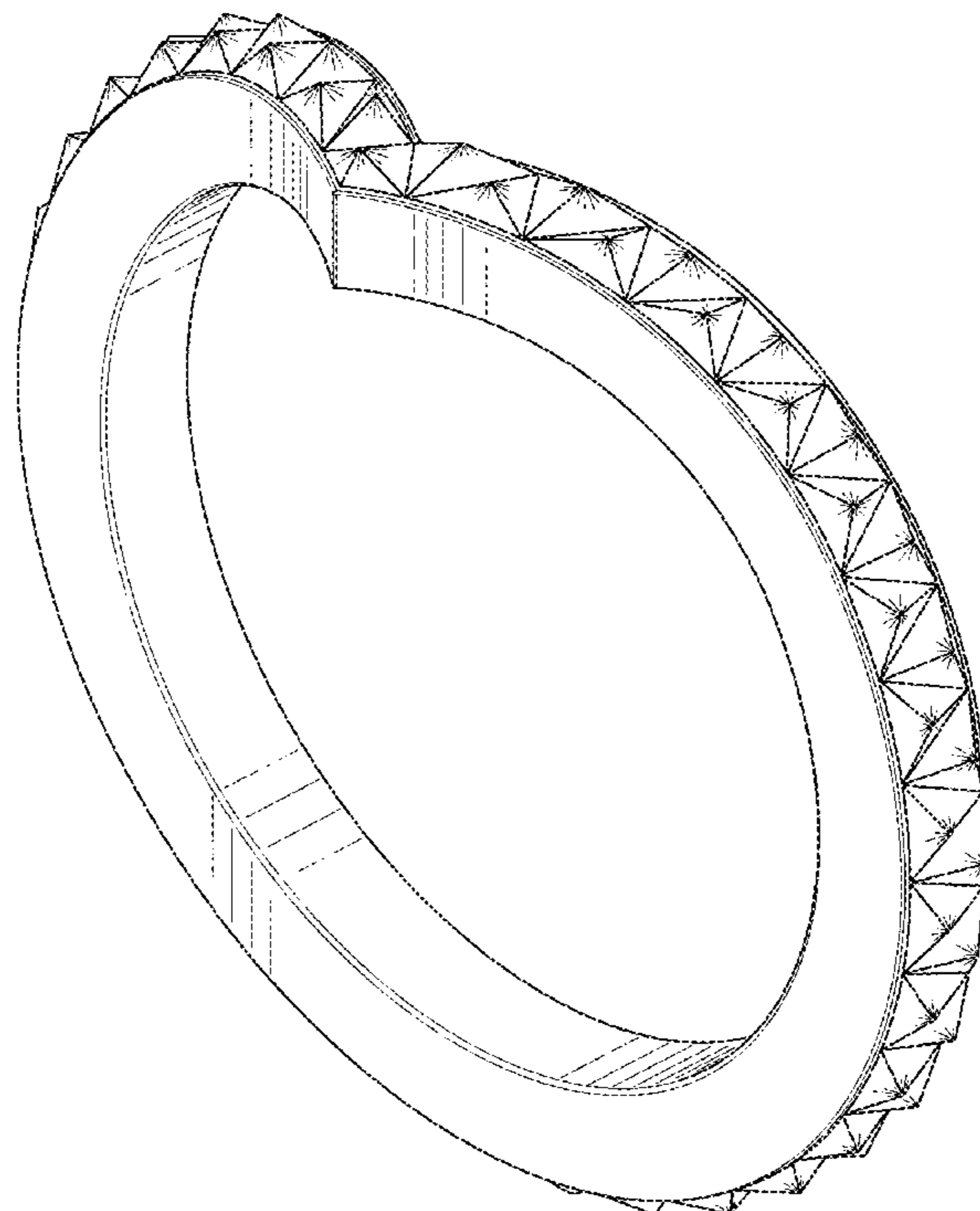
(57) **CLAIM**

The ornamental design for a finger ring, as shown and described.

**DESCRIPTION**

FIG. 1 is a front perspective view of a finger ring, showing my new design;  
FIG. 2 is a front view thereof;  
FIG. 3 is a rear view thereof;  
FIG. 4 is a left side view thereof;  
FIG. 5 is a right side view thereof;  
FIG. 6 is a top view thereof; and,  
FIG. 7 is a bottom view thereof.

**1 Claim, 7 Drawing Sheets**



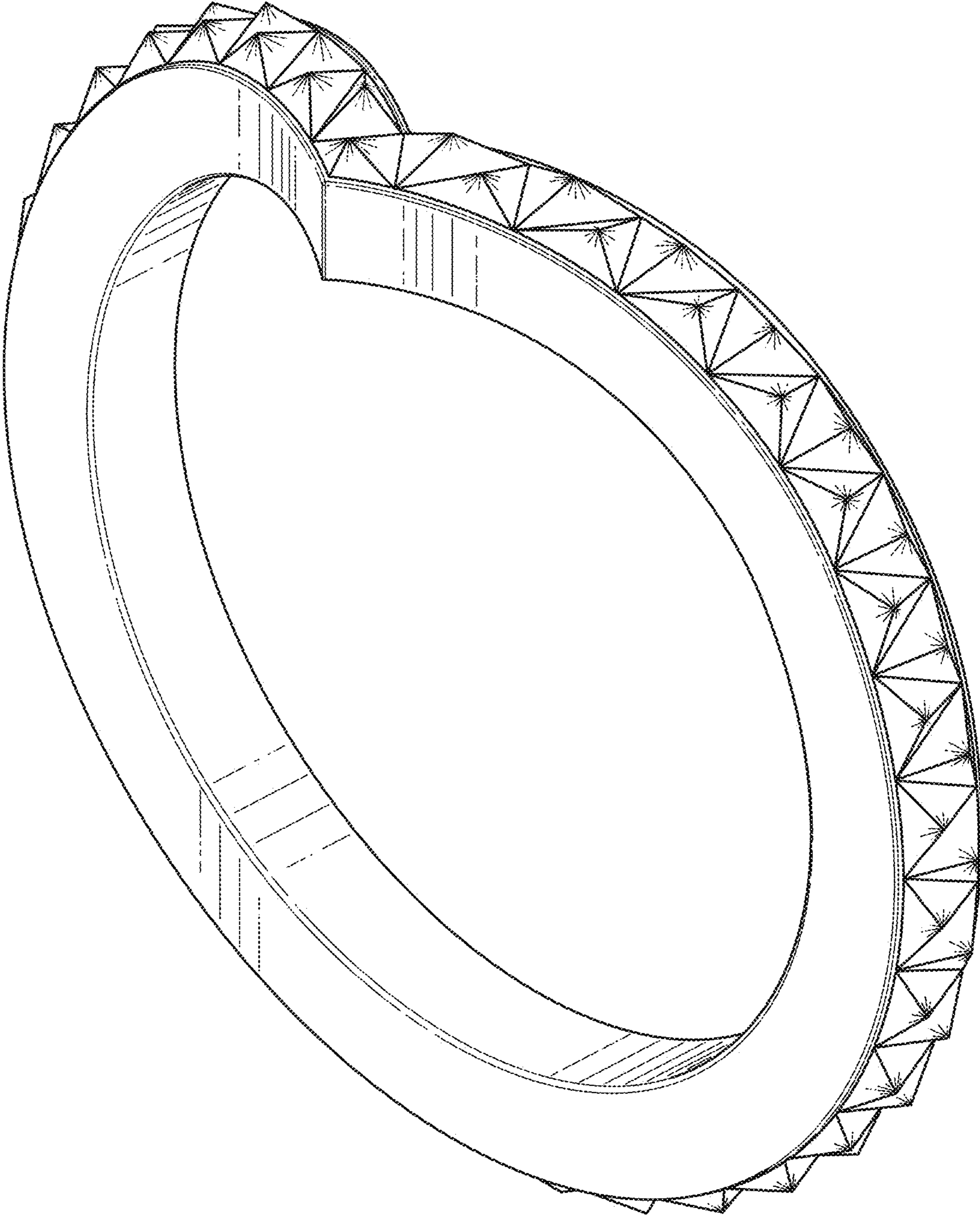


FIG. 1

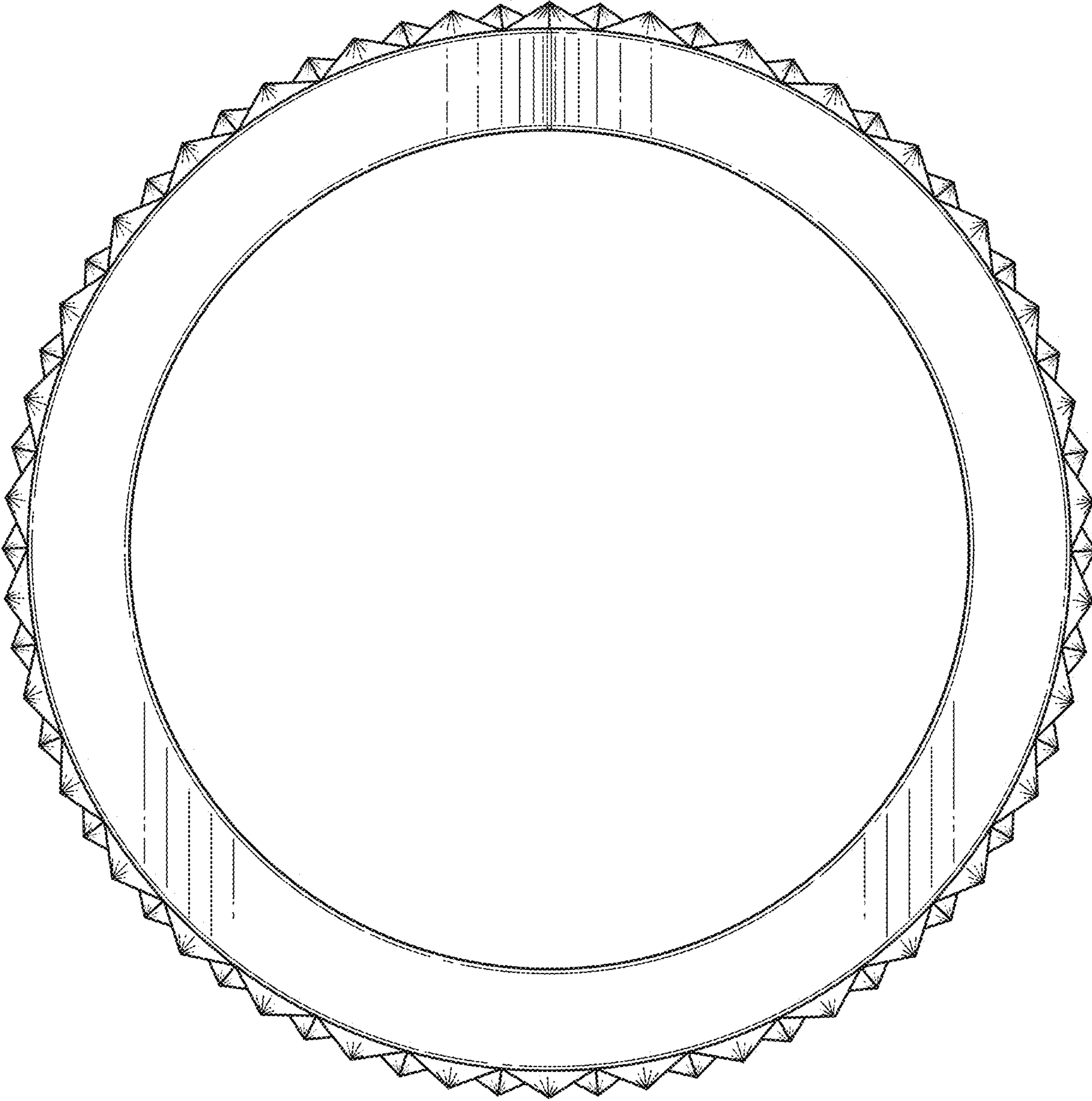


FIG. 2



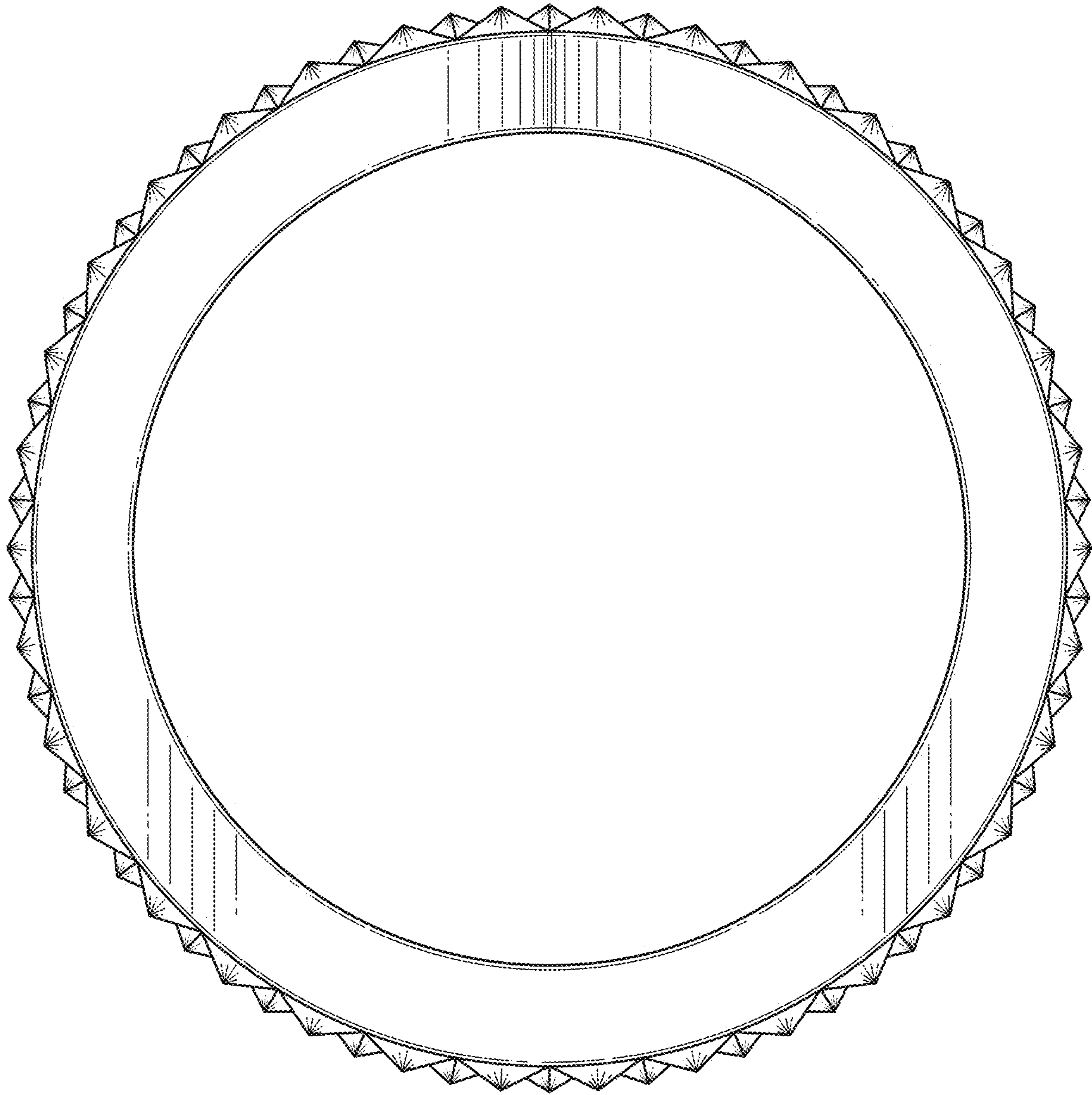


FIG. 3

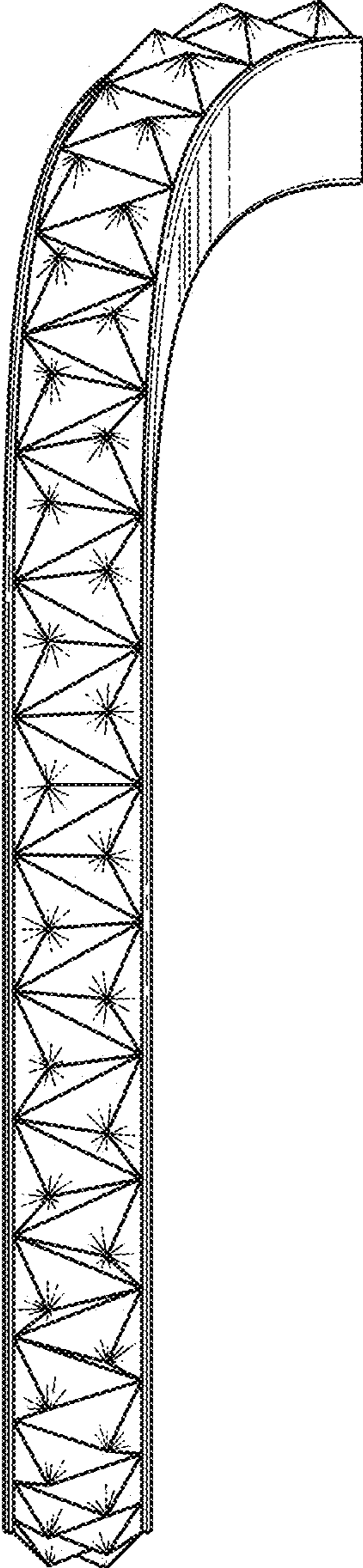


FIG. 4

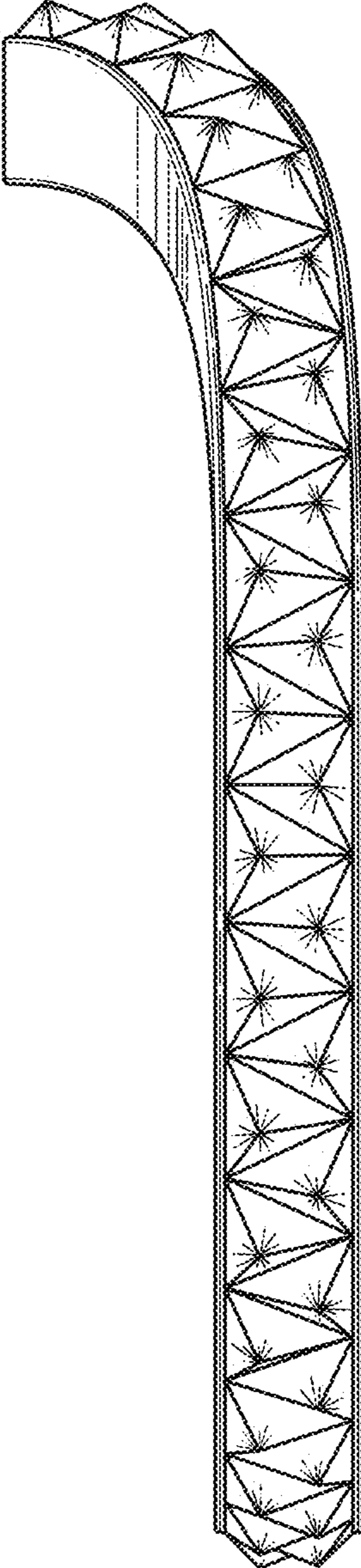


FIG. 5

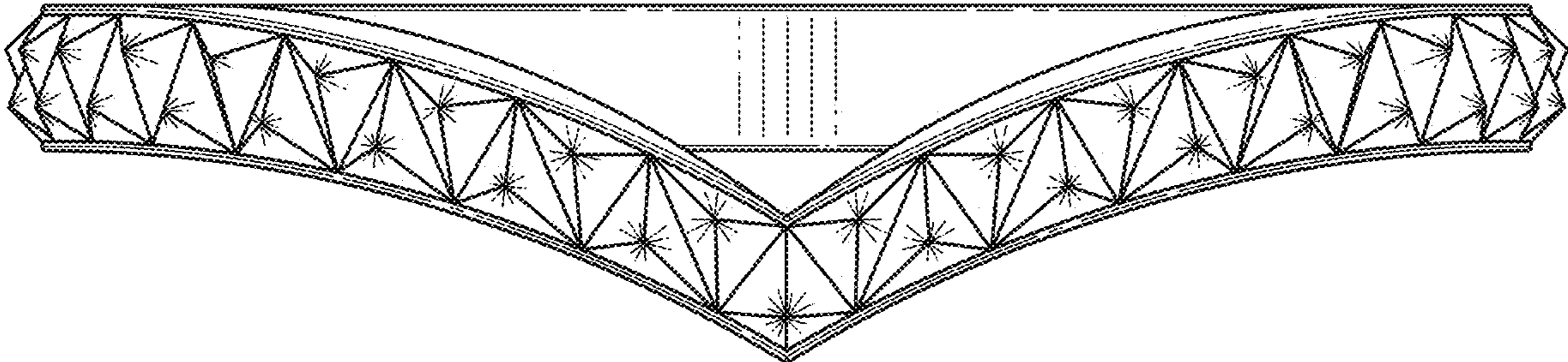


FIG. 6

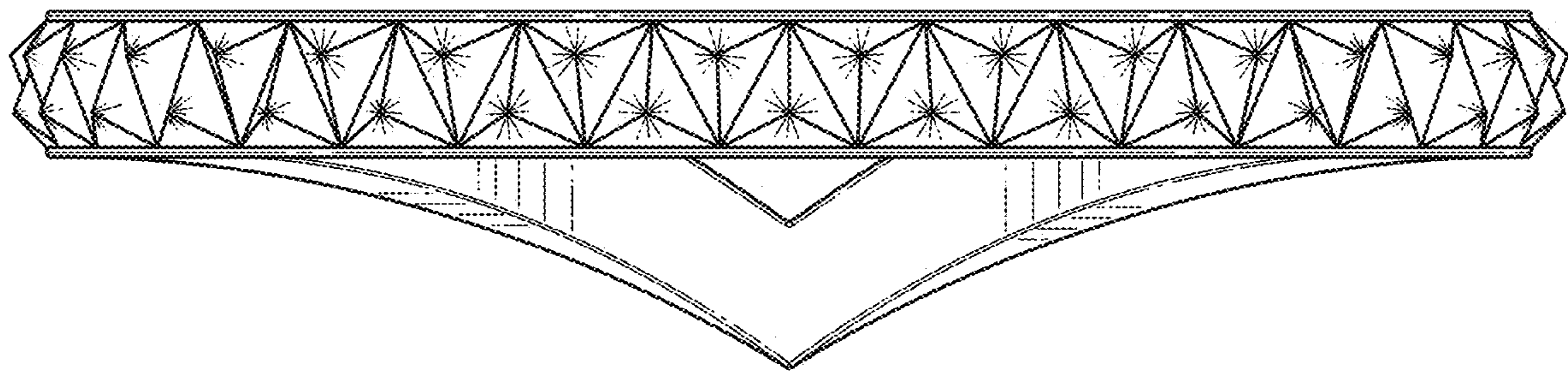


FIG. 7