



US00D988913S

(12) **United States Design Patent** (10) **Patent No.:** **US D988,913 S**
Brooks (45) **Date of Patent:** **** Jun. 13, 2023**

(54) **FINGER RING WITH A CUT STONE**
(71) Applicant: **Paige Brooks**, Houston, TX (US)
(72) Inventor: **Paige Brooks**, Houston, TX (US)
(**) Term: **15 Years**
(21) Appl. No.: **29/699,657**
(22) Filed: **Jul. 26, 2019**
(51) **LOC (14) Cl.** **11-01**
(52) **U.S. Cl.**
USPC **D11/36**
(58) **Field of Classification Search**
USPC D11/1, 7, 8, 40, 26-39, 91, 92
CPC A44C 9/00; A44C 9/0007; A44C 9/0014;
A44C 9/0023; A44C 9/003; A44C
9/0038; A44C 9/0046; A44C 9/0053;
A44C 9/0061; A44C 9/0069; A44C
9/0076; A44C 9/0084; A44C 9/0092;
A44C 9/02; A44C 17/0258; A44C
17/0266; A44C 17/0275; A44C 17/0283;
A44C 17/02; A44C 17/0208; A44C
17/0216; A44C 17/0225; A44C 17/0233;
A44C 17/0241; A44C 17/025; A44C
17/0288; A44C 17/0291; A44C 1/00;
A44C 15/00; A44C 15/003

See application file for complete search history.

(56) **References Cited**

U.S. PATENT DOCUMENTS

460,103 A * 9/1891 Banghart A44C 9/00
63/26
D137,409 S * 3/1944 Granat D11/36
D315,698 S * 3/1991 Abraham D11/34
D427,539 S * 7/2000 Bulgari D11/35
D489,021 S * 4/2004 Bondanza D11/36
D531,925 S * 11/2006 Burrest, Jr. D11/35

D597,438 S * 8/2009 Bulgari D11/35
D598,802 S * 8/2009 Bulgari D11/35
D610,034 S * 2/2010 Colombani D11/92
D637,102 S * 5/2011 Papadimitriou D11/35
D683,648 S * 6/2013 Dholakiya D11/34
D784,184 S * 4/2017 Comolli D11/35
D794,497 S * 8/2017 Galli D11/34
D899,958 S * 10/2020 Berka D11/26
D919,471 S * 5/2021 Shah D11/34
D919,475 S * 5/2021 Shah D11/91
D922,238 S * 6/2021 Wachtmeister D11/35
D922,899 S * 6/2021 Ismail D11/35
D946,452 S * 3/2022 Riviere D11/34
D962,110 S * 8/2022 Riviere D11/34

OTHER PUBLICATIONS

[Online] <https://www.ebay.com/itm/175458332762?chn=ps&mkevt=1&mkcid=28&var=474766218631>. Retrieved Jan. 14, 2023.*

* cited by examiner

Primary Examiner — Melanie Pellegrini
(74) *Attorney, Agent, or Firm* — Kearney, McWilliams & Davis, PLLC; William Yarbrough, III

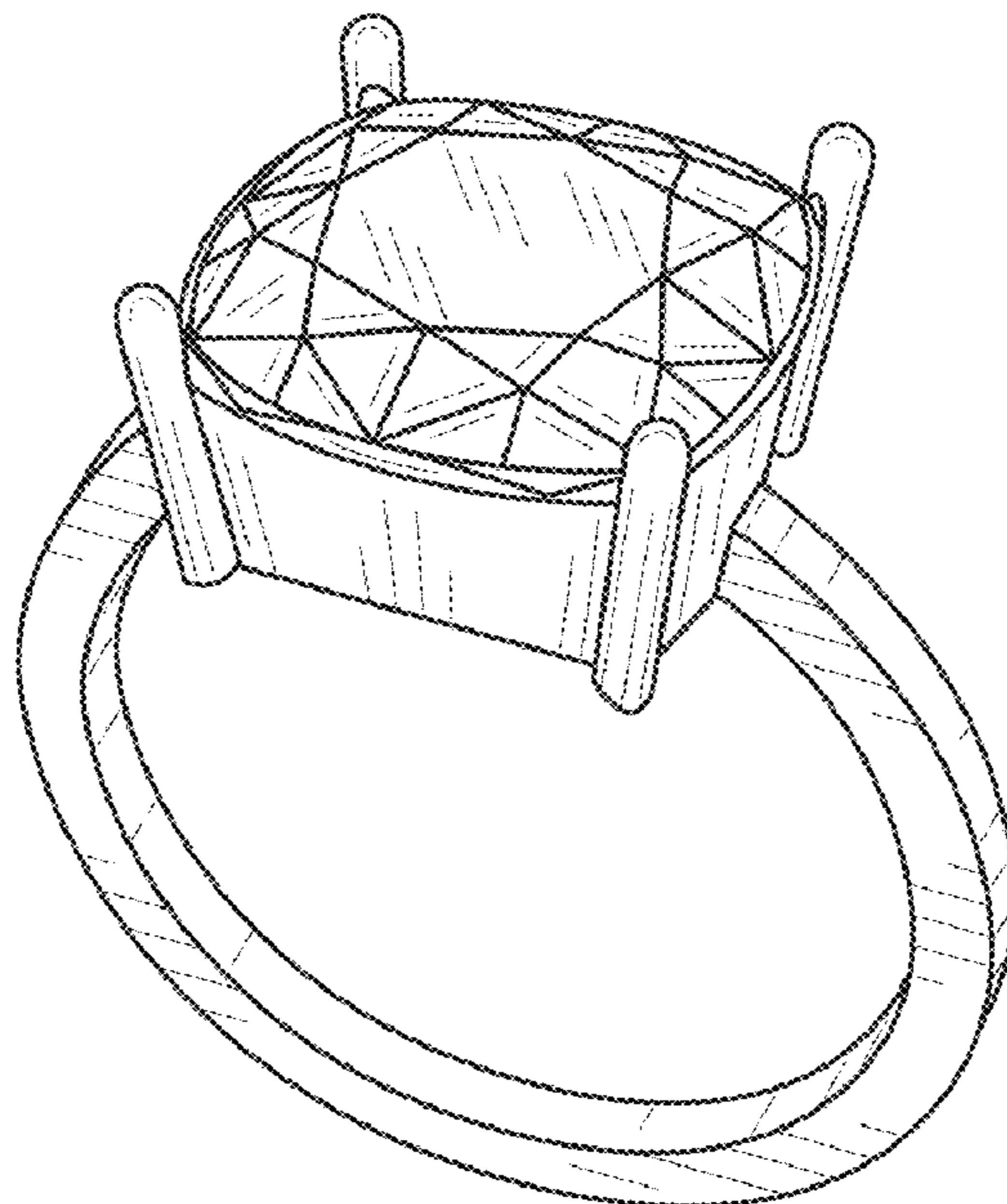
(57) **CLAIM**

The ornamental design for a finger ring with cut stone, as shown and described.

DESCRIPTION

FIG. 1 is a perspective view of a finger ring with cut stone showing my new design;
FIG. 2 is a top view thereof;
FIG. 3 is a bottom view thereof;
FIG. 4 is a front view thereof;
FIG. 5 is a rear view thereof;
FIG. 6 is a left side view thereof; and,
FIG. 7 is a right side view thereof.

1 Claim, 2 Drawing Sheets



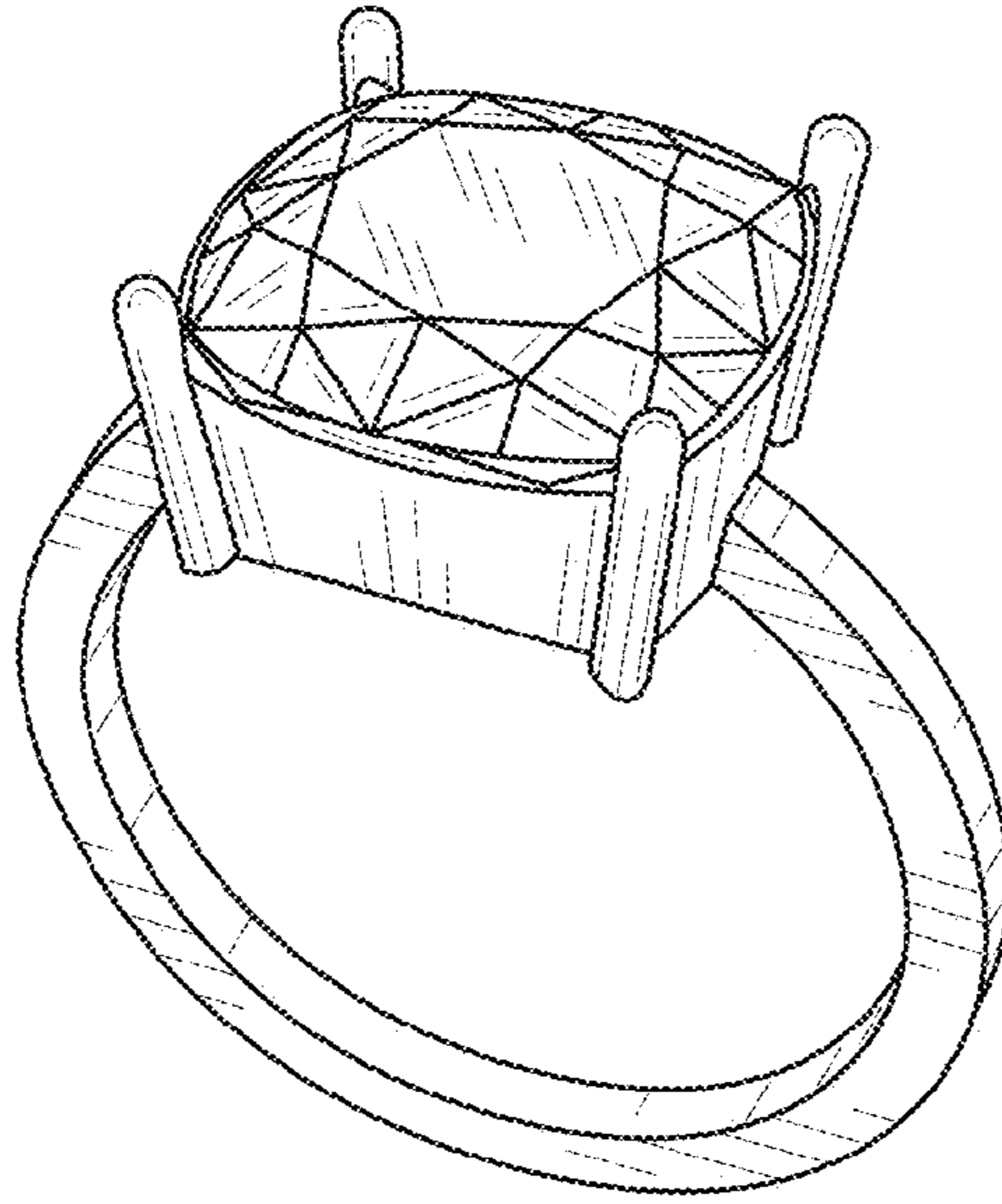


FIG. 1

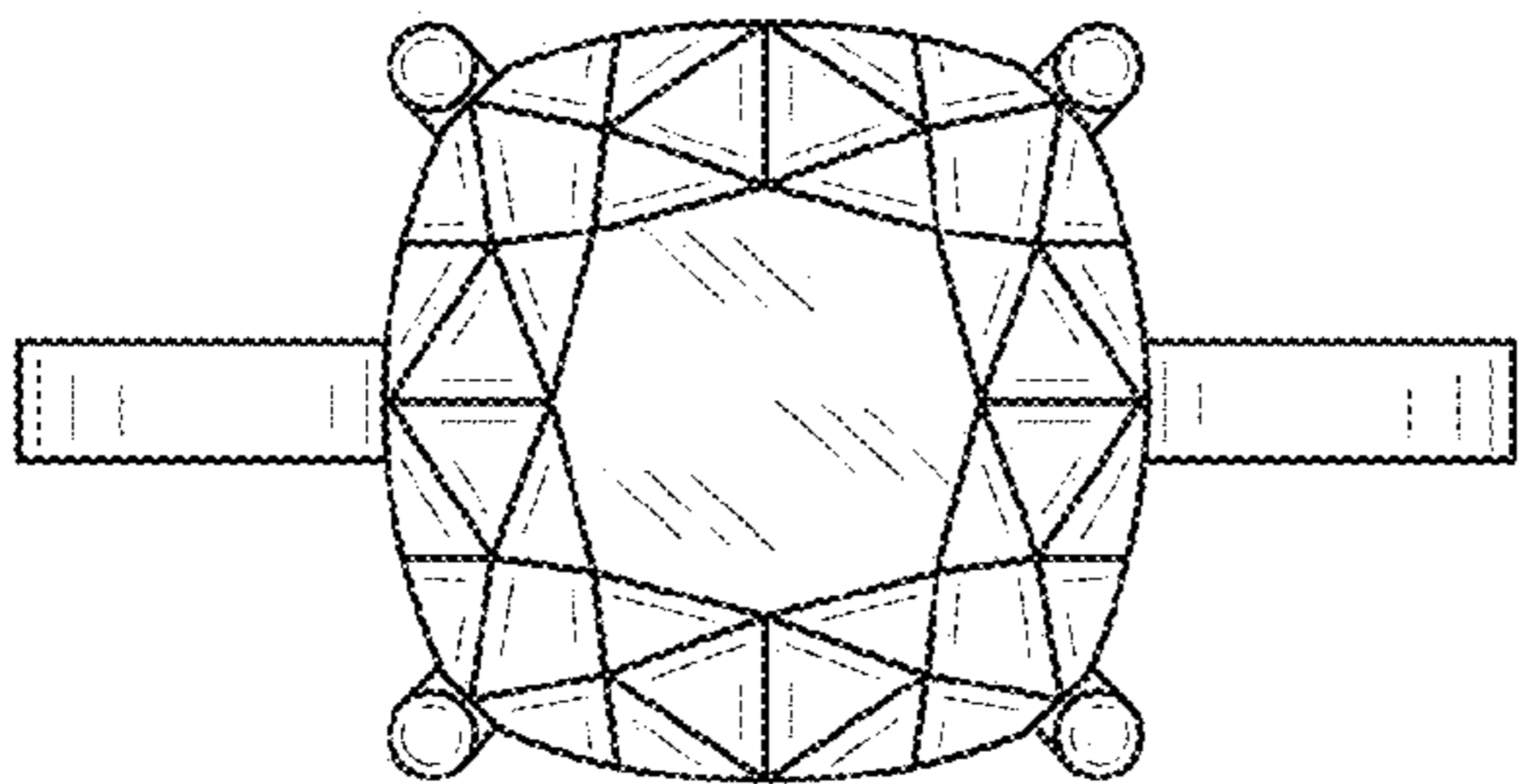


FIG. 2

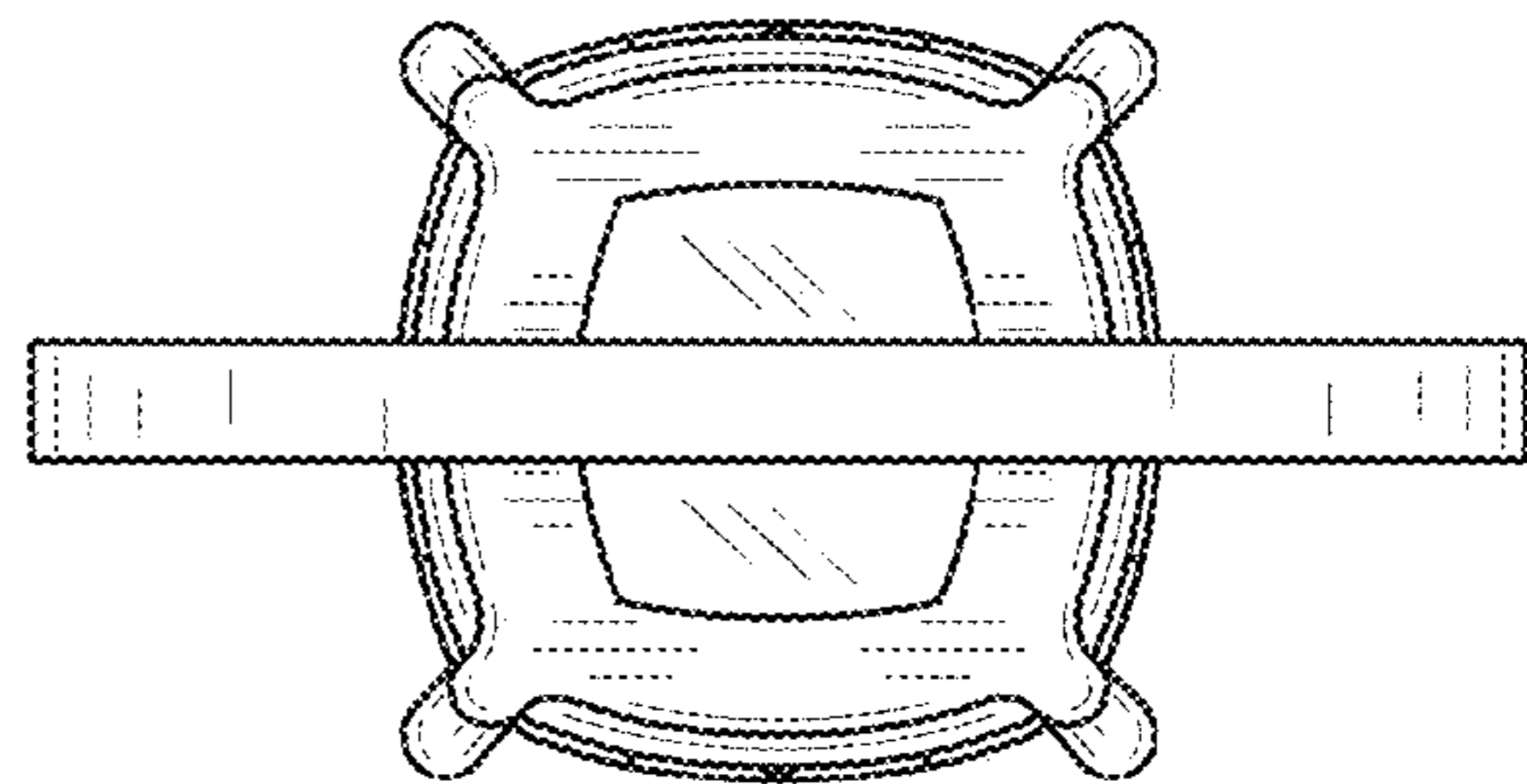


FIG. 3

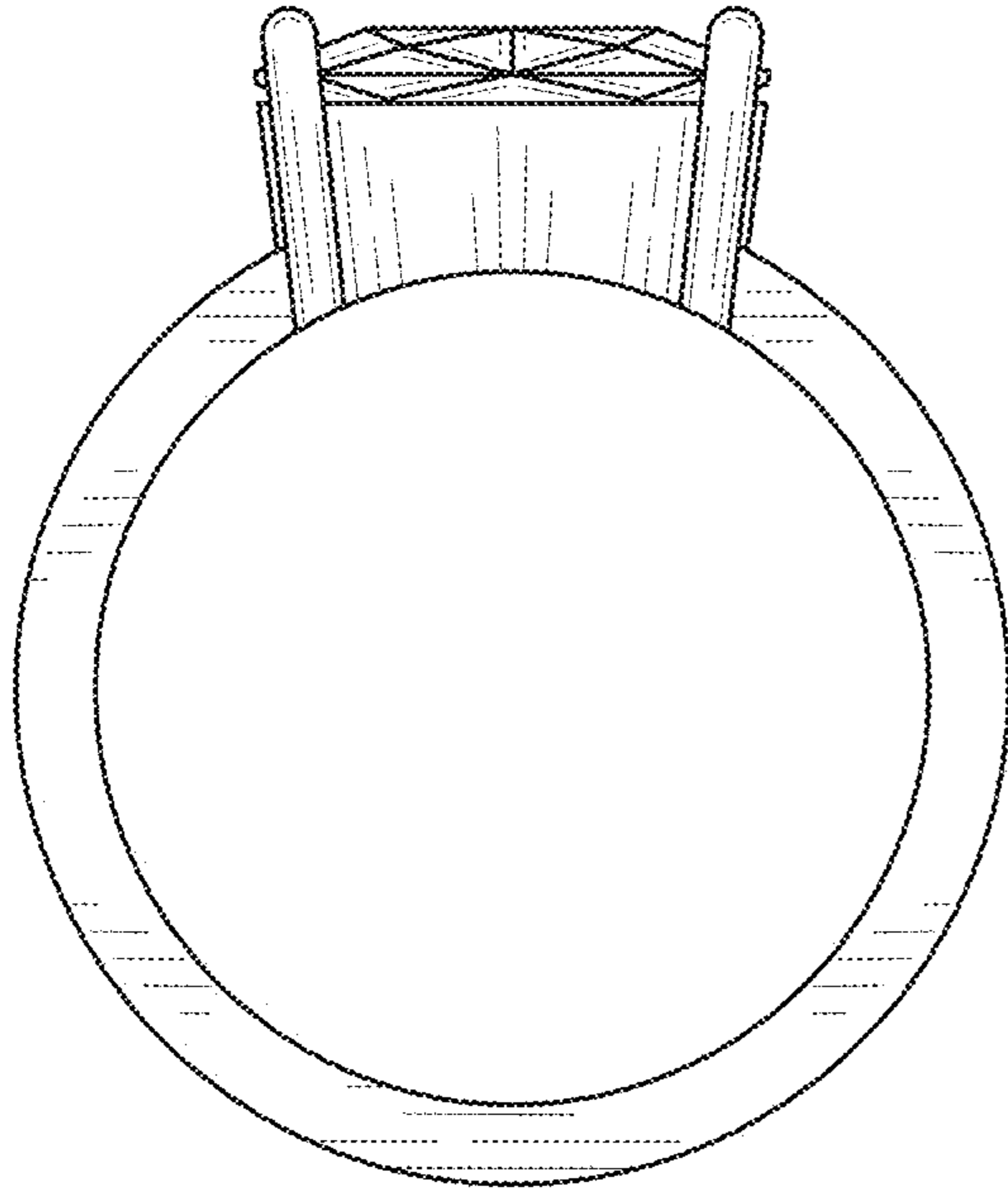


FIG. 4

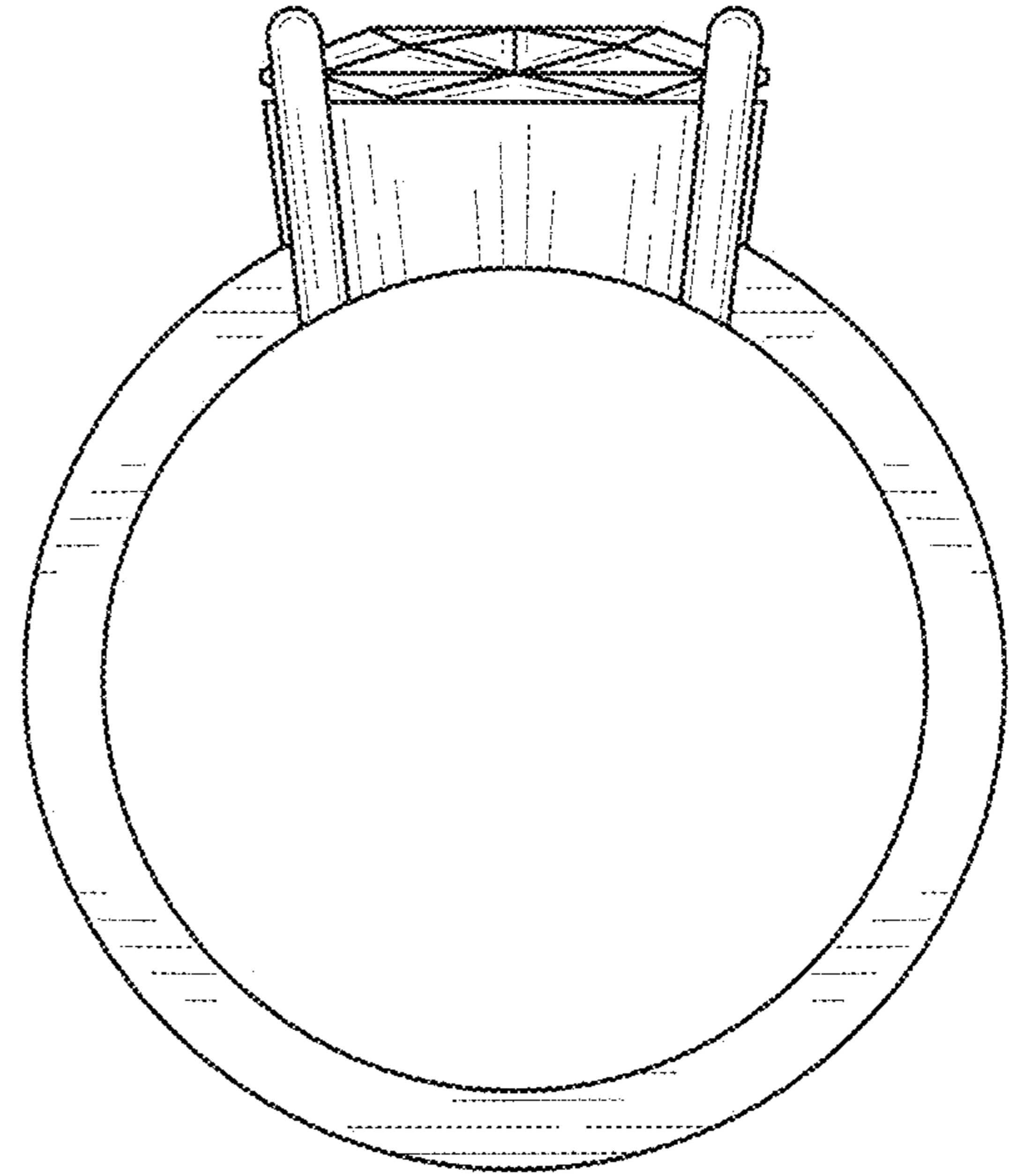


FIG. 5

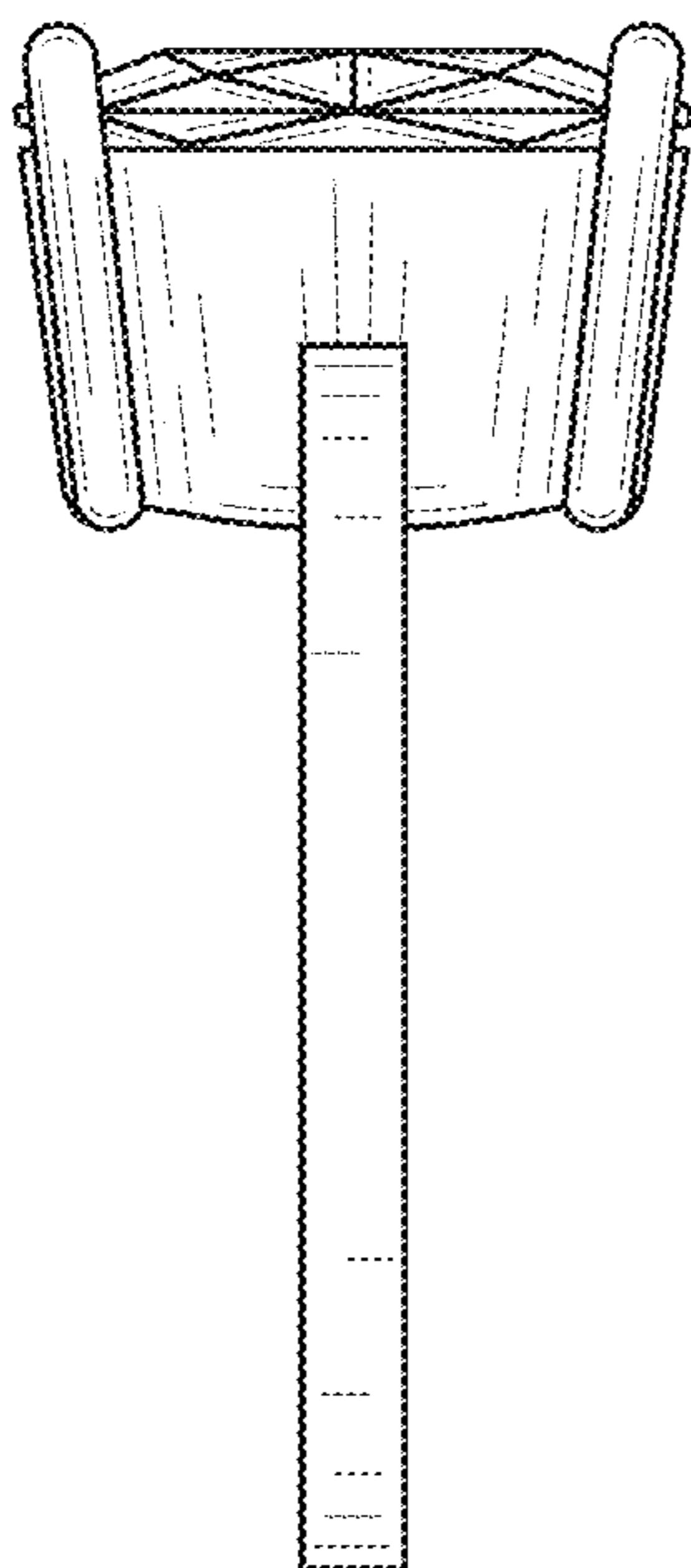


FIG. 6

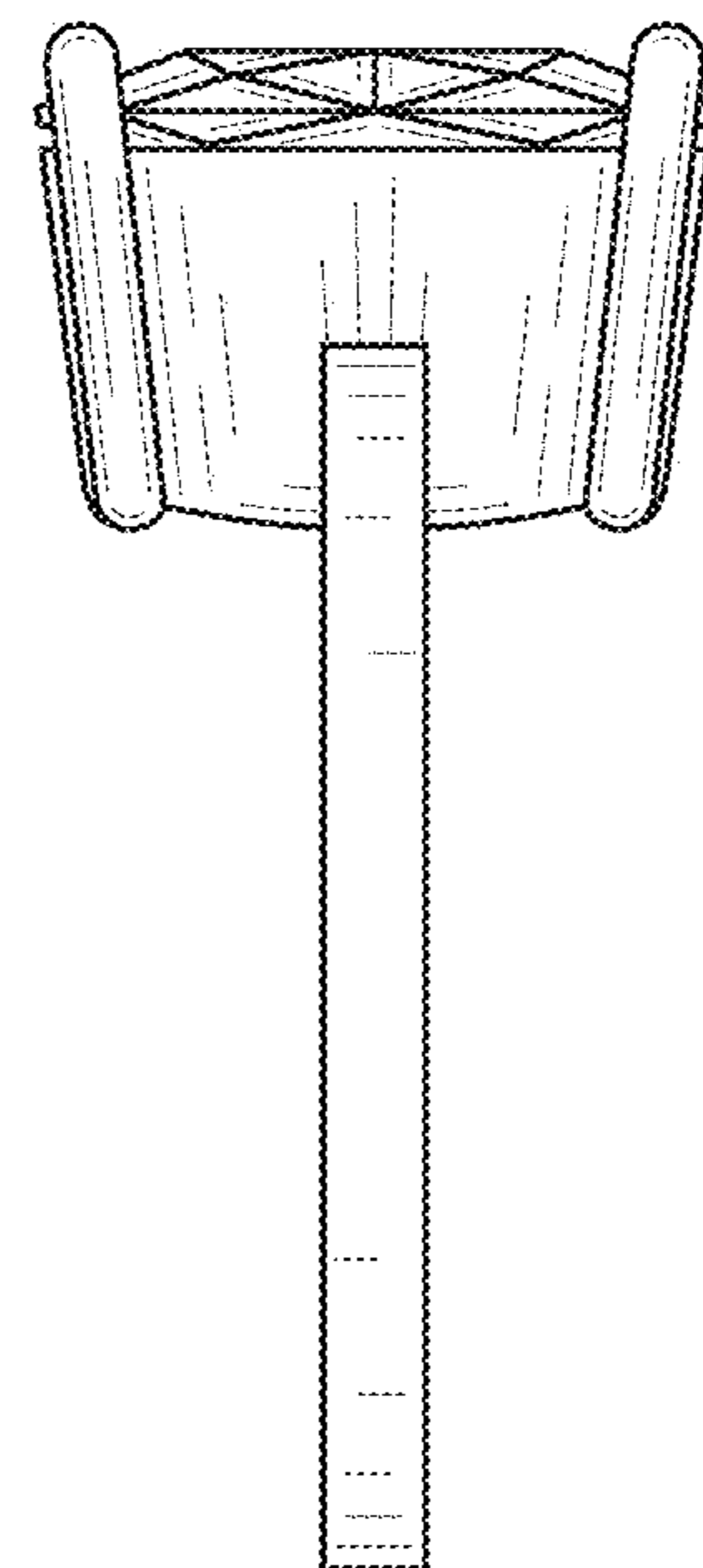


FIG. 7