



US00D988912S

(12) **United States Design Patent**
Friedman

(10) **Patent No.:** **US D988,912 S**
(45) **Date of Patent:** **** Jun. 13, 2023**

(54) **FINGER RING**
(71) Applicant: **Lilia Friedman**, Petah Tikva (IL)
(72) Inventor: **Lilia Friedman**, Petah Tikva (IL)
(**) Term: **15 Years**

D421,405 S * 3/2000 Mestrum D11/26
D446,470 S * 8/2001 Itzkowitz D11/26
D531,925 S * 11/2006 Burrest, Jr. D11/35
D918,082 S * 5/2021 Dandridge D3/215
D951,802 S * 5/2022 Friedman D11/35
D968,757 S * 11/2022 Molan D2/745
D972,447 S * 12/2022 Aqel D14/344
D978,708 S * 2/2023 Friedman D11/26

(21) Appl. No.: **29/813,733**

(22) Filed: **Nov. 1, 2021**

(51) **LOC (14) Cl.** **11-01**

(52) **U.S. Cl.**
USPC **D11/35**

(58) **Field of Classification Search**
USPC D11/1, 3, 4, 26-39, 91, 92
CPC A44C 9/00; A44C 9/0007; A44C 9/0014;
A44C 9/0023; A44C 9/003; A44C
9/0038; A44C 9/0046; A44C 9/0053;
A44C 9/0061; A44C 9/0069; A44C
9/0076; A44C 9/0084; A44C 9/0092;
A44C 9/02; A44C 17/0258; A44C
17/0266; A44C 17/0275; A44C 17/0283;
A44C 17/02; A44C 17/0208; A44C
17/0216; A44C 17/0225; A44C 17/0233;
A44C 17/0241; A44C 17/025; A44C
17/0288; A44C 17/0291; A44C 1/00

See application file for complete search history.

(56) **References Cited**

U.S. PATENT DOCUMENTS

D77,358 S * 1/1929 Herzog et al. D11/35
1,714,732 A * 5/1929 Schneider A44C 5/003
132/295

OTHER PUBLICATIONS

[Online] https://www.amazon.com/Rinfit-Silicone-Wedding-Ring-Women/dp/B08G5B6RFR/ref=sr_1_4?crd=JV9BTPLD2FDF&keywords=lily&qid=1678551768&sprefix=lily%2Caps%2C100&sr=8-4. Retrieved Mar. 11, 2023. Posted Dec. 1, 2019.*

* cited by examiner

Primary Examiner — Melanie Pellegrini

(57) **CLAIM**

The ornamental design for a finger ring, as shown and described.

DESCRIPTION

FIG. 1 is a front perspective view of a finger ring, showing my new design;

FIG. 2 is a front view thereof;

FIG. 3 is a rear view thereof;

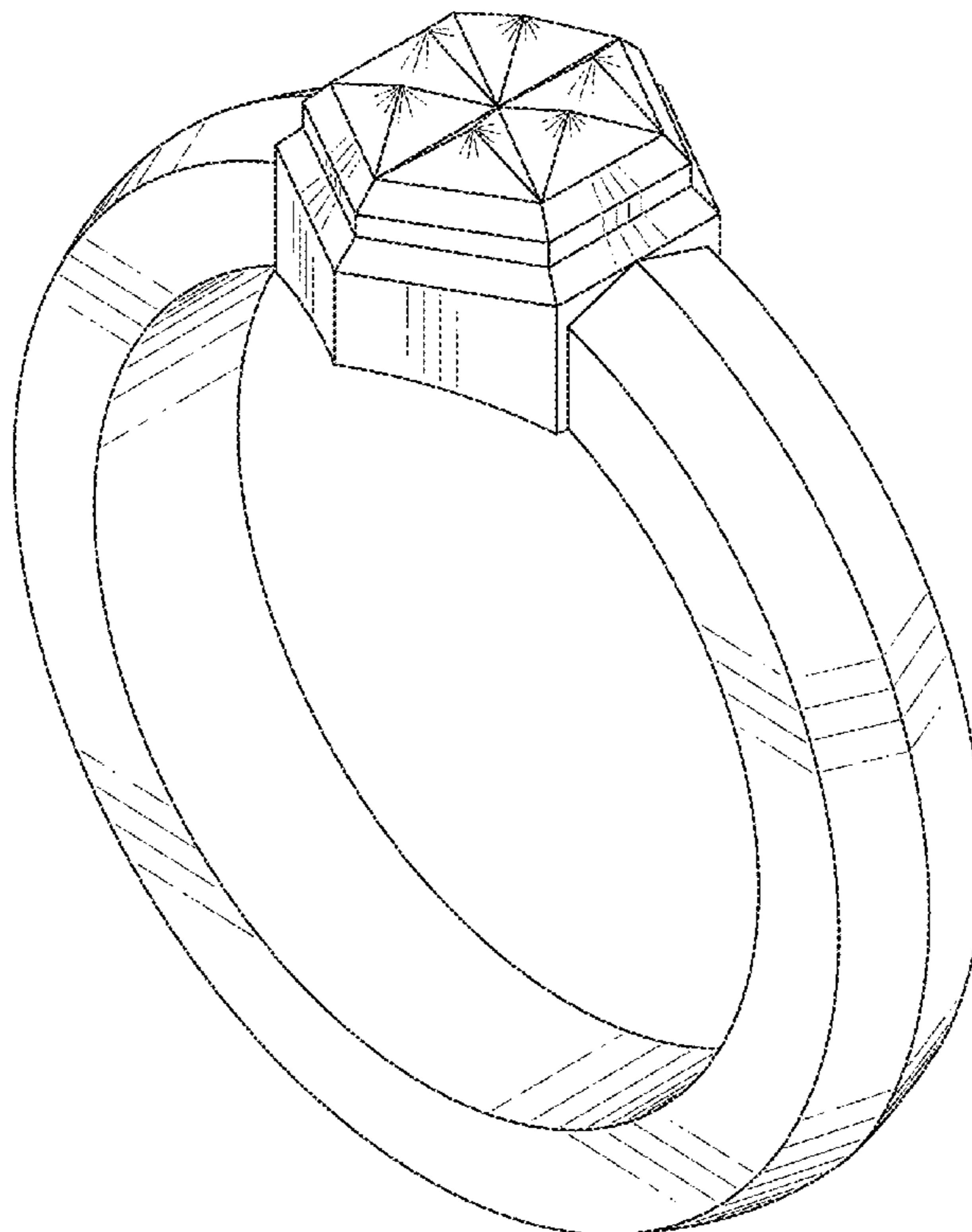
FIG. 4 is a left side view thereof;

FIG. 5 is a right side view thereof;

FIG. 6 is a top view thereof; and,

FIG. 7 is a bottom view thereof.

1 Claim, 7 Drawing Sheets



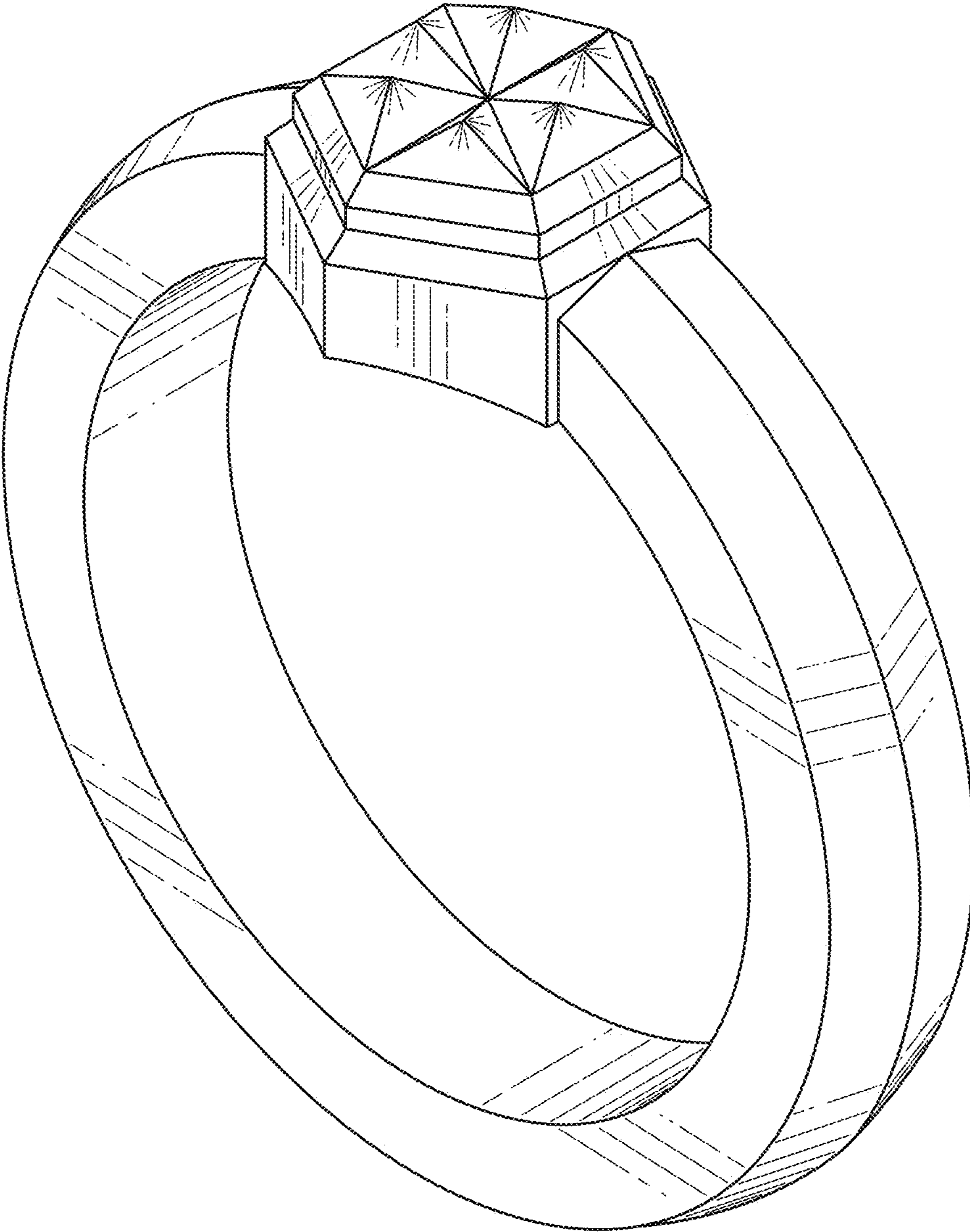


FIG. 1

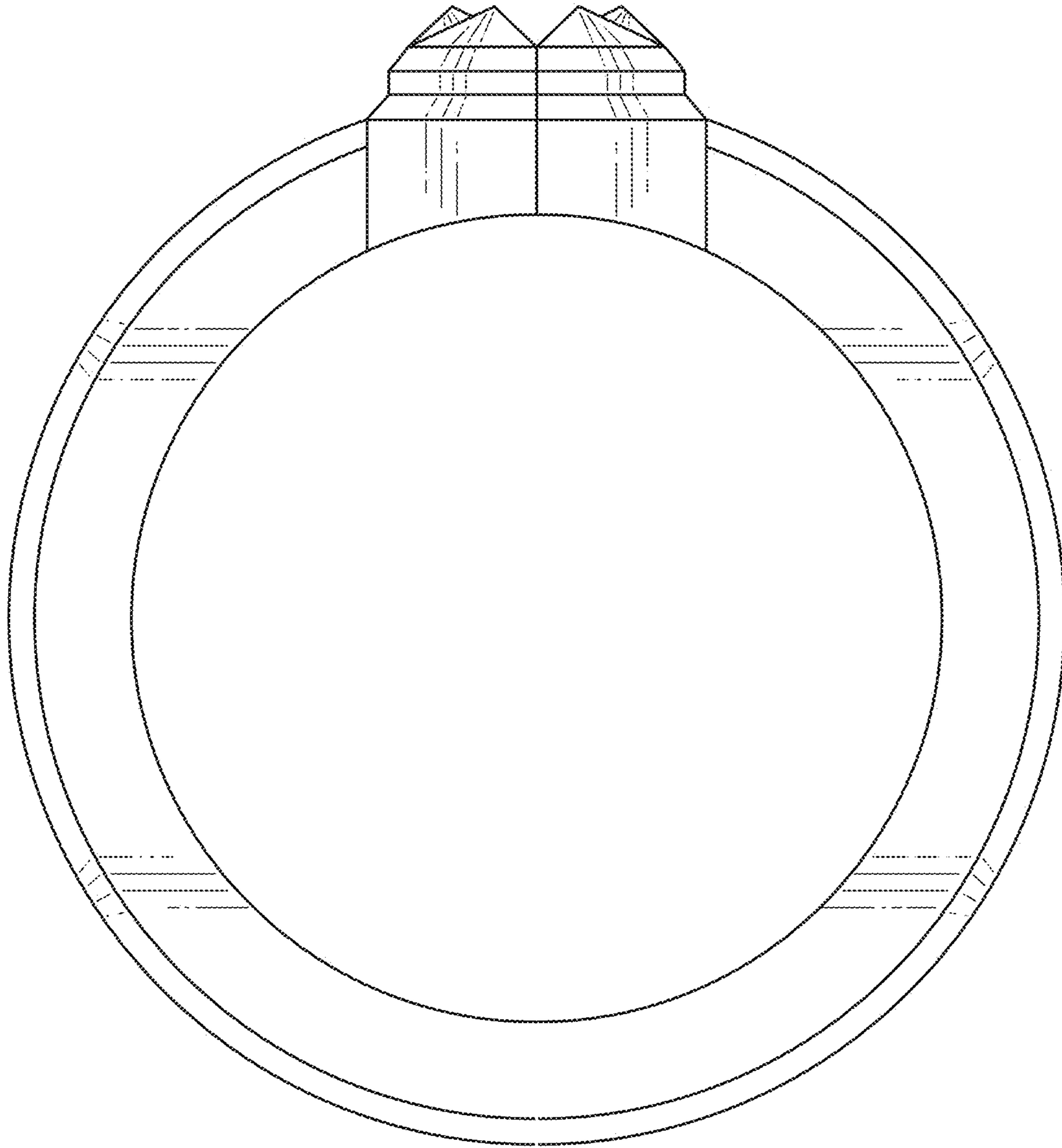


FIG. 2

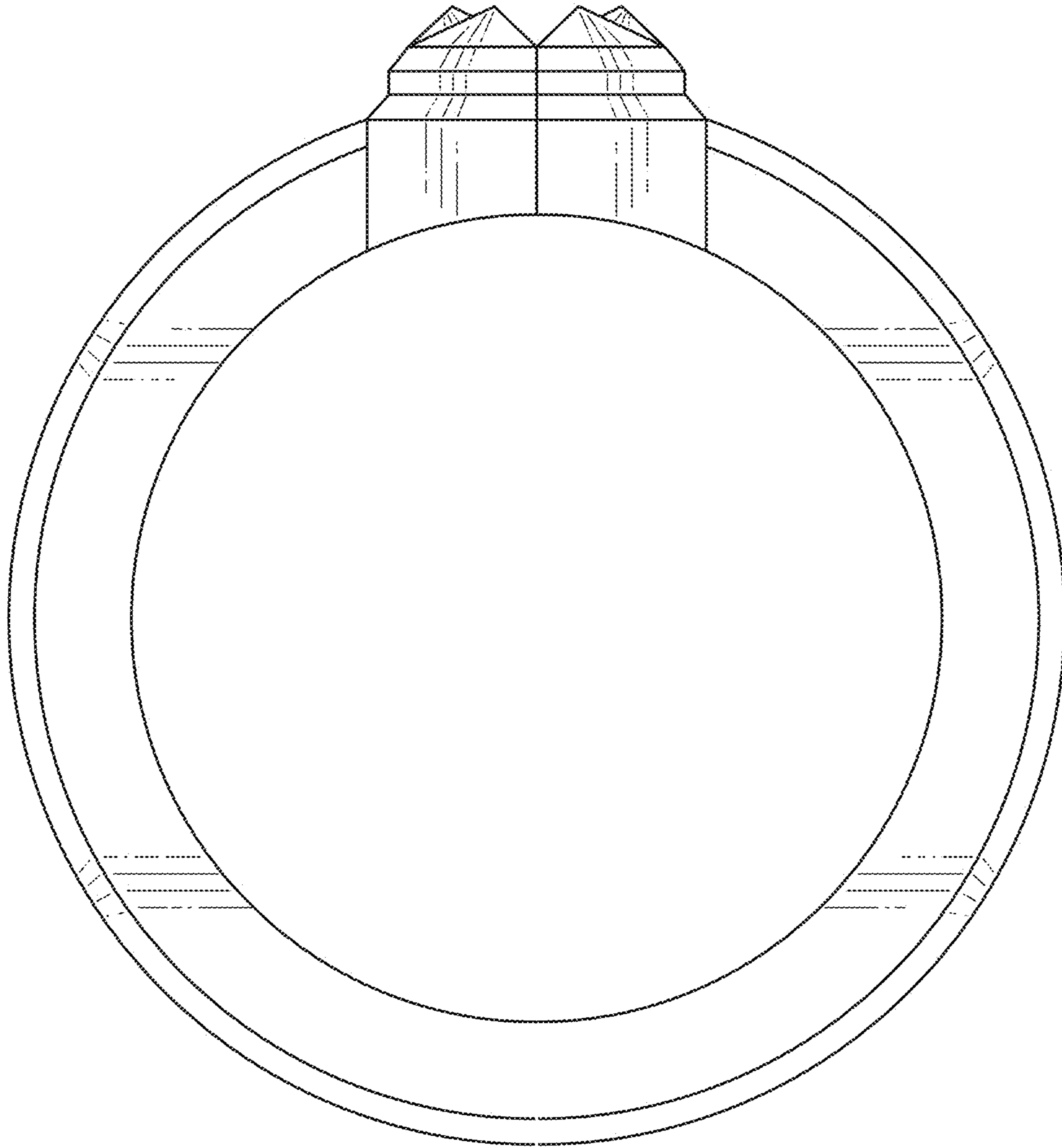


FIG. 3

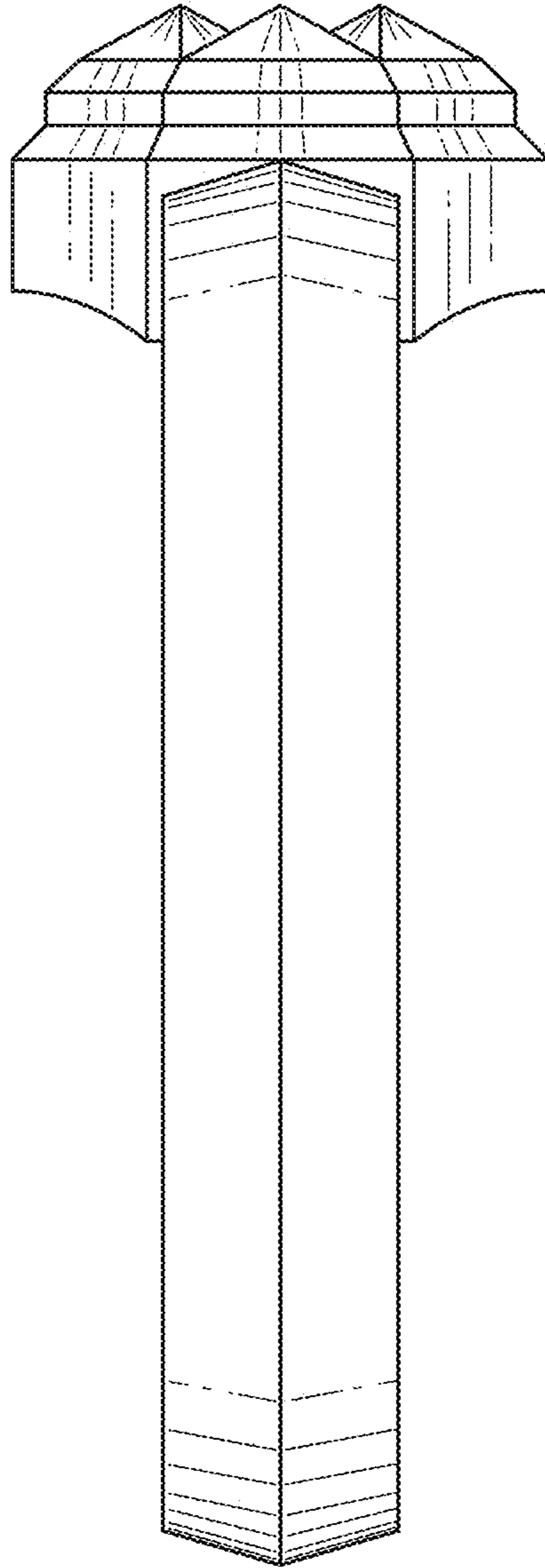


FIG. 4

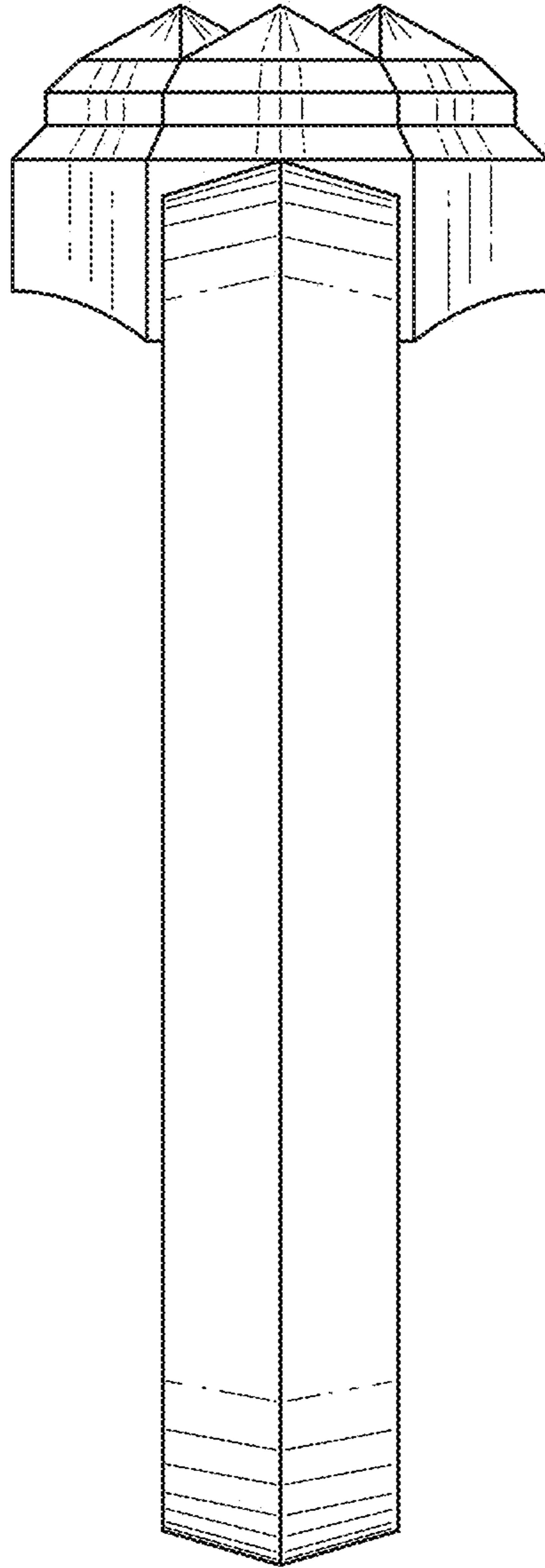


FIG. 5

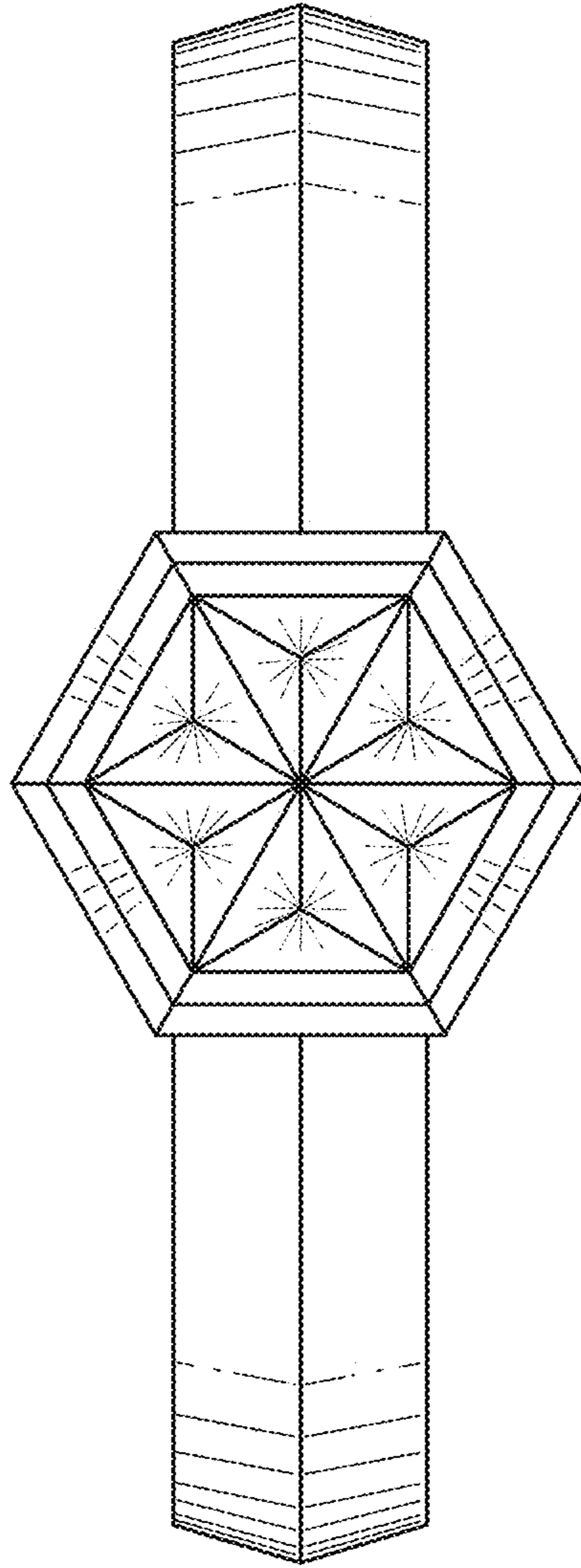


FIG. 6

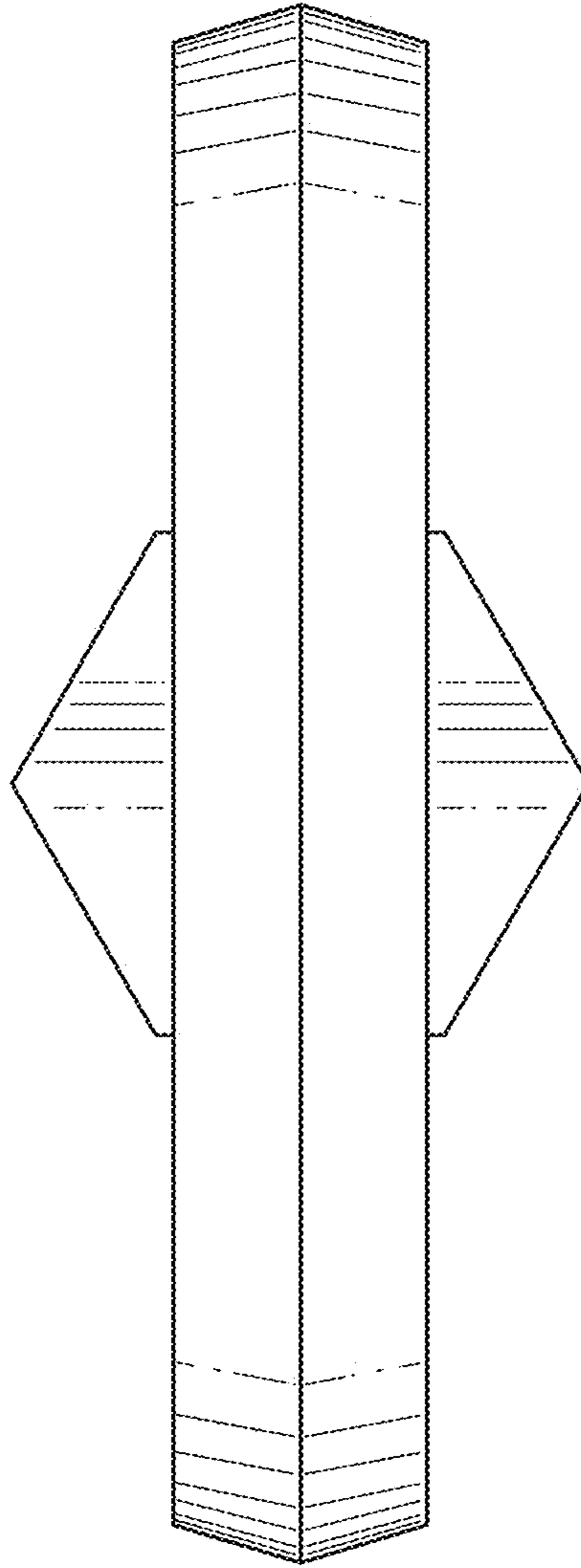


FIG. 7