



US00D988903S

(12) **United States Design Patent**  
**Abdourahim**

(10) **Patent No.:** **US D988,903 S**

(45) **Date of Patent:** **\*\* Jun. 13, 2023**

- (54) **RING**
- (71) Applicant: **Harry Winston SA**, Plan-les-Ouates (CH)
- (72) Inventor: **Delphine Abdourahim**, New York, NY (US)
- (73) Assignee: **Harry Winston S.A.**, Plan-les-Ouates (CH)
- (\*\*) Term: **15 Years**
- (21) Appl. No.: **29/809,055**
- (22) Filed: **Sep. 24, 2021**

D942,299 S *	2/2022	Abdourahim	.....	D11/7
D945,908 S *	3/2022	Yatsugi-Kang	.....	D11/34
D945,911 S *	3/2022	Yatsugi-Kang	.....	D11/34
D945,912 S *	3/2022	Riviere	.....	D11/34
D946,451 S *	3/2022	Riviere	.....	D11/34
D953,917 S *	6/2022	Kwon	.....	D11/34
D953,918 S *	6/2022	Abdourahim	.....	D11/34
D953,920 S *	6/2022	Riviere	.....	D11/34
D953,921 S *	6/2022	Yatsugi-Kang	.....	D11/34
D960,021 S *	8/2022	Yatsugi-Kang	.....	D11/7
D960,030 S *	8/2022	Wuest	.....	D11/34
D960,031 S *	8/2022	Riviere	.....	D11/34
D960,032 S *	8/2022	Yatsugi-Kang	.....	D11/34
D962,111 S *	8/2022	Yatsugi-Kang	.....	D11/34
D962,112 S *	8/2022	Abdourahim	.....	D11/34

(Continued)

(30) **Foreign Application Priority Data**

Apr. 16, 2021 (WO) ..... WIPO103961

(51) **LOC (14) Cl.** ..... **11-01**

(52) **U.S. Cl.**  
USPC ..... **D11/34**

(58) **Field of Classification Search**  
 USPC ..... D11/1, 7, 8, 40, 26-39, 91, 92  
 CPC ..... A44C 9/00; A44C 9/0007; A44C 9/0014;  
 A44C 9/0023; A44C 9/003; A44C  
 9/0038; A44C 9/0046; A44C 9/0053;  
 A44C 9/0061; A44C 9/0069; A44C  
 9/0076; A44C 9/0084; A44C 9/0092;  
 A44C 9/02; A44C 17/0258; A44C  
 17/0266; A44C 17/0275; A44C 17/0283;  
 A44C 17/02; A44C 17/0208; A44C  
 17/0216; A44C 17/0225; A44C 17/0233;  
 A44C 17/0241; A44C 17/025; A44C  
 17/0288; A44C 17/0291; A44C 1/00;  
 A44C 15/00; A44C 15/003  
 See application file for complete search history.

(56) **References Cited**

**U.S. PATENT DOCUMENTS**

D828,212 S *	9/2018	Riviere	.....	D11/34
D934,105 S *	10/2021	Kwon	.....	D11/34

**OTHER PUBLICATIONS**

[Online] <https://www.harrywinston.com/en/products/winston-candy/winston-candy-tsavorite-garnet-ring-with-sapphires-aquamardines-and-diamonds-579890>. Jan. 14, 2023.\*

(Continued)

*Primary Examiner* — Melanie Pellegrini

(74) *Attorney, Agent, or Firm* — Blank Rome LLP

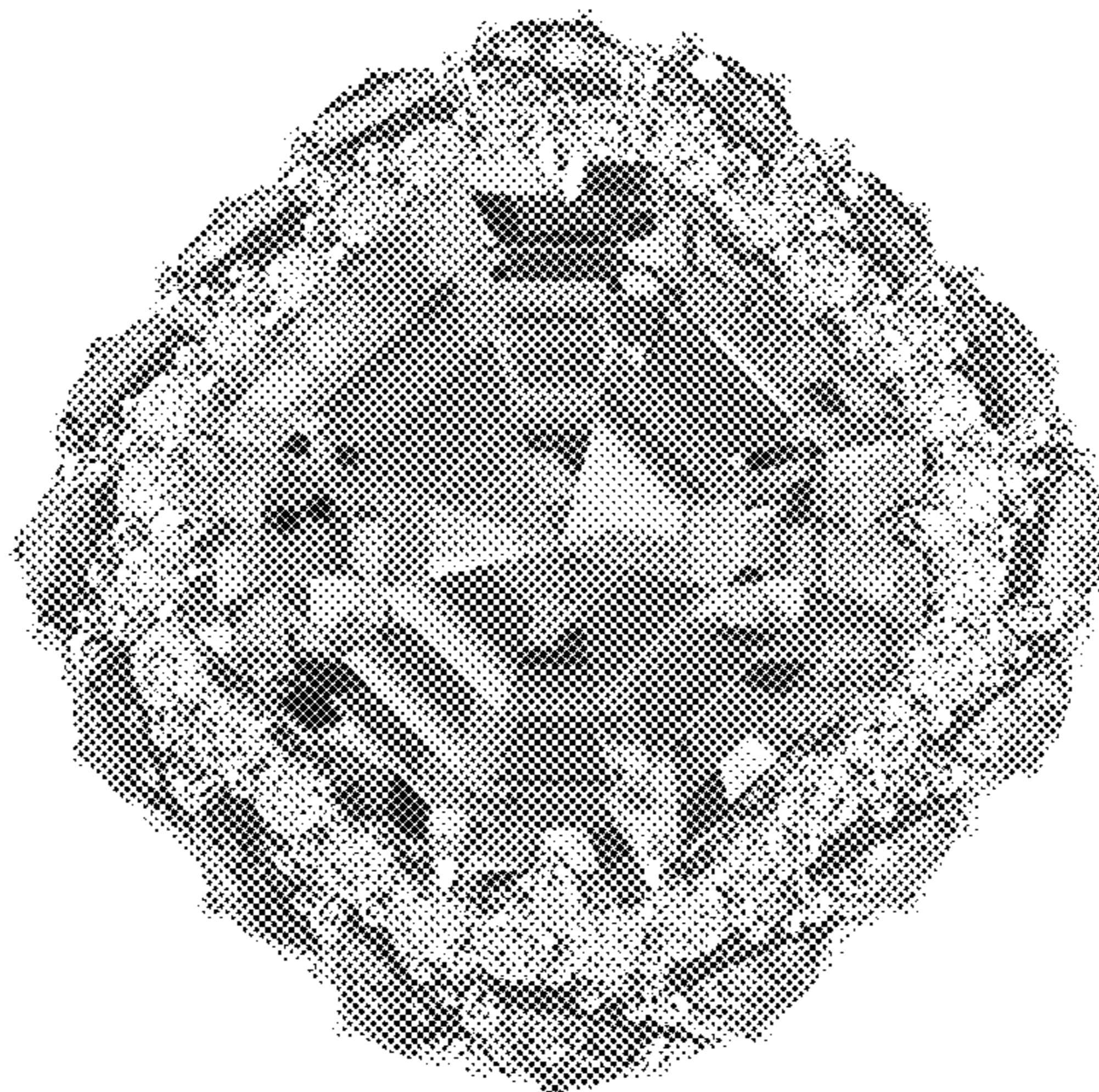
(57) **CLAIM**

The ornamental design for a ring, as shown and described.

**DESCRIPTION**

FIG. 1 is a top view of a ring of my new design;  
 FIG. 2 is a bottom perspective view thereof;  
 FIG. 3 is a right side view thereof;  
 FIG. 4 is a left side view thereof;  
 FIG. 5 is a front view thereof;  
 FIG. 6 is a rear view thereof;  
 FIG. 7 is a top right perspective view thereof; and,  
 FIG. 8 is a bottom left perspective view thereof.

**1 Claim, 8 Drawing Sheets**



(56)

**References Cited**

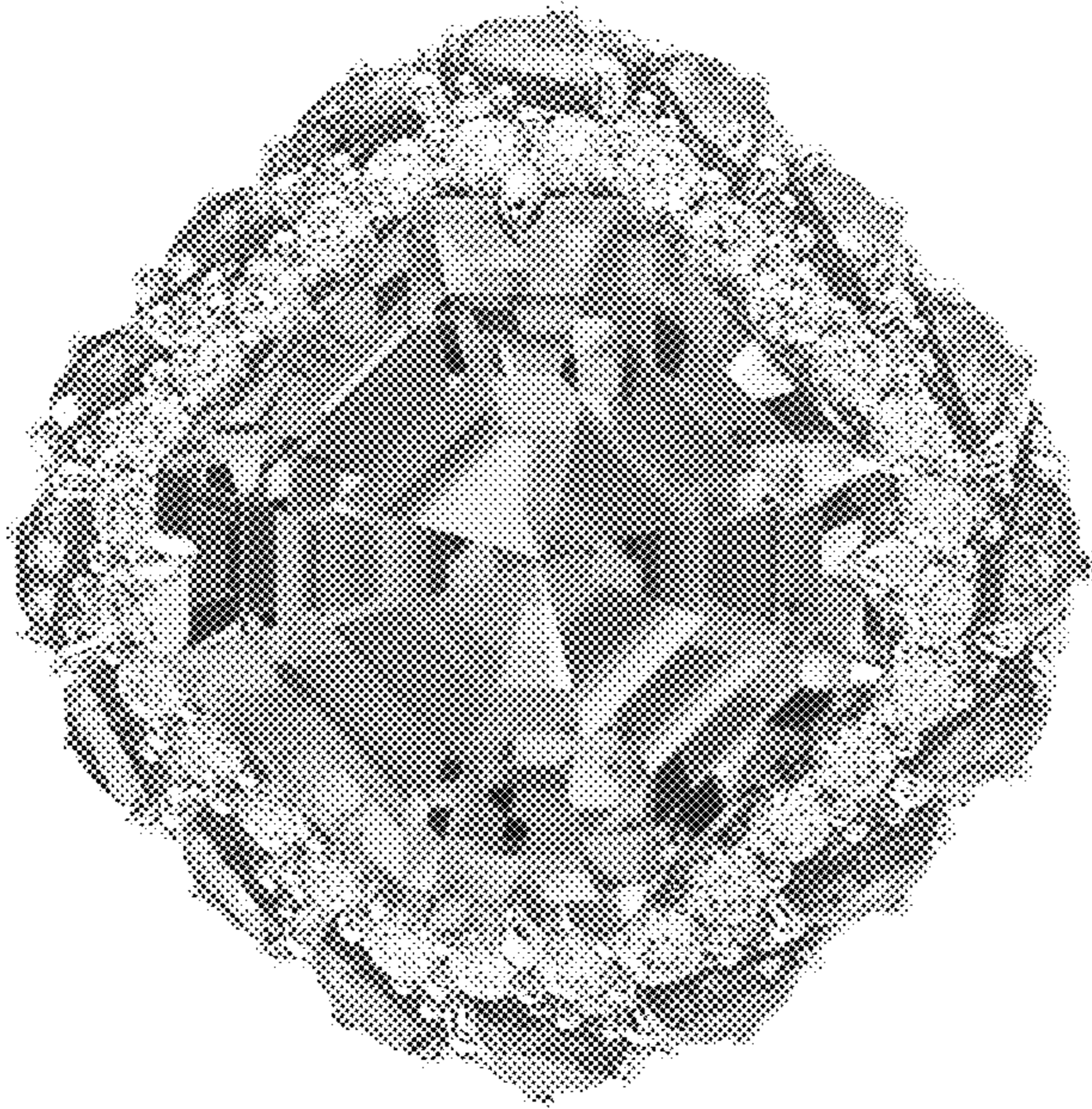
U.S. PATENT DOCUMENTS

D962,811 S	*	9/2022	Wuest .....	D11/34
D962,813 S	*	9/2022	Yatsugi-Kang .....	D11/34
D968,258 S	*	11/2022	Riviere .....	D11/34
D969,006 S	*	11/2022	Yatsugi-Kang .....	D11/34
D969,007 S	*	11/2022	Wuest .....	D11/34
D971,771 S	*	12/2022	Wuest .....	D11/34
D972,436 S	*	12/2022	Abdourahim .....	D11/34
D972,437 S	*	12/2022	Riviere .....	D11/34
D972,438 S	*	12/2022	Yatsugi-Kang .....	D11/34
D972,444 S	*	12/2022	Yatsugi-Kang .....	D11/34
D972,445 S	*	12/2022	Yatsugi-Kang .....	D11/34

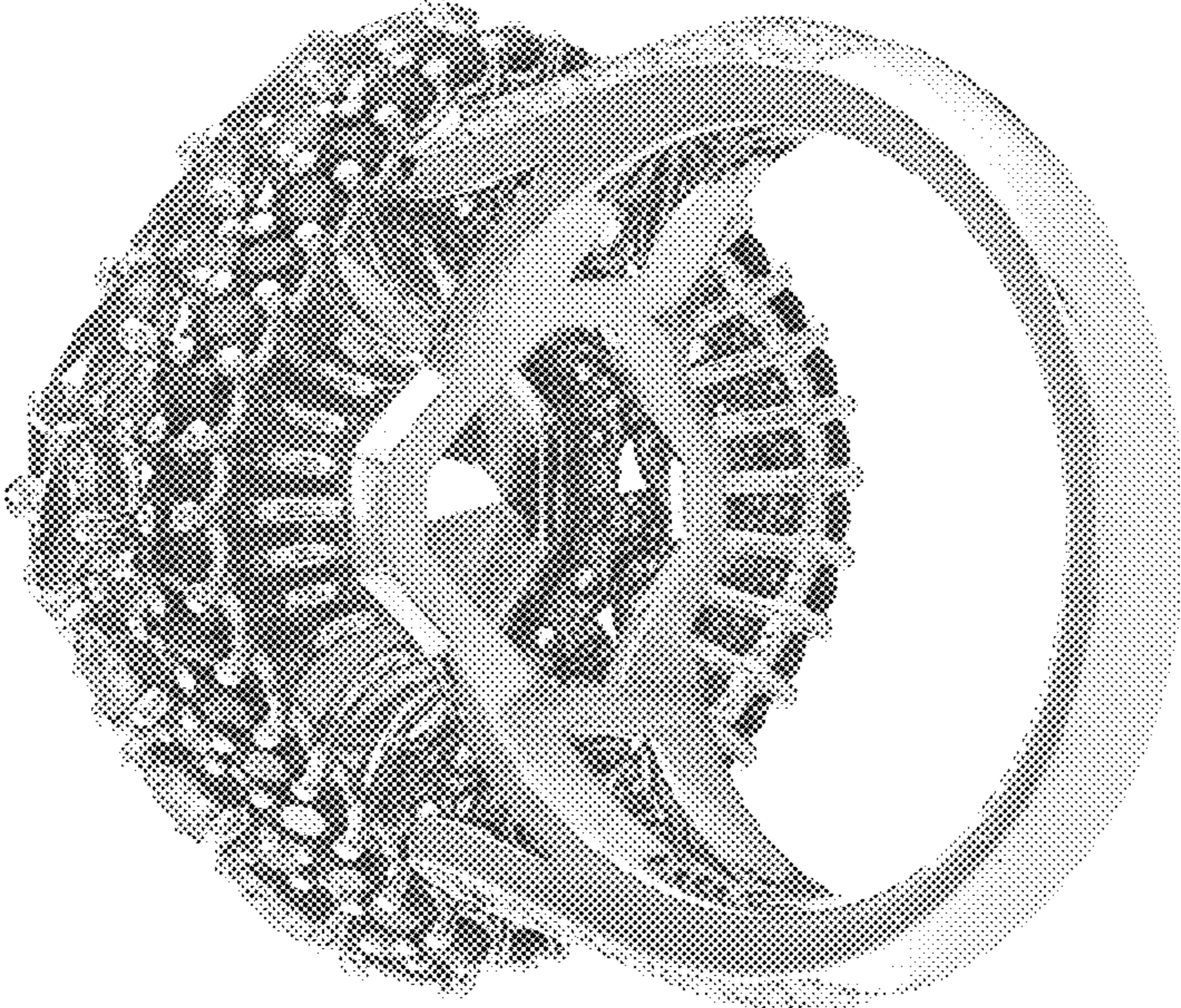
OTHER PUBLICATIONS

[Online] <https://www.harrywinston.com/en/products/winston-candy/winston-candy-tsavorite-garnet-ring-with-sapphires-spessartite-garnets-and-diamonds-620005>. Jan. 14, 2023.\*

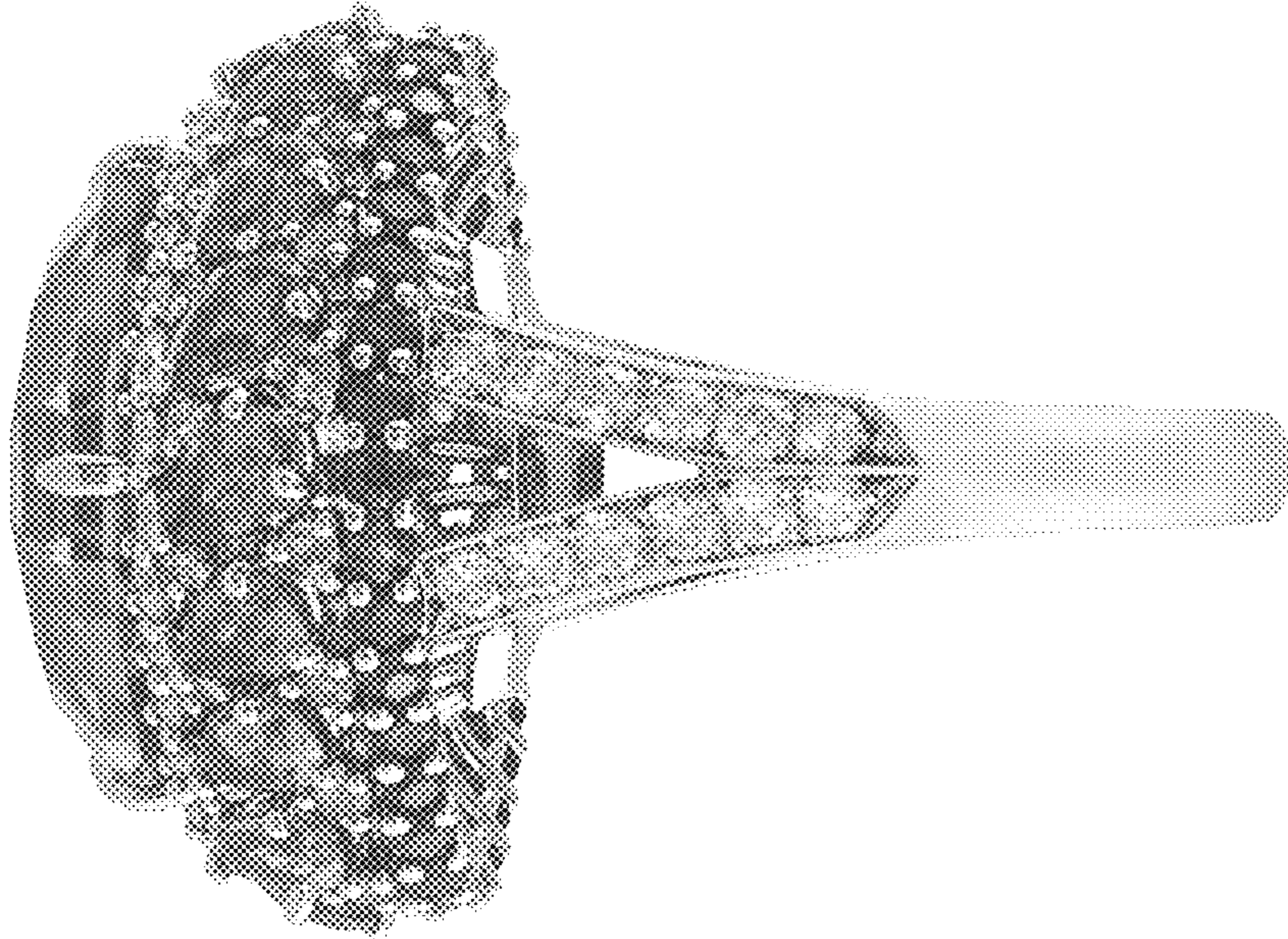
\* cited by examiner



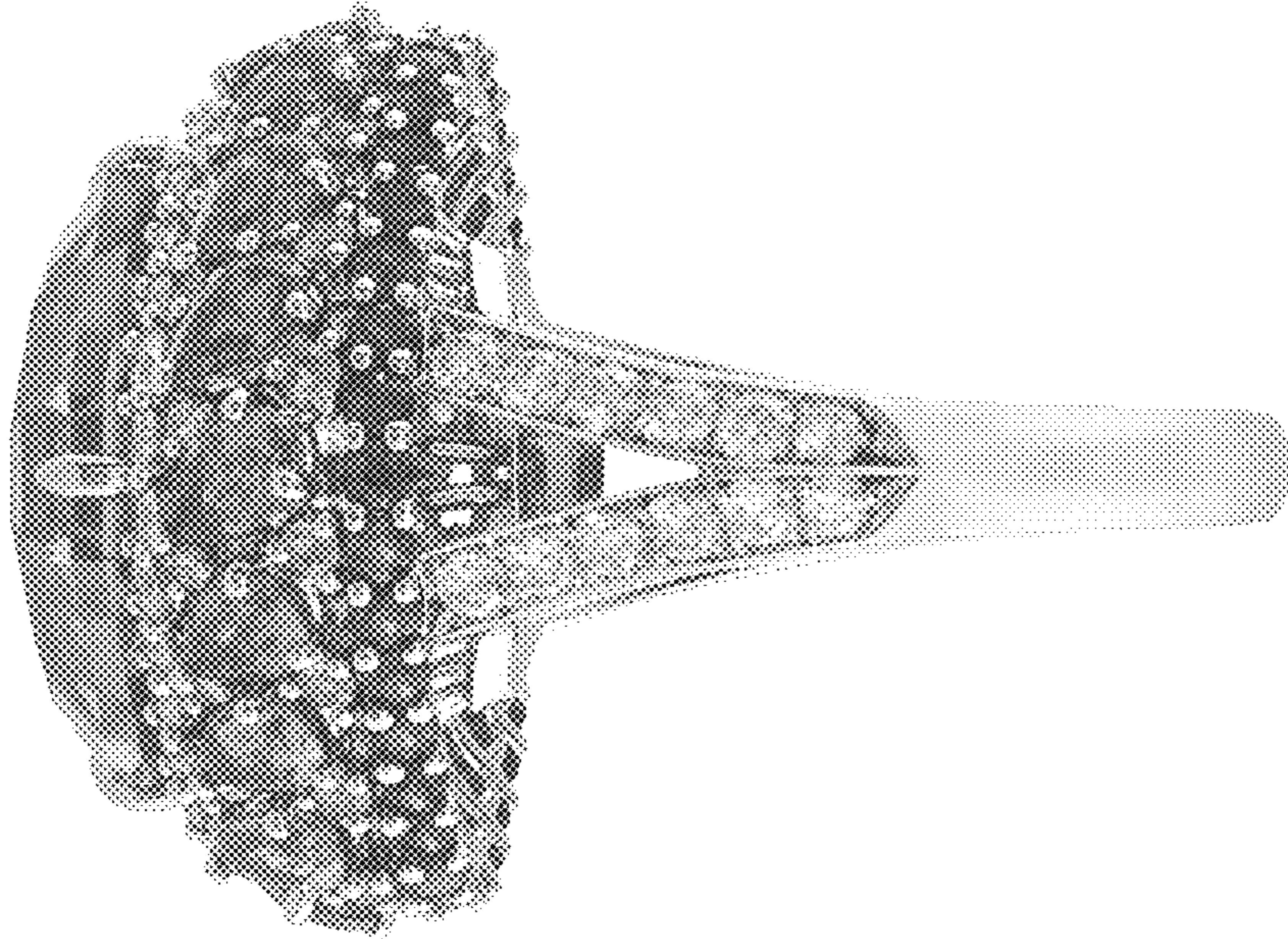
**FIG. 1**



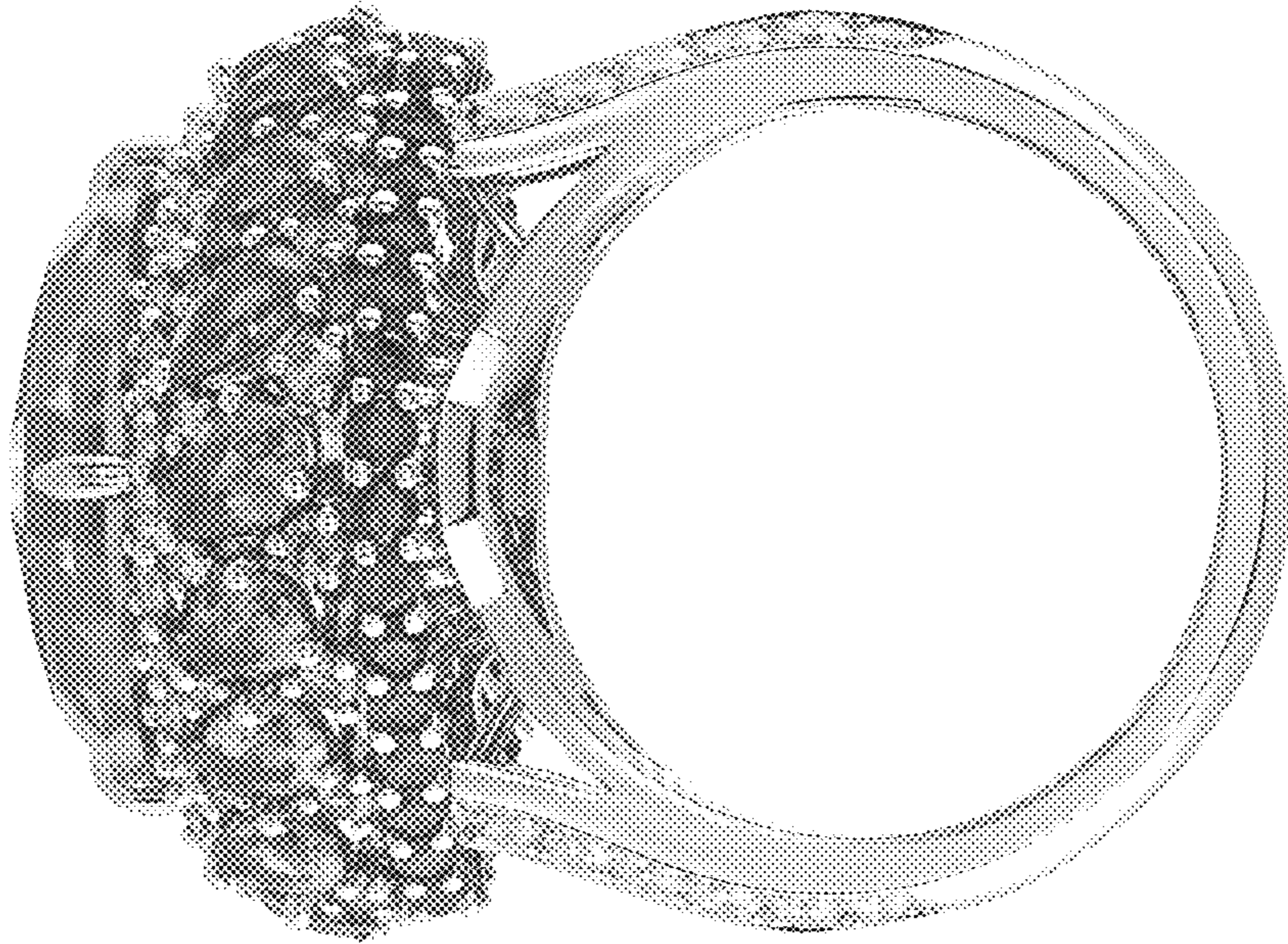
**FIG. 2**



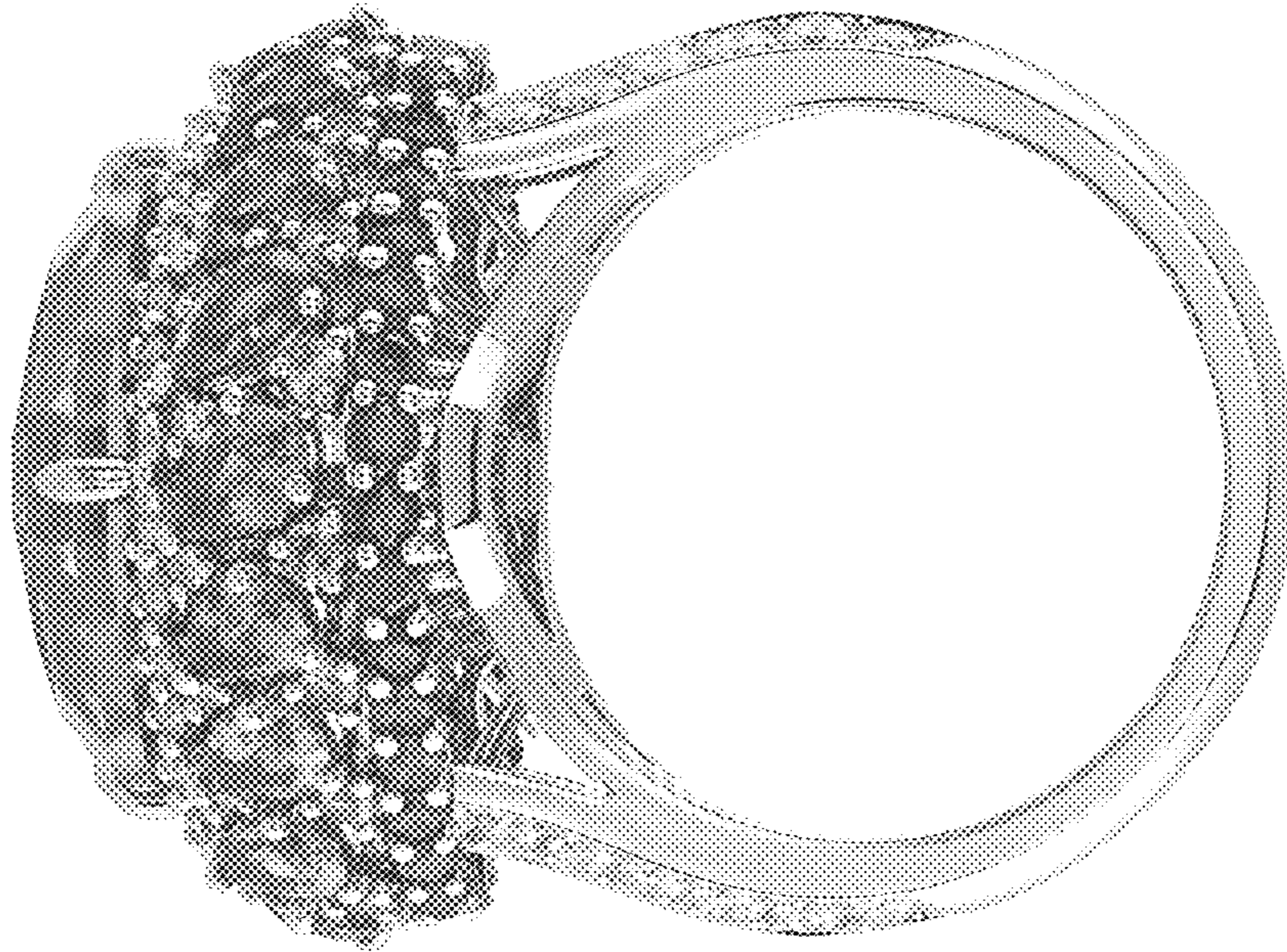
**FIG. 3**



**FIG. 4**

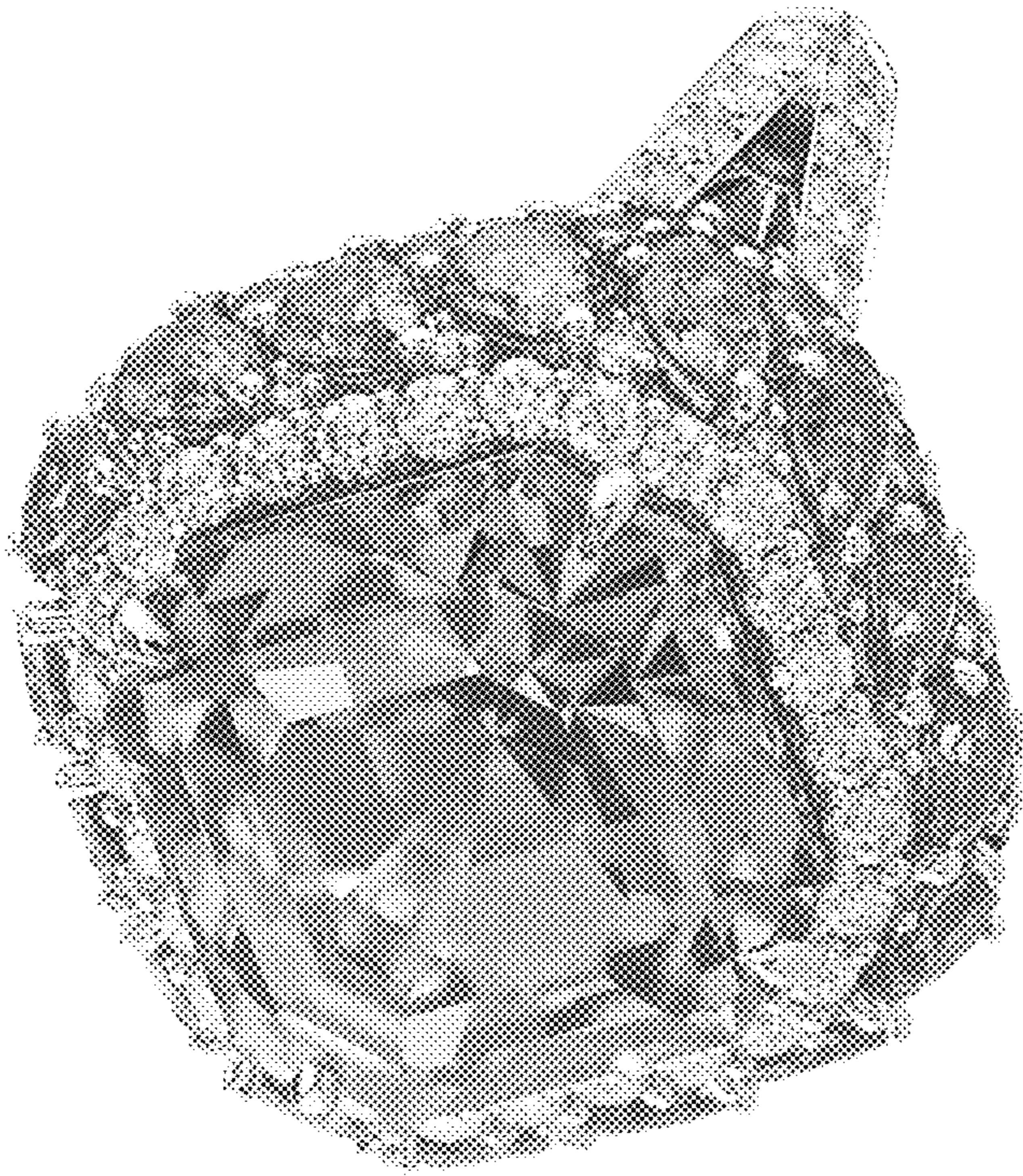


**FIG. 5**



**FIG. 6**





**FIG. 7**



**FIG. 8**