



US00D988901S

(12) **United States Design Patent**
Wang

(10) **Patent No.:** **US D988,901 S**
(45) **Date of Patent:** **** Jun. 13, 2023**

(54) **WATCH BAND**

(71) Applicant: **Lu Wang**, Yibin (CN)

(72) Inventor: **Lu Wang**, Yibin (CN)

(**) Term: **15 Years**

(21) Appl. No.: **29/821,846**

(22) Filed: **Jan. 4, 2022**

(51) **LOC (14) Cl.** **11-01**

(52) **U.S. Cl.**
USPC **D11/3**

(58) **Field of Classification Search**
USPC D11/1-18; D14/344; D10/32; D24/167
CPC A44C 11/00; A44C 11/005; A44C 11/007;
A44C 13/00; A44C 5/02; A44C 5/027
See application file for complete search history.

(56) **References Cited**

U.S. PATENT DOCUMENTS

239,361	A *	3/1881	Bissinger	A44C 5/0092
					D11/13
1,701,339	A *	2/1929	Roy	A44C 5/145
					D10/32
1,791,037	A *	2/1931	Otten et al.	A44C 5/24
					24/71 J
1,806,213	A *	5/1931	Nelson	A44C 5/22
					24/323
2,434,383	A *	1/1948	Benjamin	A44C 5/0061
					D11/4
D162,429	S *	3/1951	Moanfeldt	D11/12
3,422,507	A *	1/1969	Ikeda	A44C 5/22
					D11/3
3,665,564	A *	5/1972	Oka	A44C 5/24
					D11/4
D342,038	S *	12/1993	Burgener	D11/12
D456,722	S *	5/2002	Chan	D10/32
D593,877	S *	6/2009	Jorst	D10/32
D764,340	S *	8/2016	Akana	D11/3

D793,271	S	8/2017	Cerrato	
D800,007	S	10/2017	Tibi	
D813,076	S *	3/2018	Akana D11/5
D843,875	S *	3/2019	Akana D11/34
D857,542	S *	8/2019	Sun D11/3
D873,695	S *	1/2020	Chen D11/3
D882,445	S *	4/2020	Liao D11/3
10,729,210	B1 *	8/2020	Sano A44C 5/246
D896,677	S *	9/2020	Wang D11/3
D922,894	S *	6/2021	Akana D11/5
D929,884	S *	9/2021	Yi D11/3
D939,971	S *	1/2022	Johansen D10/32

(Continued)

Primary Examiner — Llorellys Martinez

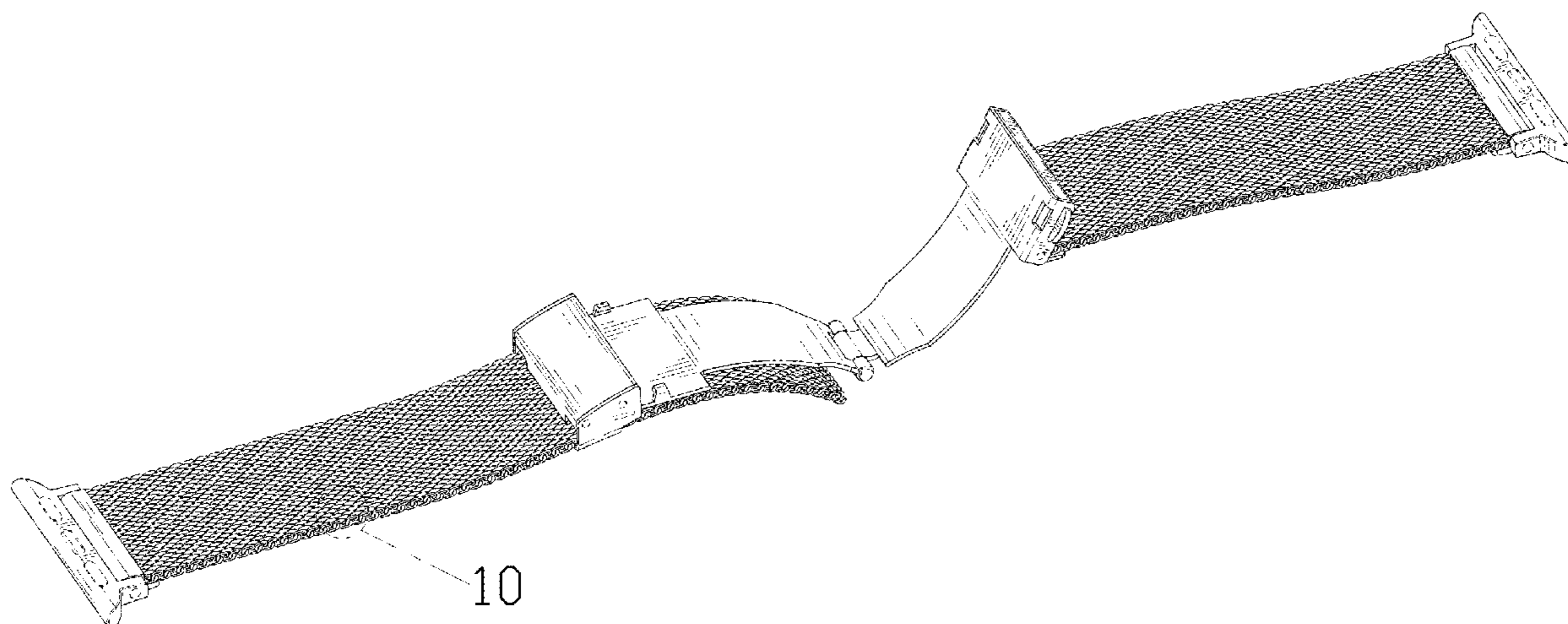
(57) **CLAIM**

The ornamental design for a watch band, as shown and described.

DESCRIPTION

FIG. 1 is a perspective view of a watch band showing my new design;
 FIG. 2 is another perspective view thereof;
 FIG. 3 is a front elevational view thereof;
 FIG. 4 is a rear elevational view thereof;
 FIG. 5 is a left side elevational view thereof;
 FIG. 6 is a right side elevational view thereof;
 FIG. 7 is a top plan view thereof;
 FIG. 8 is a bottom plan view thereof;
 FIG. 9 is a perspective view of the watch band where the watch band is in a configuration of use;
 FIG. 10 is an enlarged view of portion 10 shown in FIG. 1; and,
 FIG. 11 is an enlarged view of portion 11 shown in FIG. 2.
 The dash-dash broken lines in the drawings depict portions of the watch band that form not part of the claimed design. The dot-dash broken lines of FIGS. 1, 2, 10 and 11 are included to show a partially enlarged view only and form no part of the claimed design.

1 Claim, 11 Drawing Sheets



(56)

References Cited

U.S. PATENT DOCUMENTS

D940,583 S * 1/2022 Akana D11/5
D959,318 S * 8/2022 Qin D11/3
D971,053 S * 11/2022 Yi D11/12
D974,216 S * 1/2023 Yi D11/3
D974,217 S * 1/2023 Yi D11/12
D975,573 S * 1/2023 Cao D11/3
2012/0110792 A1 * 5/2012 Granito A44C 5/246
24/265 EC
2019/0365062 A1 * 12/2019 Kelly A44C 5/2042
2020/0245733 A1 * 8/2020 Kaiser A44C 5/24
2021/0368949 A1 * 12/2021 Prasitkittanai A44C 5/2066

* cited by examiner

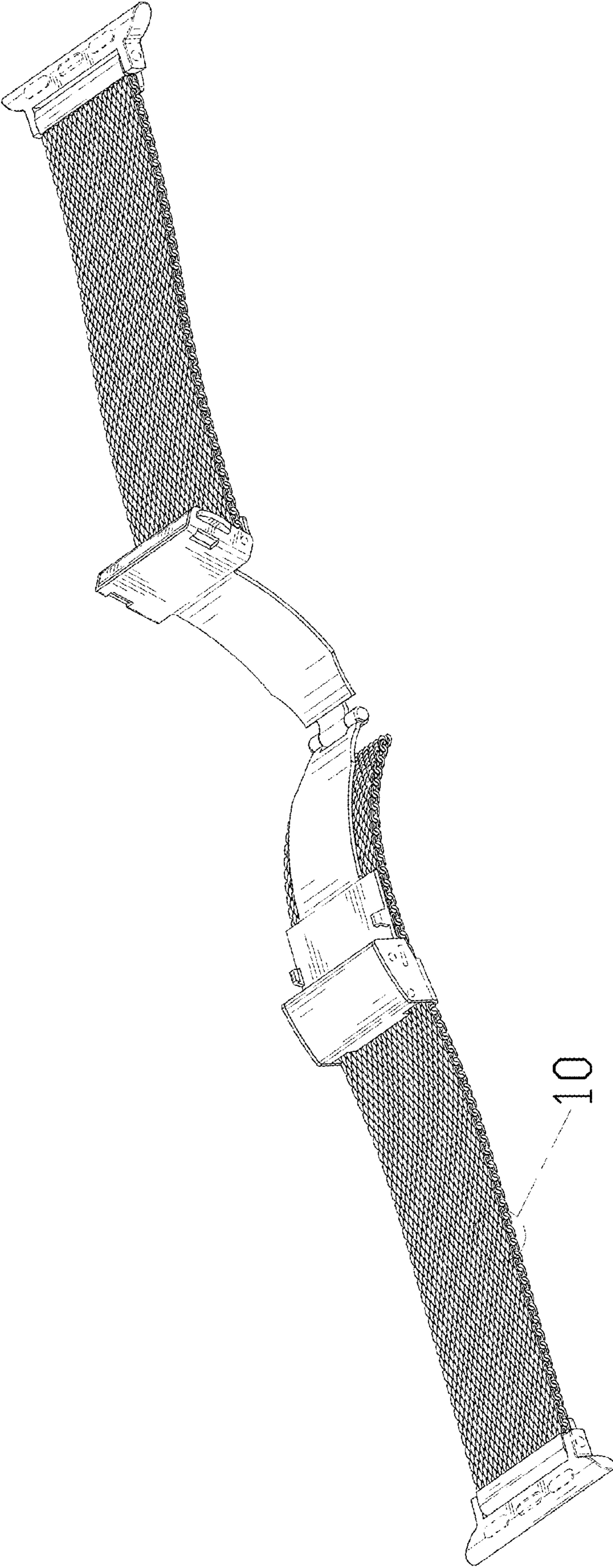


FIG. 1

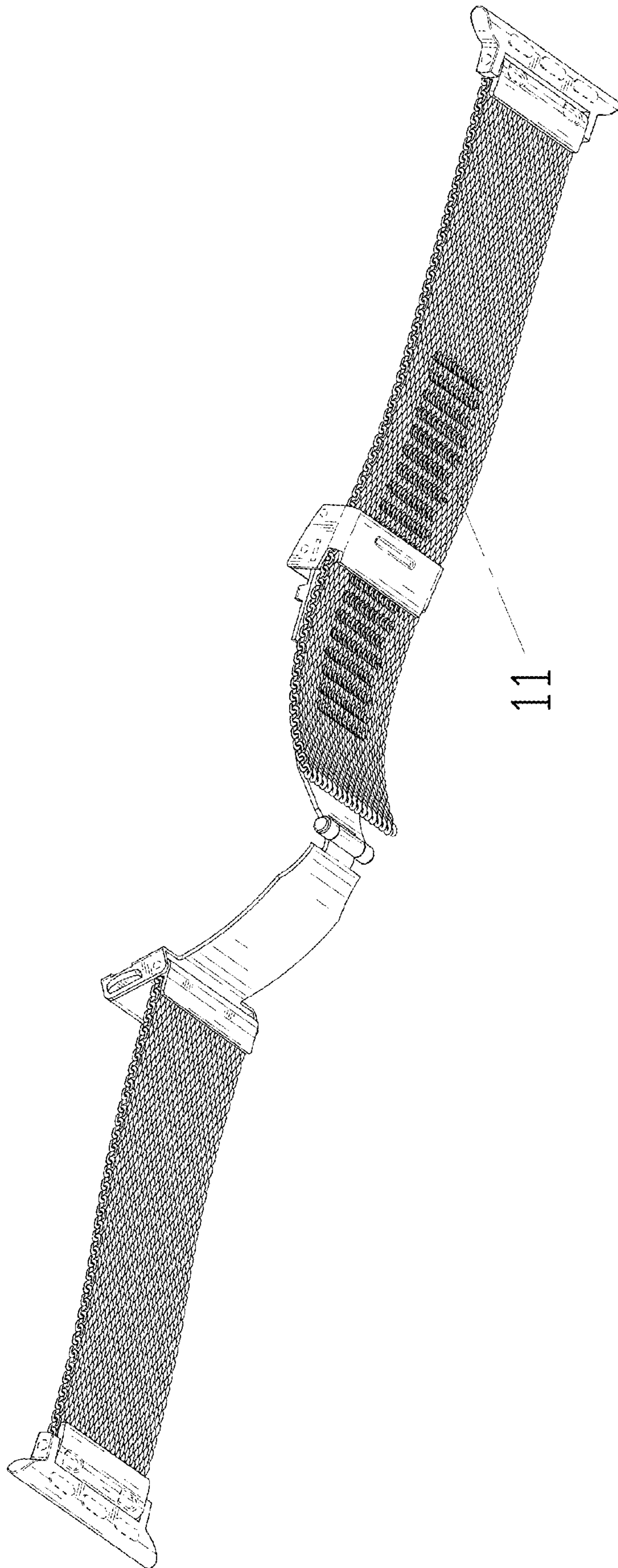


FIG. 2

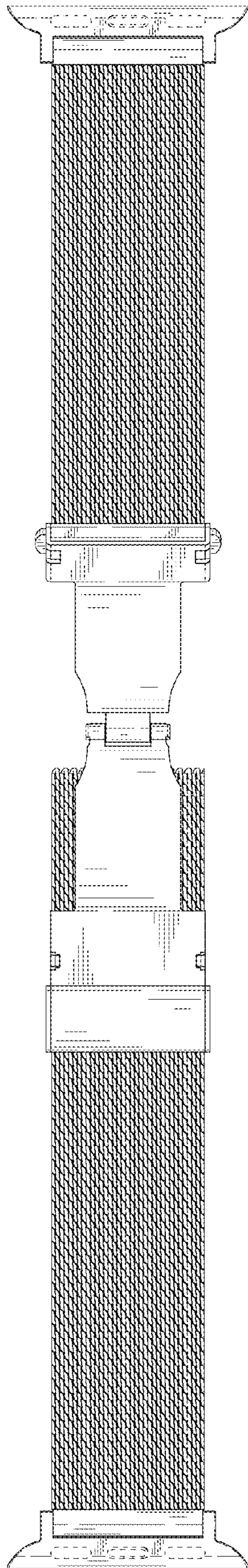


FIG. 3

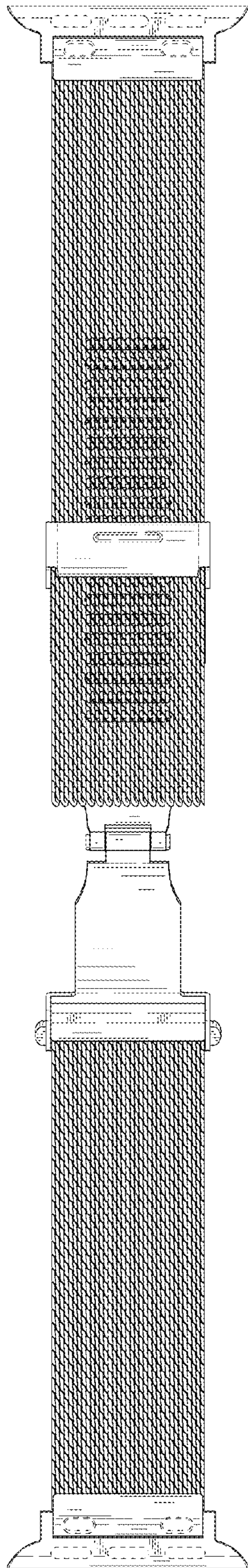


FIG. 4

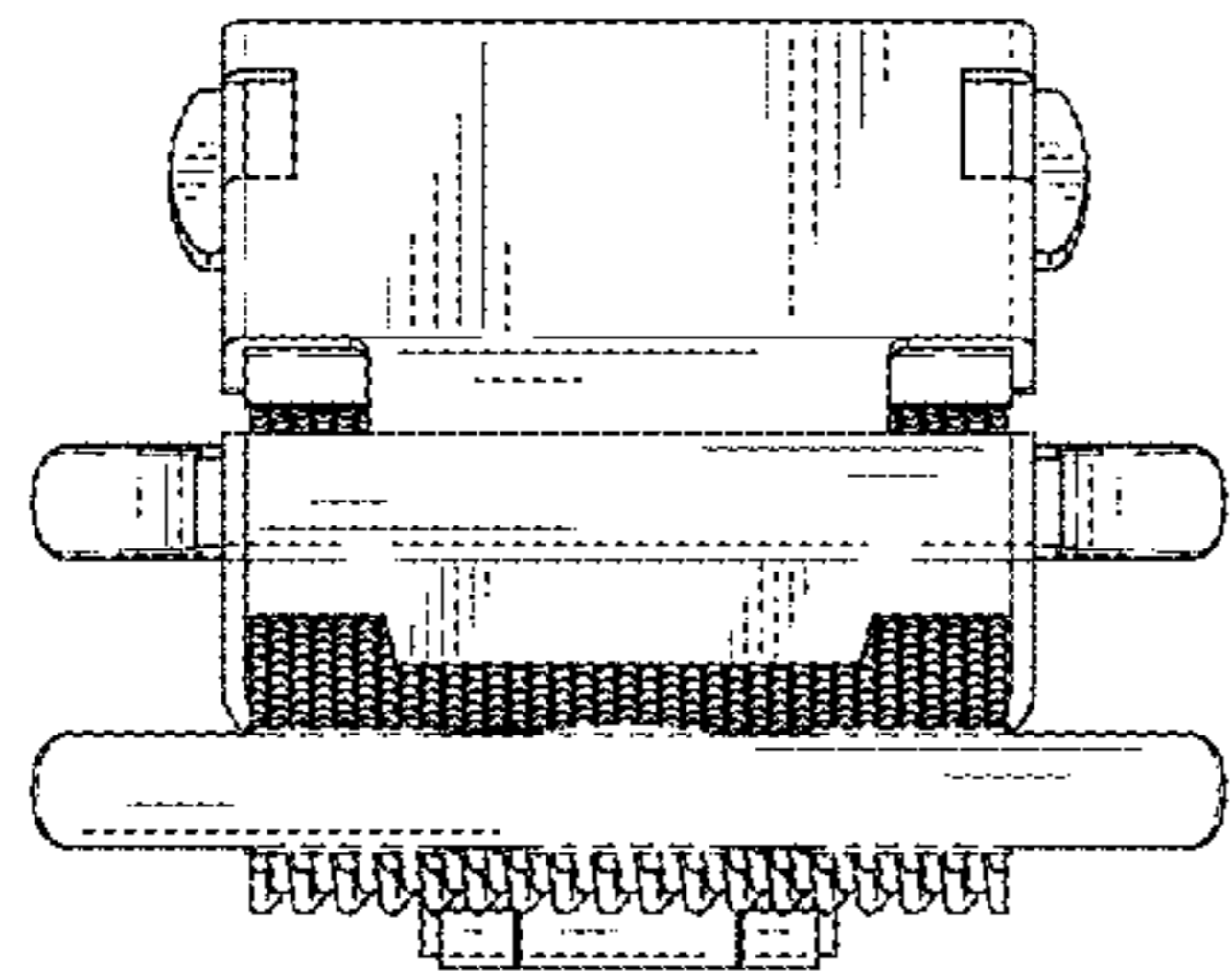


FIG. 5

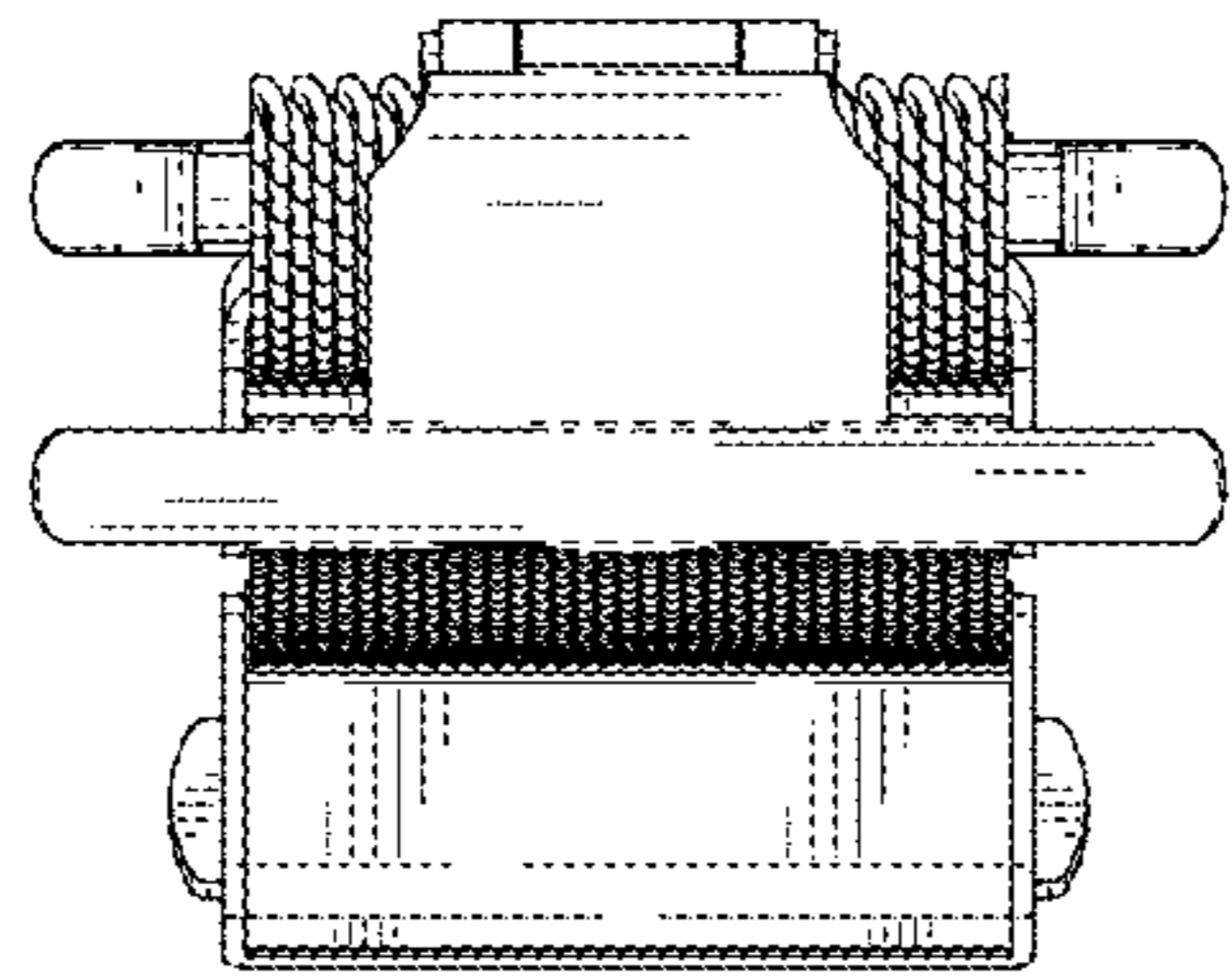


FIG. 6

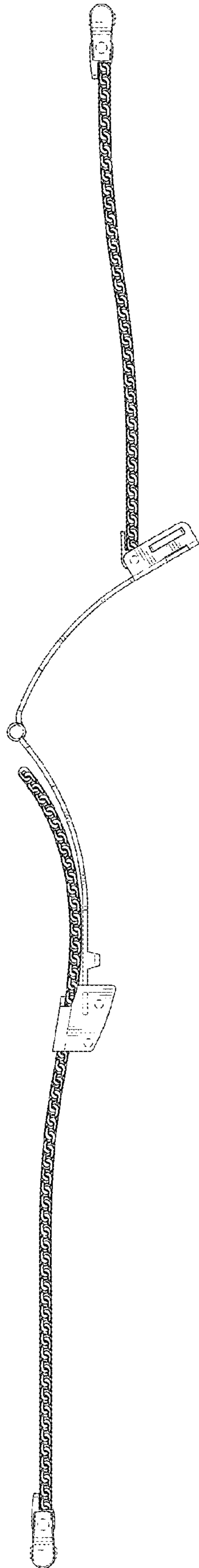


FIG. 7

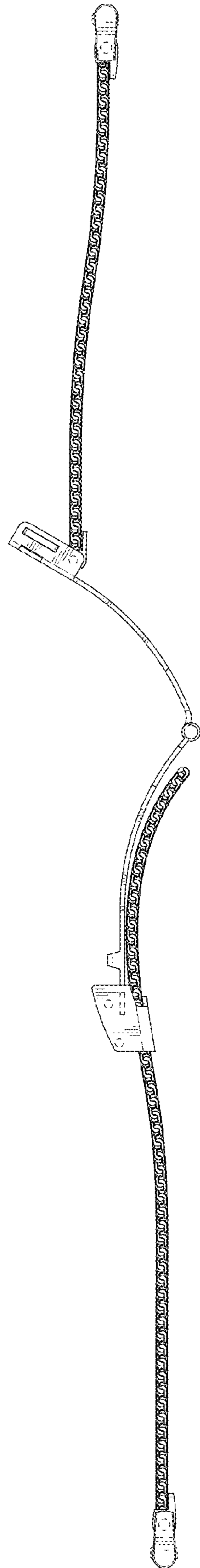


FIG. 8

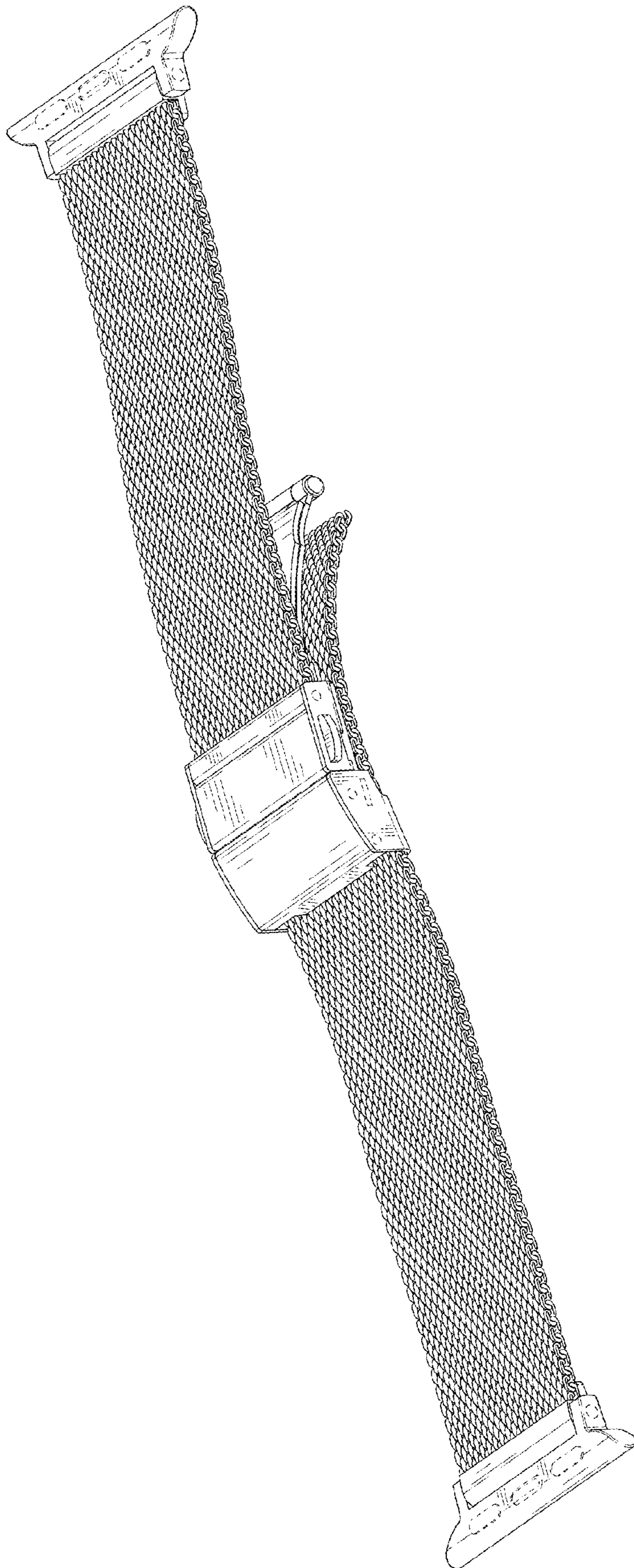


FIG. 9

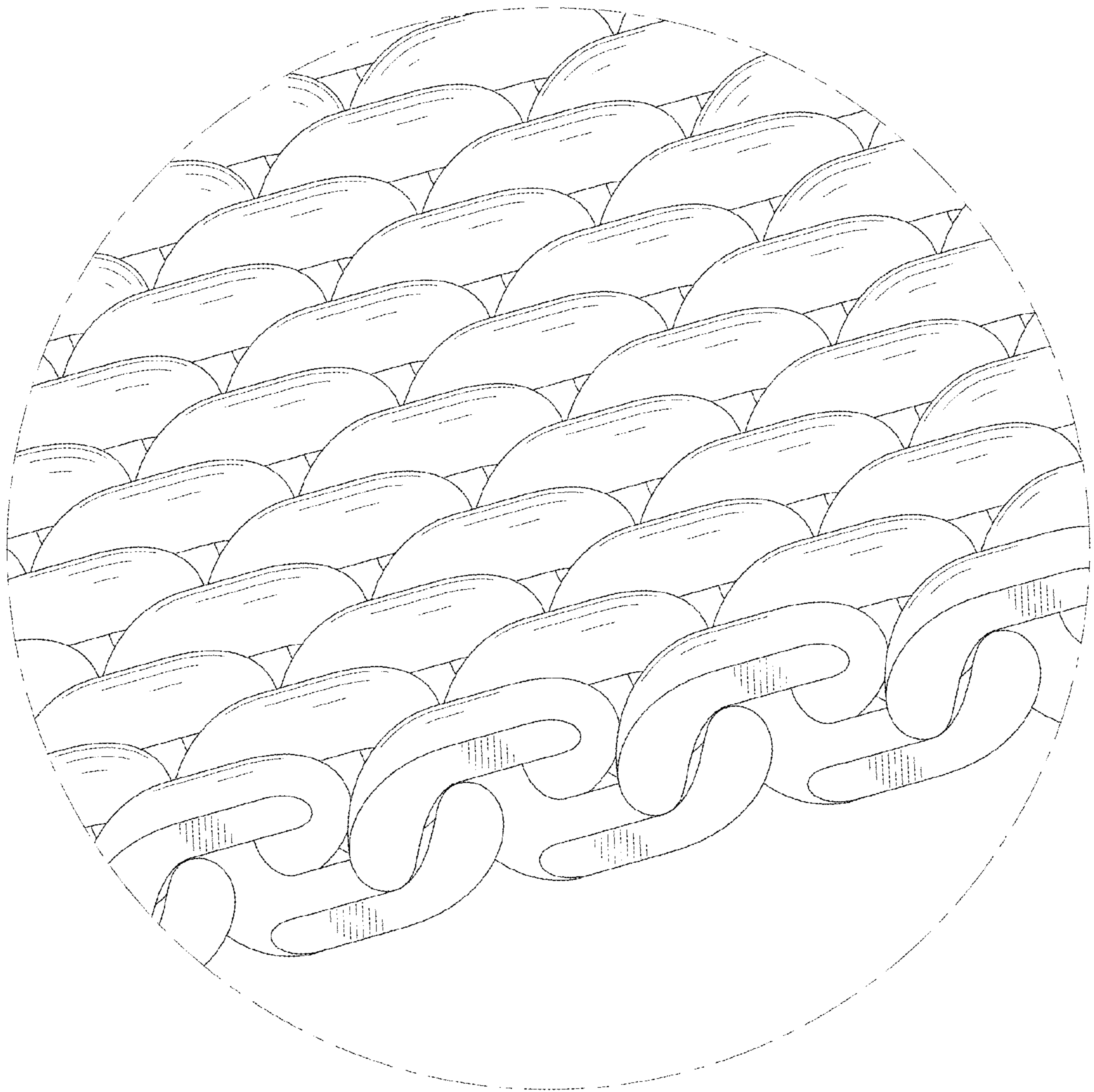


FIG. 10

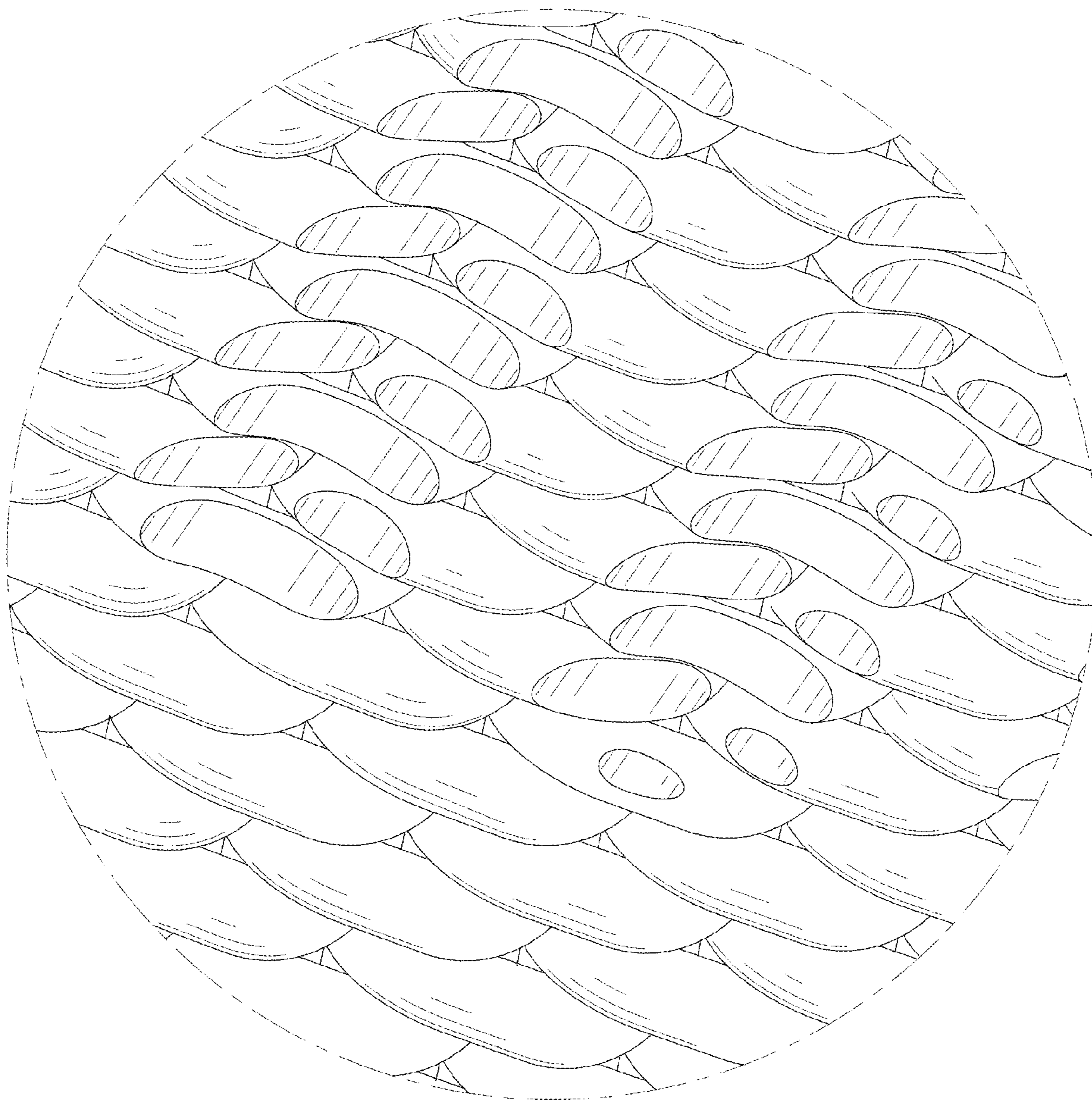


FIG. 11