



US00D988900S

(12) **United States Design Patent**
Thier et al.

(10) **Patent No.:** **US D988,900 S**
(45) **Date of Patent:** **** Jun. 13, 2023**

(54) **WATCH STRAP**

(71) Applicants: **Marco Leon Thier**, Heerhugowaard (NL); **Catharina op den Kelder**, Heerhugowaard (NL)

(72) Inventors: **Marco Leon Thier**, Heerhugowaard (NL); **Catharina op den Kelder**, Heerhugowaard (NL)

(**) Term: **15 Years**

(21) Appl. No.: **29/711,667**

(22) Filed: **Nov. 1, 2019**

(30) **Foreign Application Priority Data**

May 2, 2019 (EP) 006408654
May 22, 2019 (EP) 006499075

(51) **LOC (14) Cl.** **11-01**

(52) **U.S. Cl.**
USPC **D11/3**

(58) **Field of Classification Search**
USPC D11/1-3, 4-6; D10/31, 32; D14/344;
D2/624, 626, 627, 634, 635, 638;
D30/152, 153
CPC A44C 5/00; A44C 5/0053; A44C 5/0069;
A44C 5/16; A44C 5/20
See application file for complete search history.

(56) **References Cited**

U.S. PATENT DOCUMENTS

1,626,160 A * 4/1927 Schwalberg A44C 5/16
224/178
4,509,214 A * 4/1985 Shea A41F 9/002
D2/627
D300,810 S * 4/1989 Reaume D11/4
D346,482 S * 5/1994 Merrill D2/627

D393,337 S * 4/1998 Seki D2/624
D457,688 S * 5/2002 Cordero D2/627
D488,912 S * 4/2004 Berger D2/627
D676,627 S * 2/2013 Doss D2/624
D790,382 S * 6/2017 Sasson D11/3
D857,543 S * 8/2019 Sirichai D11/3
D883,838 S * 5/2020 Deng D11/3
D883,839 S * 5/2020 Deng D11/3
D892,667 S * 8/2020 Chen D11/3
10,729,210 B1 * 8/2020 Sano A44C 5/0053
D918,759 S * 5/2021 Liu D11/3
D928,012 S * 8/2021 Lee D11/3
2008/0223889 A1 * 9/2008 Rossell A44C 5/0007
224/222

* cited by examiner

Primary Examiner — Llorellys Martinez

(74) *Attorney, Agent, or Firm* — Carlson, Gaskey & Olds, P.C.

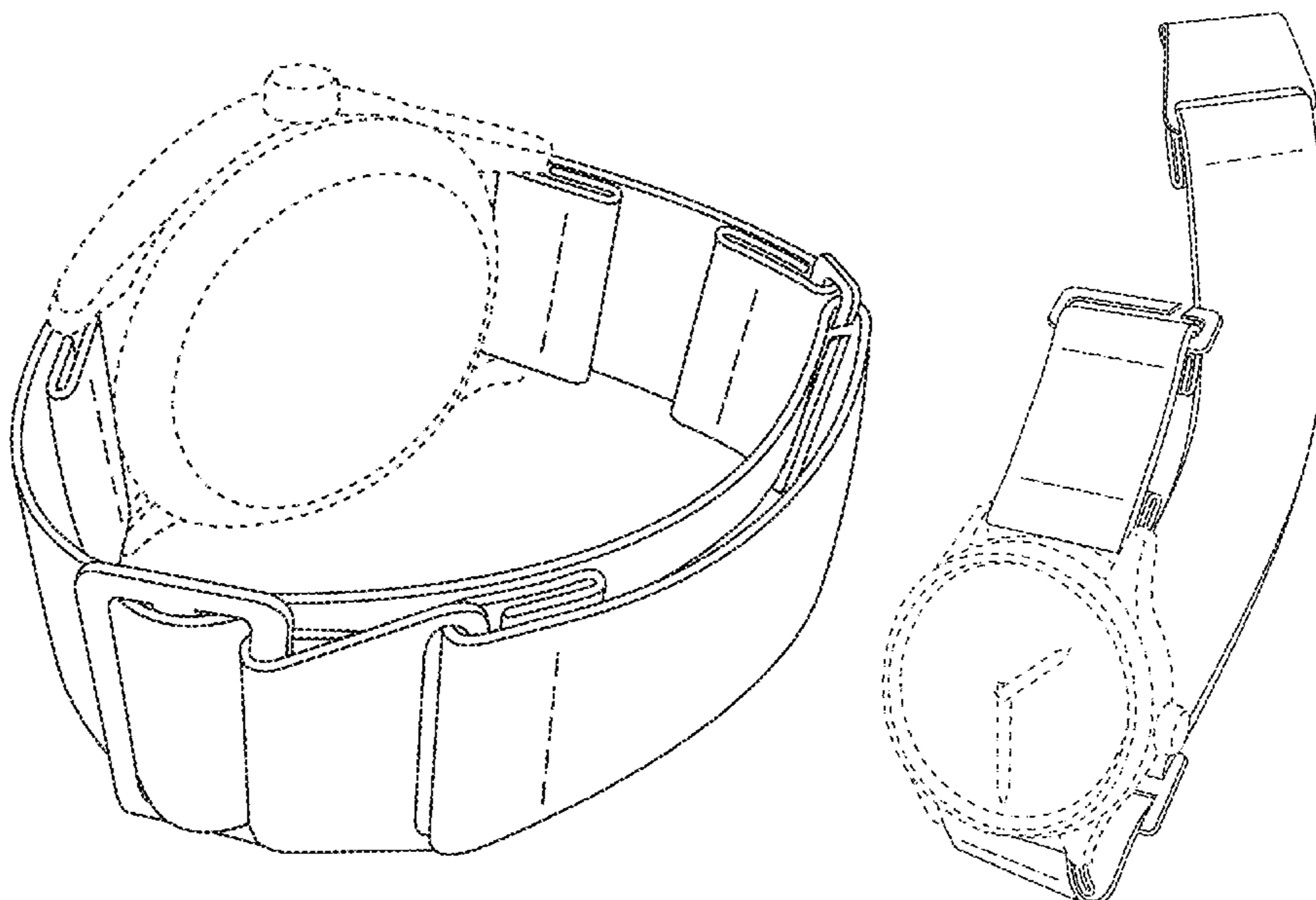
(57) **CLAIM**

The ornamental design for a watch strap, as shown and described.

DESCRIPTION

FIG. 1 is a perspective view of a watch strap.
FIG. 2 is a bottom view of the watch strap of FIG. 1.
FIG. 3 is a top view of the watch strap of FIG. 1.
FIG. 4 is a side view of the watch strap of FIG. 1 taken from a first side.
FIG. 5 is a side view of the watch strap of FIG. 1 taken from a second side that is opposite the first side.
FIG. 6 is another perspective view of the watch strap of FIG. 1; and,
FIG. 7 is another side view of the watch strap of FIG. 1.
The broken lines in the drawings showing a watch represent environmental subject matter only that forms no part of the claimed design. The other broken lines on the watch band correspond to stitching that is part of the claimed design.

1 Claim, 5 Drawing Sheets



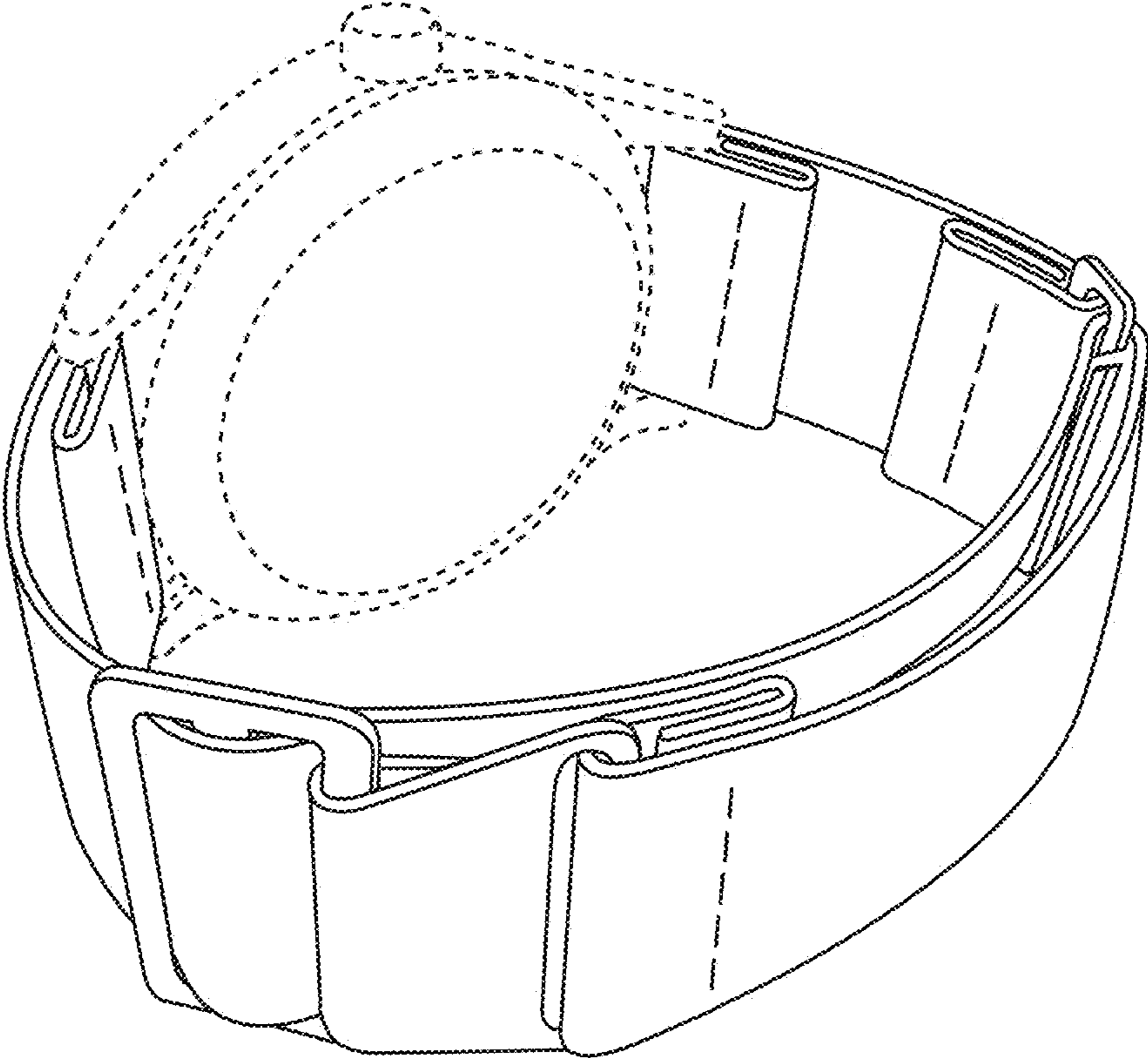


FIG. 1

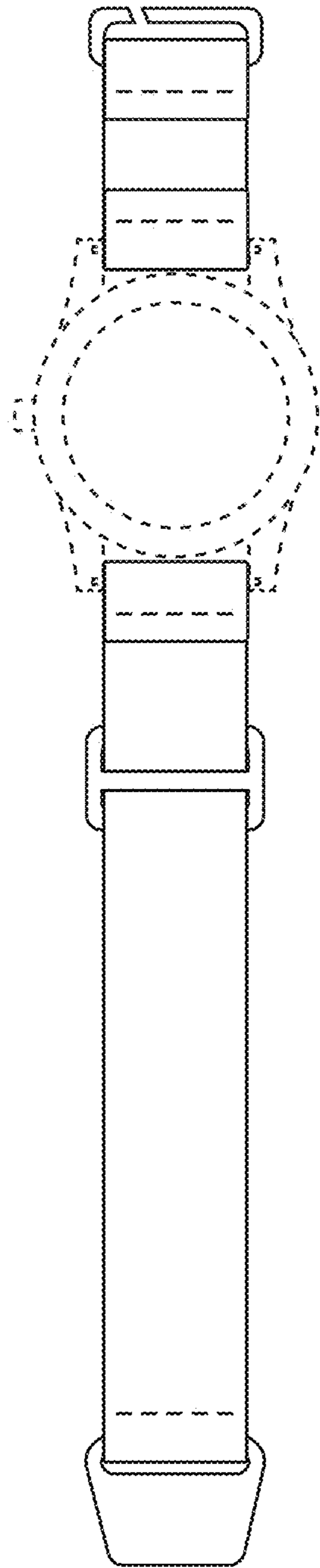


FIG. 2

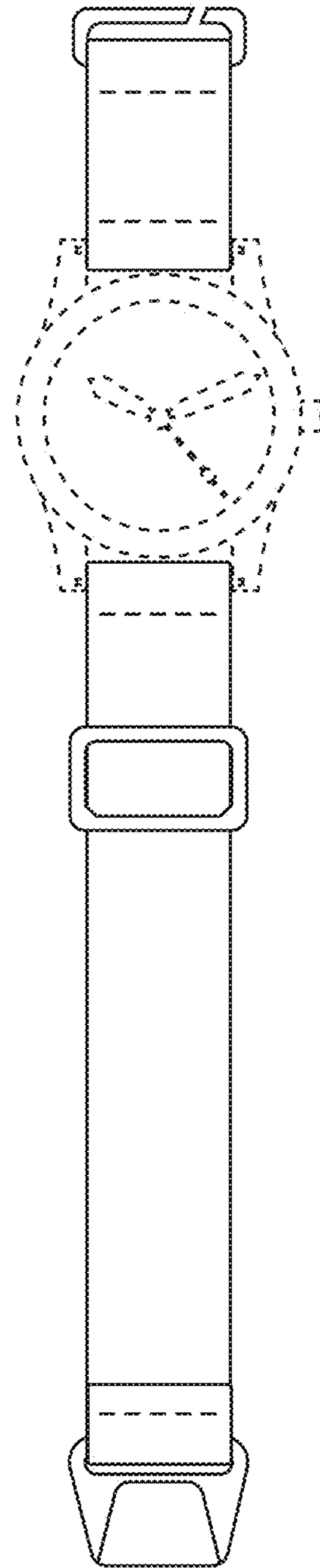


FIG. 3

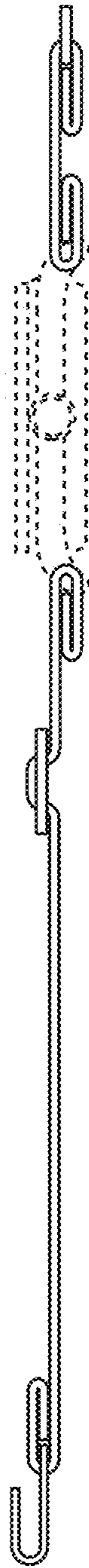


FIG. 4

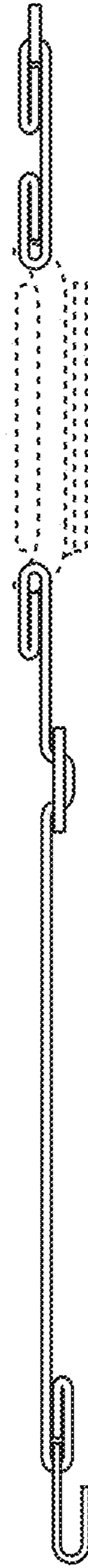


FIG. 5

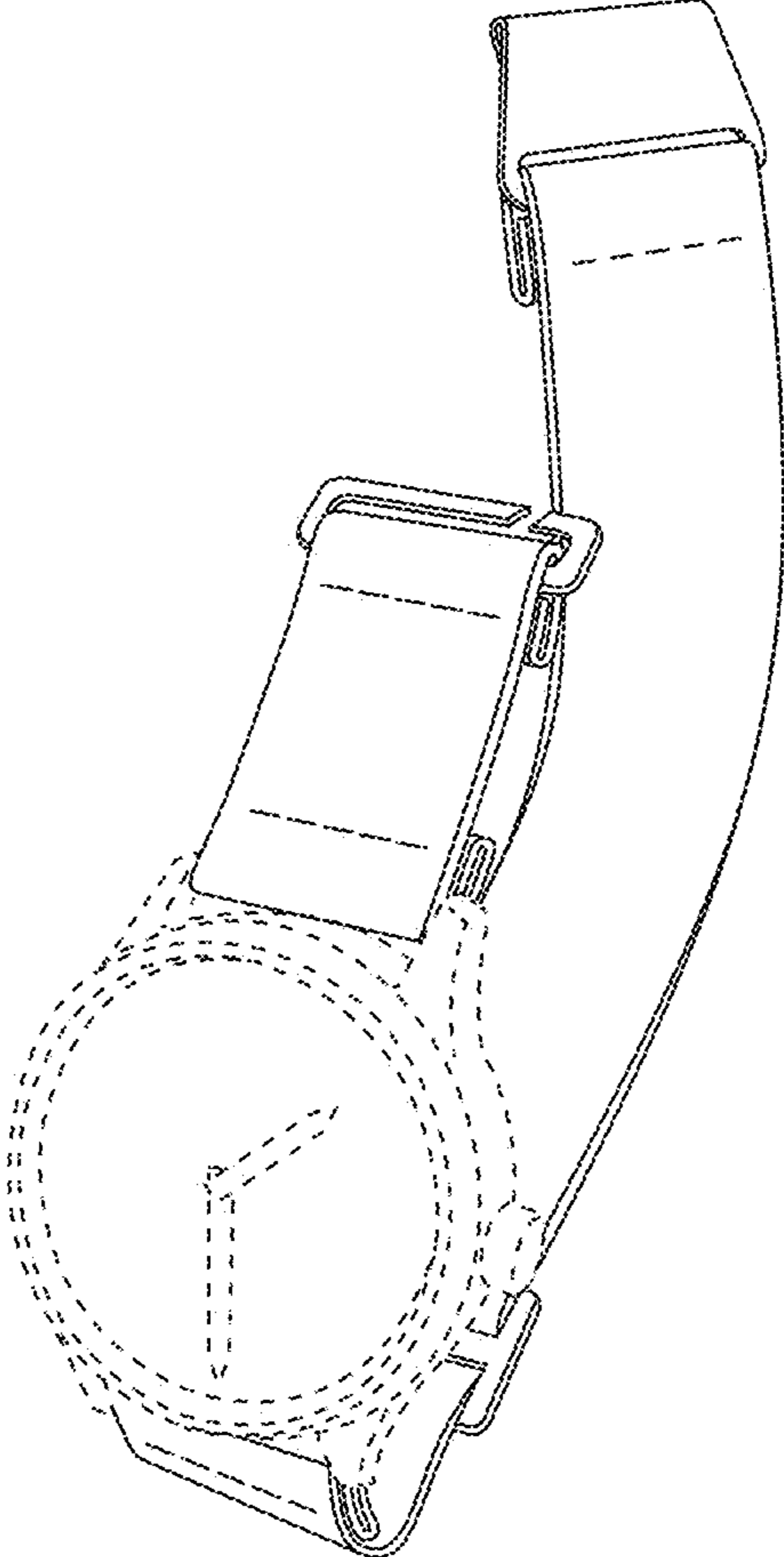


FIG. 6

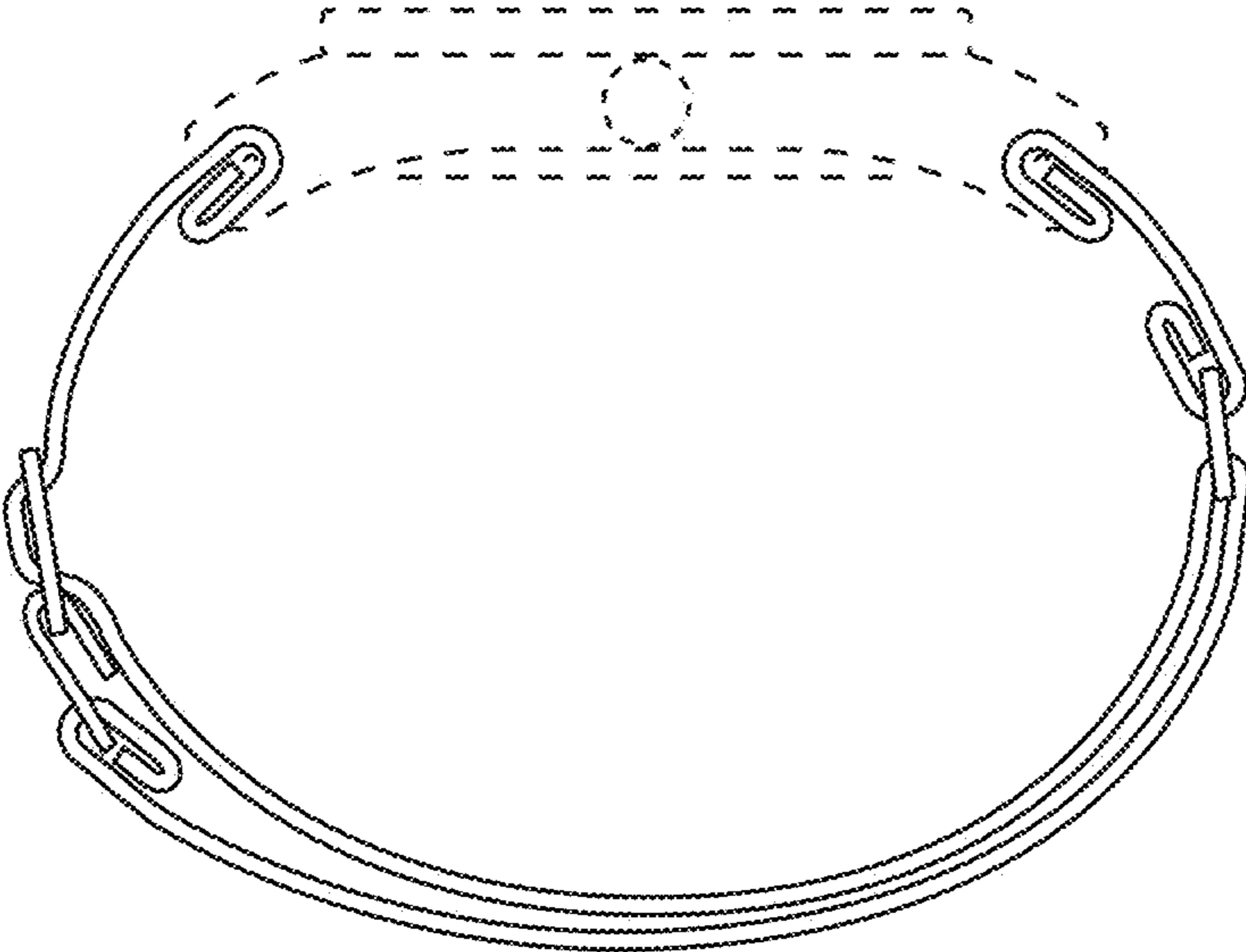


FIG. 7