



US00D988896S

(12) **United States Design Patent**  
**Zhou**

(10) **Patent No.:** **US D988,896 S**

(45) **Date of Patent:** **\*\* Jun. 13, 2023**

(54) **FLAT LIGHT**

(71) Applicant: **SHENZHEN THANKSHOME TECHNOLOGY CO., LTD.**,  
Guangdong (CN)

(72) Inventor: **Chaoqun Zhou**, Guangdong (CN)

(\*\*) Term: **15 Years**

(21) Appl. No.: **29/852,200**

(22) Filed: **Sep. 5, 2022**

(30) **Foreign Application Priority Data**

Aug. 18, 2022 (EP) ..... 009151053-0001

(51) **LOC (14) Cl.** ..... **10-06**

(52) **U.S. Cl.**  
USPC ..... **D10/114.3**

(58) **Field of Classification Search**  
USPC ..... D10/118.2, 119.1–121, 113.4–114.3,  
D10/114.5, 114.8, 109.1, 120–121, 111  
CPC ..... F21K 9/00; F21L 4/027; F21L 2/00; F21L  
4/08; F21W 2111/00  
See application file for complete search history.

(56) **References Cited**

**U.S. PATENT DOCUMENTS**

1,626,565 A \* 4/1927 Stanton ..... G09F 3/18  
40/1  
D73,128 S \* 7/1927 Harris ..... D20/40  
D73,801 S \* 11/1927 Oestnaes ..... D10/111  
D74,021 S \* 12/1927 Oeastnaes ..... D10/111  
D74,362 S \* 2/1928 Estes ..... D10/114.1  
D172,027 S \* 4/1954 Huber ..... D10/111  
2,843,347 A \* 7/1958 King ..... E01F 9/688  
116/63 P  
D196,158 S \* 8/1963 Romano ..... 116/63 T  
D218,651 S \* 9/1970 Kahn ..... D10/115  
D221,810 S \* 9/1971 Kiniry ..... D10/113.4

D227,174 S \* 6/1973 Adams ..... D10/111  
D228,527 S \* 10/1973 Arnce ..... D10/113.4  
3,766,881 A \* 10/1973 Ward ..... B60Q 7/005  
116/63 P  
D234,532 S \* 3/1975 Reicherts ..... D26/35  
D235,977 S \* 7/1975 Golden ..... D10/111  
3,934,542 A \* 1/1976 May ..... B60Q 7/005  
116/63 P  
D240,514 S \* 7/1976 Brudy ..... D10/111  
D240,515 S \* 7/1976 Crompton ..... D10/111  
D241,127 S \* 8/1976 Diggs ..... D10/111  
D274,001 S \* 5/1984 Sailers ..... D10/114.3  
D311,148 S \* 10/1990 Yuen ..... D26/114  
D314,161 S \* 1/1991 Kondo ..... D10/113.4  
D314,353 S \* 2/1991 Betti ..... D10/111

(Continued)

*Primary Examiner* — Nicole C Shiflet

*Assistant Examiner* — Antoinette Martine Suiter

(74) *Attorney, Agent, or Firm* — Che-Yang Chen; Law  
Office of Michael Chen

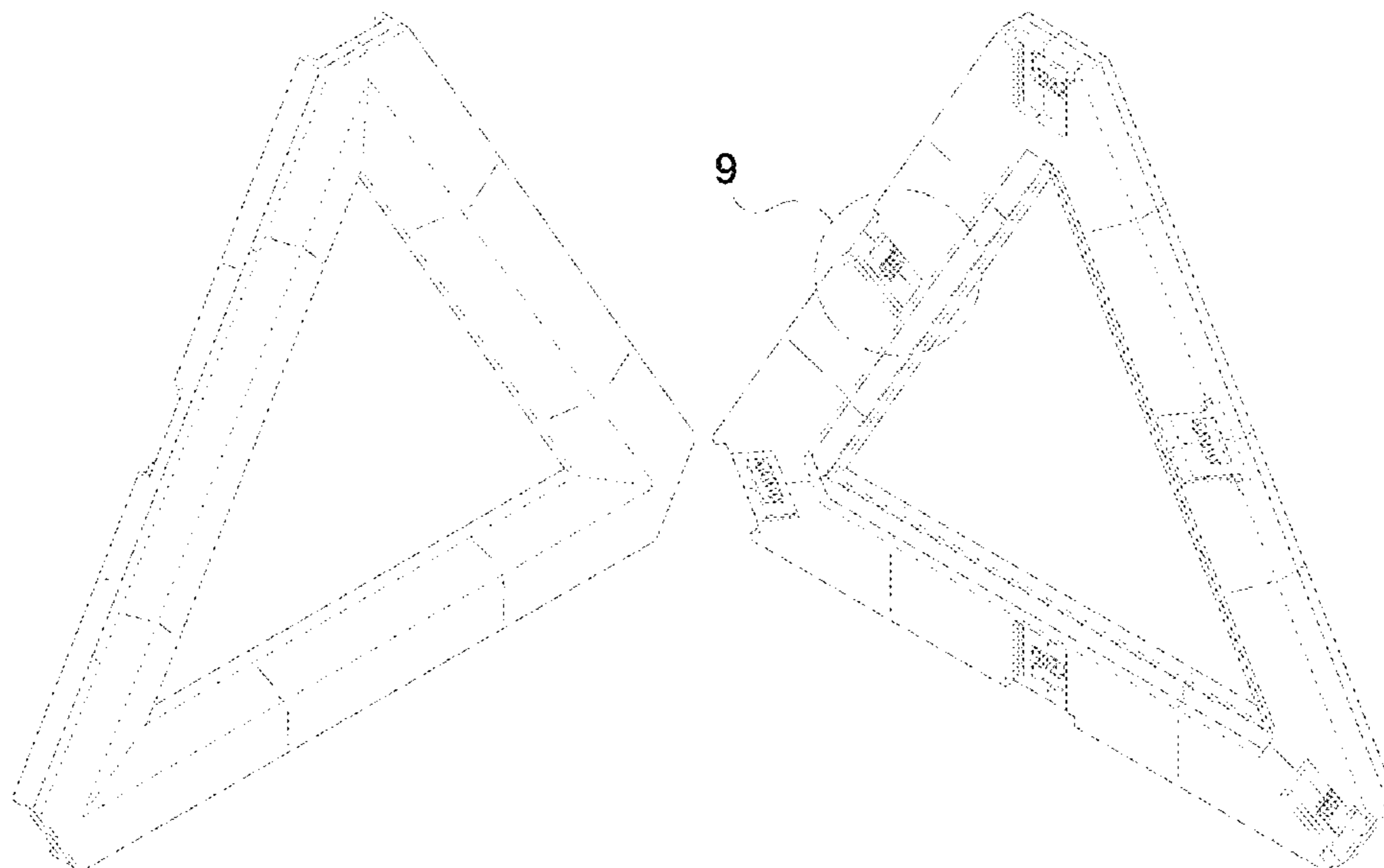
(57) **CLAIM**

The ornamental design for a flat light, as shown and described.

**DESCRIPTION**

FIG. 1 is a perspective view of the flat light showing my new design;  
FIG. 2 is a perspective view thereof from another angle;  
FIG. 3 is a front elevational view thereof;  
FIG. 4 is a rear elevational view thereof;  
FIG. 5 is a left side elevational view thereof;  
FIG. 6 is a right side elevational view thereof;  
FIG. 7 is a top plan view thereof;  
FIG. 8 is a bottom plan view thereof; and,  
FIG. 9 is an enlarged view of a portion indicated with numeric 9 in FIG. 2.  
The broken lines shown in the drawings represent portions of the flat light that form no part of the claimed design.

**1 Claim, 9 Drawing Sheets**



(56)

**References Cited**

## U.S. PATENT DOCUMENTS

D331,198 S \* 11/1992 Nickerson ..... D30/160  
D332,067 S \* 12/1992 Fu ..... D10/114.3  
D349,070 S \* 7/1994 Altman ..... D10/111  
D383,080 S \* 9/1997 Derrick ..... D10/113.4  
D391,881 S \* 3/1998 Youseph ..... D10/113.4  
D397,632 S \* 9/1998 Evanyk ..... D10/113.4  
D401,878 S \* 12/1998 Evanyk ..... D10/113.4  
D407,987 S \* 4/1999 Dittmore ..... D20/17  
D409,515 S \* 5/1999 Chen ..... D10/113.4  
D425,812 S \* 5/2000 Bodo ..... D10/113.4  
D446,465 S \* 8/2001 Sloom ..... D10/113.4  
D491,088 S \* 6/2004 Astill ..... D10/111  
6,857,385 B1 \* 2/2005 Chen ..... B60Q 7/00  
116/63 P  
D520,395 S \* 5/2006 Lazalier ..... D10/113.4  
D544,804 S \* 6/2007 Chen ..... D10/113.4  
D557,625 S \* 12/2007 Yu ..... D10/113.4  
D558,627 S \* 1/2008 Bowers ..... D10/113.4  
D587,131 S 2/2009 Friedland et al.  
D638,731 S \* 5/2011 Meyer ..... D10/114.1  
D653,579 S \* 2/2012 Niven ..... D10/114.2  
D703,488 S \* 4/2014 De Veiga Martins ..... D24/197  
D793,890 S \* 8/2017 Hong ..... D10/113.4  
10,301,785 B2 \* 5/2019 Huang ..... E01F 9/688  
D918,078 S \* 5/2021 Domingo ..... D10/113.4  
D931,129 S \* 9/2021 Ganzha ..... D10/113.4  
D933,506 S 10/2021 Kurani  
D951,792 S \* 5/2022 Lee ..... D10/113.4  
D964,199 S \* 9/2022 Alexander ..... D10/114.2

\* cited by examiner

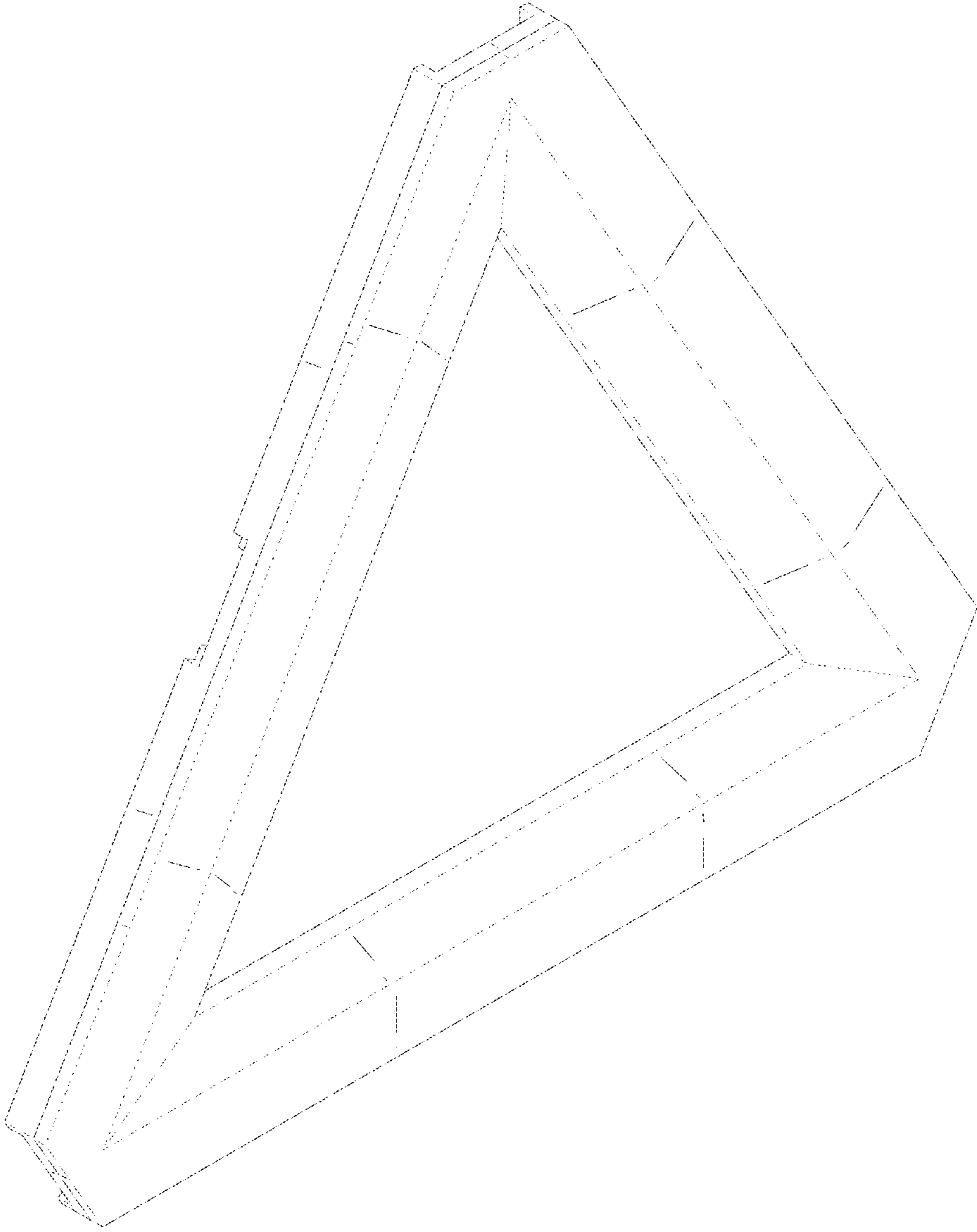


FIG. 1

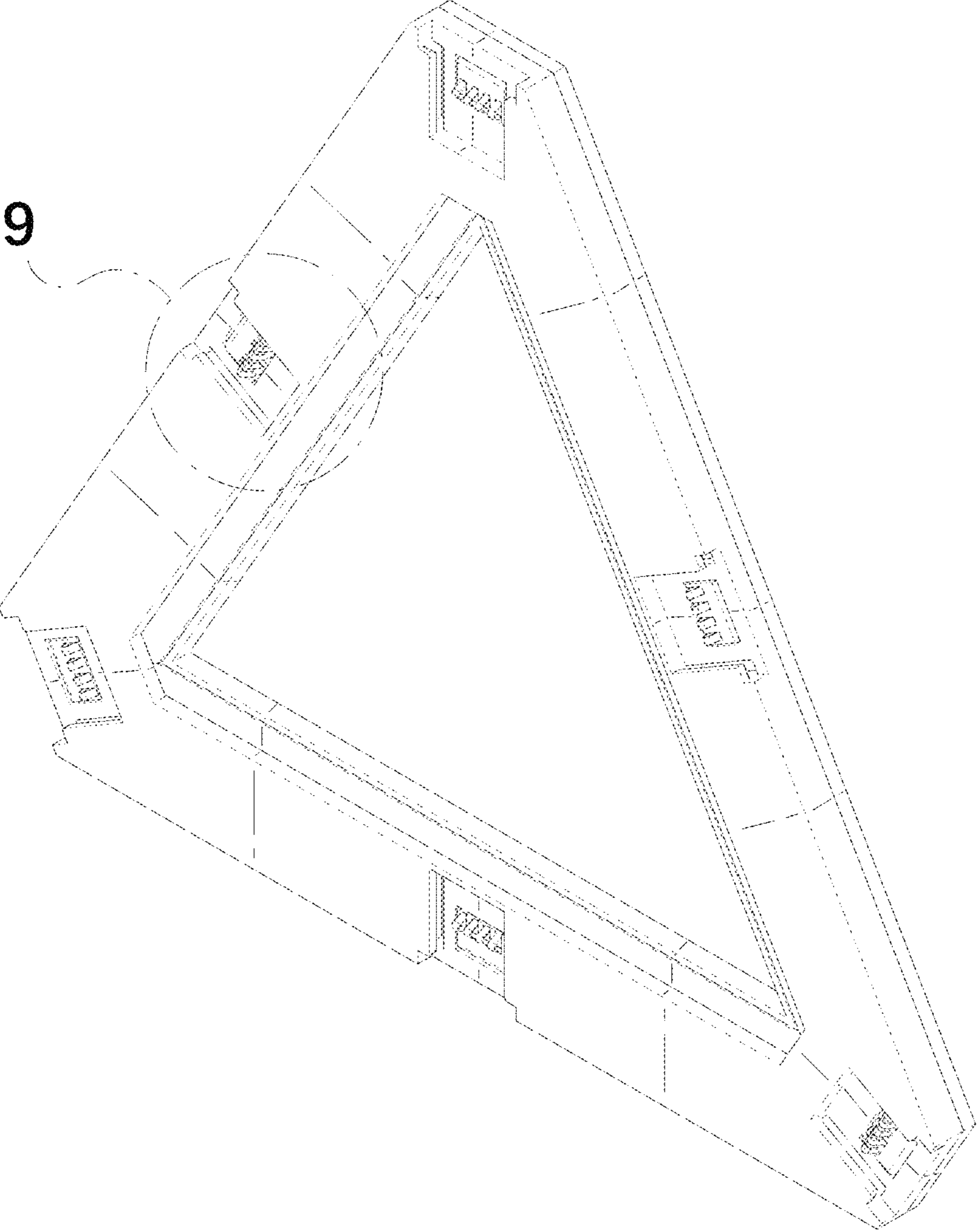


FIG. 2

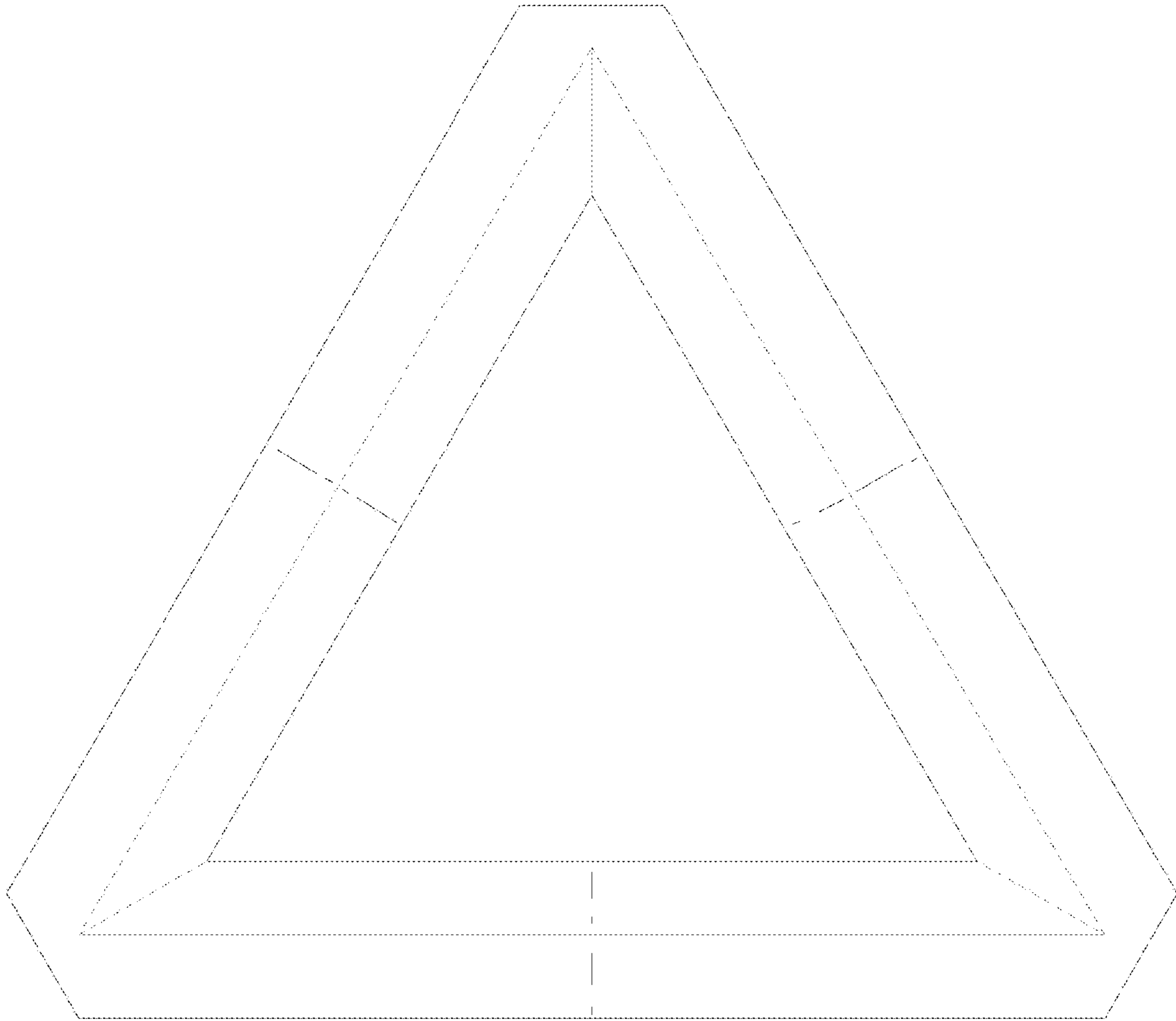


FIG. 3



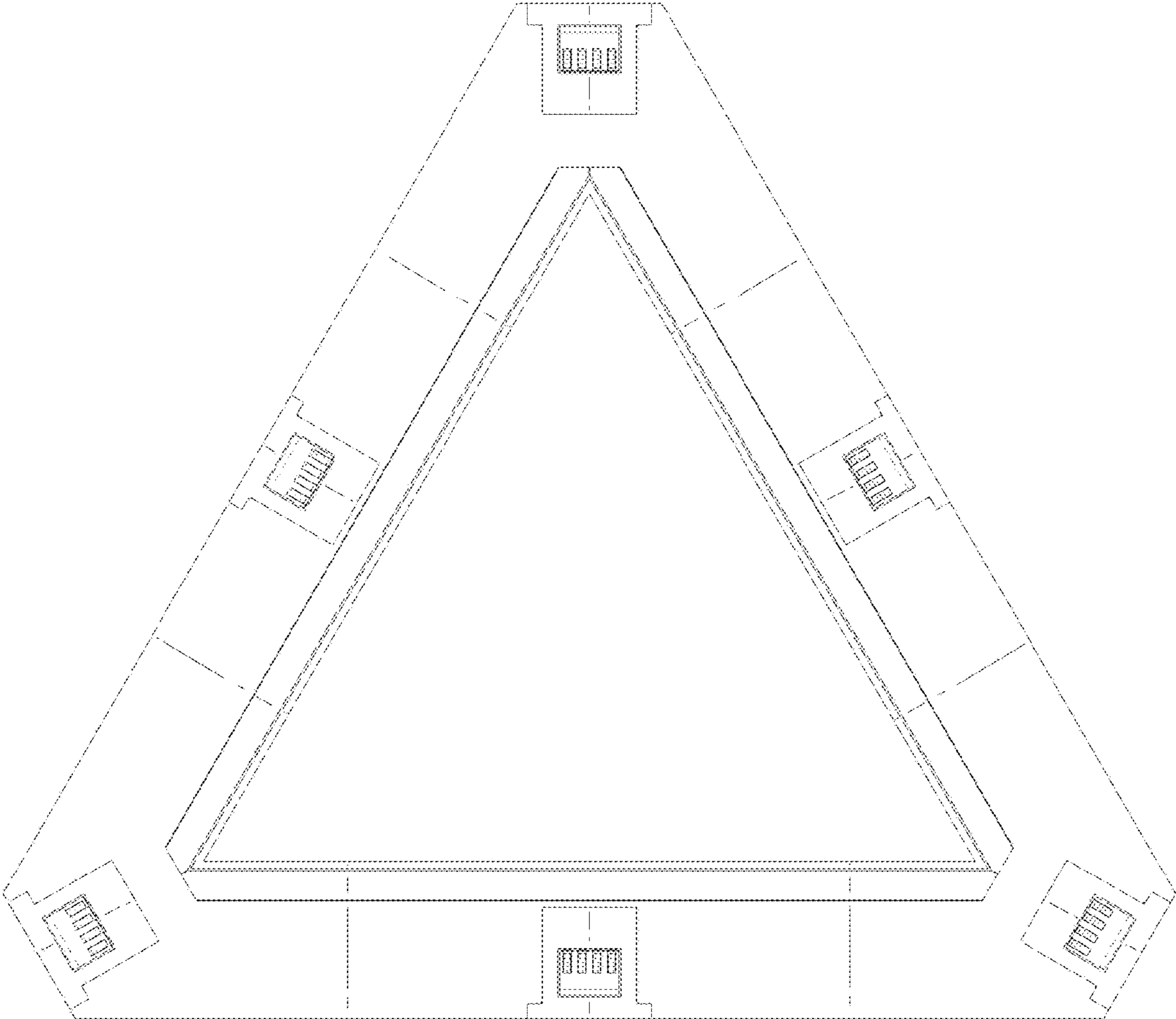


FIG. 4

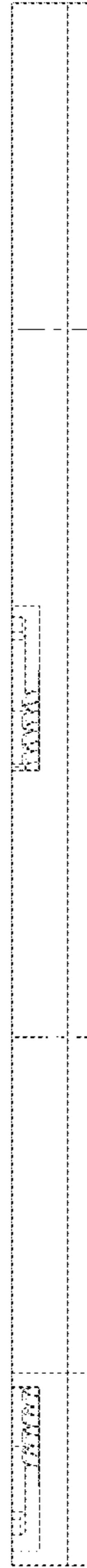


FIG. 5

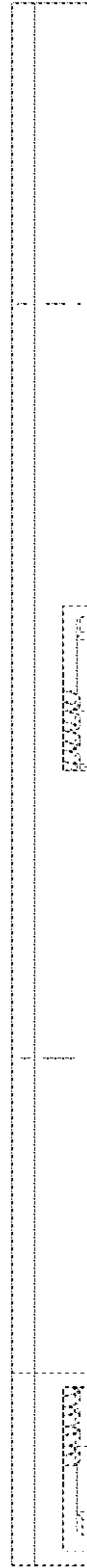


FIG. 6



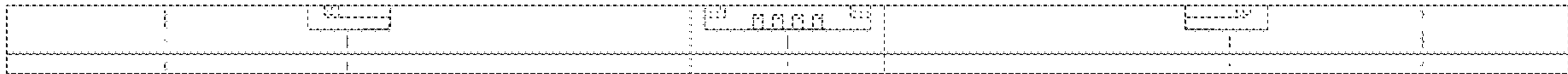


FIG. 7

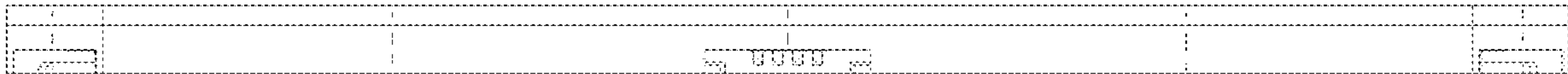


FIG. 8

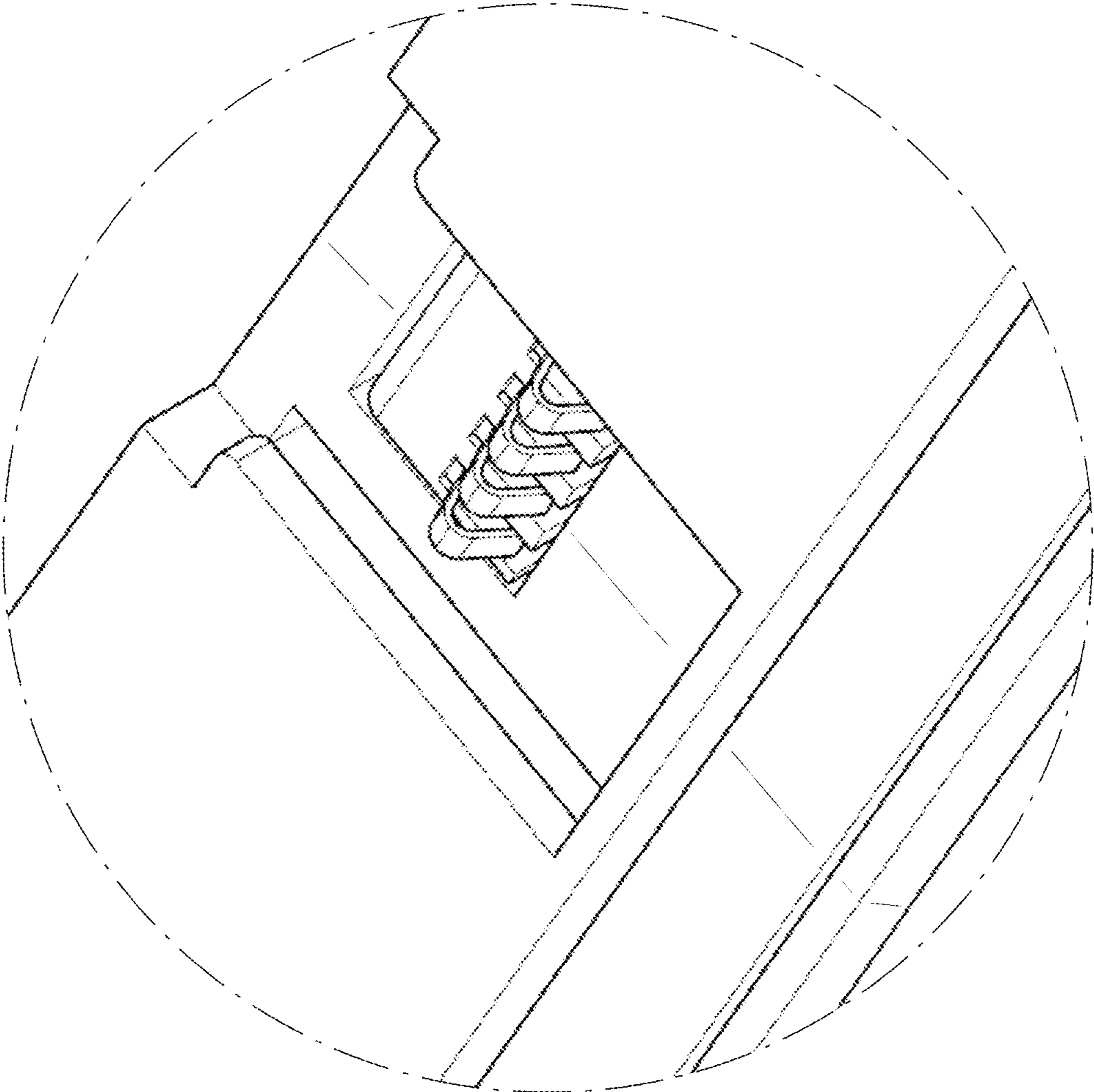


FIG. 9