



US00D988895S

(12) **United States Design Patent**
Miller et al.

(10) **Patent No.:** **US D988,895 S**
(45) **Date of Patent:** **** Jun. 13, 2023**

(54) **SECURITY TAG WITH RETRACTABLE PIN**

Primary Examiner — Katrina N Gonzalez

(71) Applicant: **Sensormatic Electronics, LLC**, Boca Raton, FL (US)

(74) *Attorney, Agent, or Firm* — ArentFox Schiff LLP

(72) Inventors: **Channing Everet Miller**, Fort Lauderdale, FL (US); **Sergio M. Perez**, Boca Raton, FL (US)

(57) **CLAIM**

The ornamental design for a security tag with retractable pin, as shown and described.

(73) Assignee: **Sensormatic Electronics, LLC**, Boca Raton, FL (US)

DESCRIPTION

(**) Term: **15 Years**

(21) Appl. No.: **29/755,784**

(22) Filed: **Oct. 22, 2020**

FIG. 1 is a front left perspective view showing our new design in an unlocked configuration, in which a movable locking button is in an undepressed position;

FIG. 2 is a front right perspective view of the design shown in FIG. 1;

FIG. 3 is a left side view of the design shown in FIG. 1;

FIG. 4 is a right side view of the design shown in FIG. 1;

FIG. 5 is a front view of the design shown in FIG. 1;

FIG. 6 is a rear view of the design shown in FIG. 1;

FIG. 7 is a top plan view of the design shown in FIG. 1;

FIG. 8 is a bottom plan view of the design shown in FIG. 1;

FIG. 9 is a rear right perspective view of the design shown in FIG. 1;

FIG. 10 is a rear left perspective view of the design shown in FIG. 1;

FIG. 11 is a front left perspective view showing our new design in a locked configuration, in which a movable locking button is in a depressed position;

FIG. 12 is a front right perspective view of the design shown in FIG. 11;

FIG. 13 is a left side view of the design shown in FIG. 11;

FIG. 14 is a right side view of the design shown in FIG. 11;

FIG. 15 is a front view of the design shown in FIG. 11;

FIG. 16 is a rear view of the design shown in FIG. 11;

FIG. 17 is a top plan view of the design shown in FIG. 11;

FIG. 18 is a bottom plan view of the design shown in FIG. 11;

FIG. 19 is a rear right perspective view of the design shown in FIG. 11; and,

FIG. 20 is a rear left perspective view of the design shown in FIG. 11.

Related U.S. Application Data

(63) Continuation of application No. 29/639,063, filed on Mar. 2, 2018, now Pat. No. Des. 915,918.

(51) **LOC (14) Cl.** **10-05**

(52) **U.S. Cl.**
USPC **D10/106.91**

(58) **Field of Classification Search**

USPC D10/104.1, 106.9, 106.91, 106.93, 109.1;
70/57.1; D14/140, 142, 240, 217, 218,
(Continued)

(56) **References Cited**

U.S. PATENT DOCUMENTS

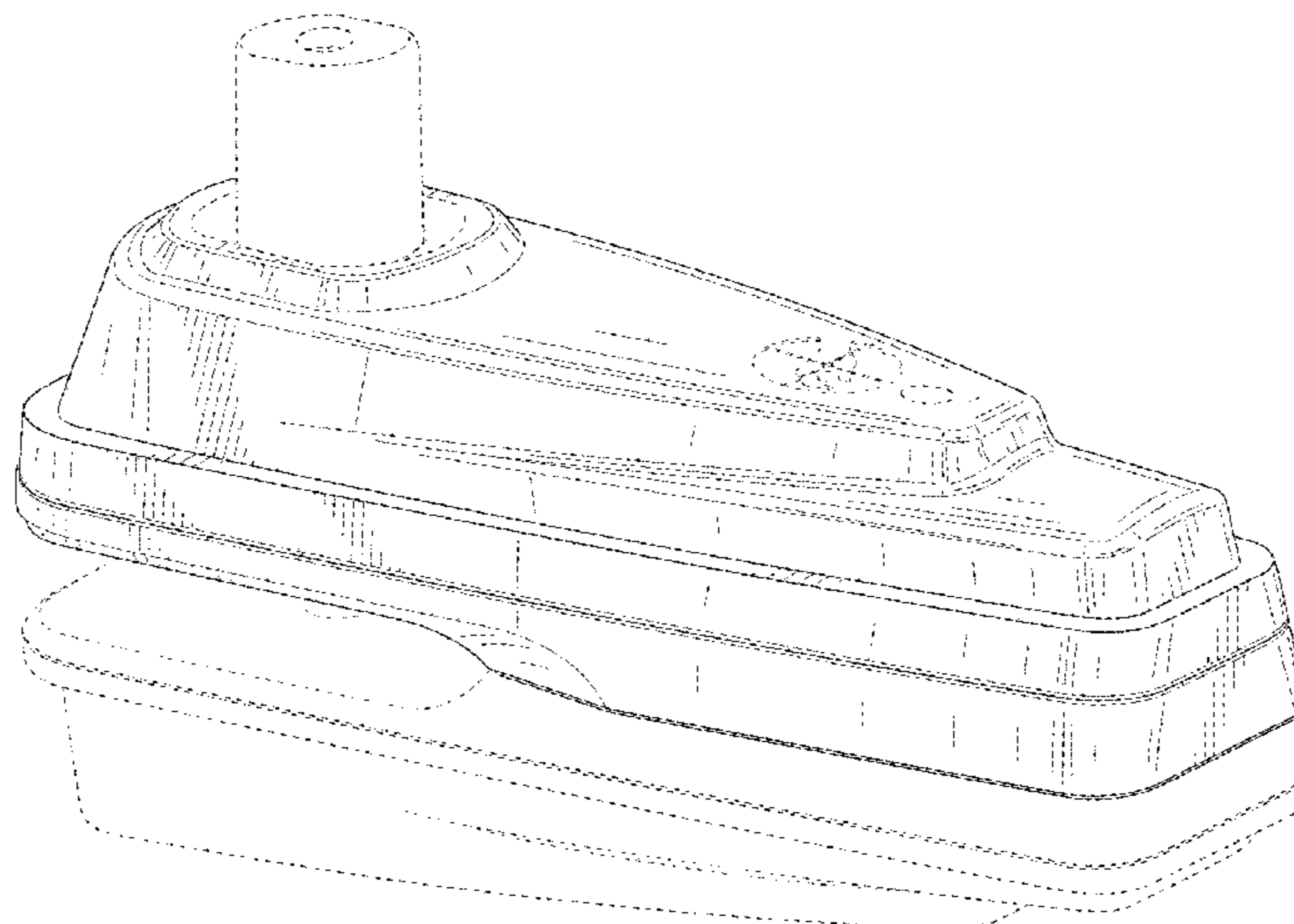
D343,135 S 1/1994 Witzky et al.
D361,704 S * 8/1995 Witzky D8/51
(Continued)

OTHER PUBLICATIONS

“Sensormatic Infuzion Magnetic Tag” available May 5, 2019, [online], [site visited Nov. 3, 2022]. Retrieved from Internet, URL:https://web.archive.org/web/20190505150905/http://amartastore.com/index.php?route=product/product&product_id=3337 (Year: 2019).*

(Continued)

(Continued)



The broken lines shown in the figures are included for the purpose of illustrating portions of the security tag with retractable pin and form no part of the claimed design.

1 Claim, 20 Drawing Sheets

(58) Field of Classification Search

USPC D14/155, 356, 357, 358, 359, 383, 385,
 D14/432, 435, 435.1, 447, 553, 480.1,
 D14/480.3, 480.5, 480.7, 483, 484.1;
 D3/208; D13/168; D8/347; D20/22
 CPC H04W 4/80; H04W 4/029; H04W 12/08;
 H04W 4/025; H04W 12/0023; H04W
 12/02; H04W 12/04; H04W 12/06; H04W
 4/046; H04W 4/40; H04W 52/0229;
 H04W 88/02; H04W 12/00407; H04W
 12/12; H04W 40/244; H04W 48/12;
 H04W 48/16; H04W 4/00; H04W 4/023;
 H04W 4/026; H04W 4/027; H04W 4/04;
 H04W 4/06; H04W 4/18; H04W 4/21;
 H04W 4/24; H04W 4/30; H04W 4/33;
 H04W 4/35; H04W 4/44; H04W 4/70;
 H04W 64/00; H04W 64/006; H04W
 76/10; H04W 76/15; H04W 76/34; H04W
 84/042; H04W 84/047; H04W 84/12;
 H04W 84/18; H04W 88/06; H04W 8/26;
 H04W 92/20; H03D 9/02

See application file for complete search history.

(56) References Cited

U.S. PATENT DOCUMENTS

D427,929	S	6/2000	Sayegh	
6,449,991	B1	9/2002	Hogan	
D466,426	S	12/2002	Proulx et al.	
D466,427	S *	12/2002	Huehner	D10/106.91
D471,121	S *	3/2003	Perez	D10/106.91
D478,833	S *	8/2003	Belden, Jr.	D10/106.91
D492,214	S	6/2004	Sayegh et al.	
D559,720	S	1/2008	Raymond	
D569,288	S	5/2008	Raymond	

D605,066	S	12/2009	Raymond	
7,633,396	B2 *	12/2009	Lynce	G08B 13/2434 70/57.1
D609,125	S	2/2010	Perez	
D625,637	S	10/2010	Sayegh	
7,821,403	B2 *	10/2010	Hogan	E05B 73/0017 340/568.1
D649,898	S *	12/2011	Yang	D10/106.91
8,350,702	B2 *	1/2013	Copeland	G08B 13/2434 340/572.7
D679,209	S	4/2013	Reynolds et al.	
D686,099	S	7/2013	Sayegh et al.	
D696,150	S	12/2013	Wu et al.	
D696,151	S	12/2013	Wu et al.	
D696,599	S	12/2013	Luo et al.	
D696,600	S	12/2013	Wu et al.	
D698,273	S	1/2014	Sayegh et al.	
8,683,830	B2	1/2014	Conti	
D705,686	S	5/2014	Wu et al.	
D706,153	S	6/2014	Sayegh et al.	
D709,398	S	7/2014	Leyden	
D714,670	S	7/2014	Wu et al.	
D714,176	S	9/2014	Perez et al.	
D742,772	S	11/2015	Yang	
9,734,683	B1	8/2017	Perez	
D871,947	S *	1/2020	Simoneau	D10/106.91
D882,440	S *	4/2020	Miller	D10/106.91
D885,953	S *	6/2020	Naphine	D10/106.91
D892,660	S *	8/2020	Perez	D10/106.91
D915,918	S *	4/2021	Miller	D10/106.91
11,055,977	B2 *	7/2021	Perez	G08B 13/2434
D962,806	S *	9/2022	Miller	D10/106.91
2006/0254326	A1	11/2006	Lax et al.	
2013/0340489	A1	12/2013	Koslowski, Jr. et al.	
2022/0092955	A1 *	3/2022	Claeys	G08B 13/2417

OTHER PUBLICATIONS

“How to open & overview Sensormatic InFuzion Tag” available Mar. 26, 2021, [online], [site visited Nov. 3, 2022]. Retrieved from Internet, URL:<https://www.youtube.com/watch?v=6MlljGI3xlk> (Year: 2021).*

“Sensormatic InFuzion Tag” available Jun. 28, 2021, [online], [site visited Nov. 3, 2022]. Retrieved from Internet, URL:<https://www.eastek-onlineshop.com/013017> (Year: 2021).*

* cited by examiner

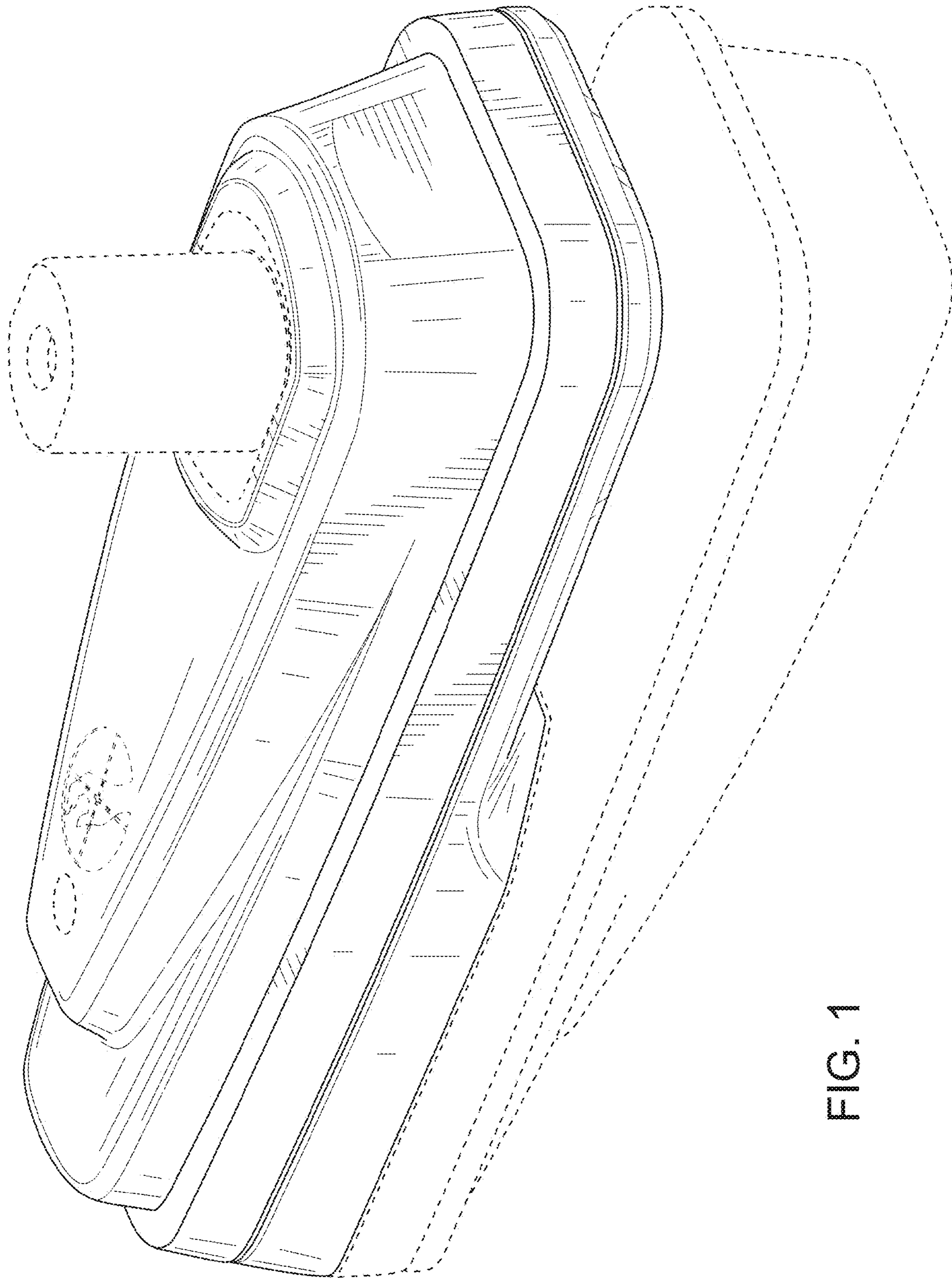


FIG. 1

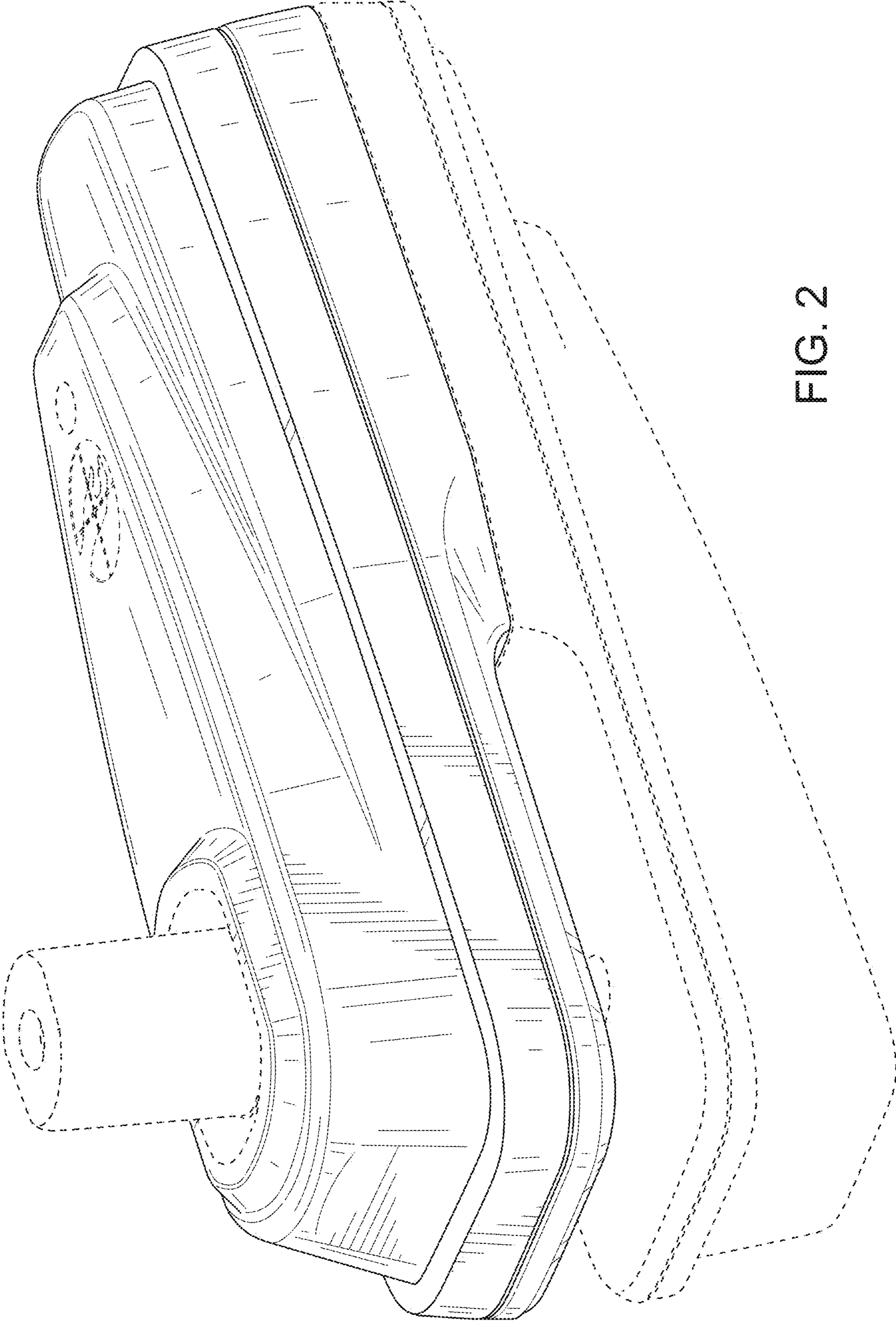


FIG. 2

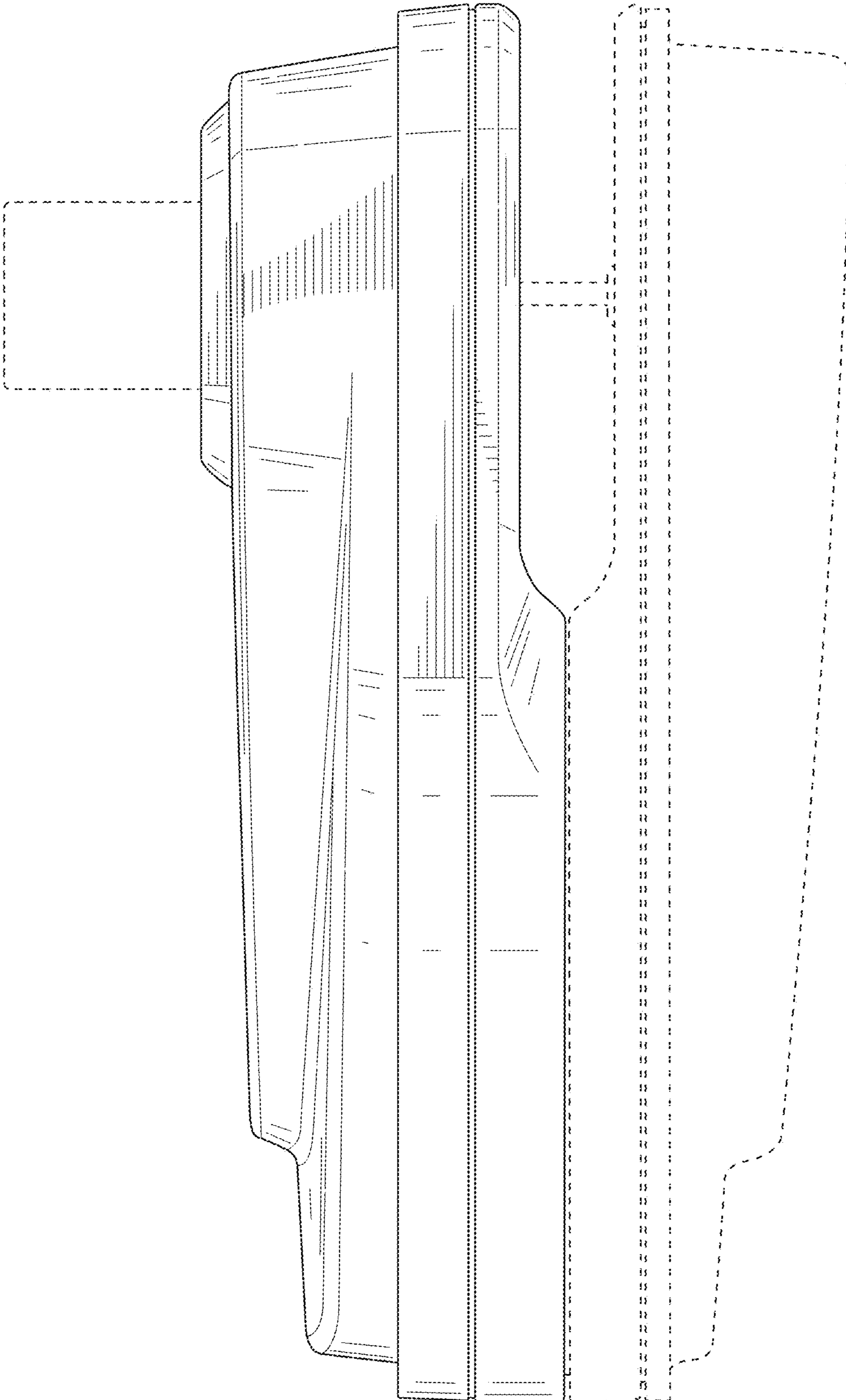


FIG. 3

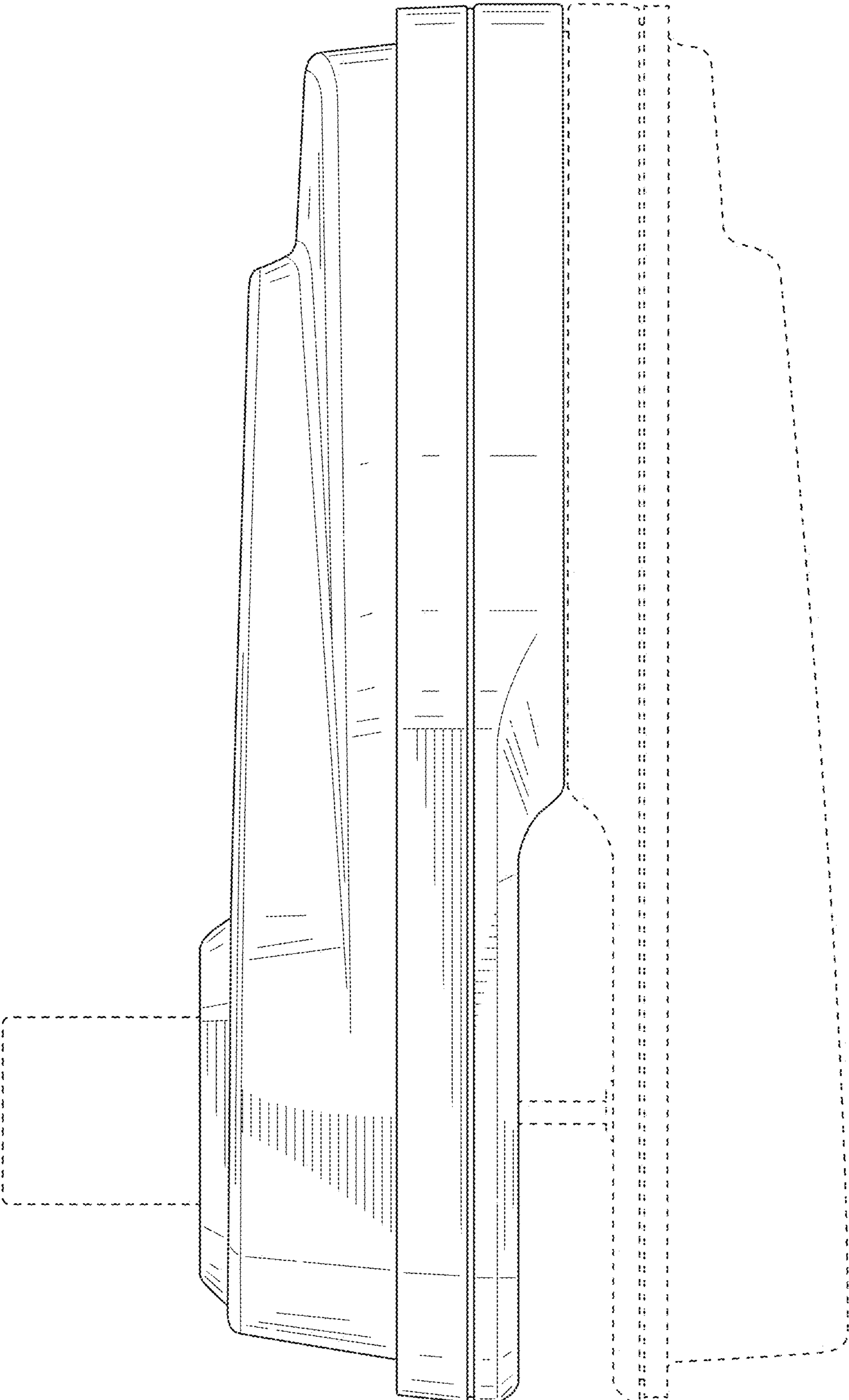


FIG. 4

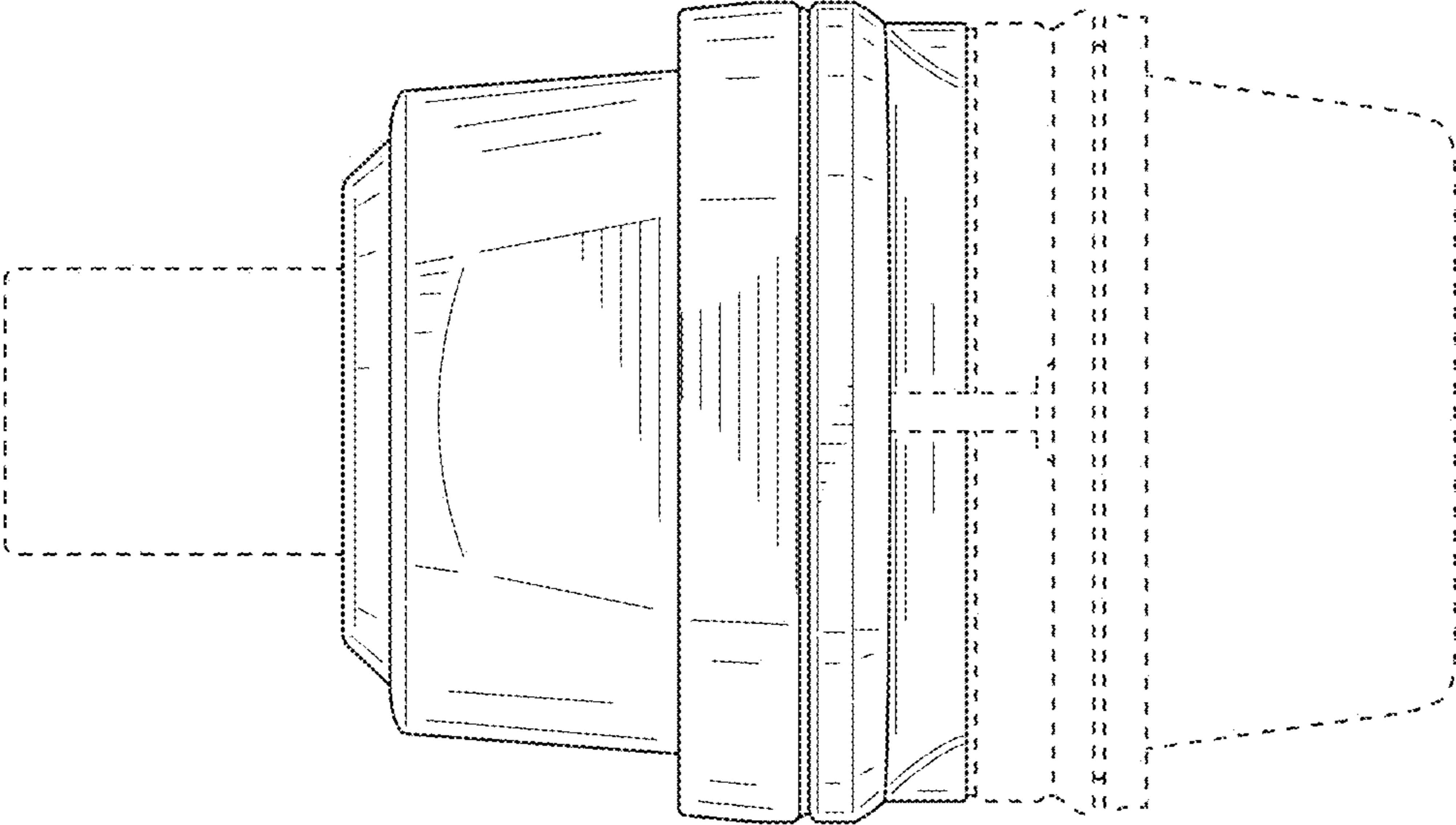


FIG. 5

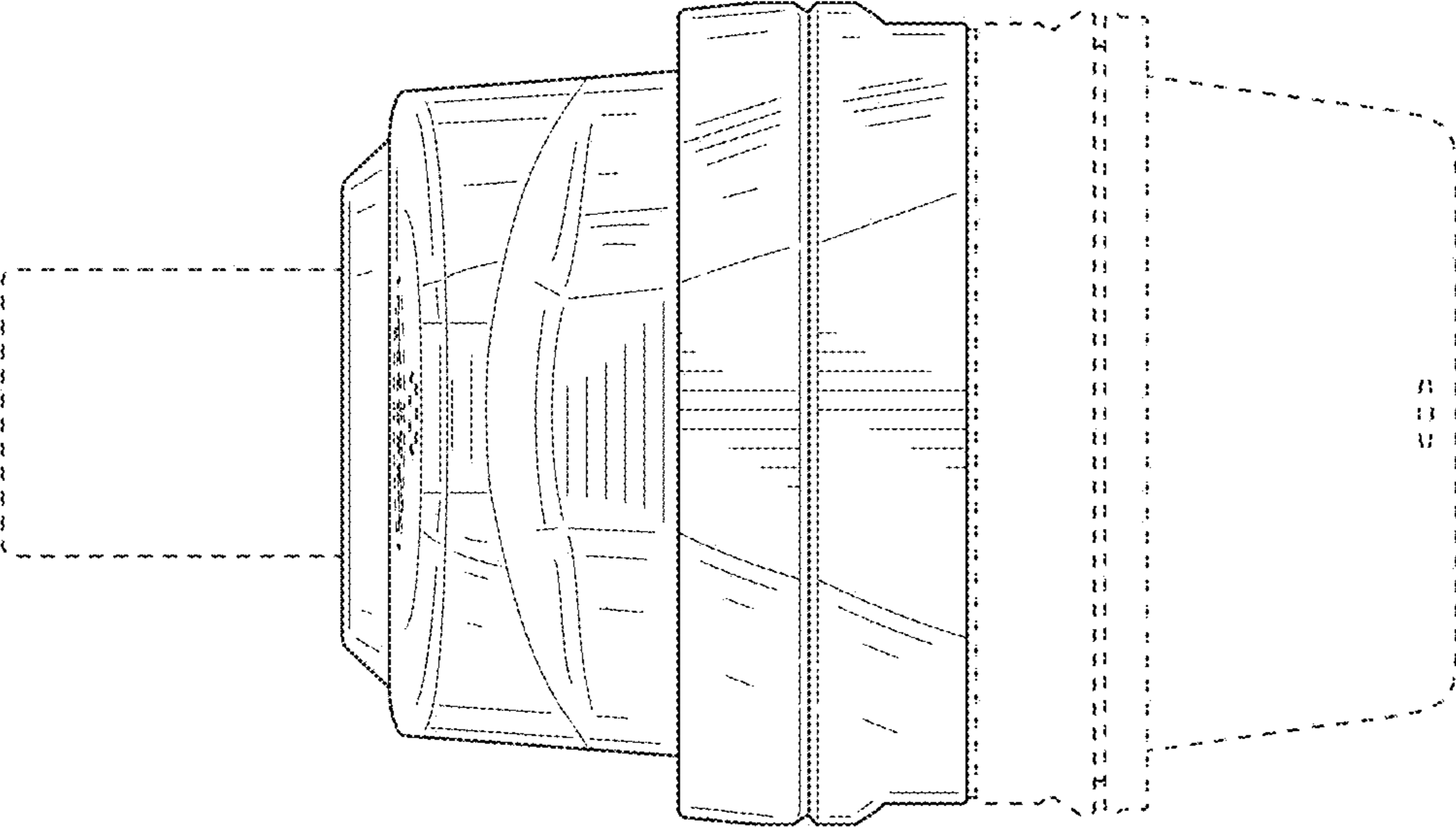


FIG. 6

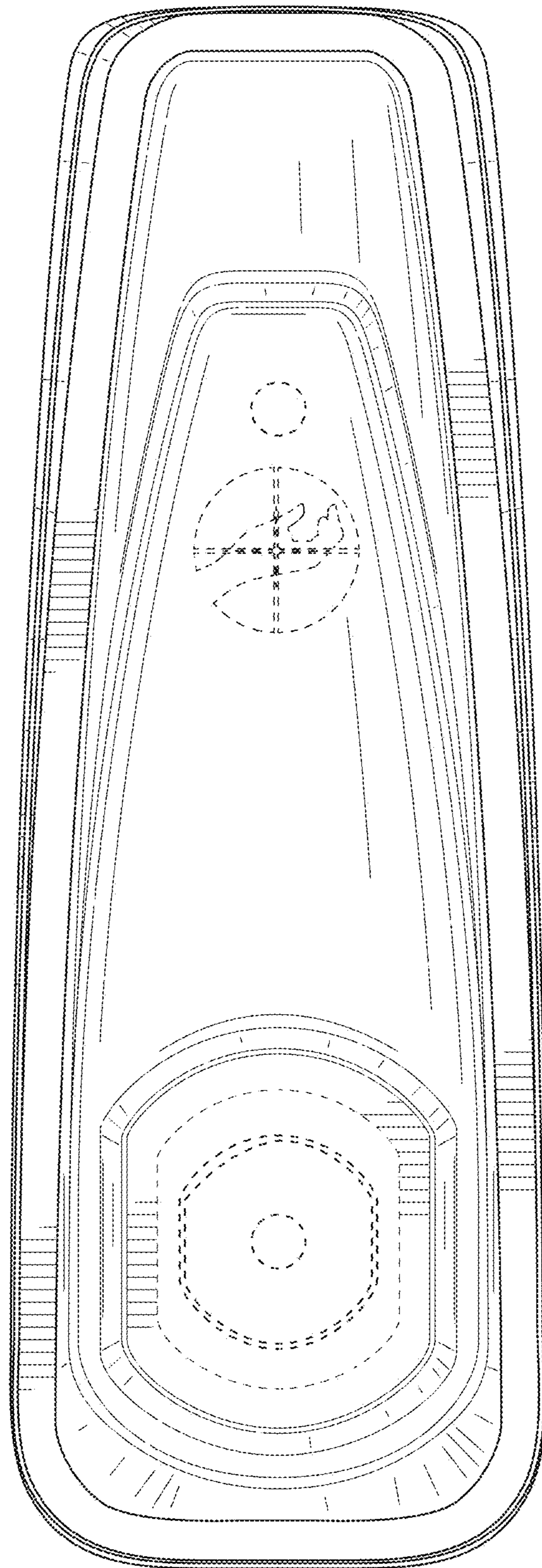


FIG. 7

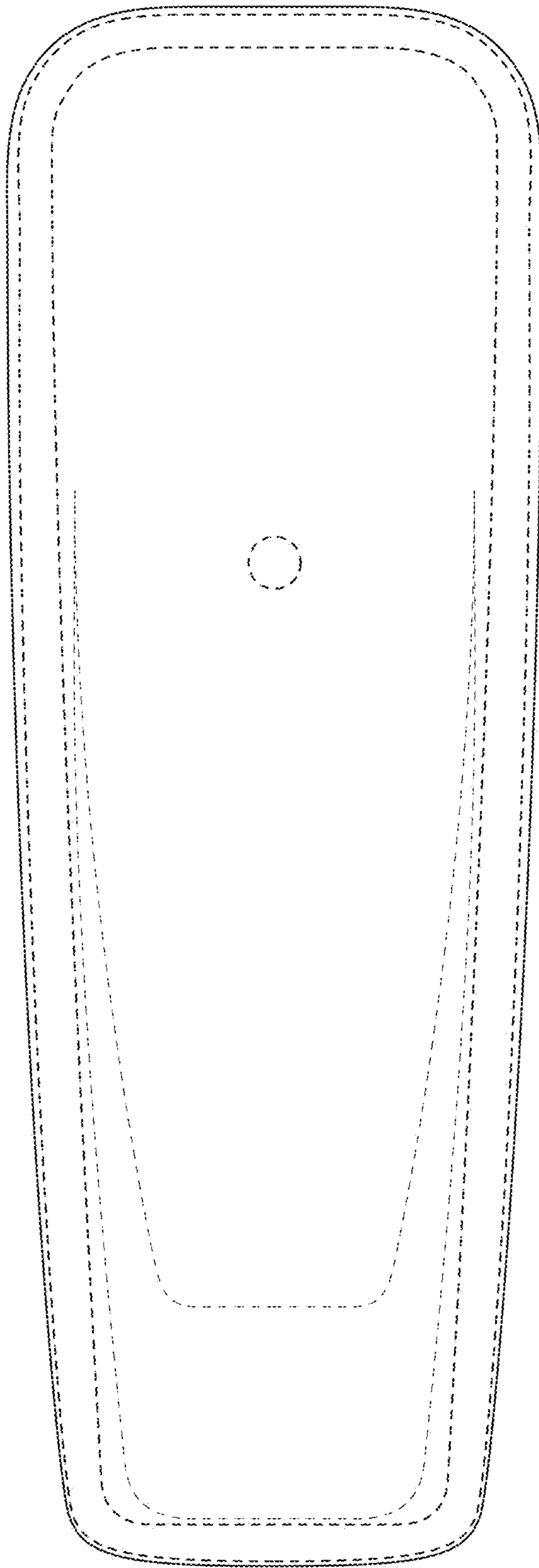


FIG. 8

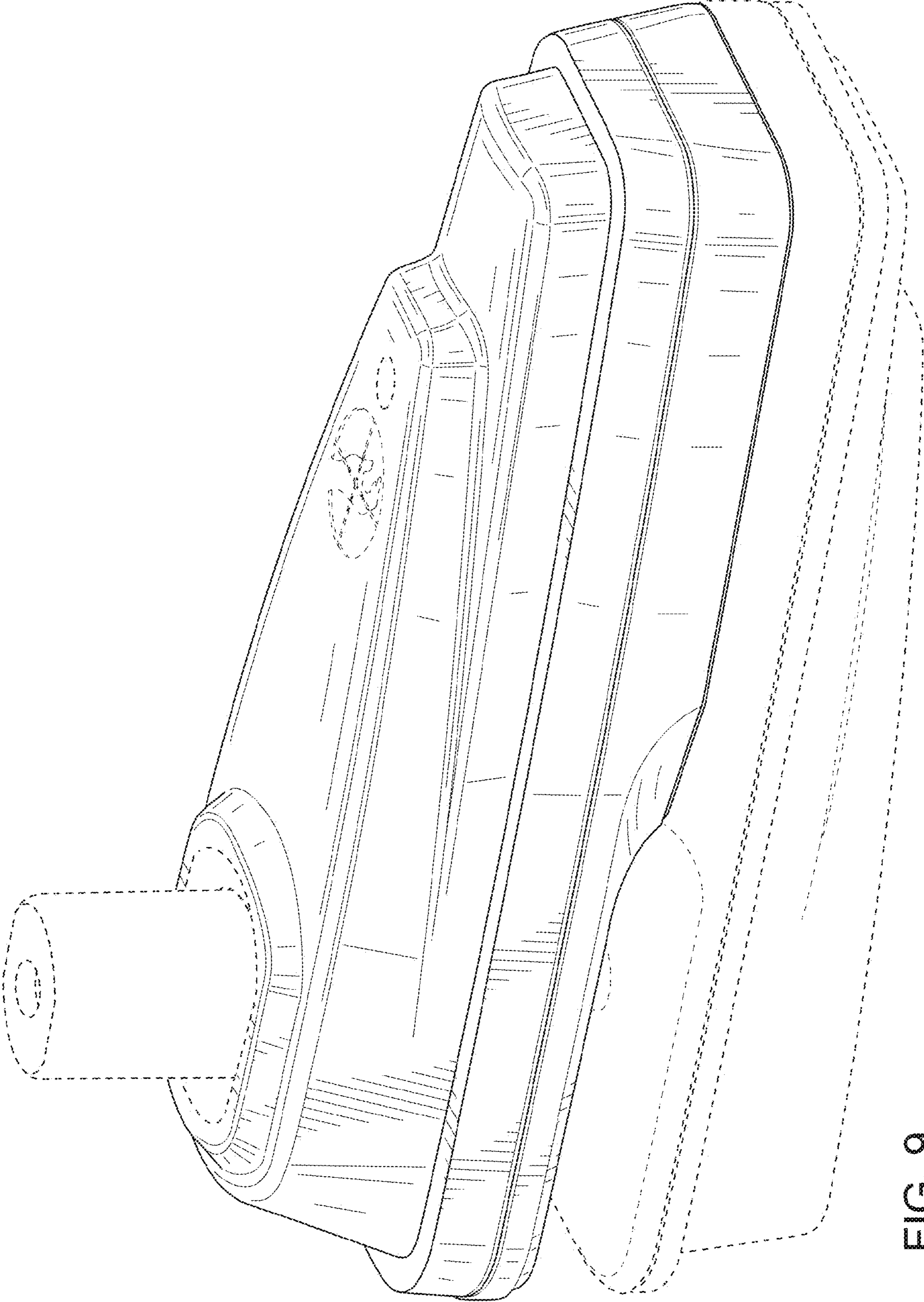


FIG. 9

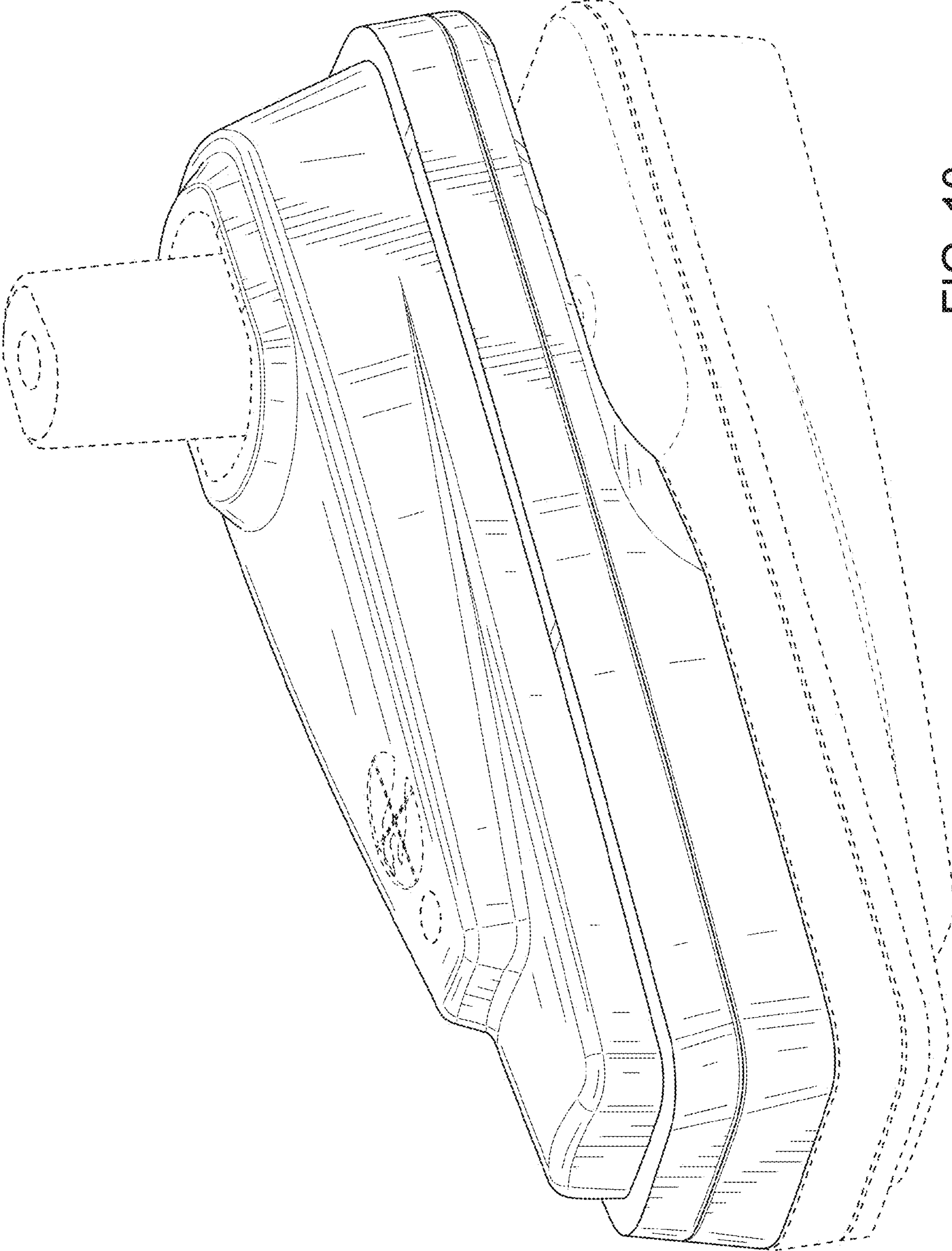


FIG. 10

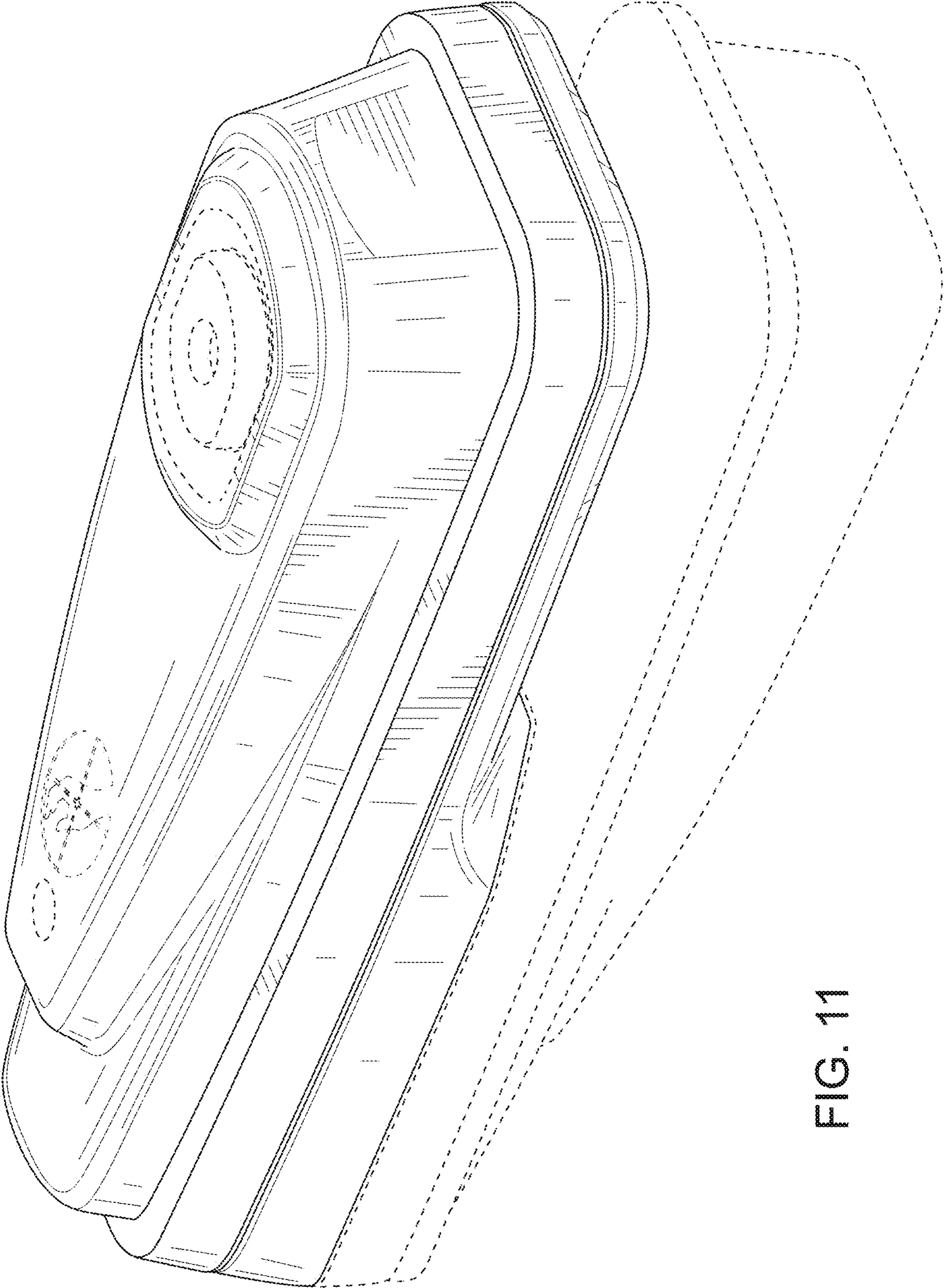


FIG. 11

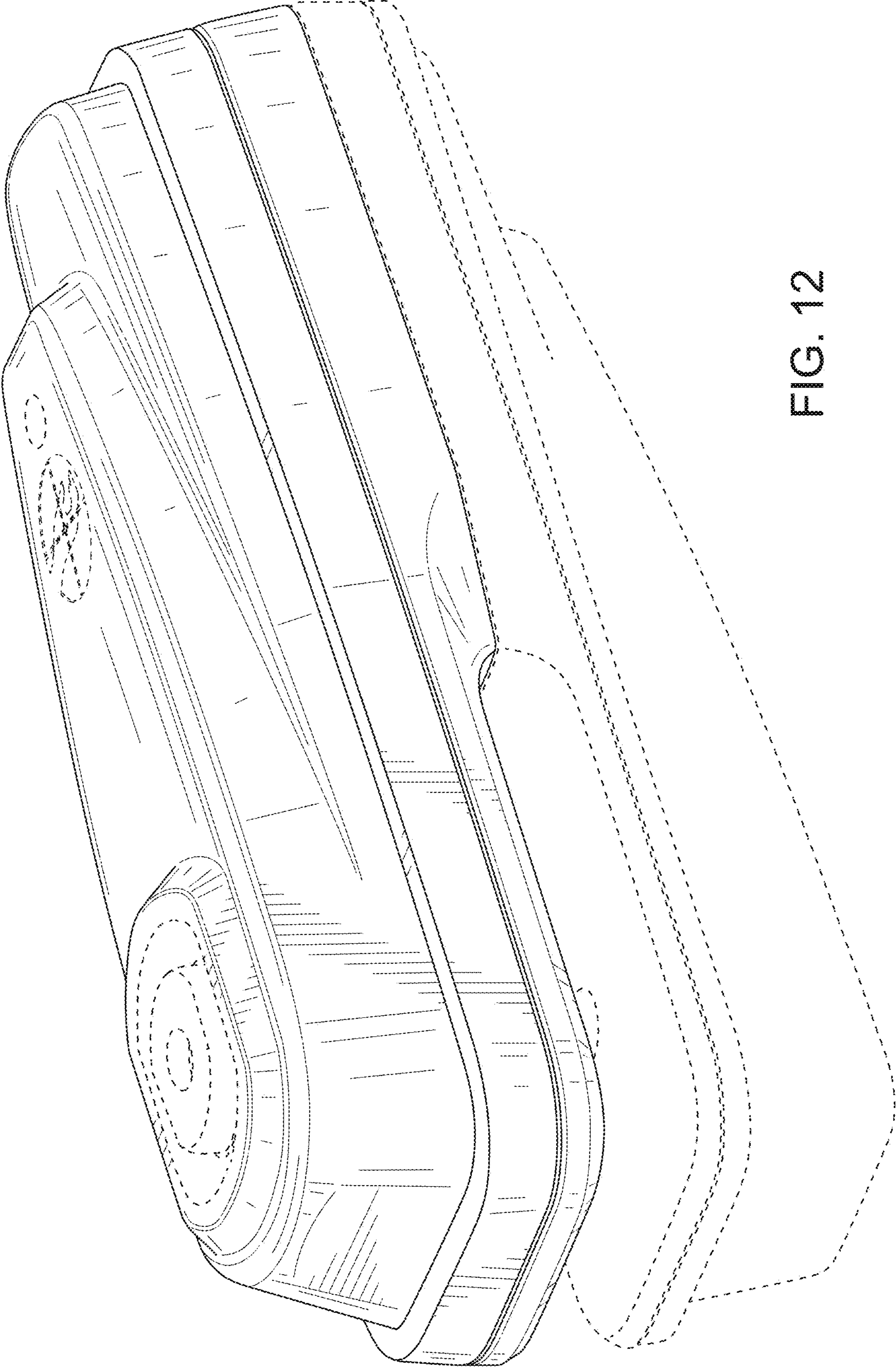


FIG. 12

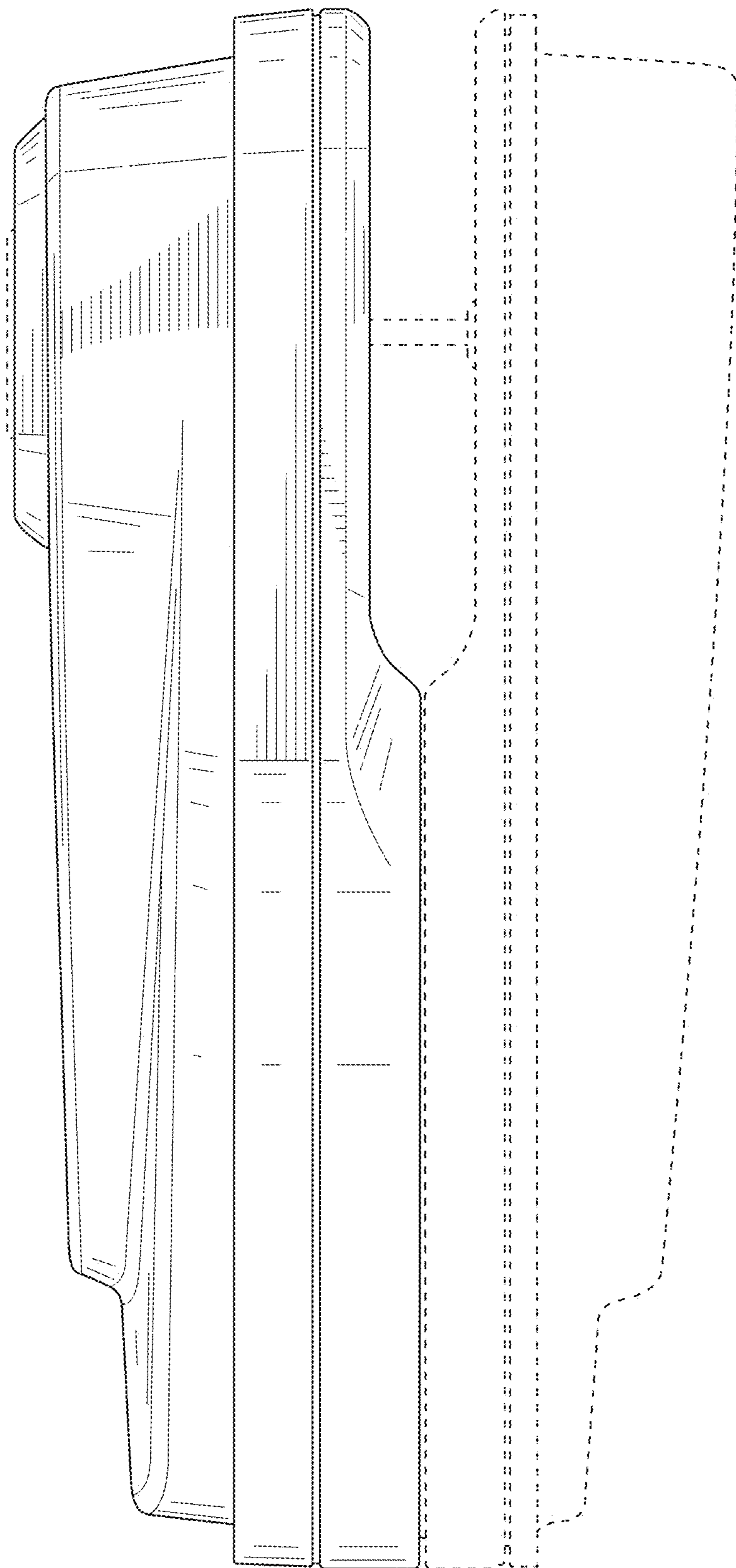


FIG. 13

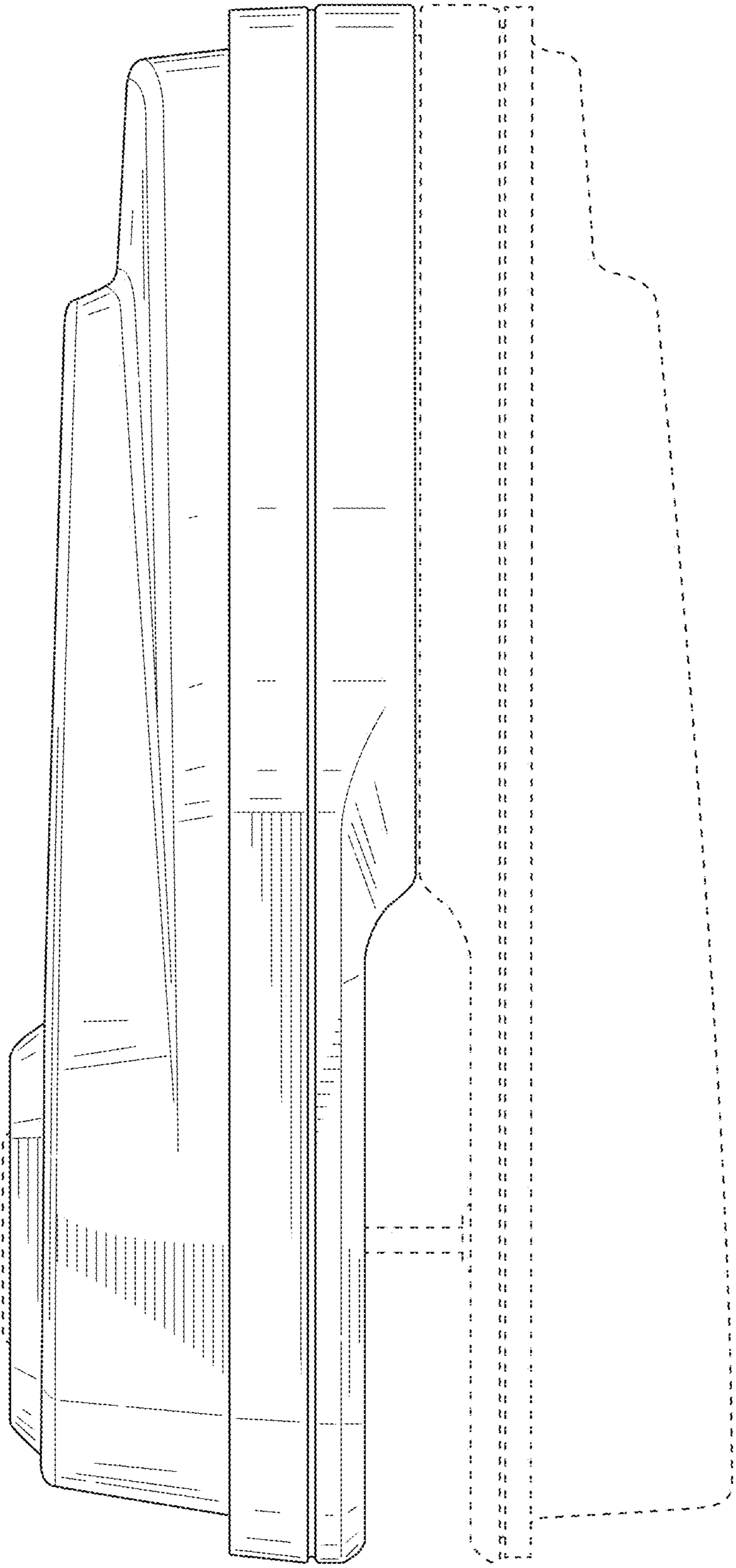


FIG. 14

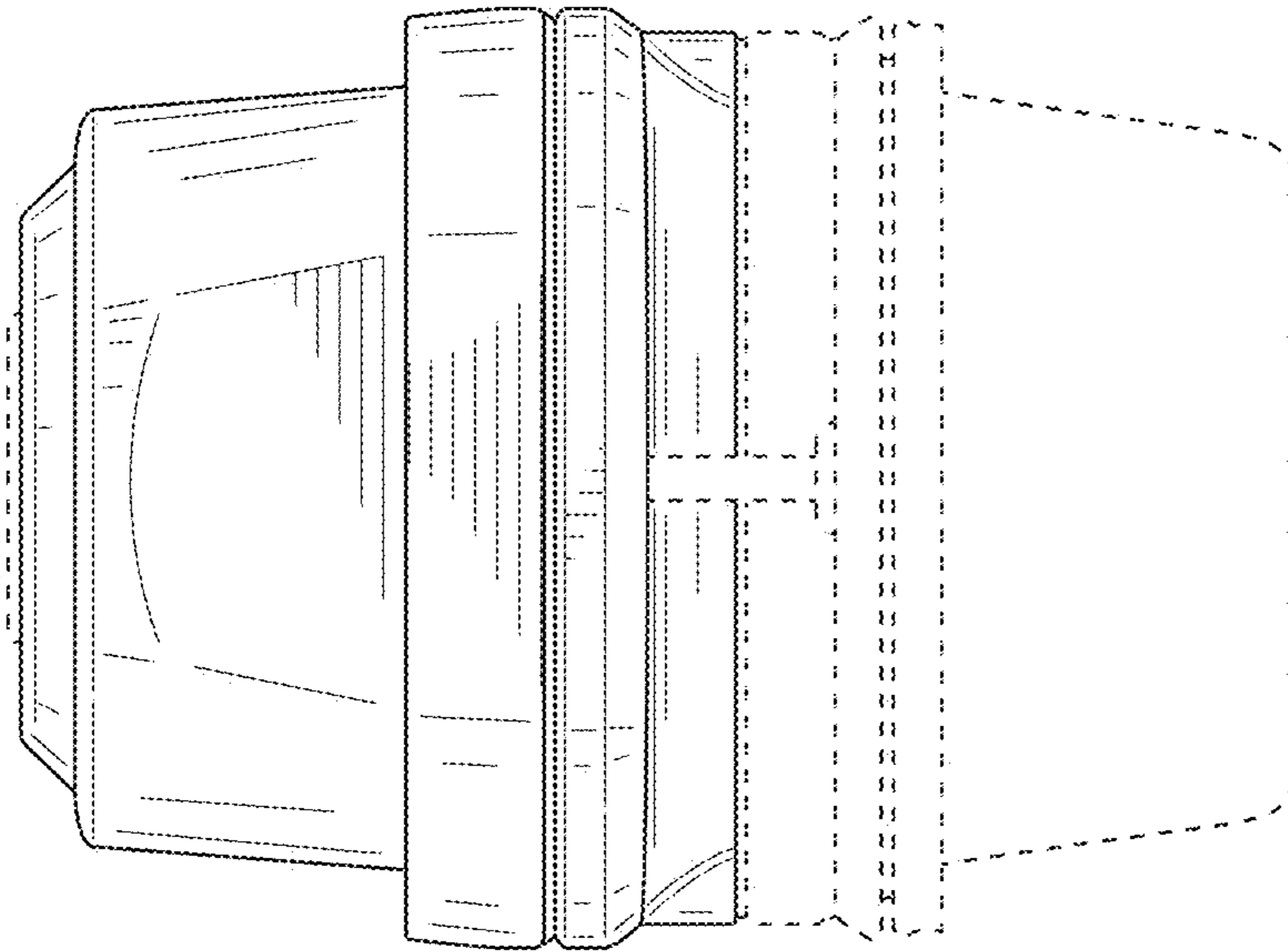


FIG. 15

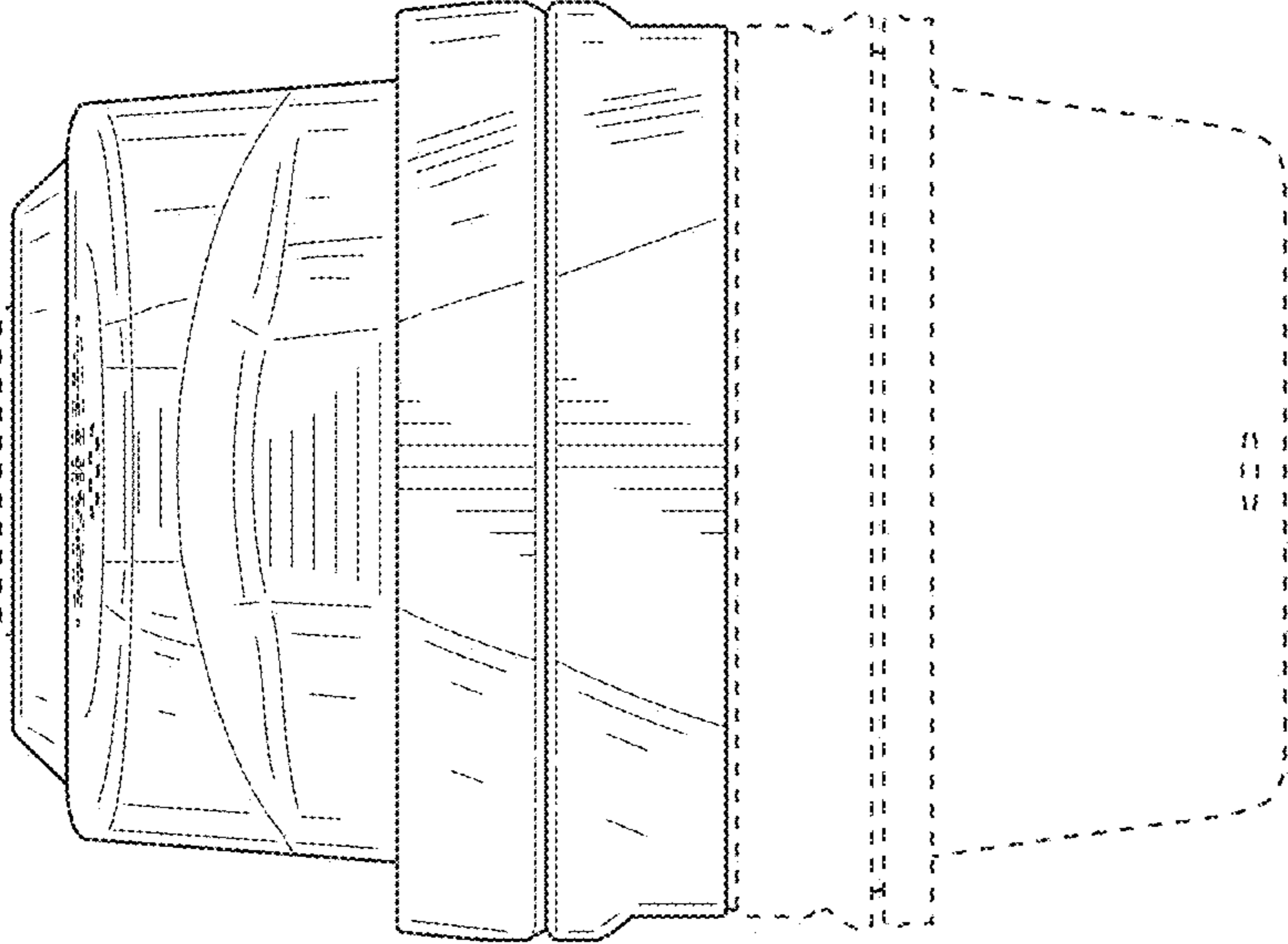


FIG. 16

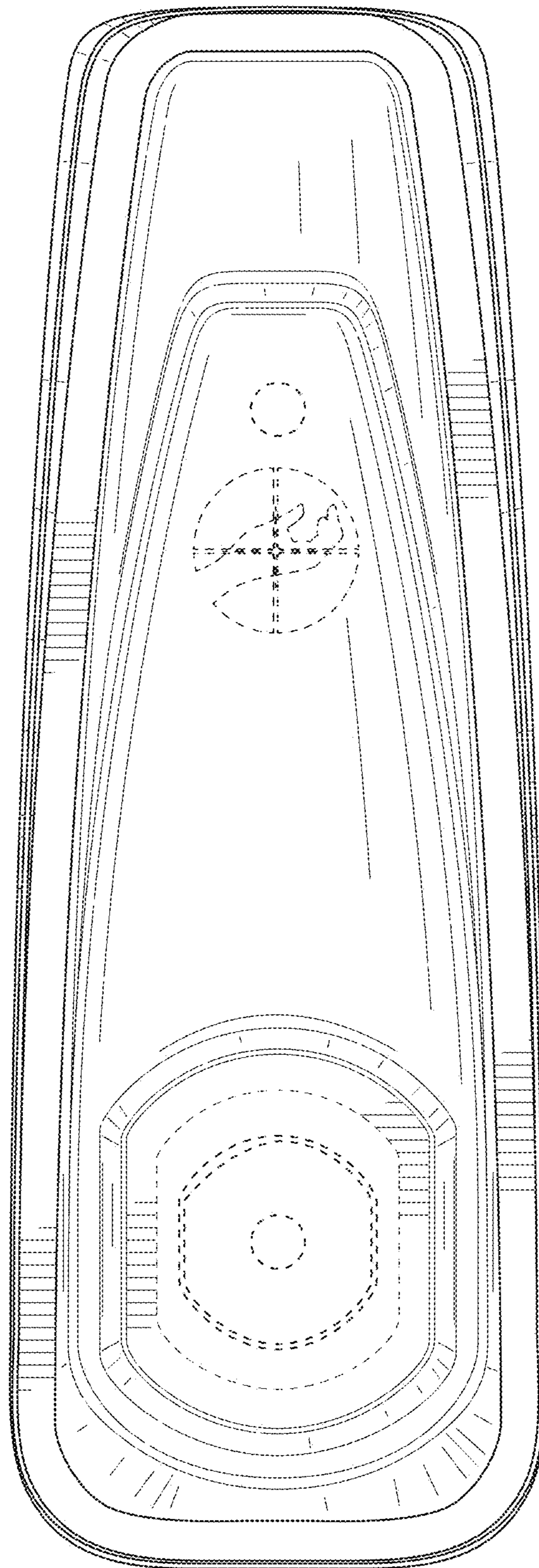


FIG. 17

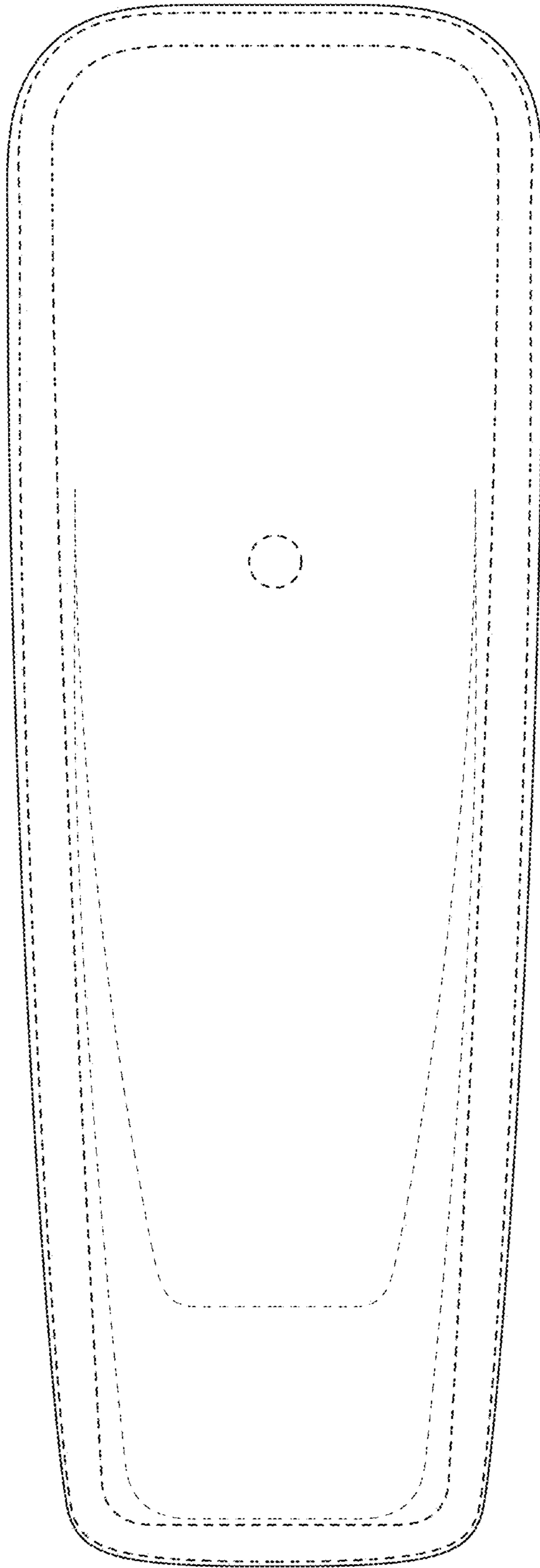


FIG. 18

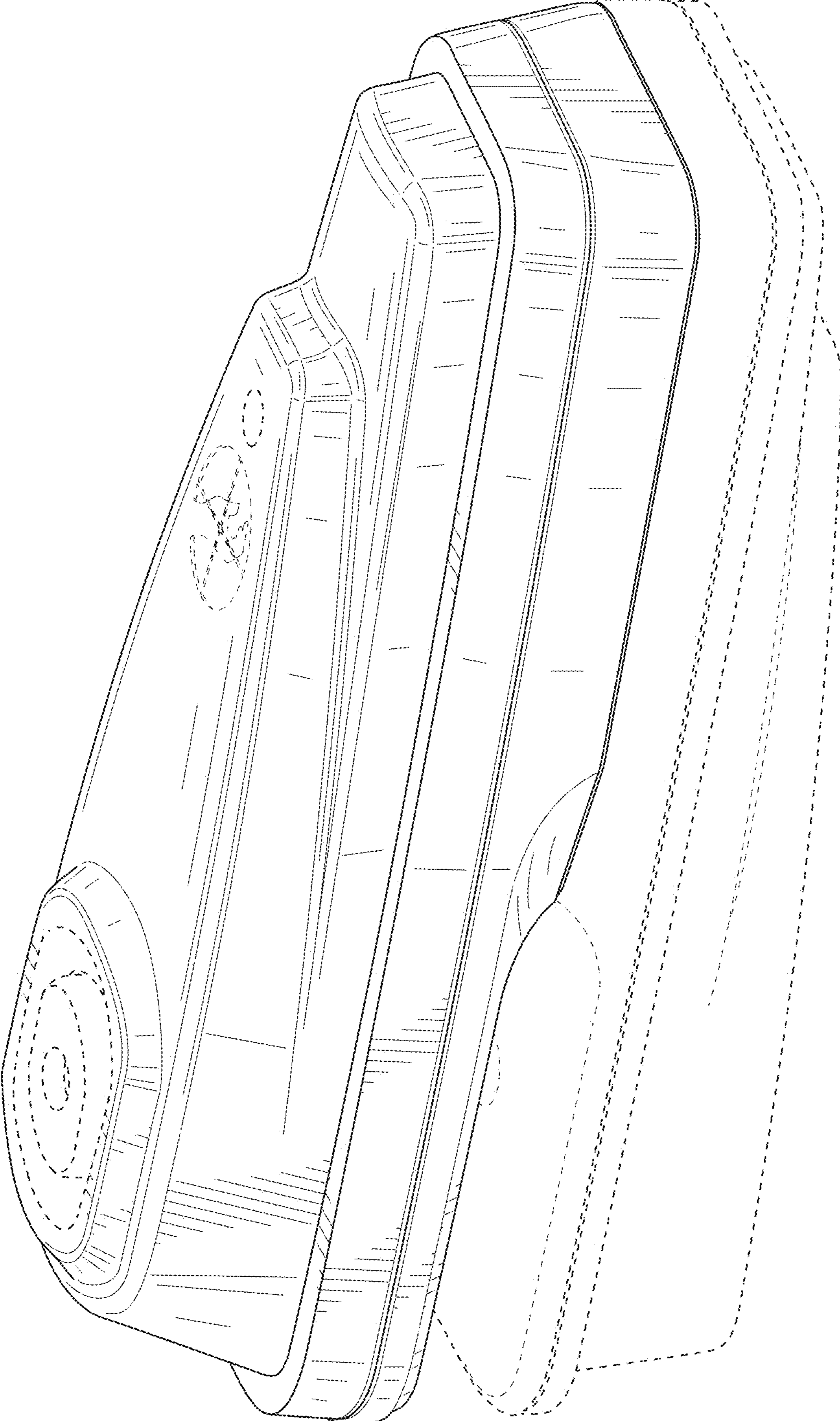


FIG. 19

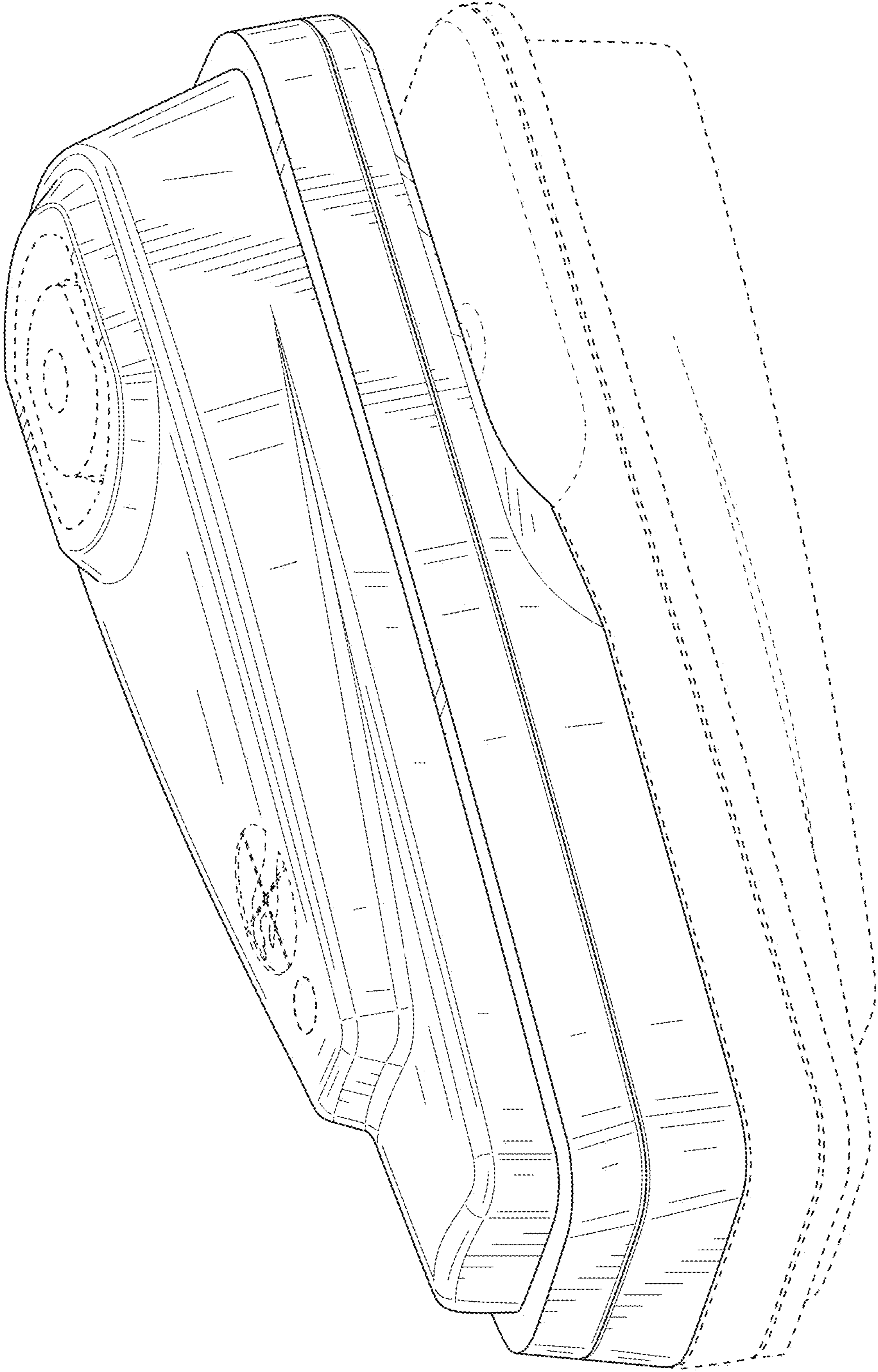


FIG. 20