



US00D988894S

(12) **United States Design Patent**
Miller et al.

(10) **Patent No.:** **US D988,894 S**
(45) **Date of Patent:** **** Jun. 13, 2023**

(54) **SECURITY TAG WITH RETRACTABLE PIN**

Primary Examiner — Katrina N Gonzalez

(71) Applicant: **Sensormatic Electronics, LLC**, Boca Raton, FL (US)

(74) *Attorney, Agent, or Firm* — ArentFox Schiff LLP

(72) Inventors: **Channing Everet Miller**, Fort Lauderdale, FL (US); **Sergio M. Perez**, Boca Raton, FL (US)

(57) **CLAIM**

The ornamental design for a security tag with retractable pin, as shown and described.

(73) Assignee: **Sensormatic Electronics, LLC**, Boca Raton, FL (US)

DESCRIPTION

(**) Term: **15 Years**

(21) Appl. No.: **29/755,783**

FIG. 1 is a front left perspective view showing our new design in an unlocked configuration, in which a movable locking button is in an undepressed position;

(22) Filed: **Oct. 22, 2020**

FIG. 2 is a front right perspective view of the design shown in FIG. 1;

Related U.S. Application Data

(63) Continuation of application No. 29/639,063, filed on Mar. 2, 2018, now Pat. No. Des. 915,918.

FIG. 3 is a left side view of the design shown in FIG. 1;

(51) **LOC (14) Cl.** **10-05**

FIG. 4 is a right side view of the design shown in FIG. 1;

(52) **U.S. Cl.**

USPC **D10/106.91**

FIG. 5 is a front view of the design shown in FIG. 1;

(58) **Field of Classification Search**

USPC D10/104.1, 106.9, 106.91, 106.93, 109.1; 70/57.1; D14/140, 142, 240, 217, 218, (Continued)

FIG. 6 is a rear view of the design shown in FIG. 1;

(56) **References Cited**

U.S. PATENT DOCUMENTS

D343,135 S 1/1994 Witzky et al.
D361,704 S * 8/1995 Witzky D8/51
(Continued)

FIG. 7 is a top plan view of the design shown in FIG. 1;

FIG. 8 is a bottom plan view of the design shown in FIG. 1;

FIG. 9 is a rear right perspective view of the design shown in FIG. 1;

FIG. 10 is a rear left perspective view of the design shown in FIG. 1;

FIG. 11 is a front left perspective view showing our new design in a locked configuration, in which a movable locking button is in a depressed position;

FIG. 12 is a front right perspective view of the design shown in FIG. 11;

FIG. 13 is a left side view of the design shown in FIG. 11;

FIG. 14 is a right side view of the design shown in FIG. 11;

FIG. 15 is a front view of the design shown in FIG. 11;

FIG. 16 is a rear view of the design shown in FIG. 11;

FIG. 17 is a top plan view of the design shown in FIG. 11;

FIG. 18 is a bottom plan view of the design shown in FIG. 11;

FIG. 19 is a rear right perspective view of the design shown in FIG. 11; and,

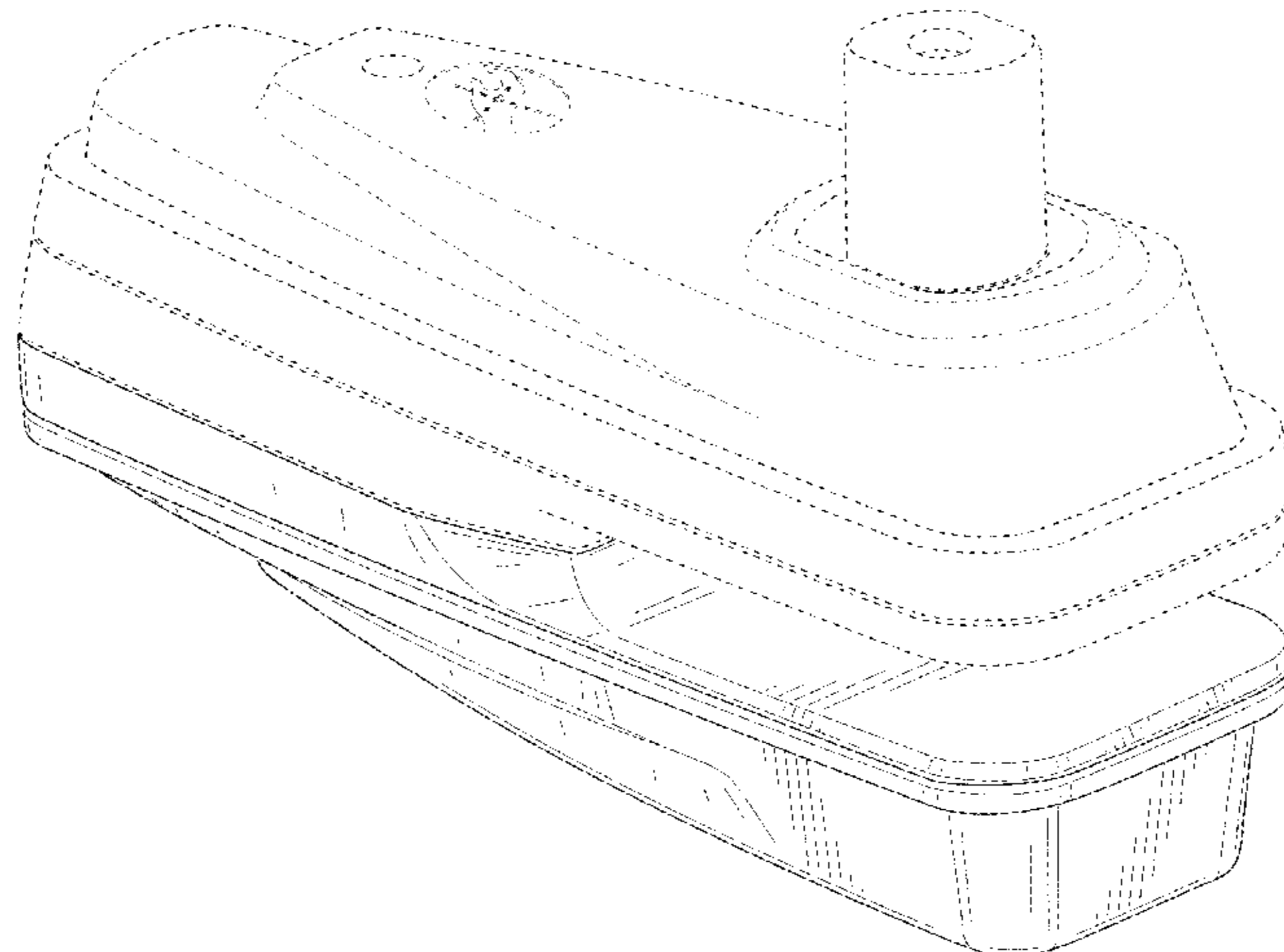
FIG. 20 is a rear left perspective view of the design shown in FIG. 11.

OTHER PUBLICATIONS

“Sensormatic Infuzion Magnetic Tag” available May 5, 2019, [online], [site visited Nov. 3, 2022]. Retrieved from Internet, URL:https://web.archive.org/web/20190505150905/http://amartastore.com/index.php?route=product/product&product_id=3337 (Year: 2019).*

(Continued)

(Continued)



The broken lines shown in the figures are included for the purpose of illustrating portions of the security tag with retractable pin and form no part of the claimed design.

1 Claim, 20 Drawing Sheets

(58) **Field of Classification Search**

USPC D14/155, 356, 357, 358, 359, 383, 385, D14/432, 435, 435.1, 447, 553, 480.1, D14/480.3, 480.5, 480.7, 483, 484.1; D3/208; D13/168; D8/347; D20/22
 CPC H04W 4/80; H04W 4/029; H04W 12/08; H04W 4/025; H04W 12/0023; H04W 12/02; H04W 12/04; H04W 12/06; H04W 4/046; H04W 4/40; H04W 52/0229; H04W 88/02; H04W 12/00407; H04W 12/12; H04W 40/244; H04W 48/12; H04W 48/16; H04W 4/00; H04W 4/023; H04W 4/026; H04W 4/027; H04W 4/04; H04W 4/06; H04W 4/18; H04W 4/21; H04W 4/24; H04W 4/30; H04W 4/33; H04W 4/35; H04W 4/44; H04W 4/70; H04W 64/00; H04W 64/006; H04W 76/10; H04W 76/15; H04W 76/34; H04W 84/042; H04W 84/047; H04W 84/12; H04W 84/18; H04W 88/06; H04W 8/26; H04W 92/20; H03D 9/02

See application file for complete search history.

(56)

References Cited

U.S. PATENT DOCUMENTS

D385,208 S * 10/1997 Chui D10/104.1
 D427,929 S 6/2000 Sayegh
 6,449,991 B1 9/2002 Hogan
 D466,426 S 12/2002 Proulx et al.
 D466,427 S * 12/2002 Huehner D10/106.91
 D468,223 S * 1/2003 Huehner D10/106.91
 D471,121 S * 3/2003 Perez D10/106.91
 D478,833 S * 8/2003 Belden, Jr. D10/106.91
 D492,214 S 6/2004 Sayegh et al.
 D559,720 S 1/2008 Raymond
 D569,288 S 5/2008 Raymond
 D605,066 S 12/2009 Raymond
 7,633,396 B2 * 12/2009 Lynce G08B 13/2434
 70/57.1

D609,125 S 2/2010 Perez
 D625,637 S 10/2010 Sayegh
 7,821,403 B2 * 10/2010 Hogan E05B 73/0017
 340/568.1
 D649,898 S * 12/2011 Yang D10/106.91
 8,350,702 B2 * 1/2013 Copeland G08B 13/2434
 340/572.7
 D679,209 S 4/2013 Reynolds et al.
 D686,099 S 7/2013 Sayegh et al.
 D696,150 S 12/2013 Wu et al.
 D696,151 S 12/2013 Wu et al.
 D696,599 S 12/2013 Luo et al.
 D696,600 S 12/2013 Wu et al.
 D698,273 S 1/2014 Sayegh et al.
 8,683,830 B2 1/2014 Conti
 D705,686 S 5/2014 Wu et al.
 D706,153 S 6/2014 Sayegh et al.
 D709,398 S 7/2014 Leyden
 D714,670 S 7/2014 Wu et al.
 D714,176 S 9/2014 Perez et al.
 D742,772 S 11/2015 Yang
 9,734,683 B1 8/2017 Perez
 D818,043 S 5/2018 Zhao
 D837,885 S 1/2019 Jacobson et al.
 D871,947 S * 1/2020 Simoneau D10/106.91
 D873,916 S 1/2020 King et al.
 D882,440 S * 4/2020 Miller D10/106.91
 D885,953 S * 6/2020 Naphine D10/106.91
 D892,660 S * 8/2020 Perez D10/106.91
 D895,012 S 9/2020 Schnug
 D915,918 S * 4/2021 Miller D10/106.91
 11,055,977 B2 * 7/2021 Perez G08B 13/2434
 D930,745 S 9/2021 King et al.
 D952,494 S 5/2022 Miller
 D962,806 S * 9/2022 Miller D10/106.91
 2006/0254326 A1 11/2006 Lax et al.
 2013/0340489 A1 12/2013 Koslowski, Jr. et al.
 2019/0188983 A1 6/2019 Eilers et al.
 2021/0012634 A1 * 1/2021 Claeys E05B 47/0012
 2021/0087857 A1 3/2021 Claeys et al.
 2022/0092955 A1 * 3/2022 Claeys G08B 13/2417

OTHER PUBLICATIONS

“How to open & overview Sensormatic InFuzion Tag” available Mar. 26, 2021, [online], [site visited Nov. 3, 2022]. Retrieved from Internet, URL: <https://www.youtube.com/watch?v=6MlljGI3xlk> (Year: 2021).*

“Sensormatic InFuzion Tag” available Jun. 28, 2021, [online], [site visited Nov. 3, 2022]. Retrieved from Internet, URL: <https://www.eastek-onlineshop.com/013017> (Year: 2021).*

* cited by examiner

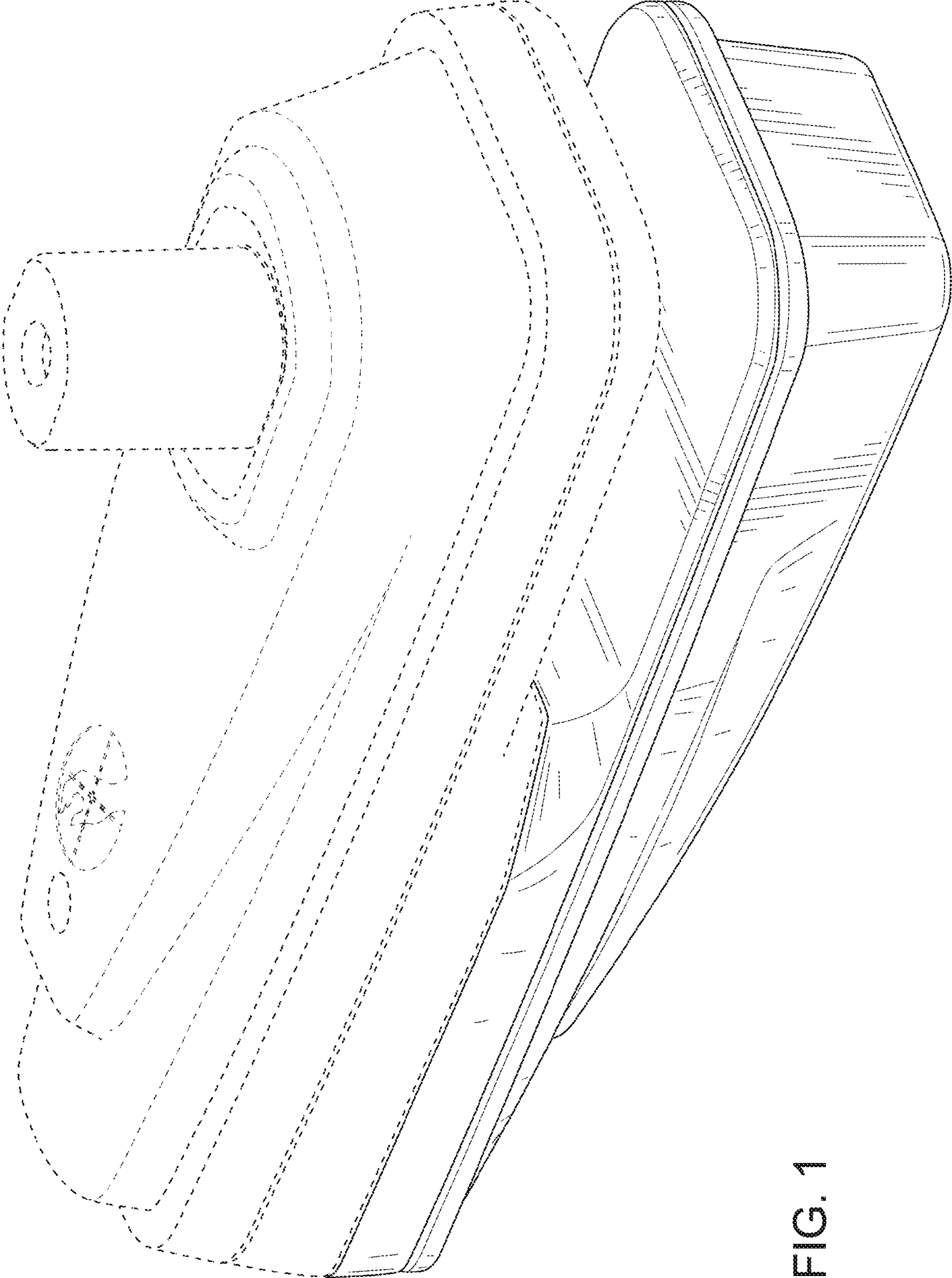


FIG. 1

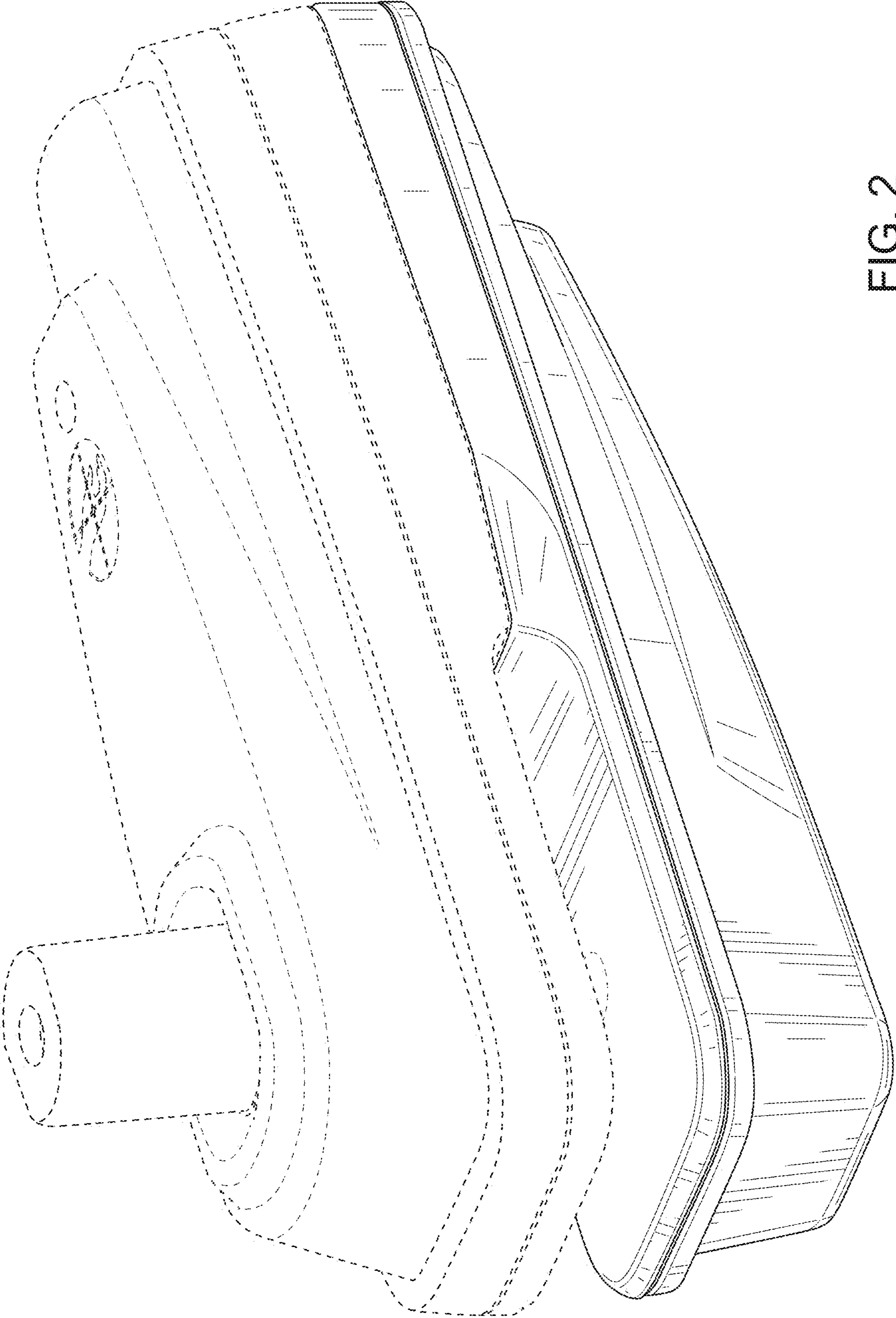


FIG. 2

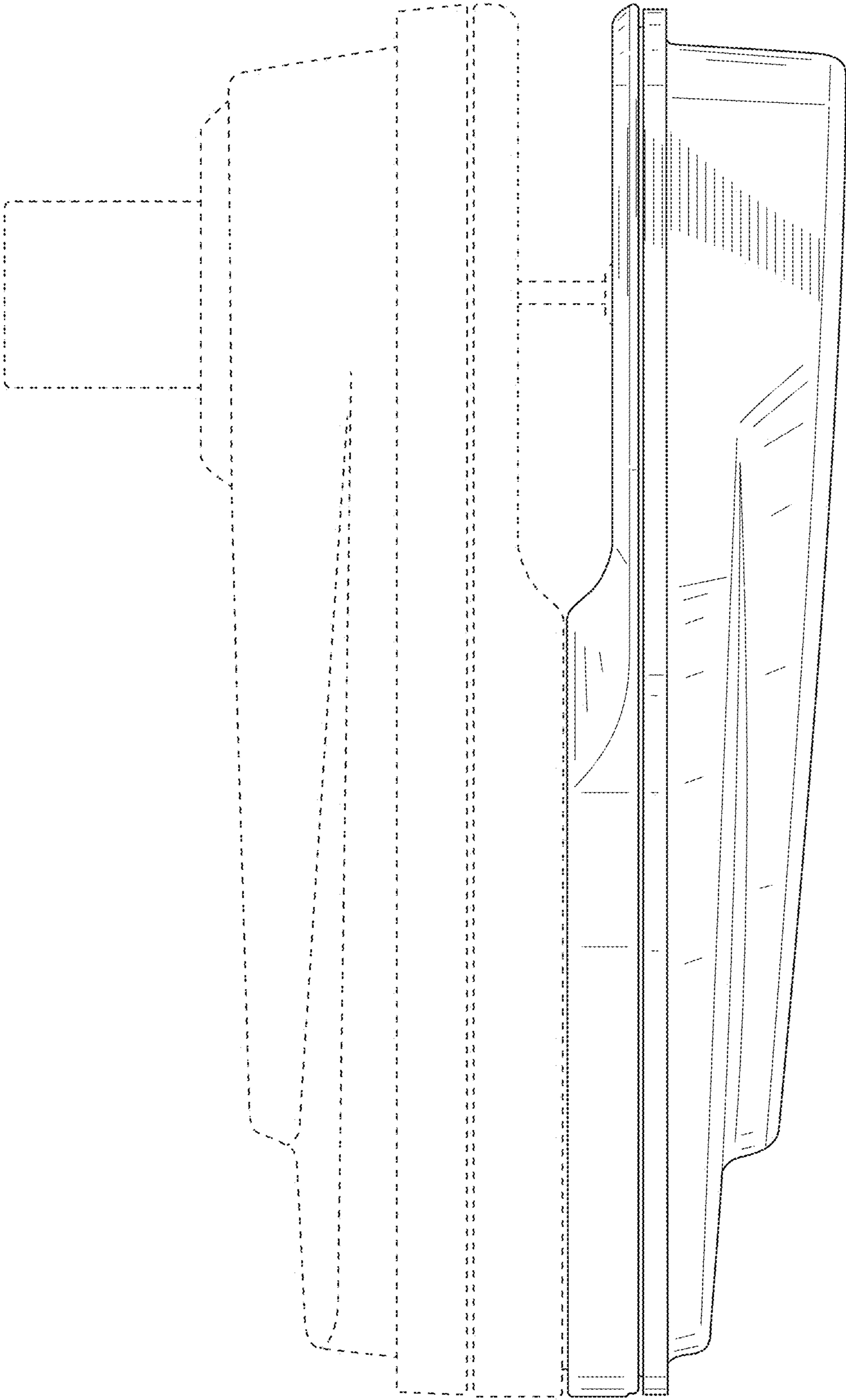


FIG. 3

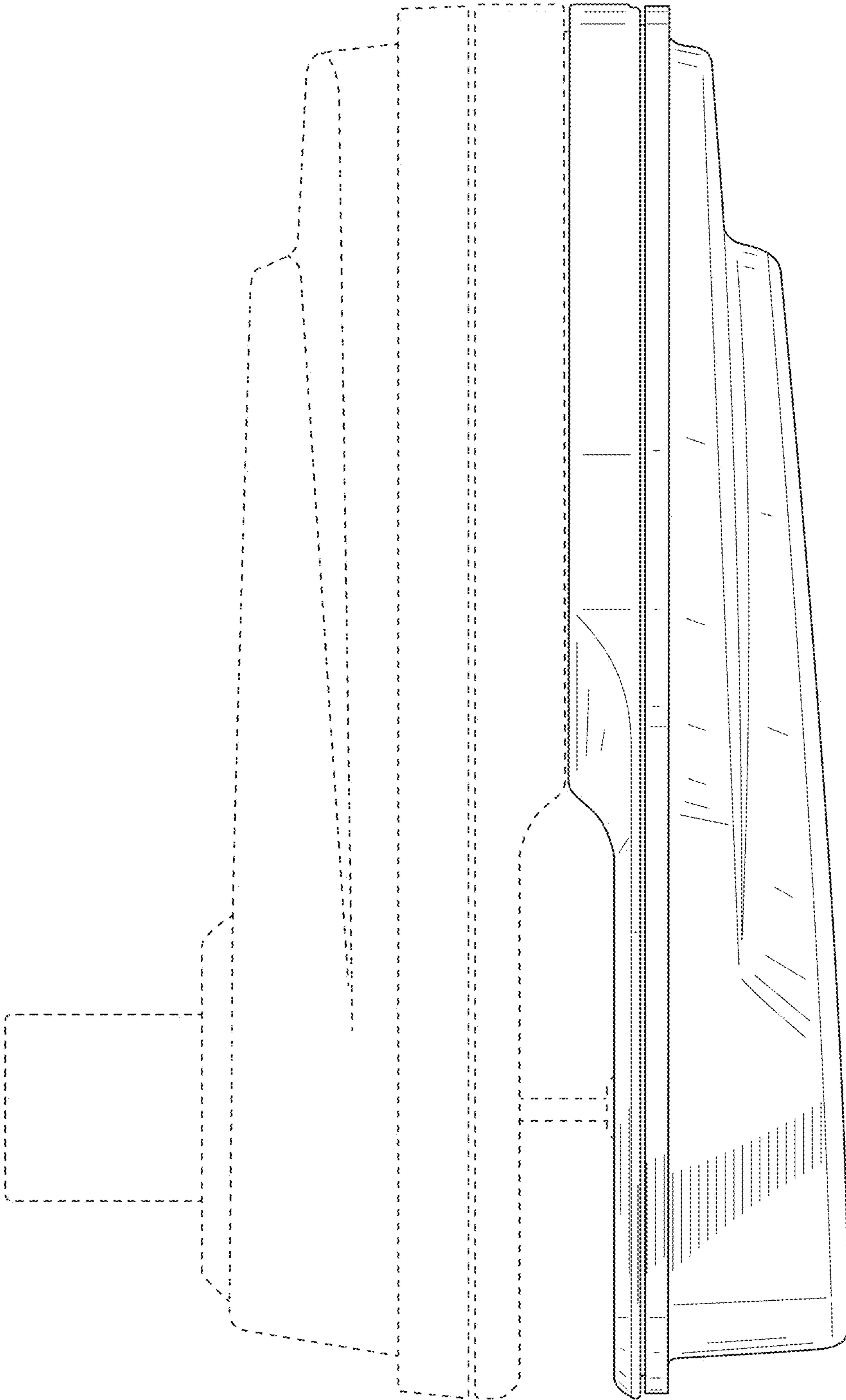


FIG. 4

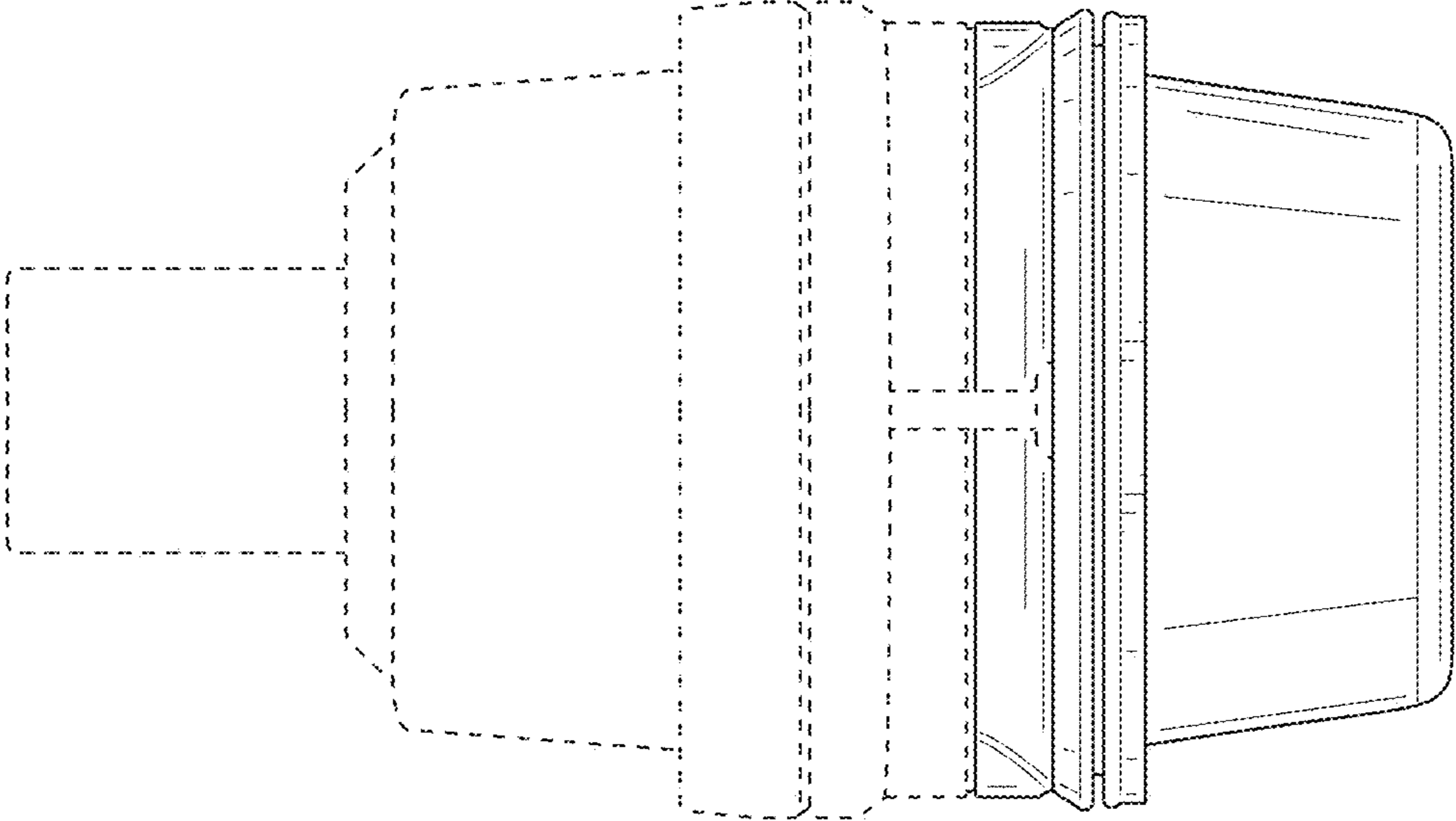


FIG. 5

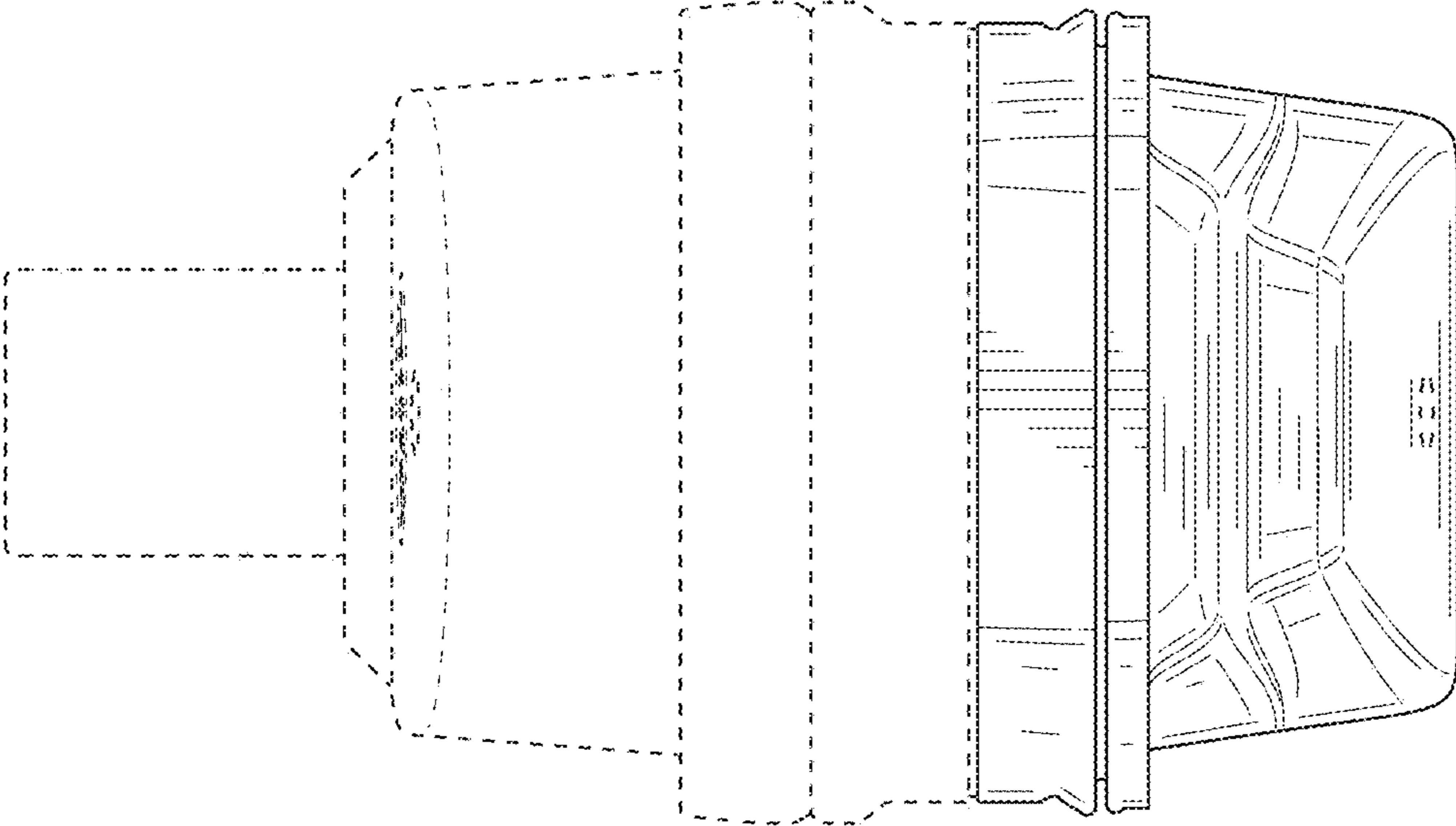


FIG. 6

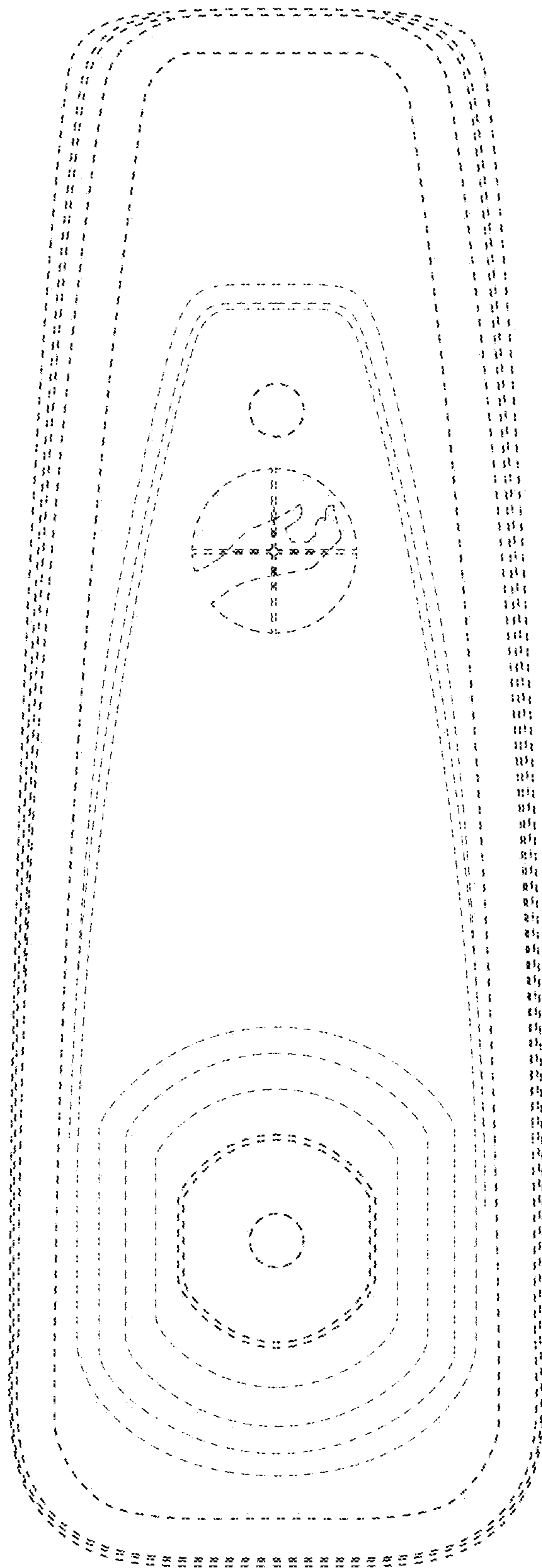


FIG. 7

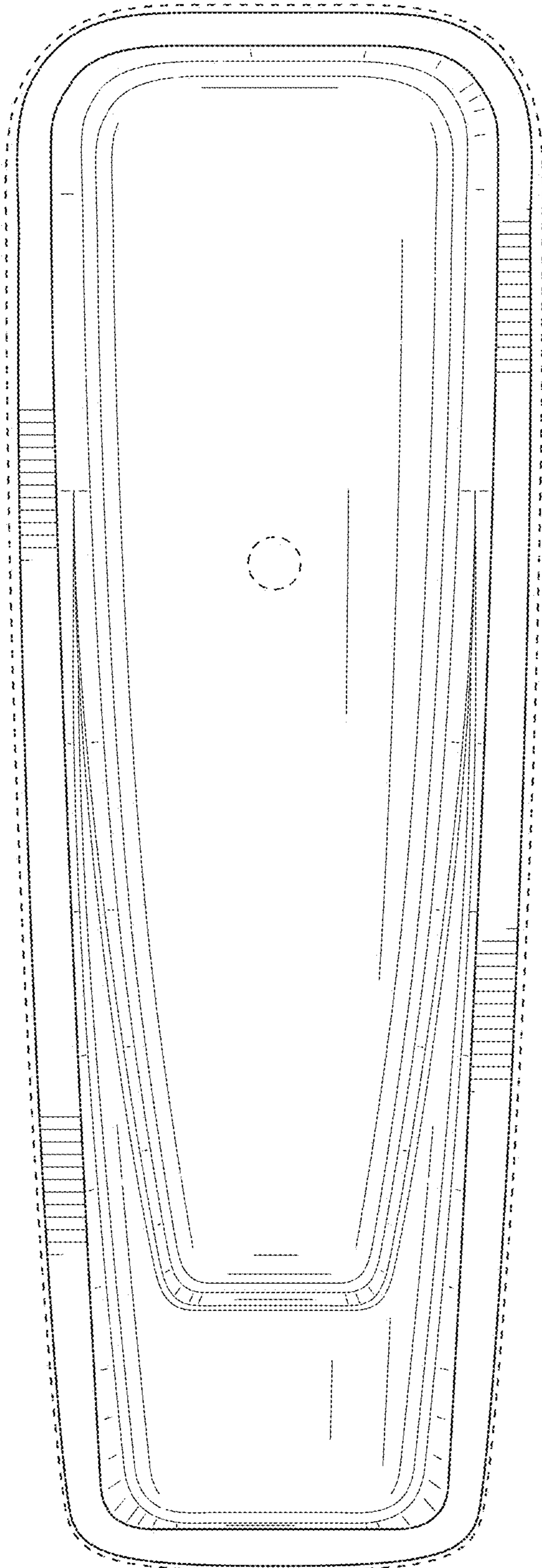


FIG. 8

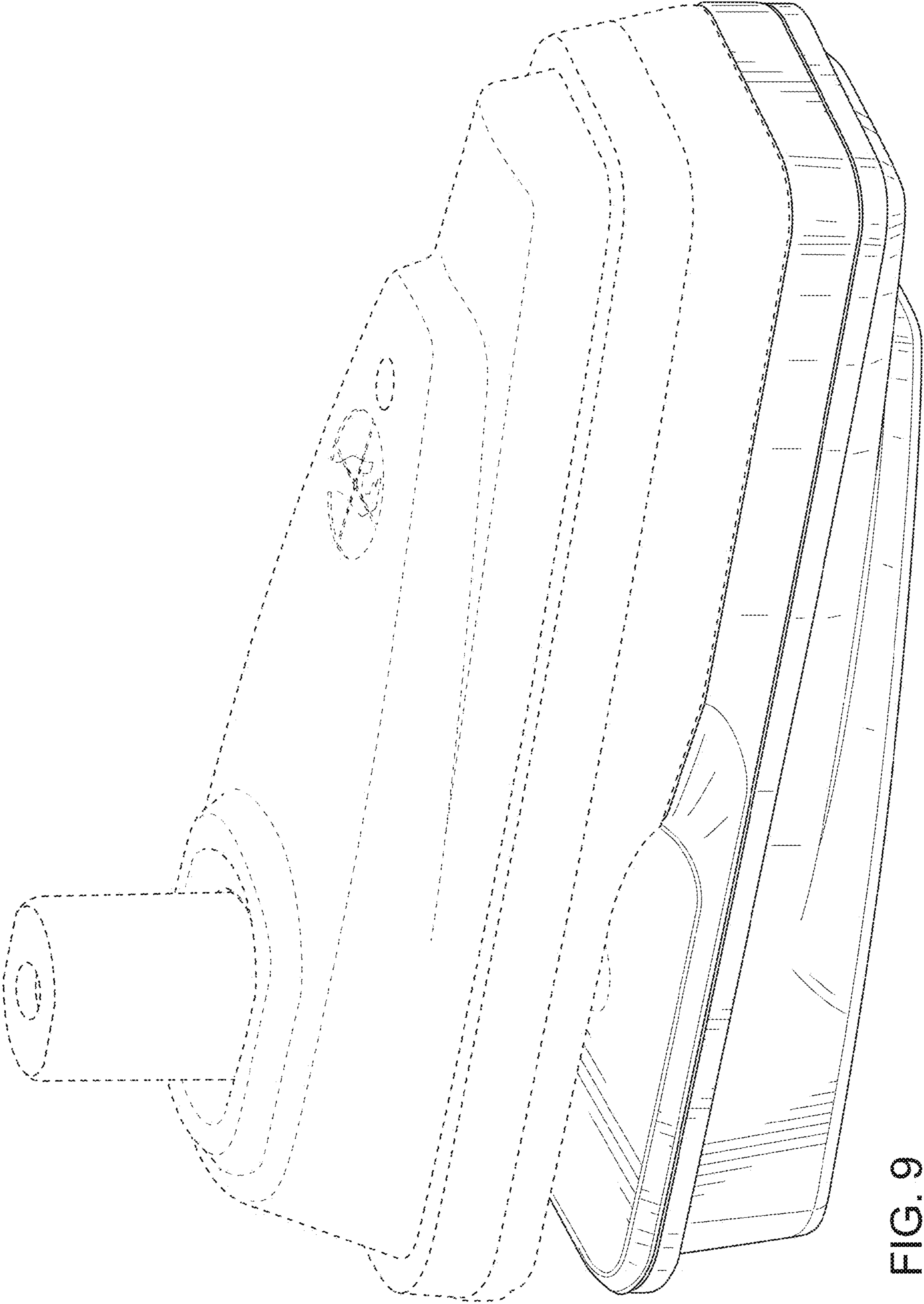


FIG. 9

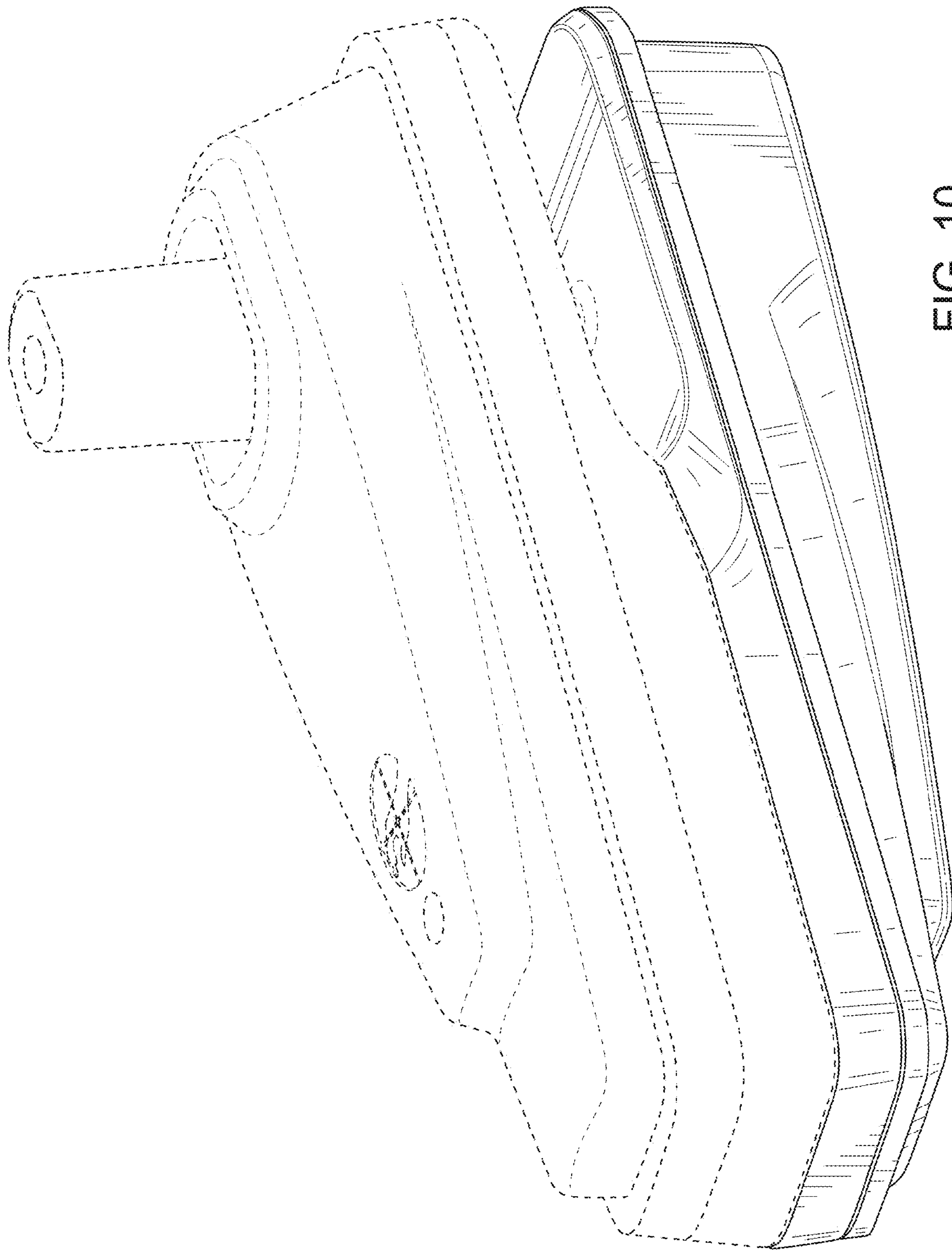


FIG. 10

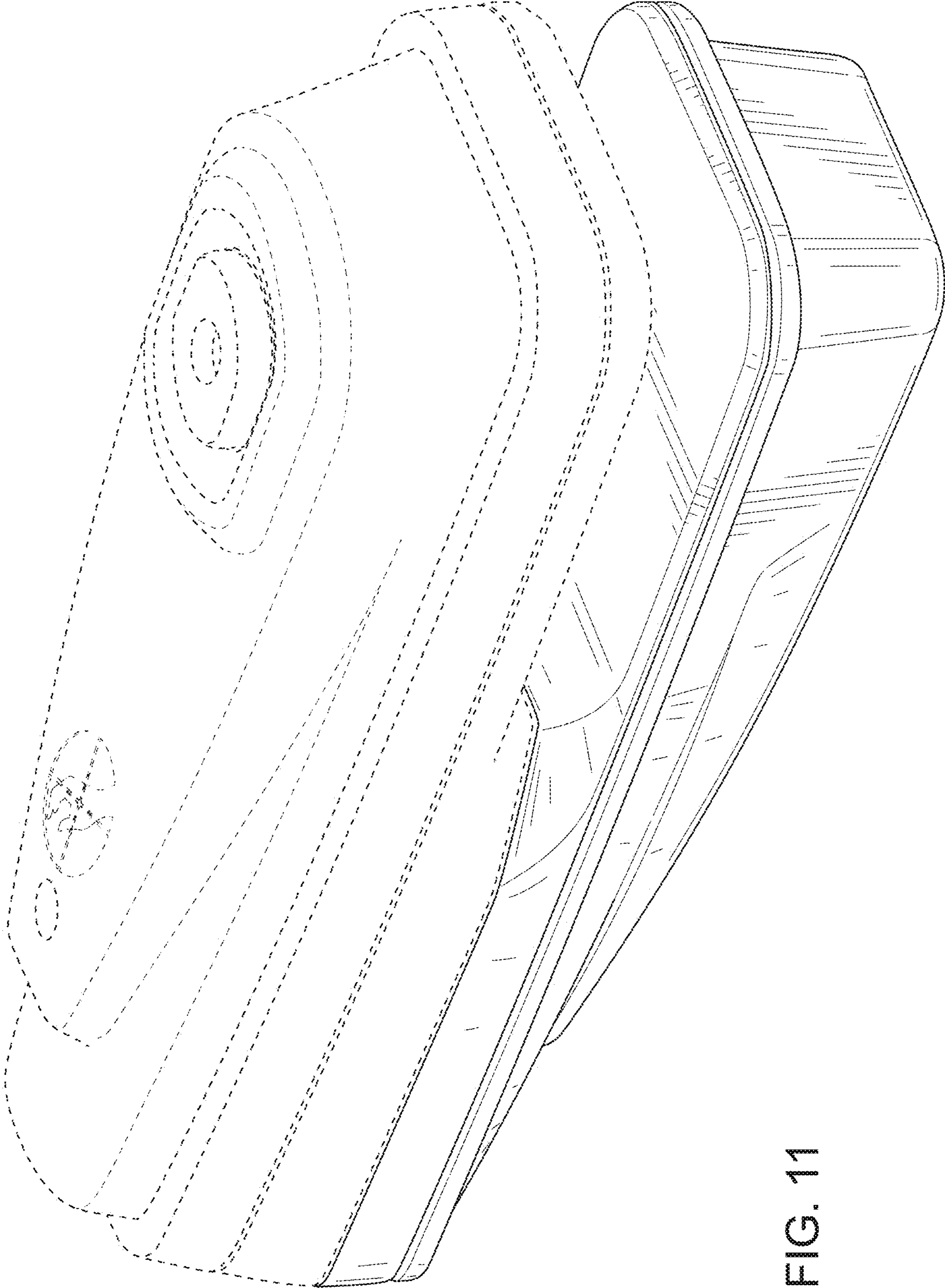


FIG. 11

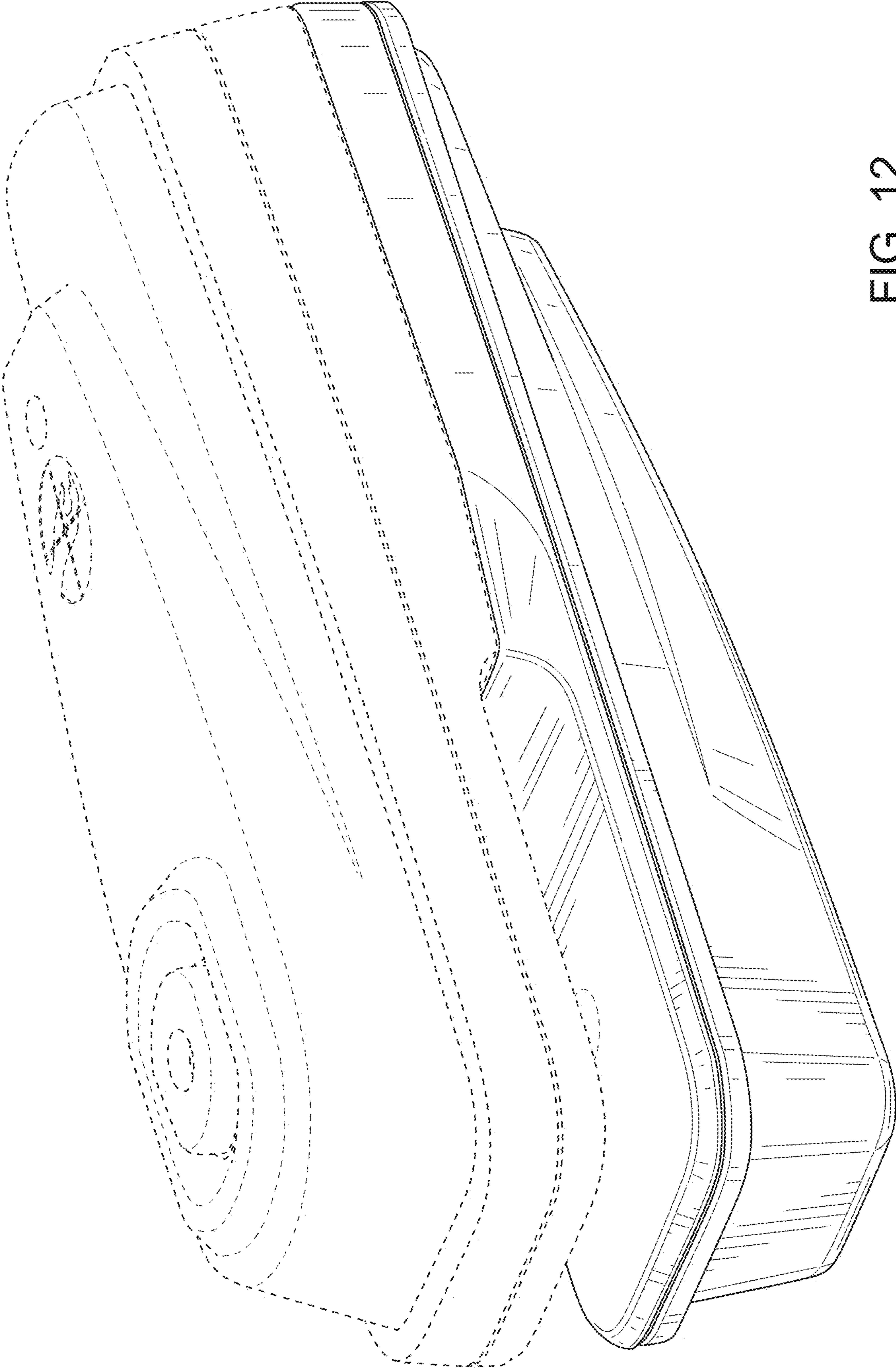


FIG. 12

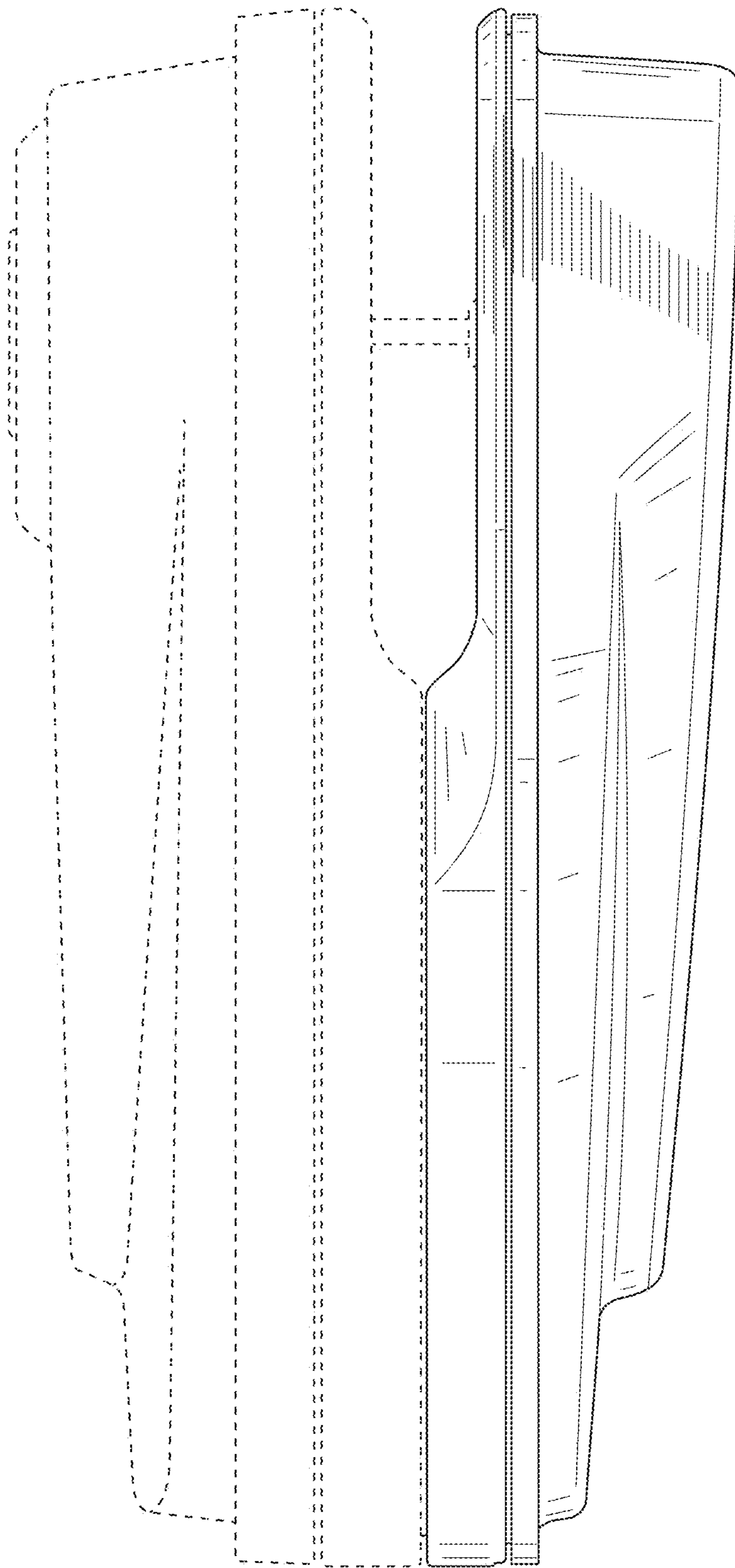


FIG. 13

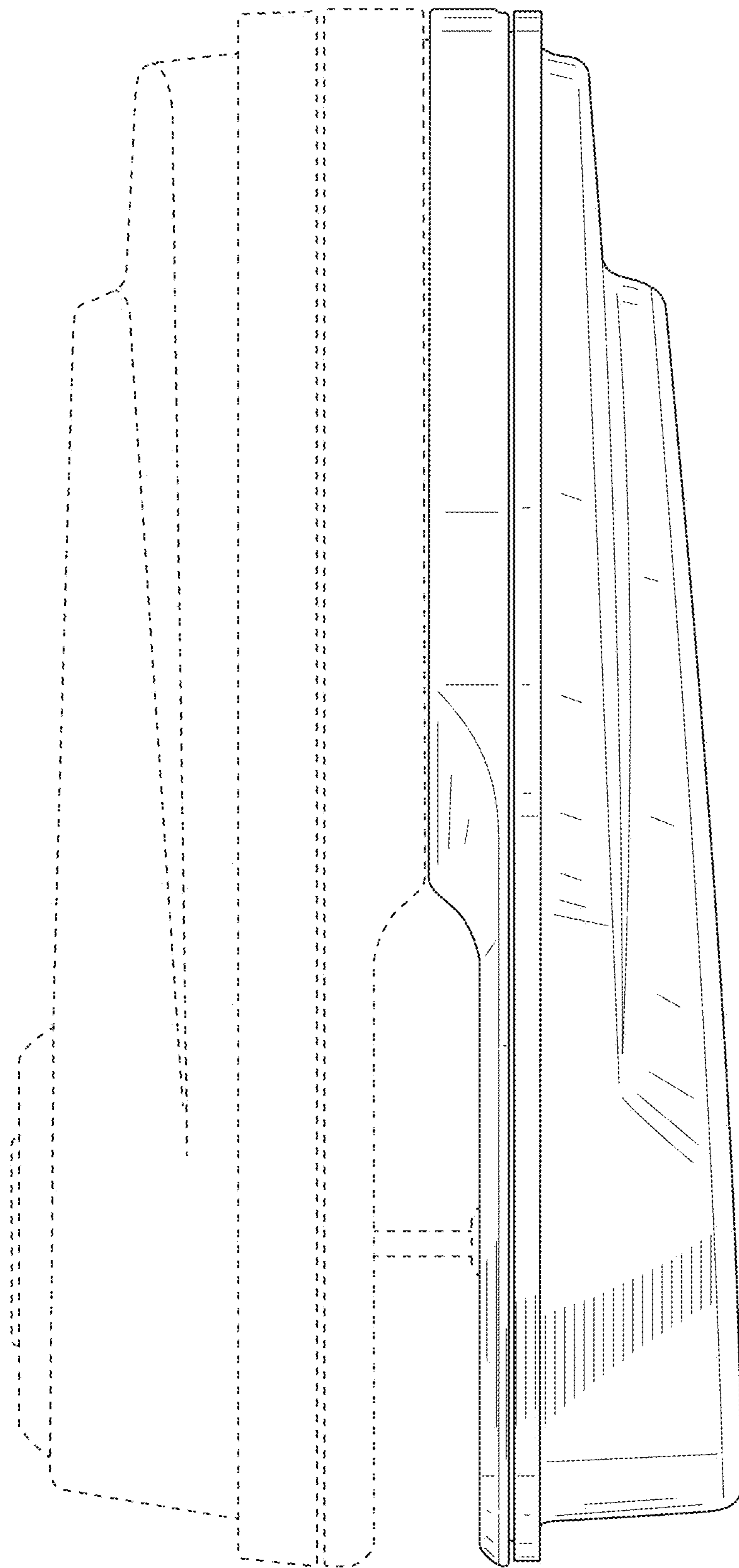


FIG. 14

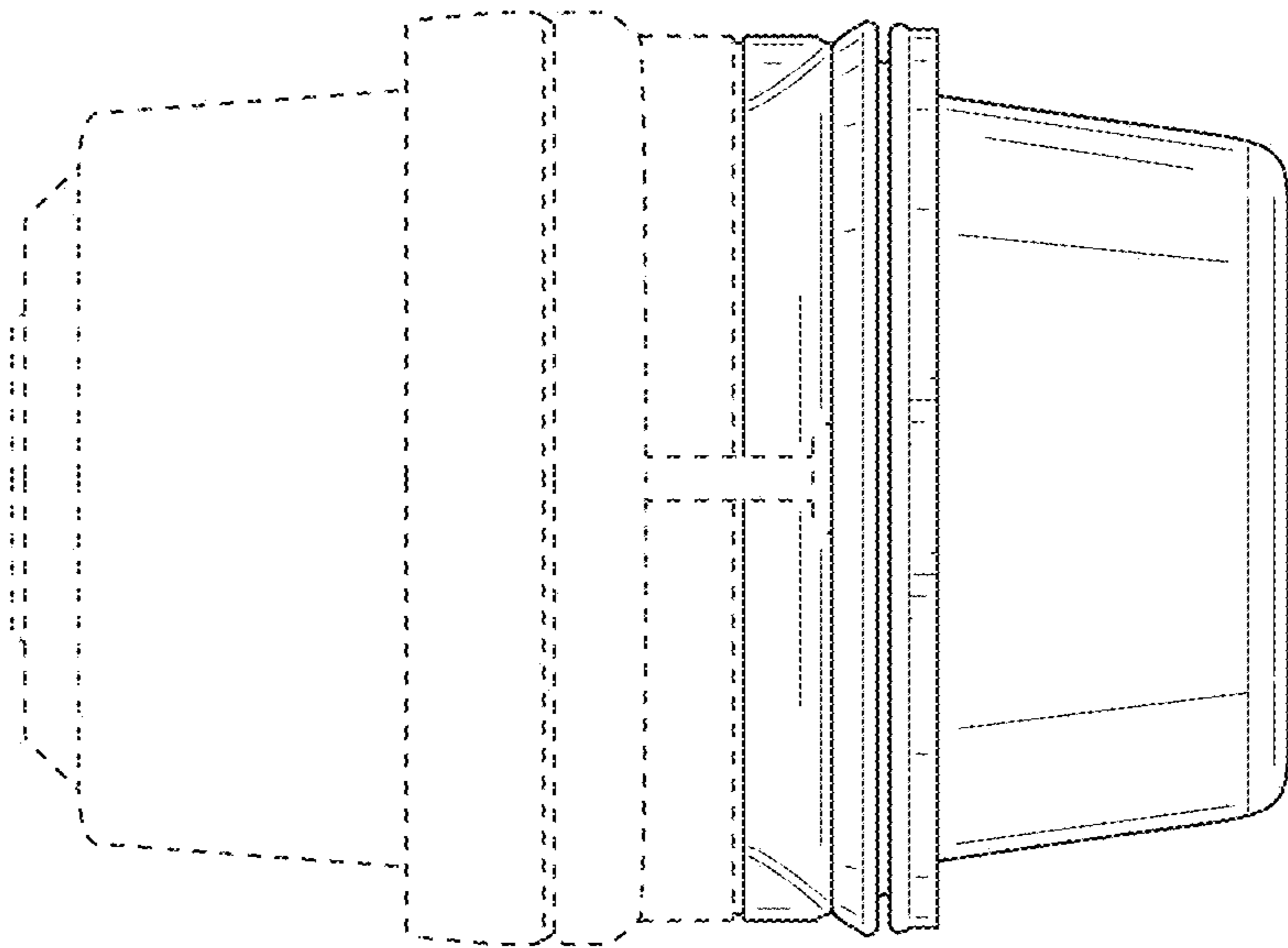


FIG. 15

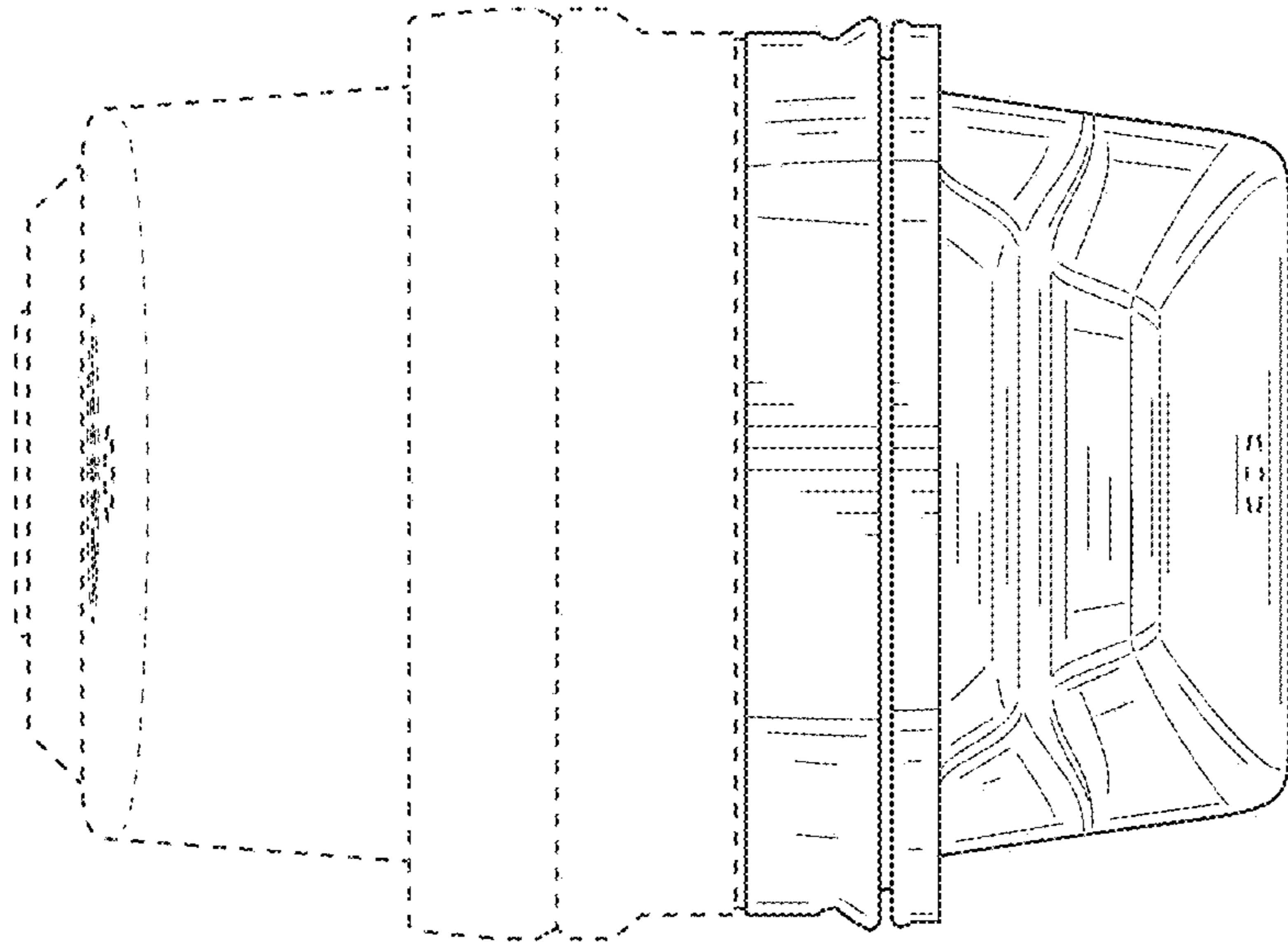


FIG. 16

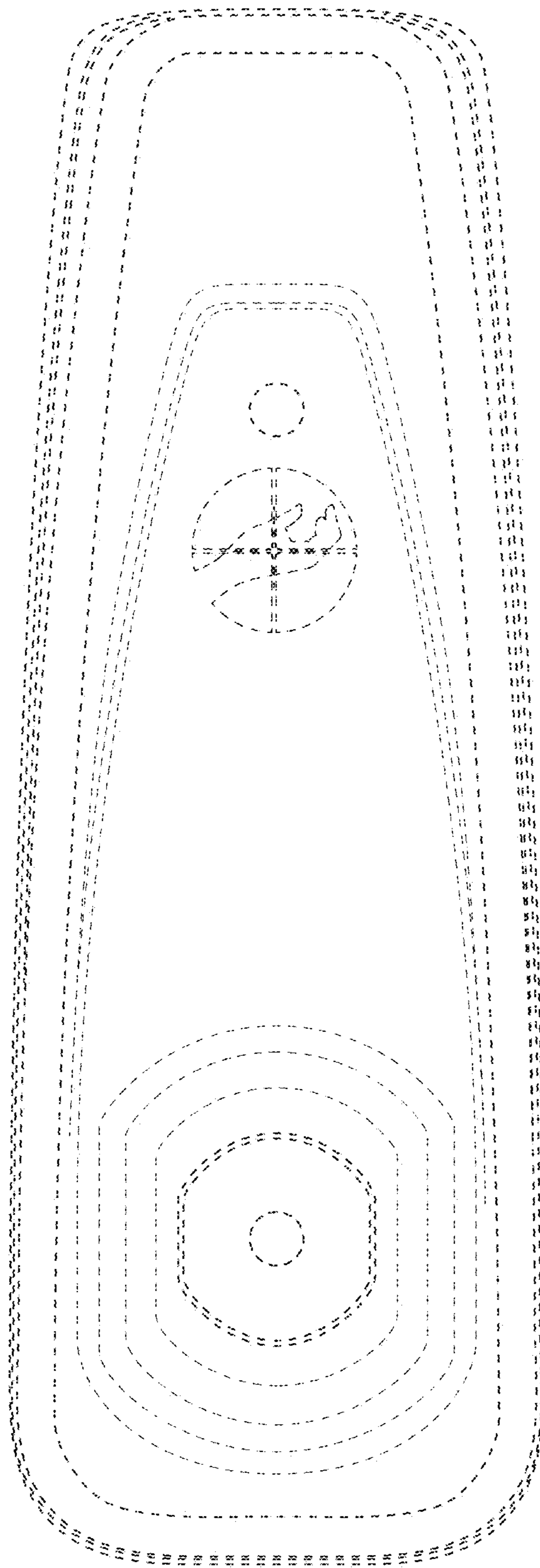


FIG. 17

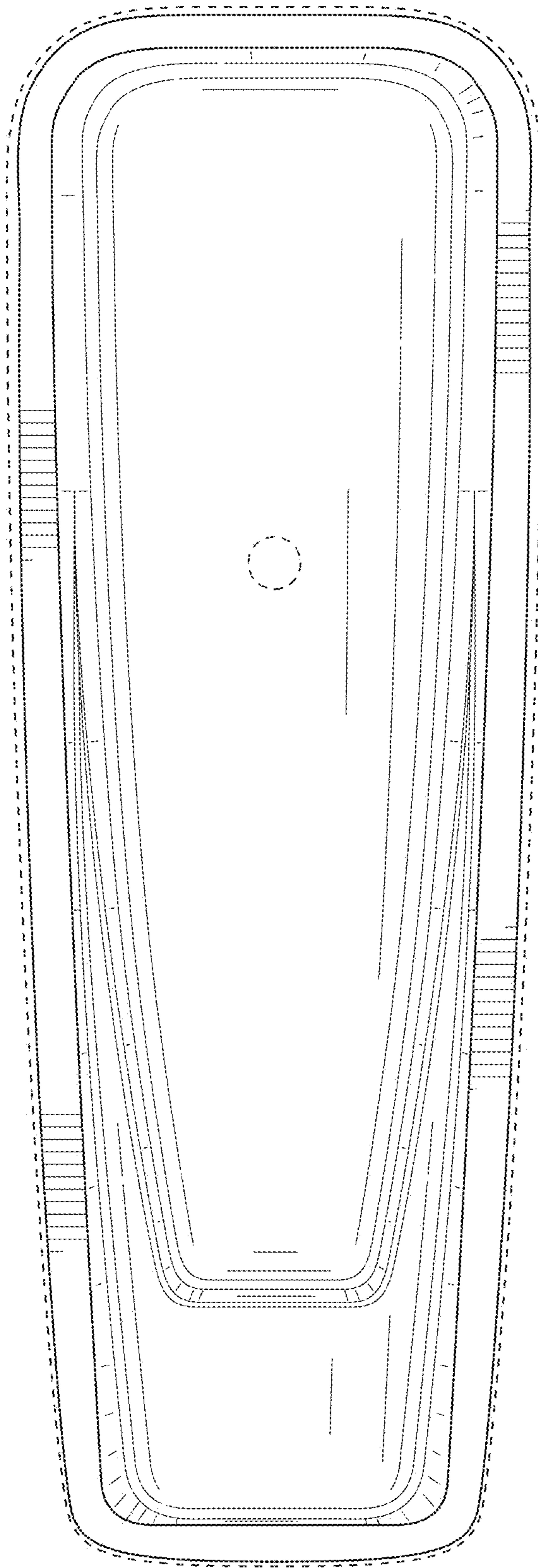


FIG. 18

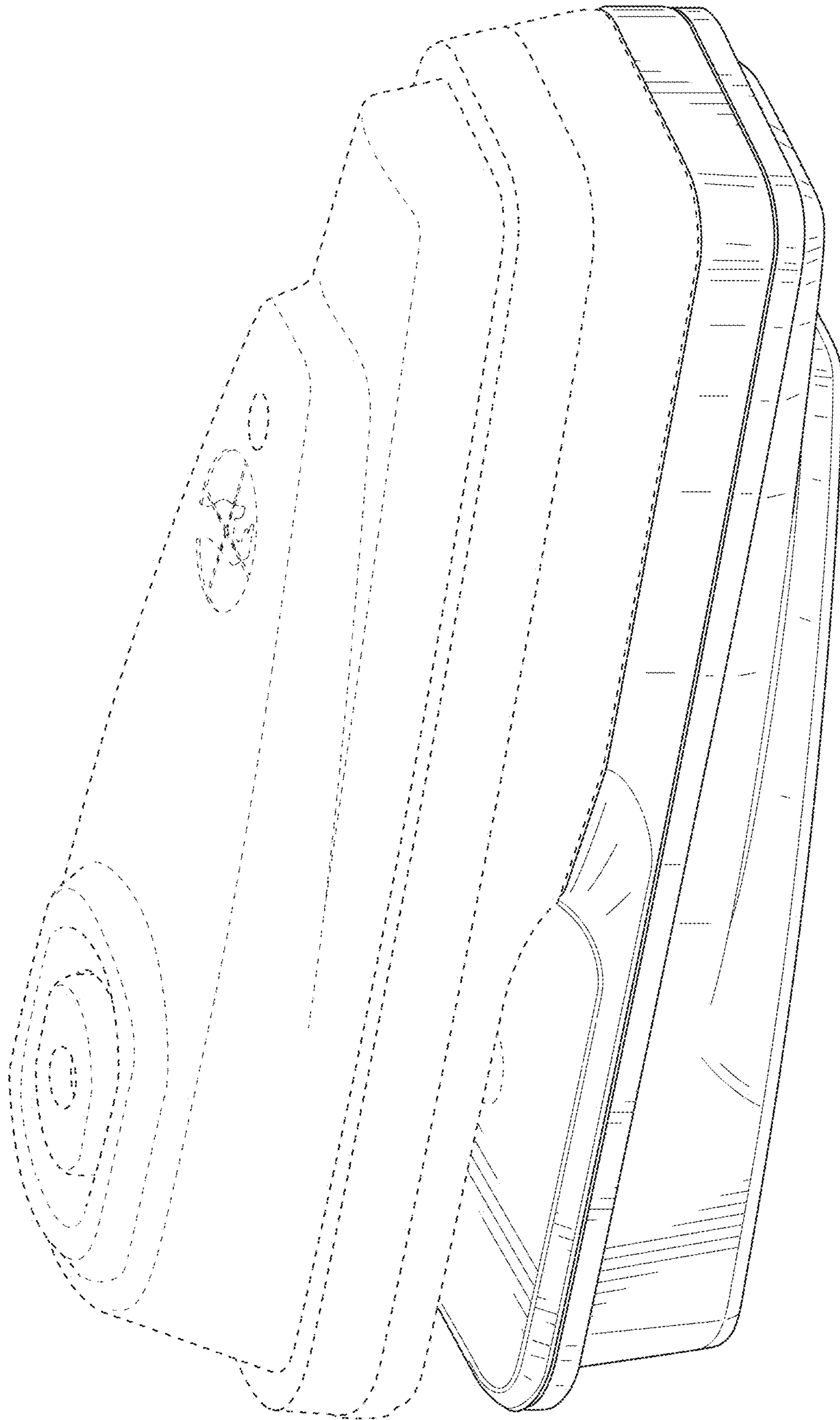


FIG. 19

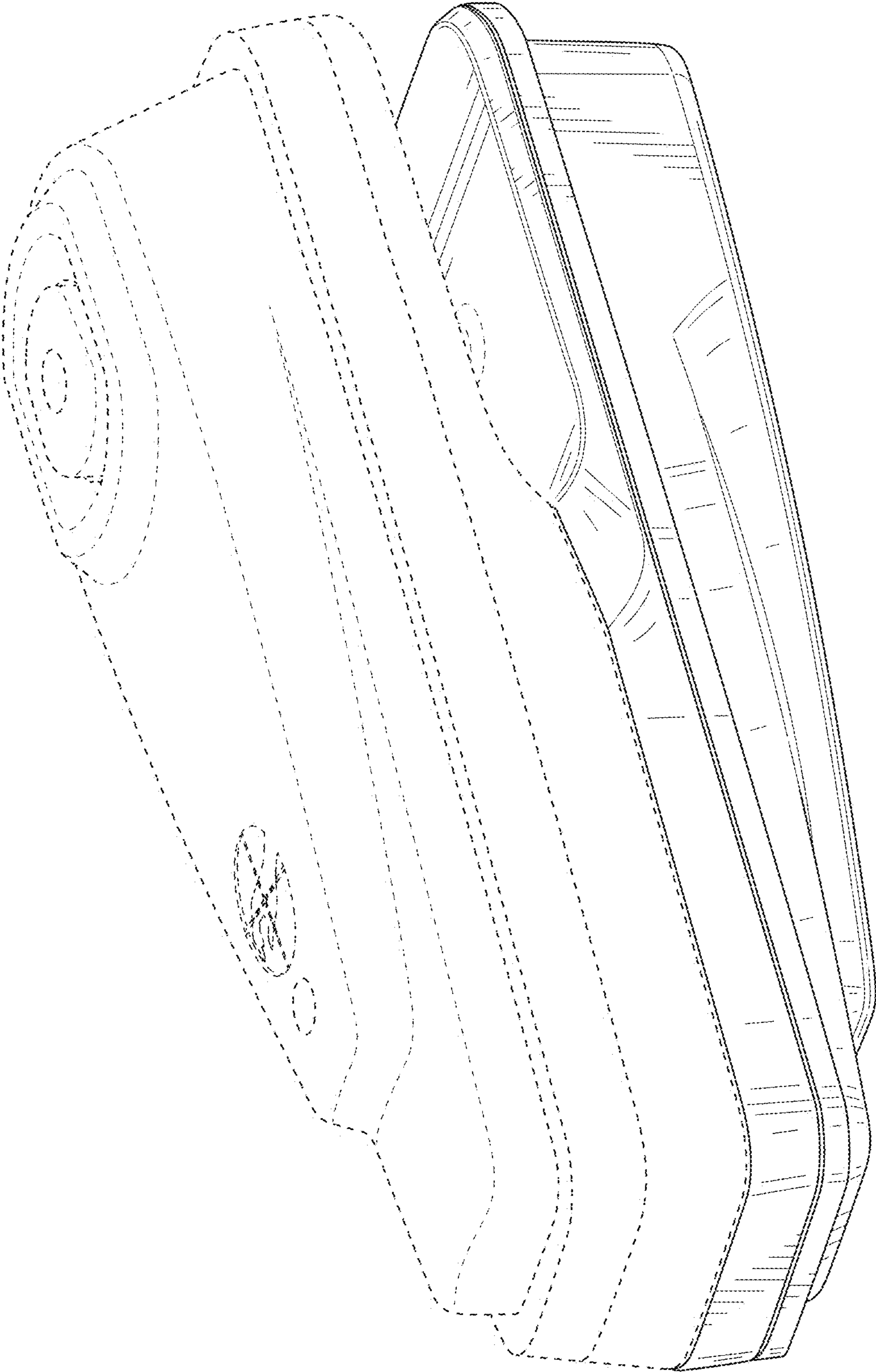


FIG. 20