



US00D988893S

(12) **United States Design Patent**
Laderer et al.

(10) **Patent No.: US D988,893 S**
(45) **Date of Patent: ** Jun. 13, 2023**

(54) **GAS COMPOSITION DETECTION DEVICE
AND PIPE ASSEMBLY**

- (71) Applicant: **Loci Controls, Inc.**, Wareham, MA (US)
- (72) Inventors: **Matthew Laderer**, Providence, RI (US); **Michael Gleick**, North Easton, MA (US); **Casey Campbell**, Acushnet, MA (US)
- (73) Assignee: **Loci Controls, Inc.**, Wareham, MA (US)

(**) Term: **15 Years**

(21) Appl. No.: **29/778,441**

(22) Filed: **Apr. 13, 2021**

(51) **LOC (14) Cl. 10-04**

(52) **U.S. Cl.**
USPC **D10/103**

(58) **Field of Classification Search**
USPC D10/81, 94, 103
CPC G01F 1/86; G01F 1/684; G01F 1/6842; G01F 1/6884; G01F 1/6965; G01F 1/7086; G01F 15/04; G01F 25/15; G01F 1/7084; G01F 7/00; E21B 47/06; E21B 47/103; G01N 21/3504; G01N 2201/0221; B09B 1/00; B09B 3/00
See application file for complete search history.

(56) **References Cited**

U.S. PATENT DOCUMENTS

D511,214 S *	11/2005	Sasano	D10/103
D750,990 S *	3/2016	Ettlin	D24/223
D795,723 S *	8/2017	Herbst	D24/216
D851,527 S *	6/2019	Kelley	D10/103
D943,440 S *	2/2022	Seimori	D10/81
D947,045 S *	3/2022	Baxter	E21B 47/06
				D10/103
2018/0164137 A1 *	6/2018	Layher	E21B 47/06

OTHER PUBLICATIONS

Laderer et al., Gas composition detection device. Co-pending U.S. Appl. No. 29/778,439, filed Apr. 13, 2021.
U.S. Appl. No. 29/778,439, filed Apr. 13, 2021, Laderer et al.

* cited by examiner

Primary Examiner — Antoine Duval Davis
(74) *Attorney, Agent, or Firm* — Wolf, Greenfield & Sacks, P.C.

(57) **CLAIM**

The ornamental design for a gas composition detection device and pipe assembly, as shown and described.

DESCRIPTION

This invention was made with government support under SBIR Phase II Award No. 1632439 awarded by the National Science Foundation. The government has certain rights in the invention.

FIG. 1 is a bottom, rear, right side perspective view of a gas composition detection device and pipe assembly showing the claimed design;

FIG. 2 is a top, rear, left side perspective view thereof;

FIG. 3 is a front view thereof;

FIG. 4 is a rear view thereof;

FIG. 5 is a left side view thereof;

FIG. 6 is a right side view thereof;

FIG. 7 is a top view thereof;

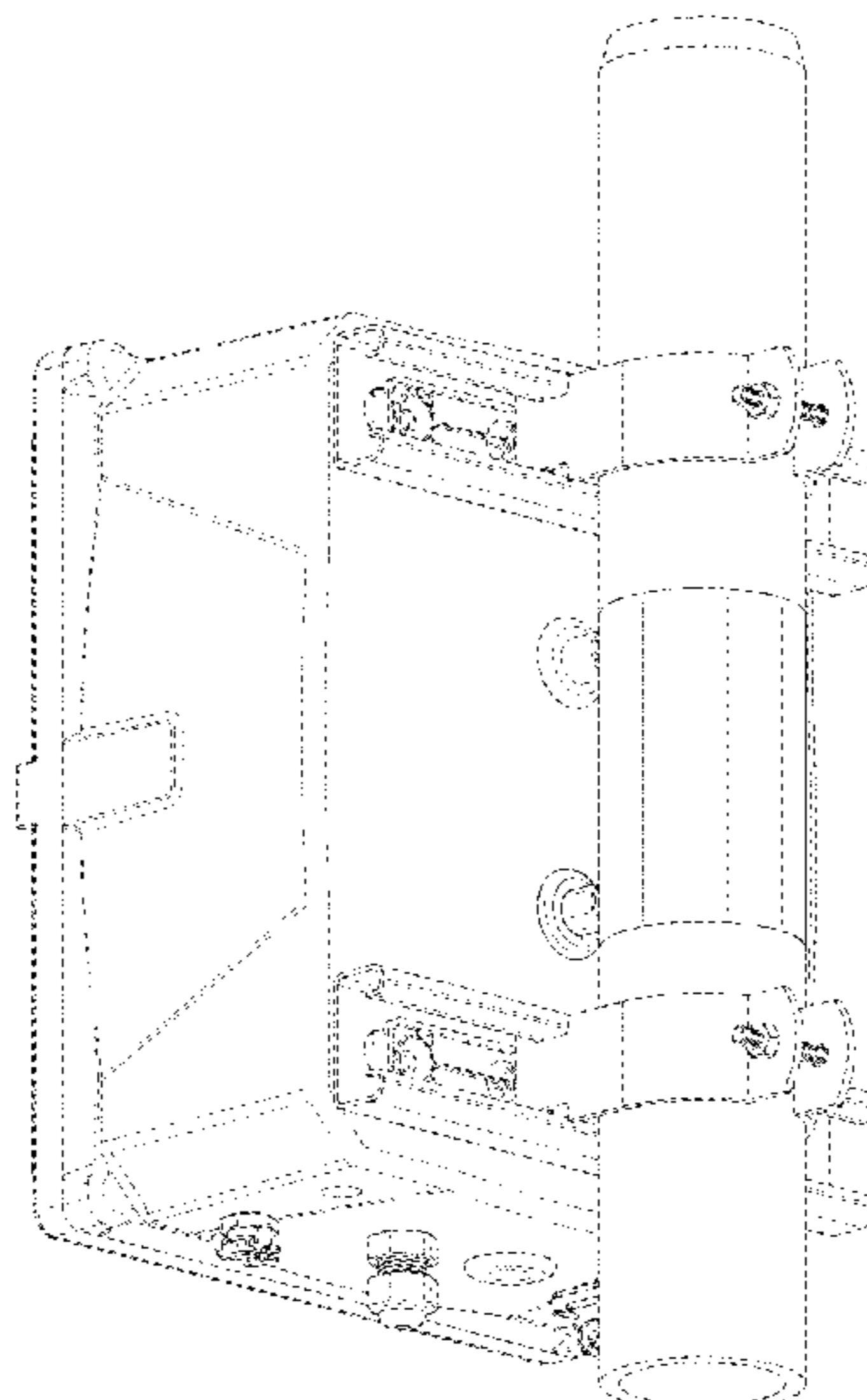
FIG. 8 is a bottom view thereof;

FIG. 9 is a top, front, left side perspective view thereof, with the housing of the gas composition detection device removed; and,

FIG. 10 is a bottom, front, right side perspective view thereof, with the housing of the gas composition detection device removed.

The broken lines in the figures show portions of the gas composition detection device and pipe assembly that form no part of the claimed design.

1 Claim, 10 Drawing Sheets



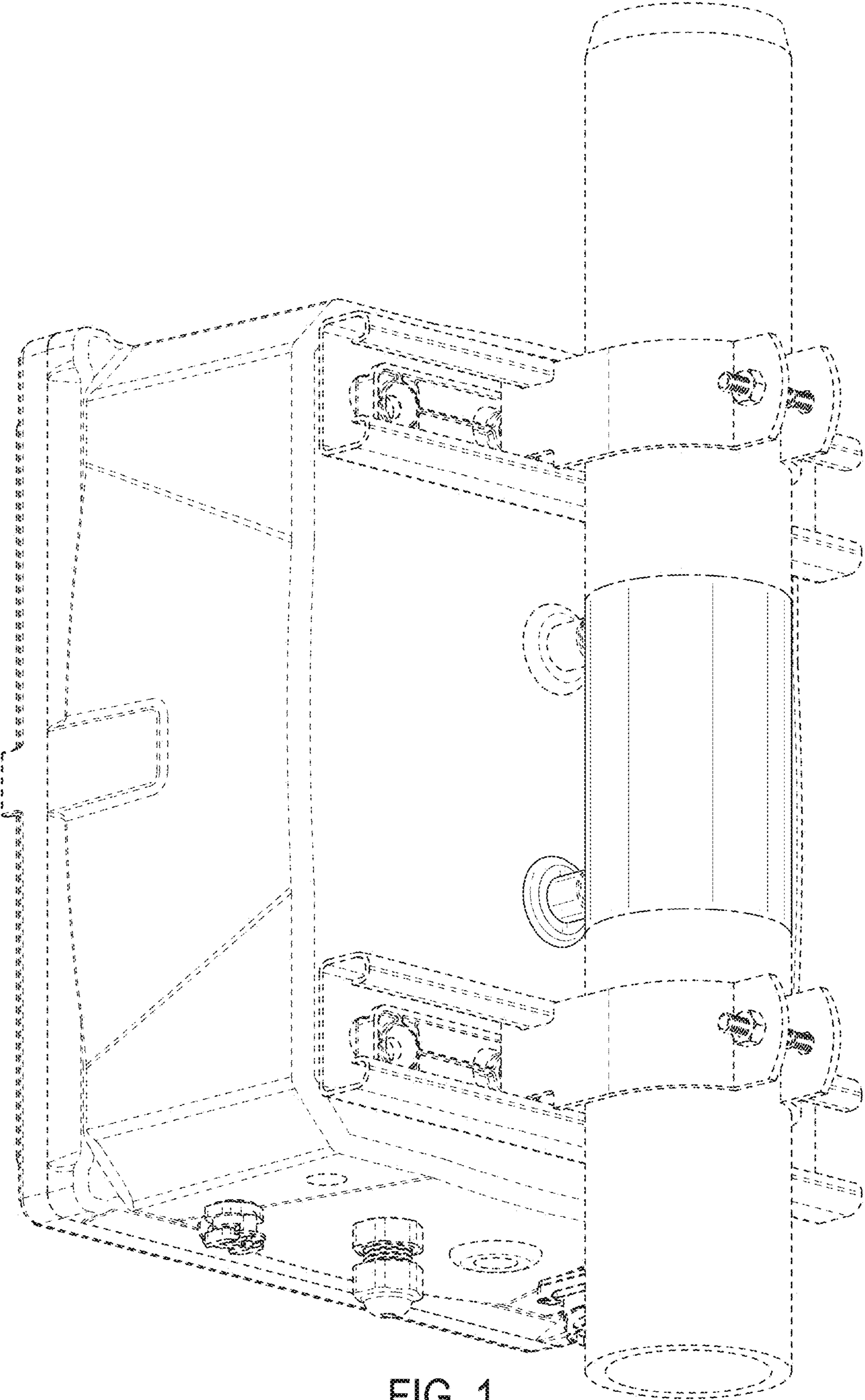


FIG. 1

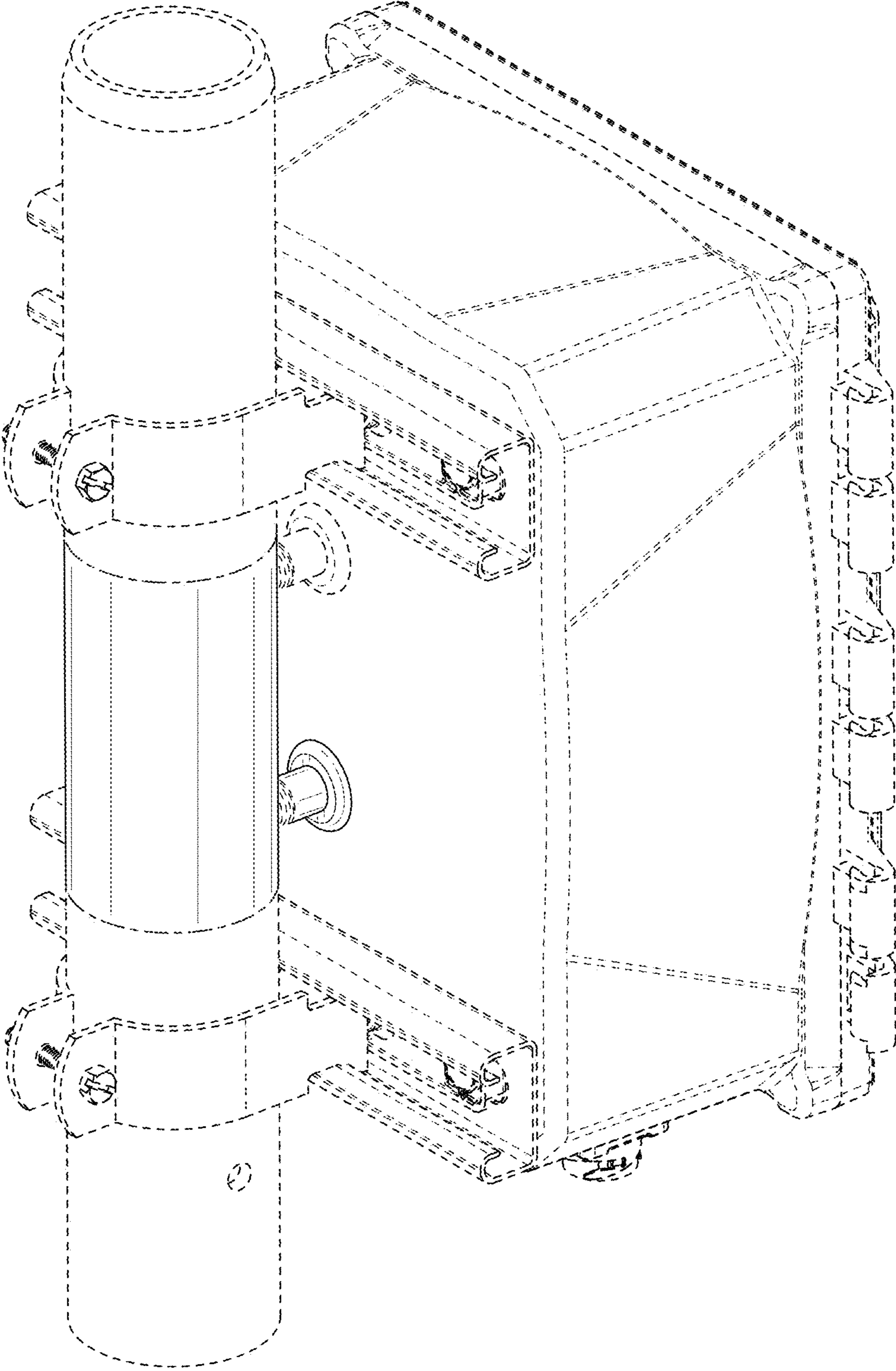


FIG. 2

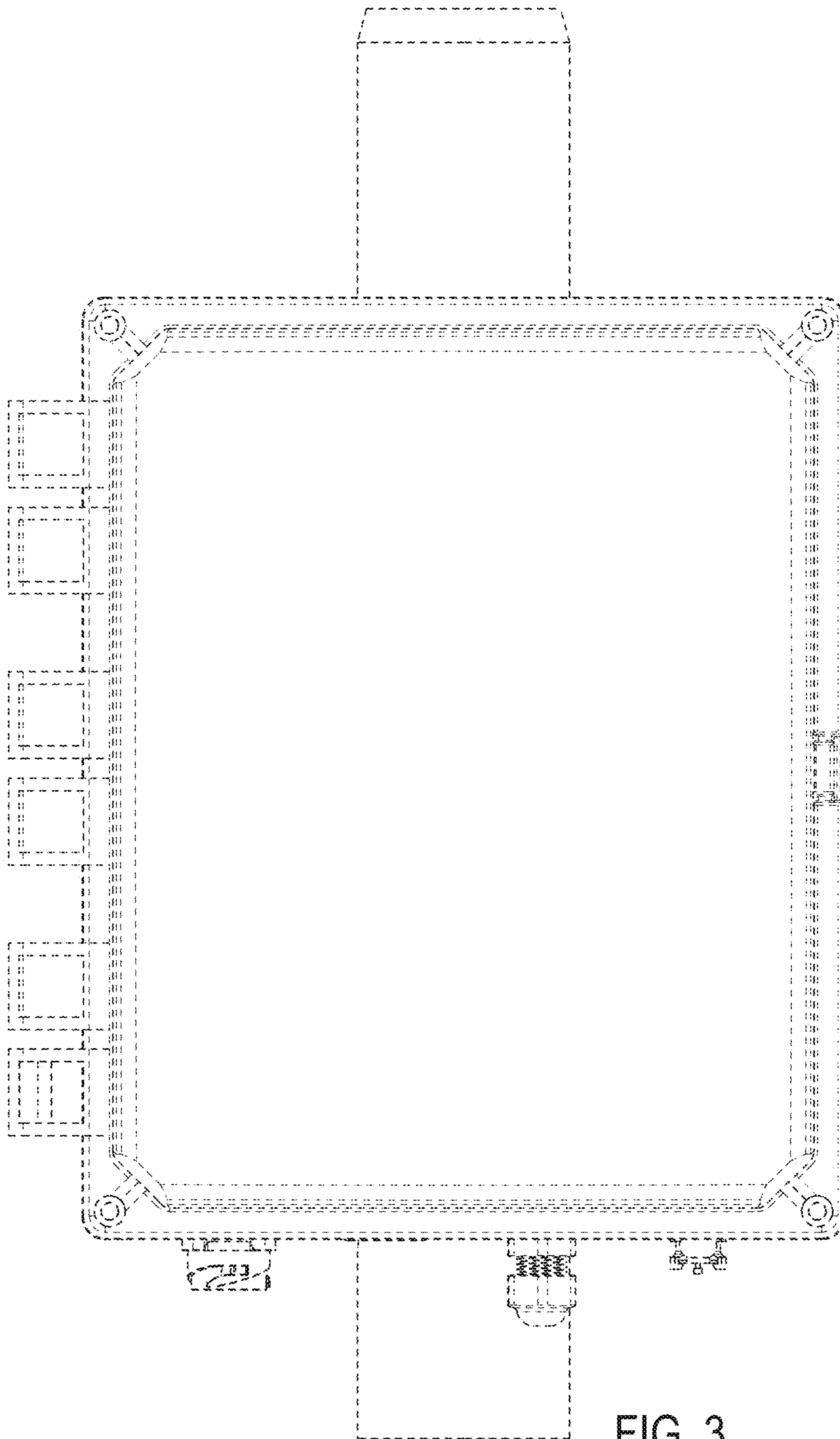


FIG. 3

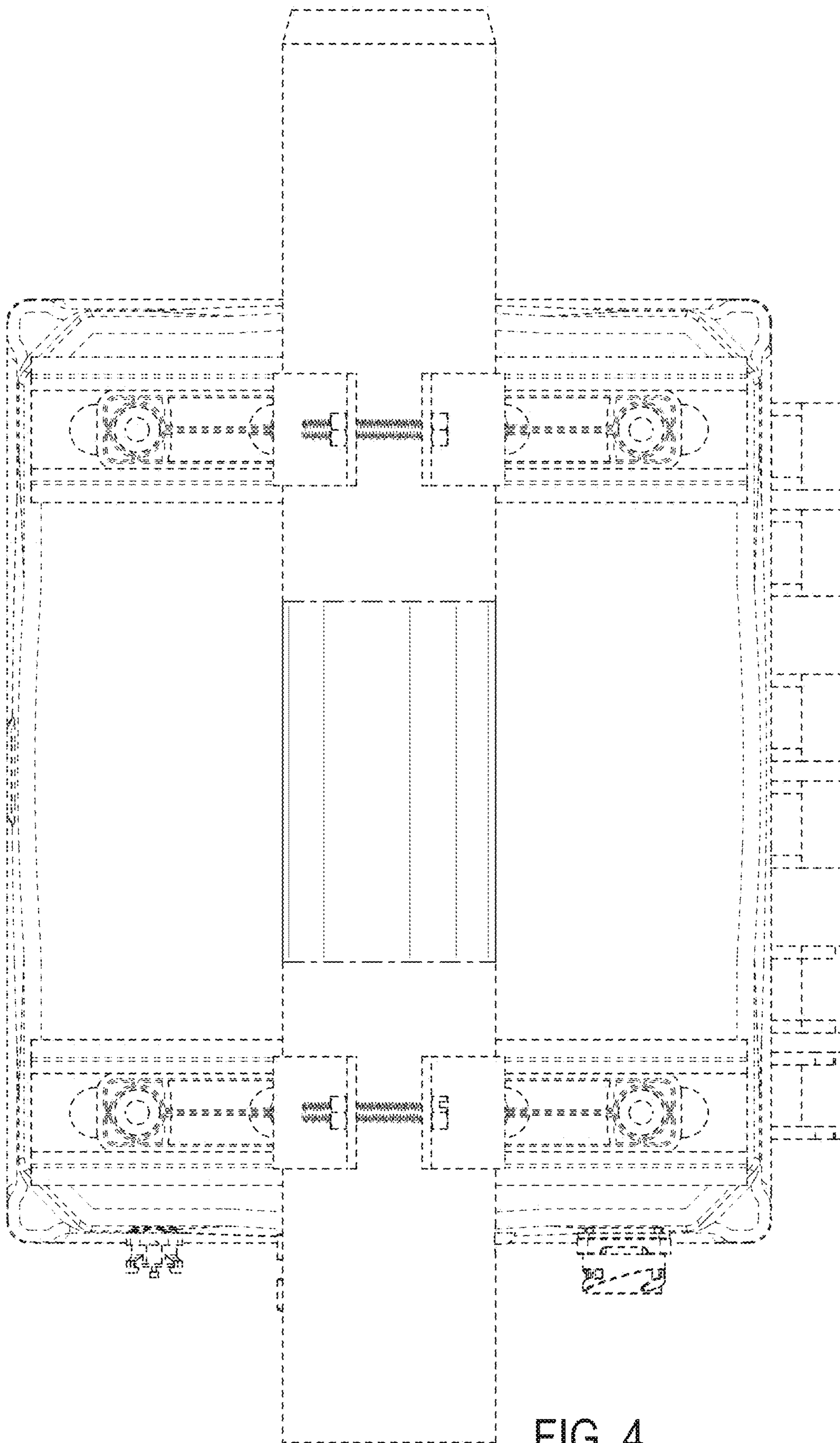


FIG. 4

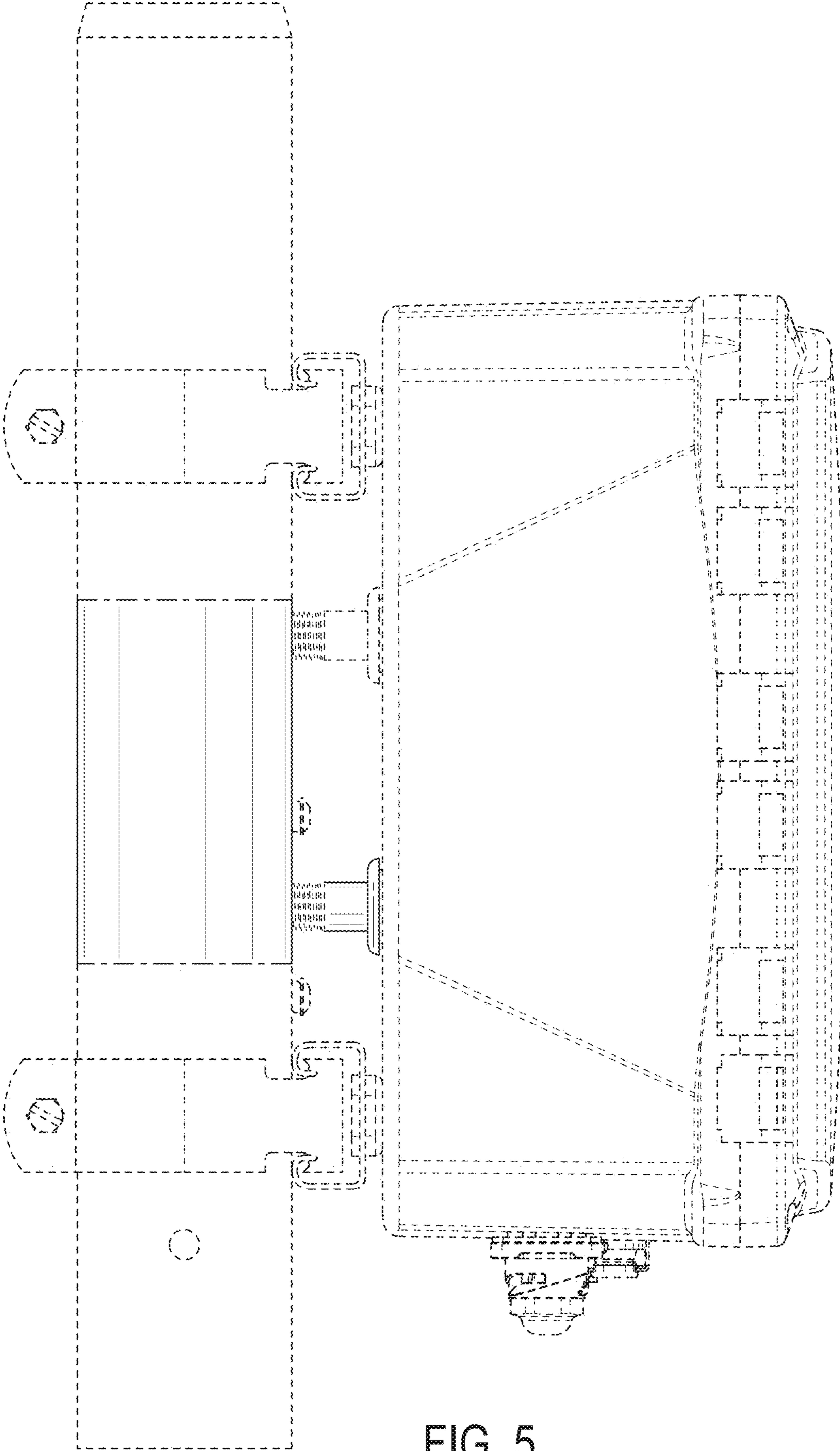


FIG. 5

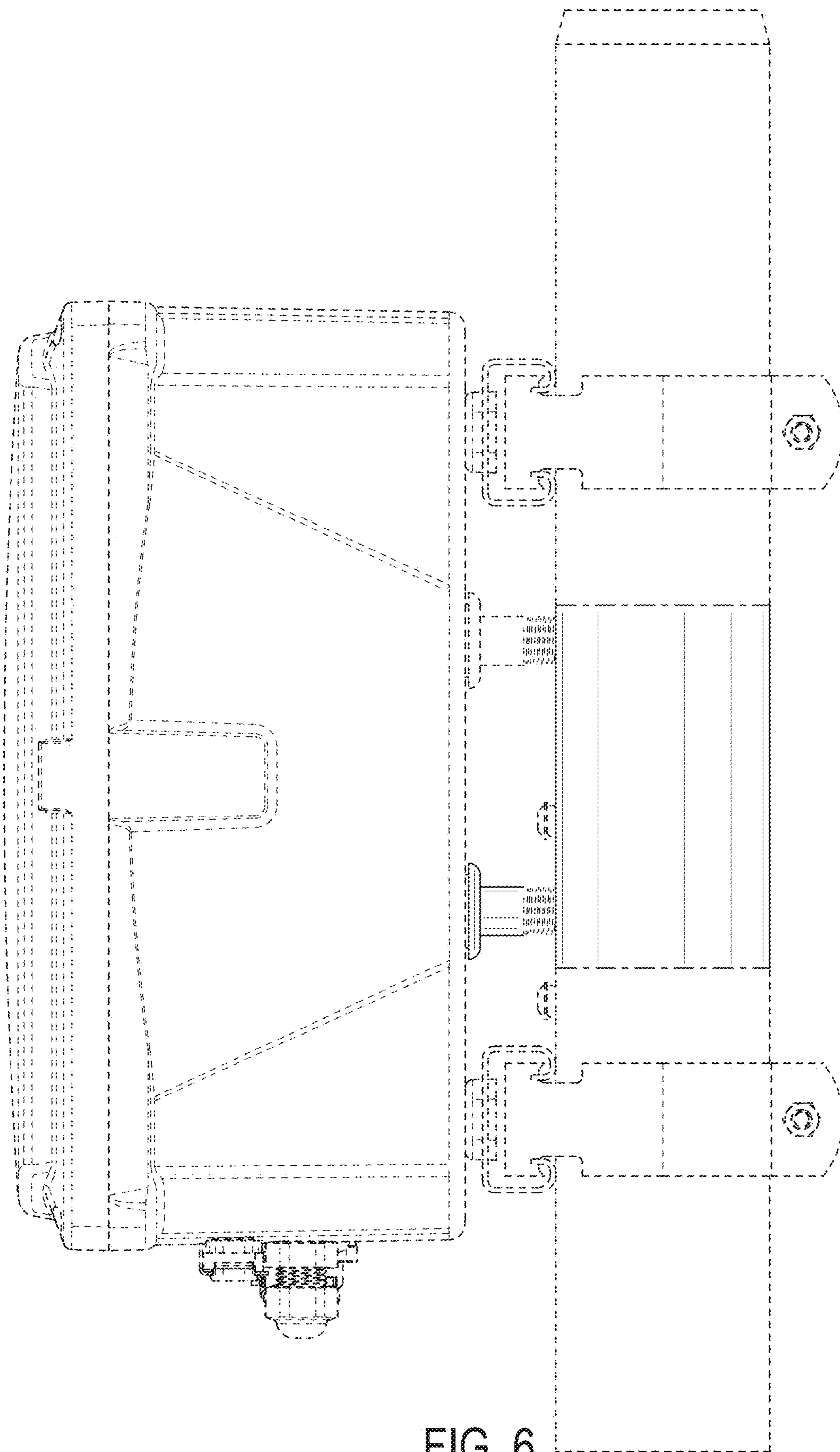


FIG. 6

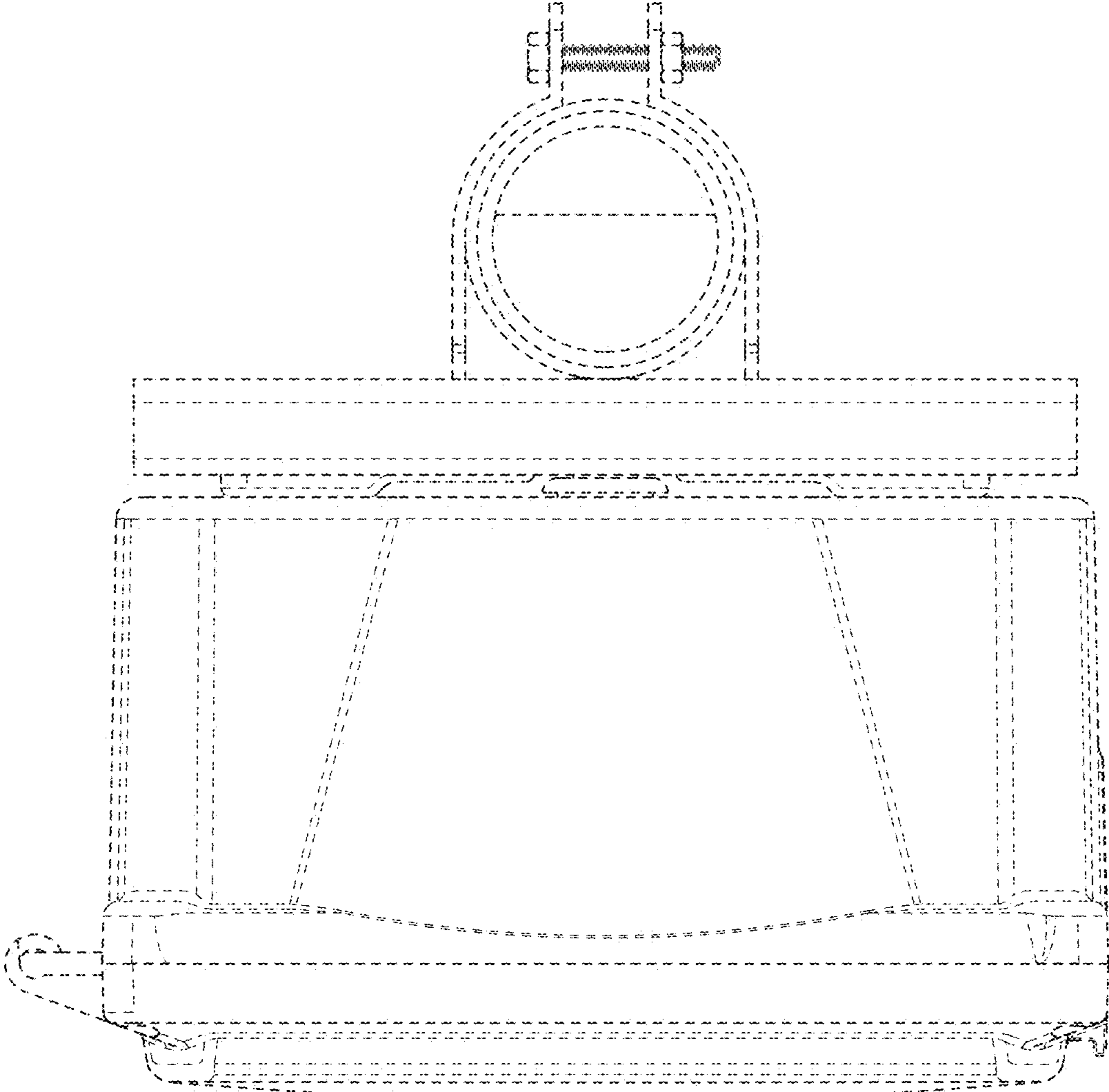


FIG. 7

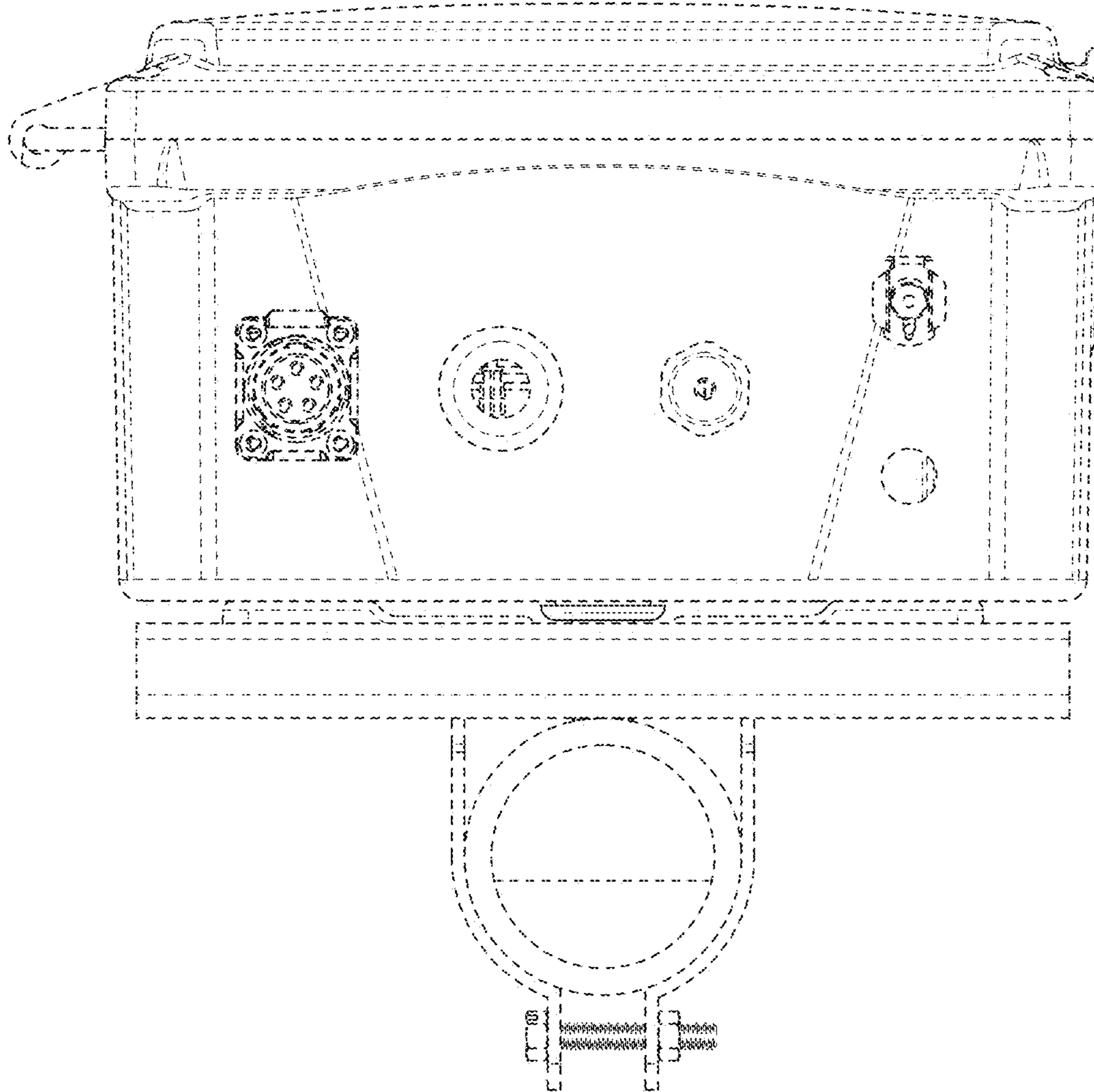


FIG. 8

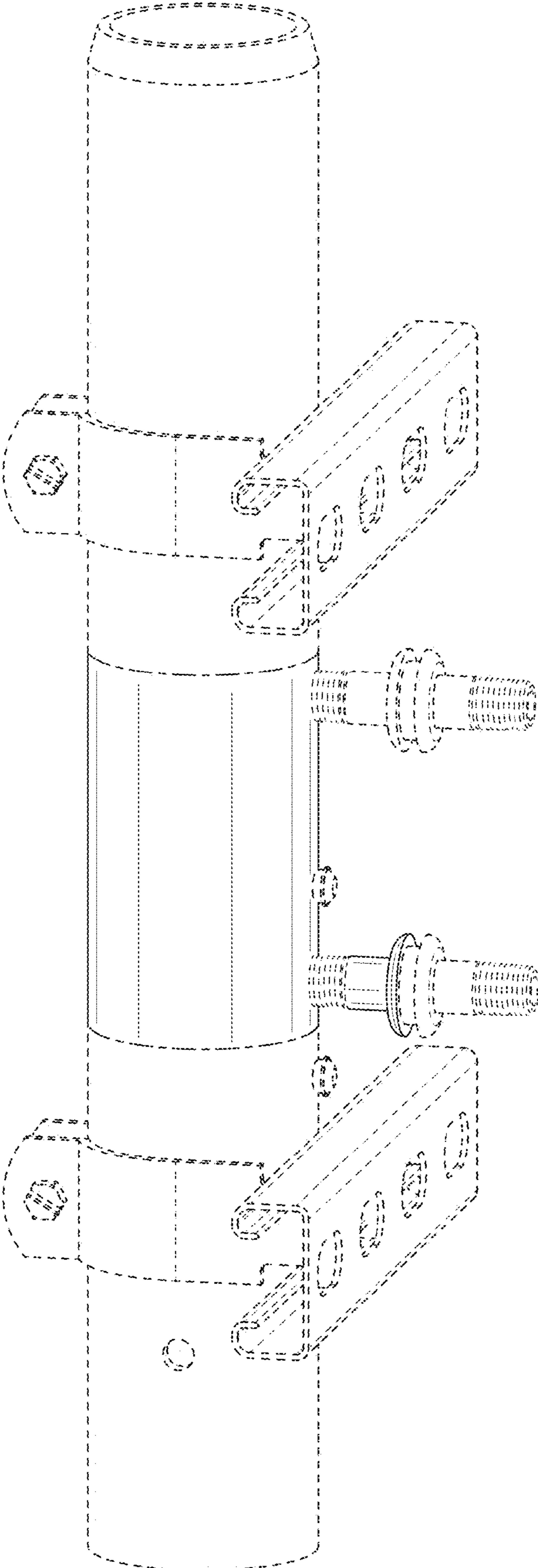


FIG. 9

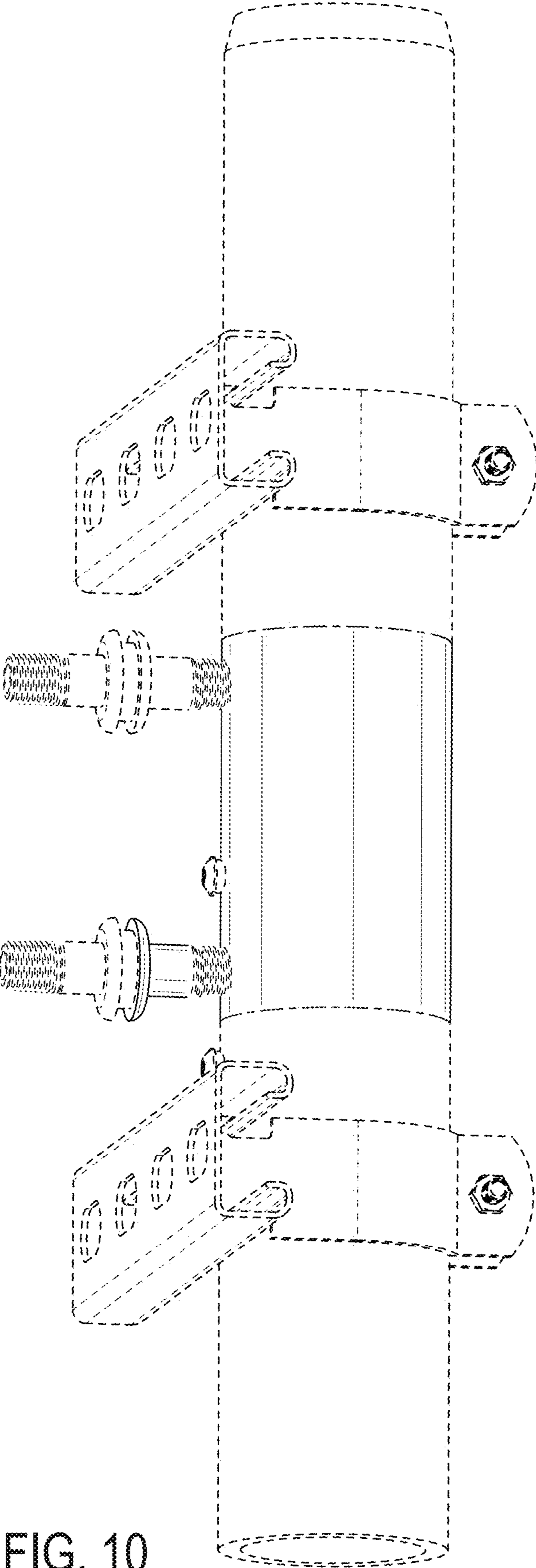


FIG. 10