



US00D988890S

(12) **United States Design Patent** (10) **Patent No.:** **US D988,890 S**  
**Taguchi et al.** (45) **Date of Patent:** **\*\* Jun. 13, 2023**

(54) **FLOWMETER**  
(71) Applicant: **YOKOGAWA ELECTRIC CORPORATION**, Musashino (JP)  
(72) Inventors: **Masaya Taguchi**, Tokyo (JP); **Ryousuke Nomura**, Tokyo (JP)  
(73) Assignee: **YOKOGAWA ELECTRIC CORPORATION**, Tokyo (JP)  
(\*\*) Term: **15 Years**  
(21) Appl. No.: **29/841,004**  
(22) Filed: **Jun. 2, 2022**

D675,121 S † 1/2013 Azuma ..... D10/96  
D685,661 S † 7/2013 Fukano ..... D10/96  
D687,730 S † 8/2013 Fukano ..... D10/96  
D689,784 S \* 9/2013 McDonald ..... D10/96  
10,060,774 B1 \* 8/2018 Bartlett ..... G01F 15/00  
D832,123 S \* 10/2018 Nakai ..... D10/96  
D878,943 S \* 3/2020 Mess ..... D10/96  
D883,826 S \* 5/2020 Hendey, Sr. .... D10/96  
D937,696 S \* 12/2021 Nakai ..... D10/96  
D940,578 S † 1/2022 Jungen ..... D10/96  
2015/0082880 A1 † 3/2015 Allen ..... G01F 15/00  
73/273  
2016/0116316 A1 † 4/2016 Kissling ..... G01F 1/66  
73/861.25  
2020/0173829 A1 † 6/2020 Bell ..... G01F 1/8468  
2021/0223077 A1 † 7/2021 Liu ..... H05K 1/181  
2022/0065674 A1 † 3/2022 Lalla ..... G01F 1/8459

\* cited by examiner  
† imported from a related application

**Related U.S. Application Data**

(62) Division of application No. 35/511,734, filed on Oct. 23, 2020 (U.S. filing date under 35 U.S.C. 384), and having an international filing date of Oct. 23, 2020, now Pat. No. Des. 964,872.  
(51) **LOC (14) Cl.** ..... **10-04**  
(52) **U.S. Cl.**  
USPC ..... **D10/96**  
(58) **Field of Classification Search**  
USPC ..... D10/96  
CPC ..... G01F 15/00; G01F 1/06  
See application file for complete search history.

*Primary Examiner* — George D. Kirschbaum  
(74) *Attorney, Agent, or Firm* — Saidman DesignLaw Group, LLC

(57) **CLAIM**

The ornamental design for a flowmeter, as shown and described.

**DESCRIPTION**

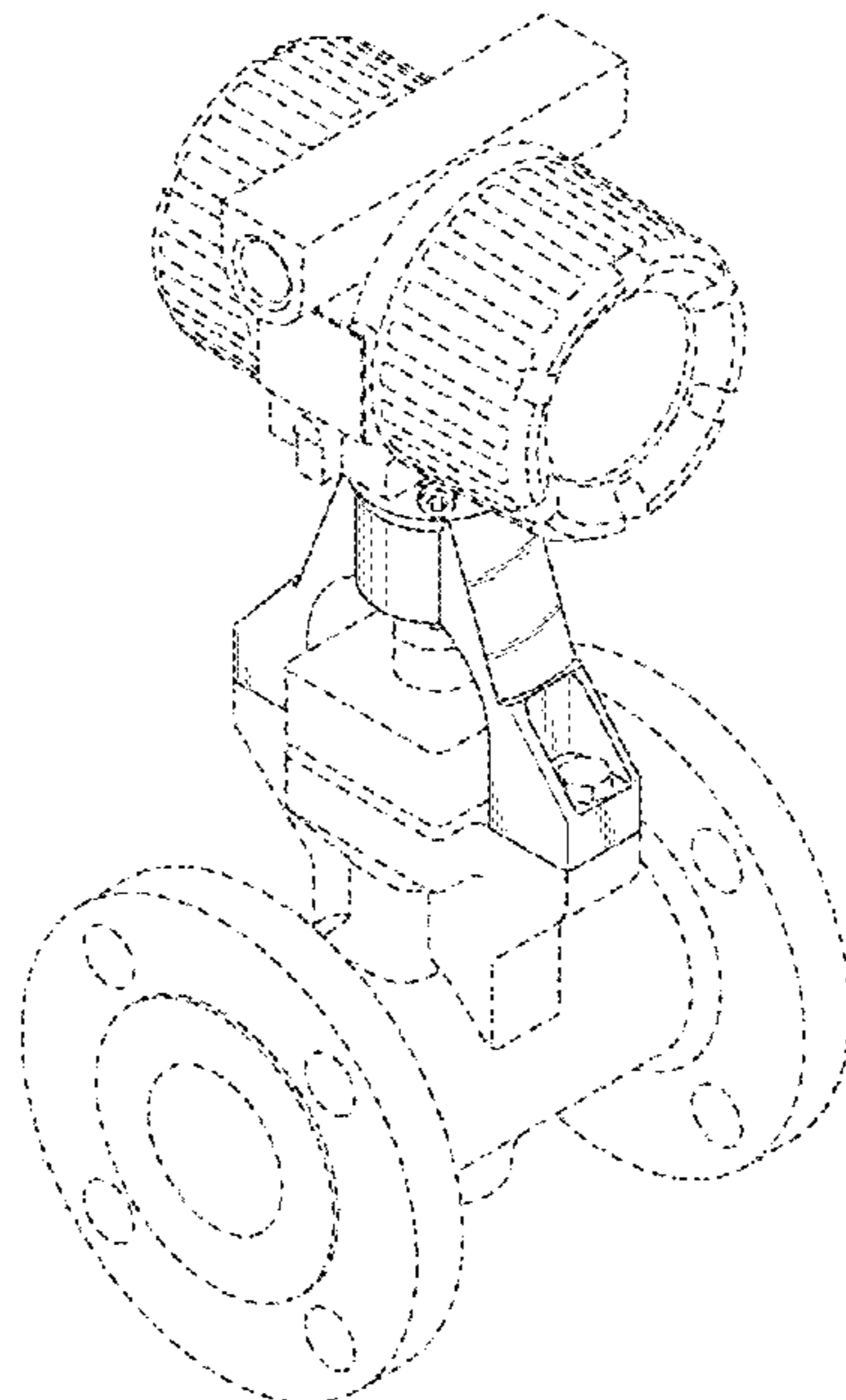
FIG. 1 is a perspective view of a flowmeter showing our new design;  
FIG. 2 is a front view thereof;  
FIG. 3 is a rear view thereof;  
FIG. 4 is a top view thereof;  
FIG. 5 is a bottom view thereof;  
FIG. 6 is a right side view thereof; and,  
FIG. 7 is a left side view thereof.  
The broken lines depict portions of the flowmeter which form no part of the claimed design.

**1 Claim, 7 Drawing Sheets**

(56) **References Cited**

**U.S. PATENT DOCUMENTS**

D302,397 S † 7/1989 Mesnard ..... D10/96  
D340,876 S † 11/1993 Shipman ..... D10/99  
D343,364 S † 1/1994 Beulke ..... D10/103  
D343,365 S † 1/1994 Beulke ..... D10/103  
D349,862 S † 8/1994 Hausler ..... D10/96  
D350,491 S † 9/1994 Hausler ..... D10/96  
D358,783 S † 5/1995 Nemoto ..... D10/96



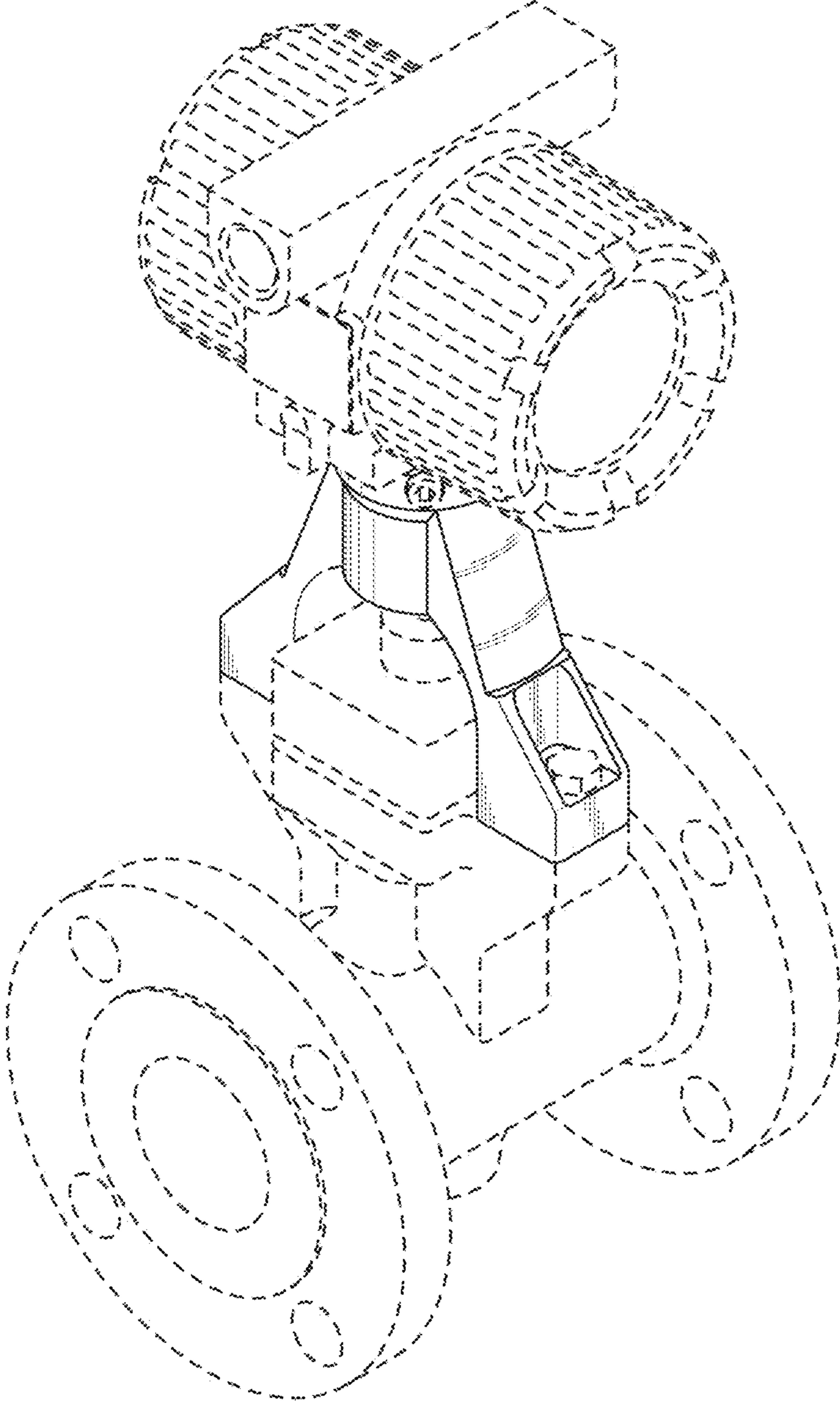


FIG. 1

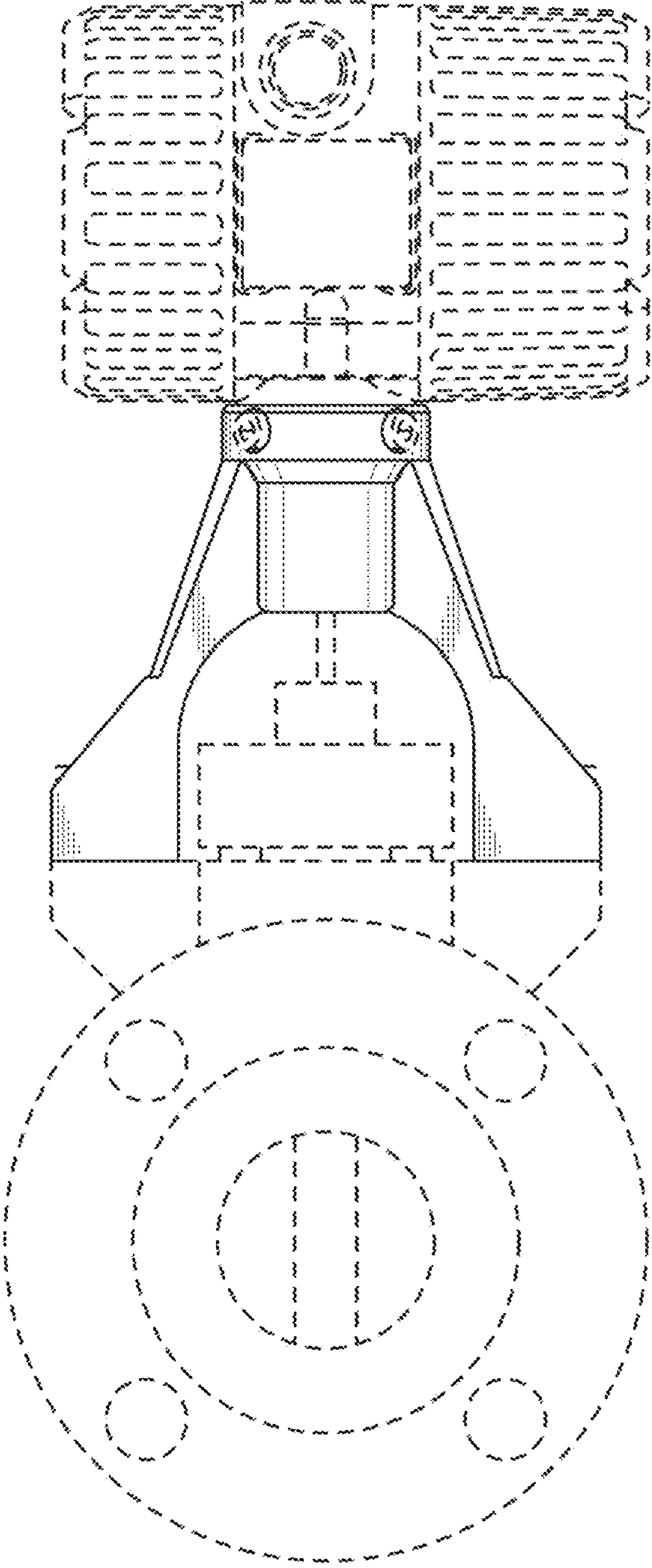


FIG. 2

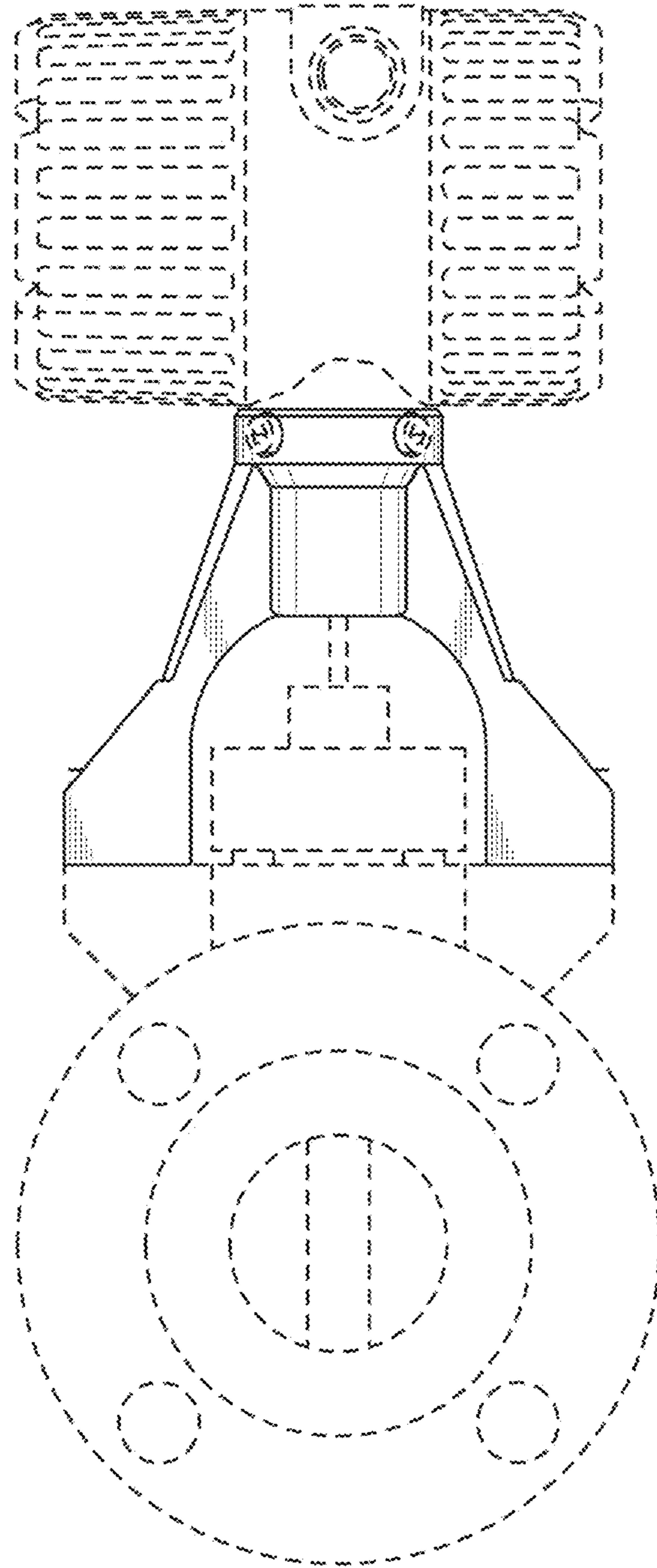


FIG. 3

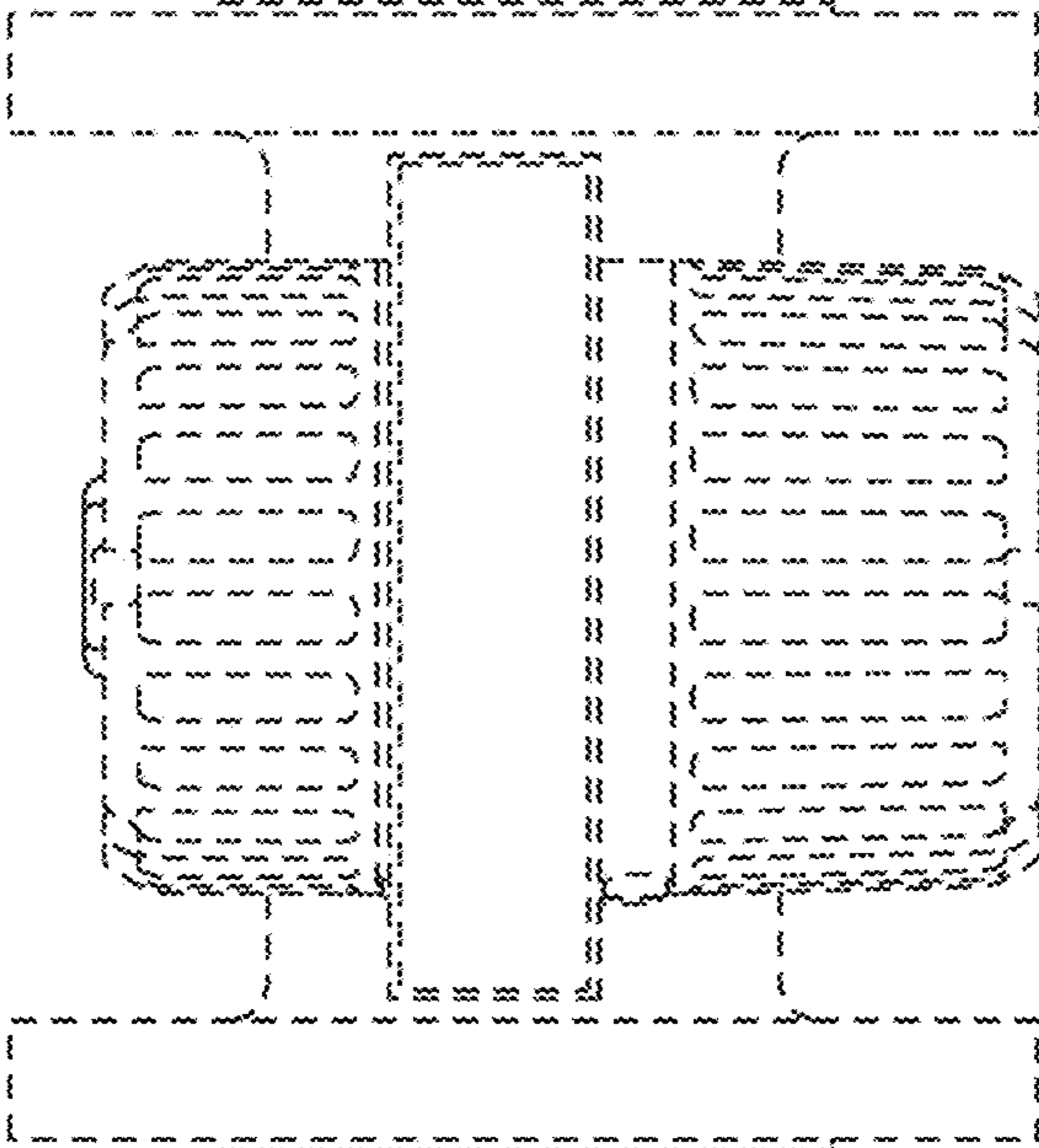


FIG. 4

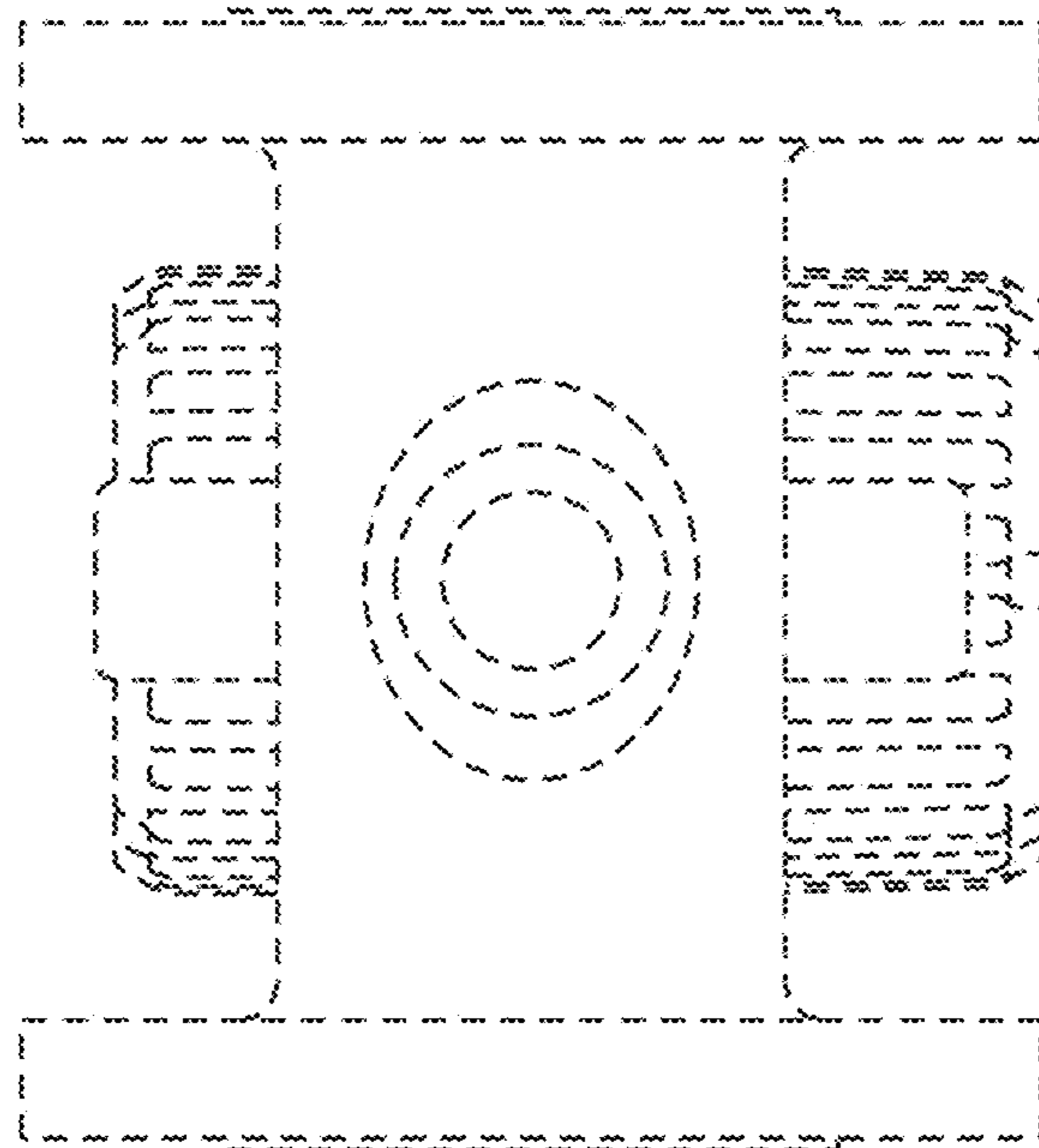


FIG. 5

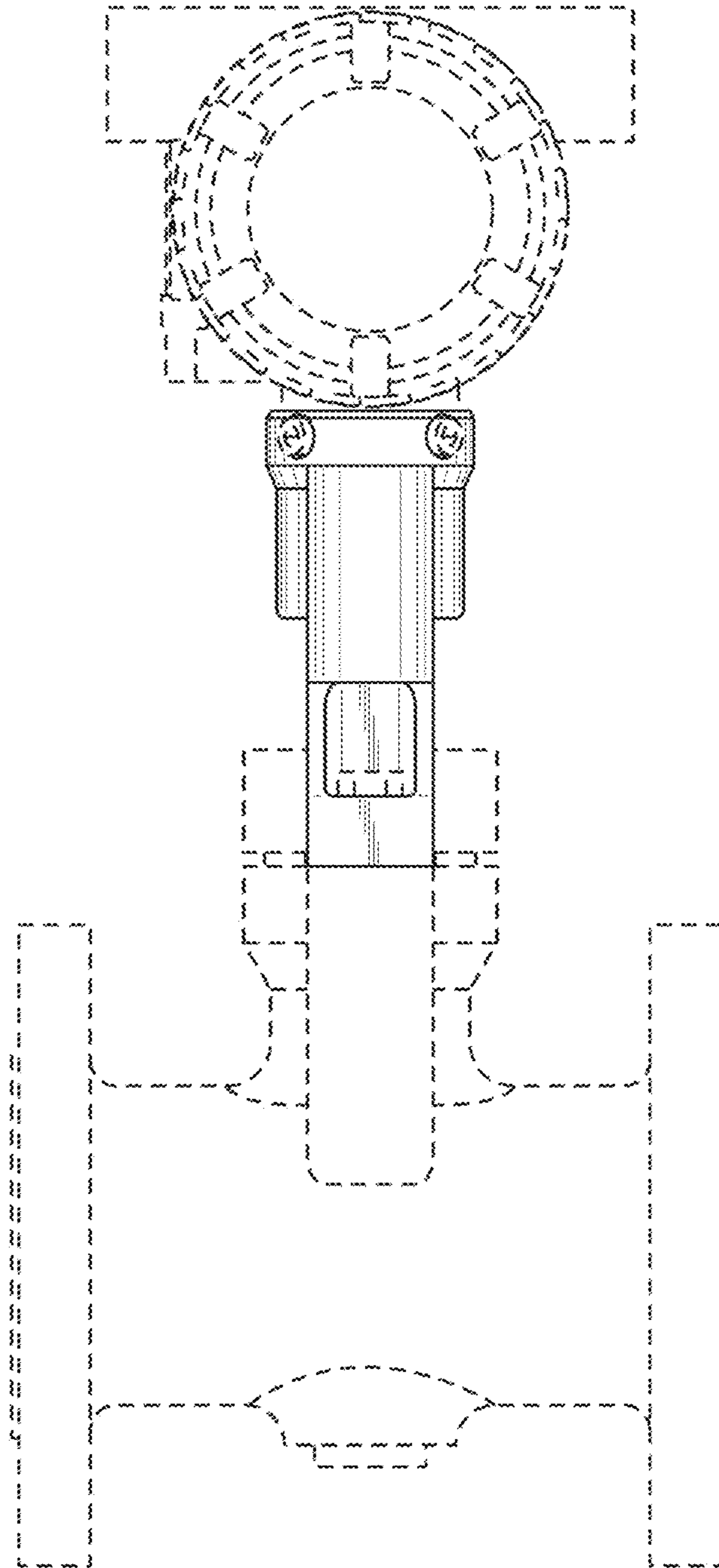


FIG. 6

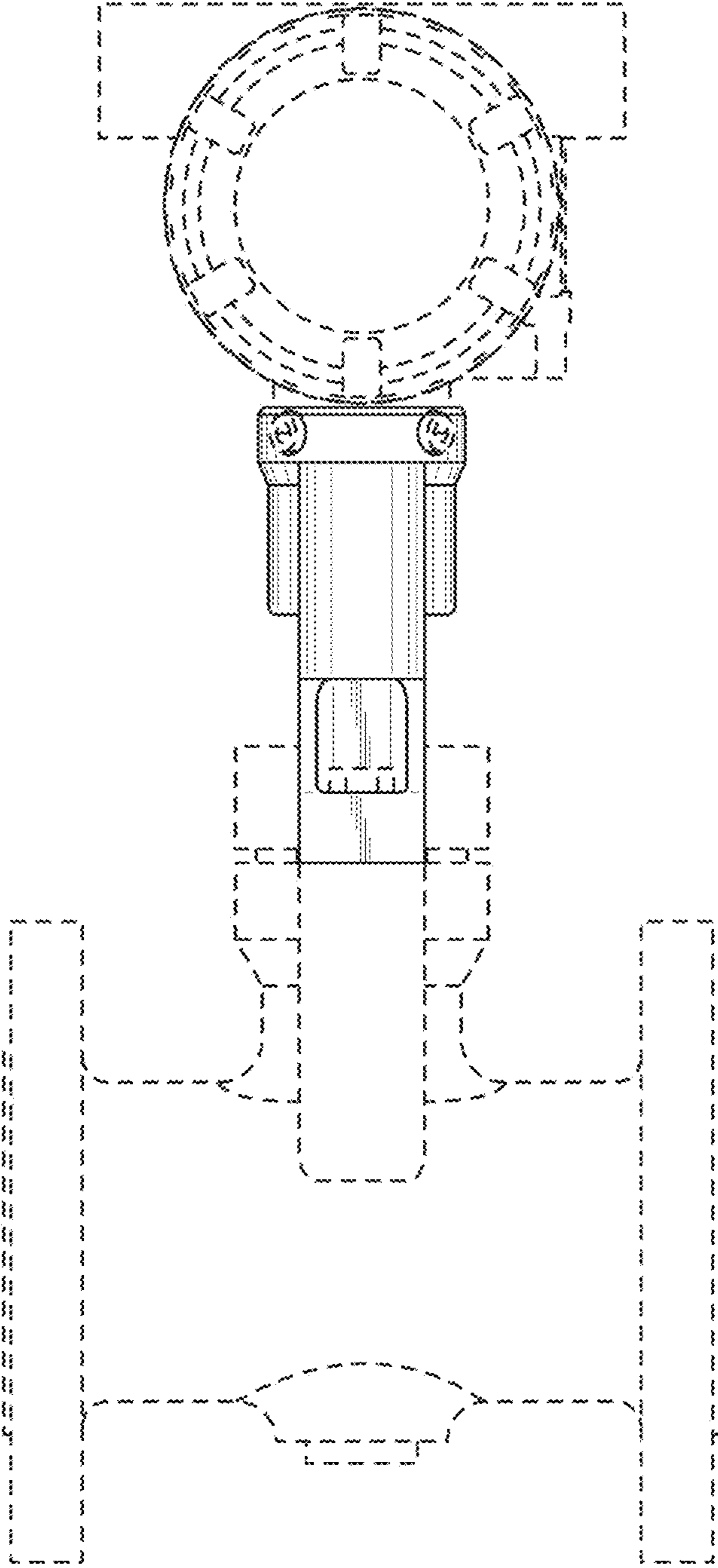


FIG. 7