



US00D988888S

(12) **United States Design Patent**  
**Liu et al.**

(10) **Patent No.:** **US D988,888 S**  
(45) **Date of Patent:** **\*\* Jun. 13, 2023**

(54) **LASER RADAR**

7/022; G01S 3/04; G01S 3/043; G01S  
3/046; G01S 3/781; G01S 3/80; G01S  
3/801; G01S 3/0205

(71) Applicant: **ZVISION TECHNOLOGIES CO.,  
LTD.**, Beijing (CN)

See application file for complete search history.

(72) Inventors: **Jiayao Liu**, Beijing (CN); **Chengliang  
Yan**, Beijing (CN); **Bin Cheng**, Beijing  
(CN); **Tuo Shi**, Beijing (CN)

(56) **References Cited**

U.S. PATENT DOCUMENTS

(73) Assignee: **ZVISION TECHNOLOGIES CO.,  
LTD.**, Beijing (CN)

5,200,606 A *	4/1993	Krasutsky .....	G01S 17/10 250/234
10,384,541 B2 *	8/2019	Xiong .....	B60K 17/04
D964,970 S *	9/2022	Zhang .....	D14/230
D965,572 S *	10/2022	Zhang .....	D14/230
D974,337 S *	1/2023	Zhang .....	G01S 17/10 D14/230
D975,070 S *	1/2023	Zhang .....	B60K 17/04 D14/230

(\*\*) Term: **15 Years**

(21) Appl. No.: **29/790,961**

(22) Filed: **Dec. 22, 2021**

\* cited by examiner

(30) **Foreign Application Priority Data**

*Primary Examiner* — Antoine Duval Davis

Jun. 25, 2021 (CN) ..... 202130396223.5

(74) *Attorney, Agent, or Firm* — Syncoda LLC; Feng Ma

(51) **LOC (14) Cl.** ..... **10-04**

(57) **CLAIM**

(52) **U.S. Cl.**  
USPC ..... **D10/70**

The ornamental design for a laser radar, as shown and described.

(58) **Field of Classification Search**

**DESCRIPTION**

USPC ..... D10/70  
CPC ..... G01S 2007/027; G01S 2007/028; G01S  
2007/032; G01S 7/481; G01S 7/4811;  
G01S 7/4812; G01S 7/4813; G01S  
7/4814; G01S 7/4815; G01S 7/4816;  
G01S 7/4817; G01S 7/4818; G01S  
7/52079; G01S 7/521; G01S 7/523; G01S  
7/524; G01S 7/526; G01S 13/91; G01S  
13/92; G01S 13/93; G01S 13/931; G01S

FIG. 1 is a front view of a laser radar showing our new design;

FIG. 2 is a back view thereof;

FIG. 3 is a left side view thereof;

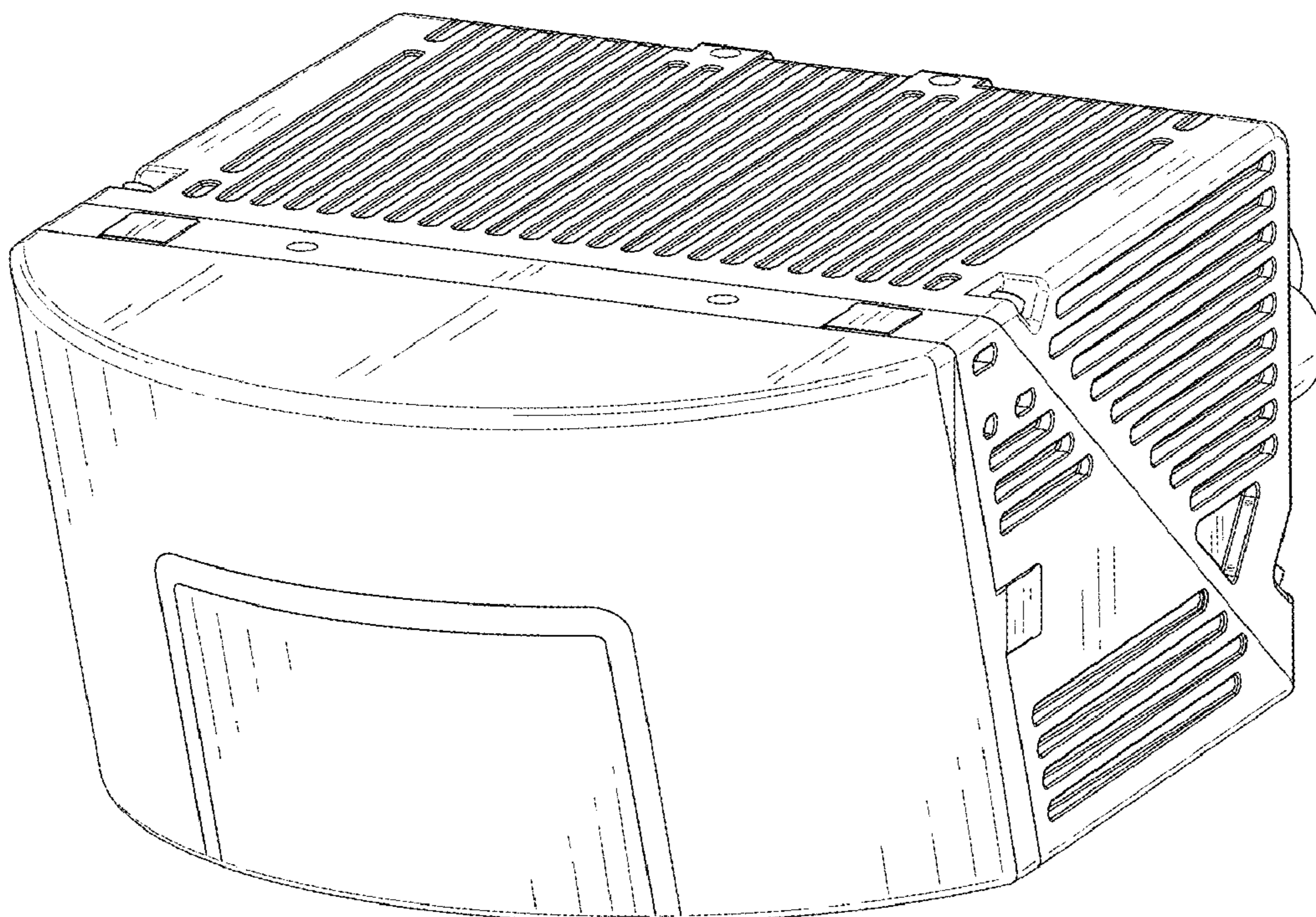
FIG. 4 is a right side view thereof;

FIG. 5 is a top view thereof;

FIG. 6 is a bottom view thereof; and,

FIG. 7 is a front, right side perspective view thereof.

**1 Claim, 7 Drawing Sheets**



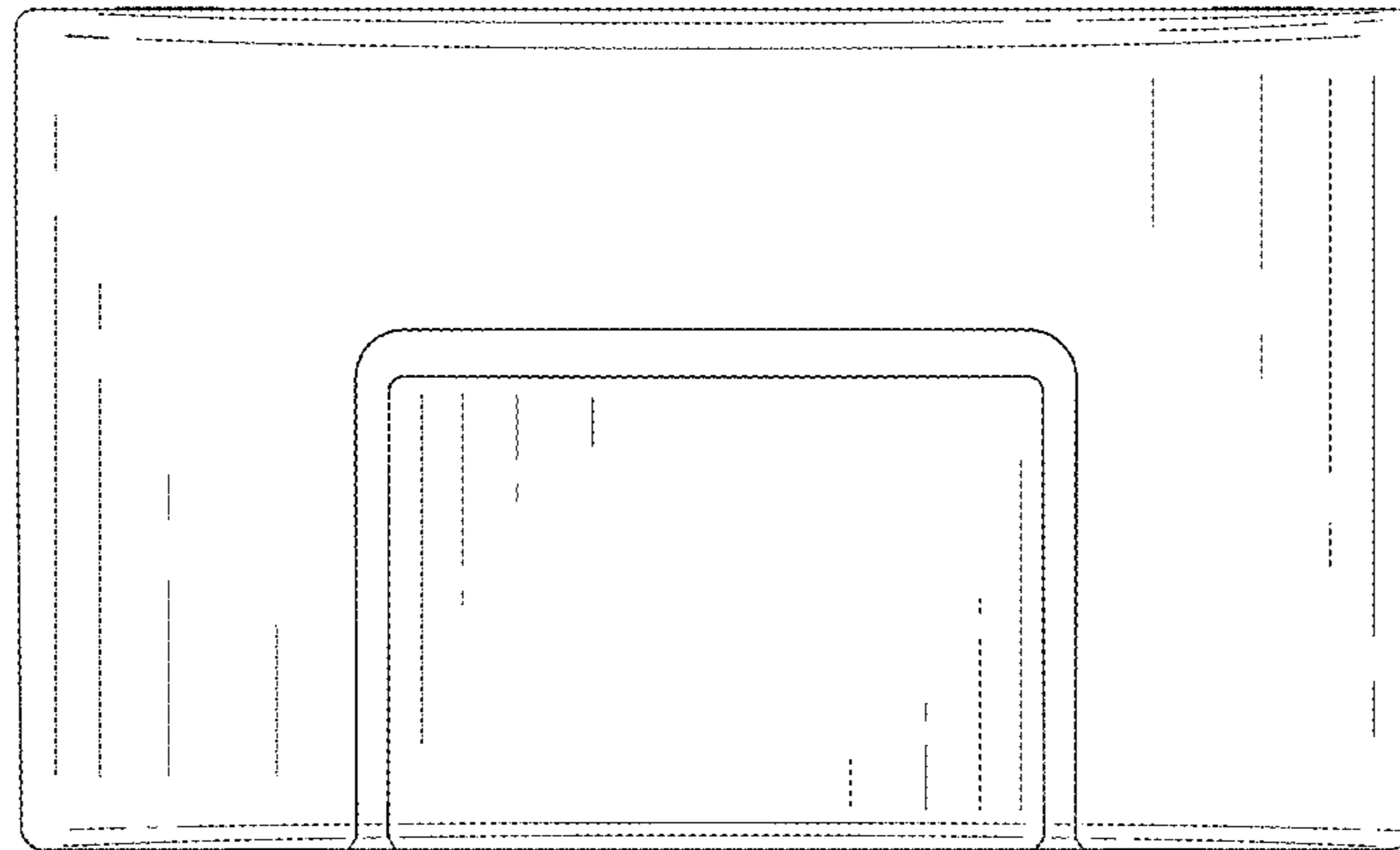


FIG. 1

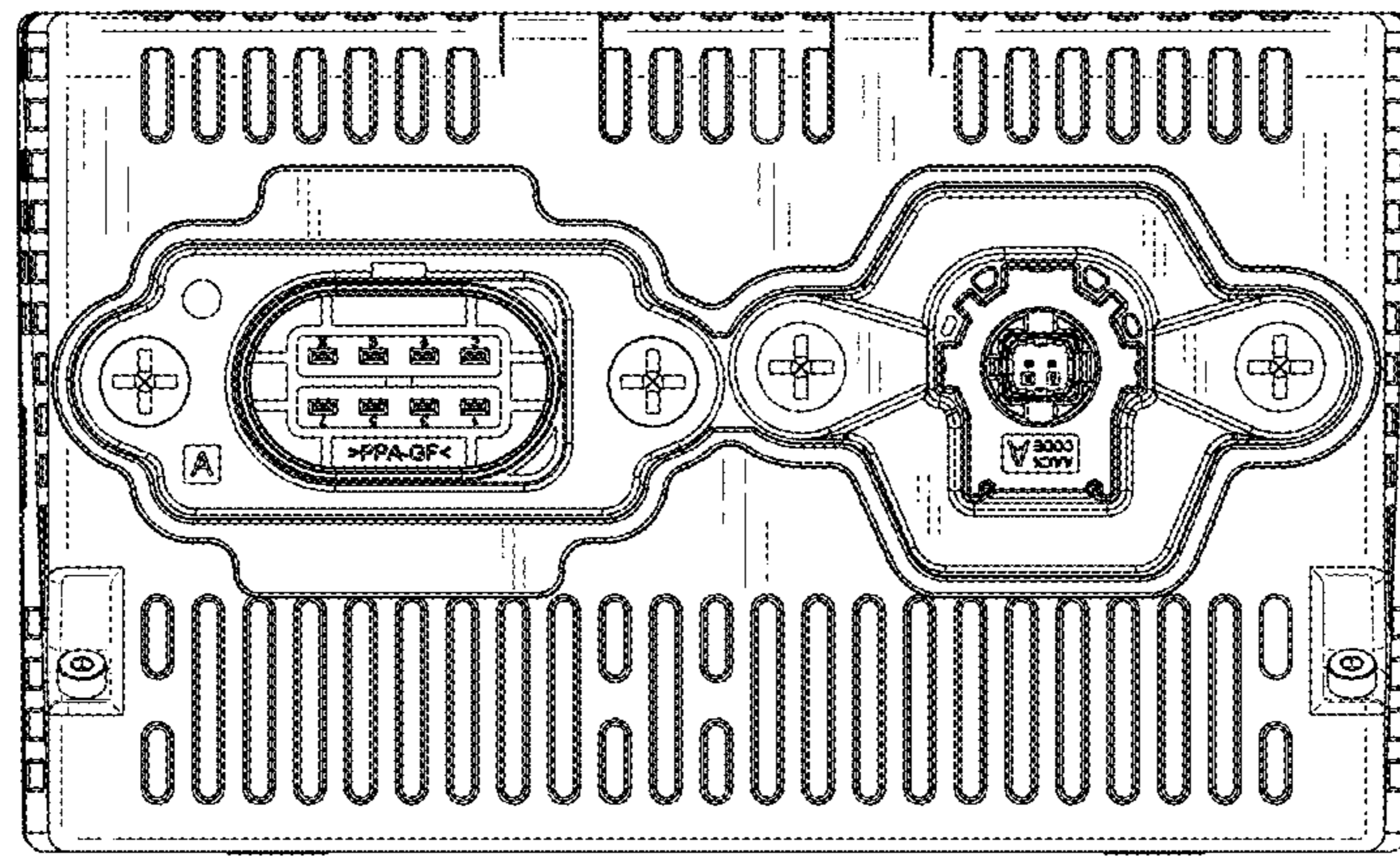


FIG. 2

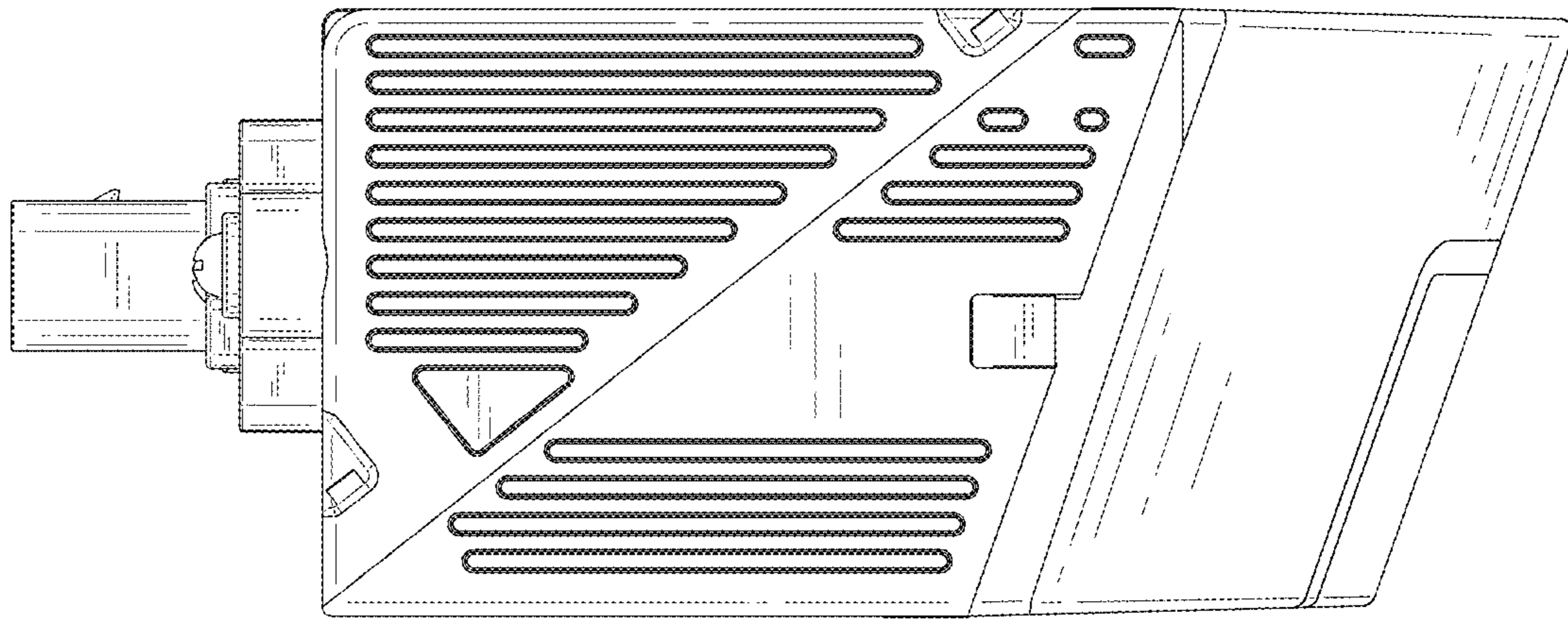


FIG. 3

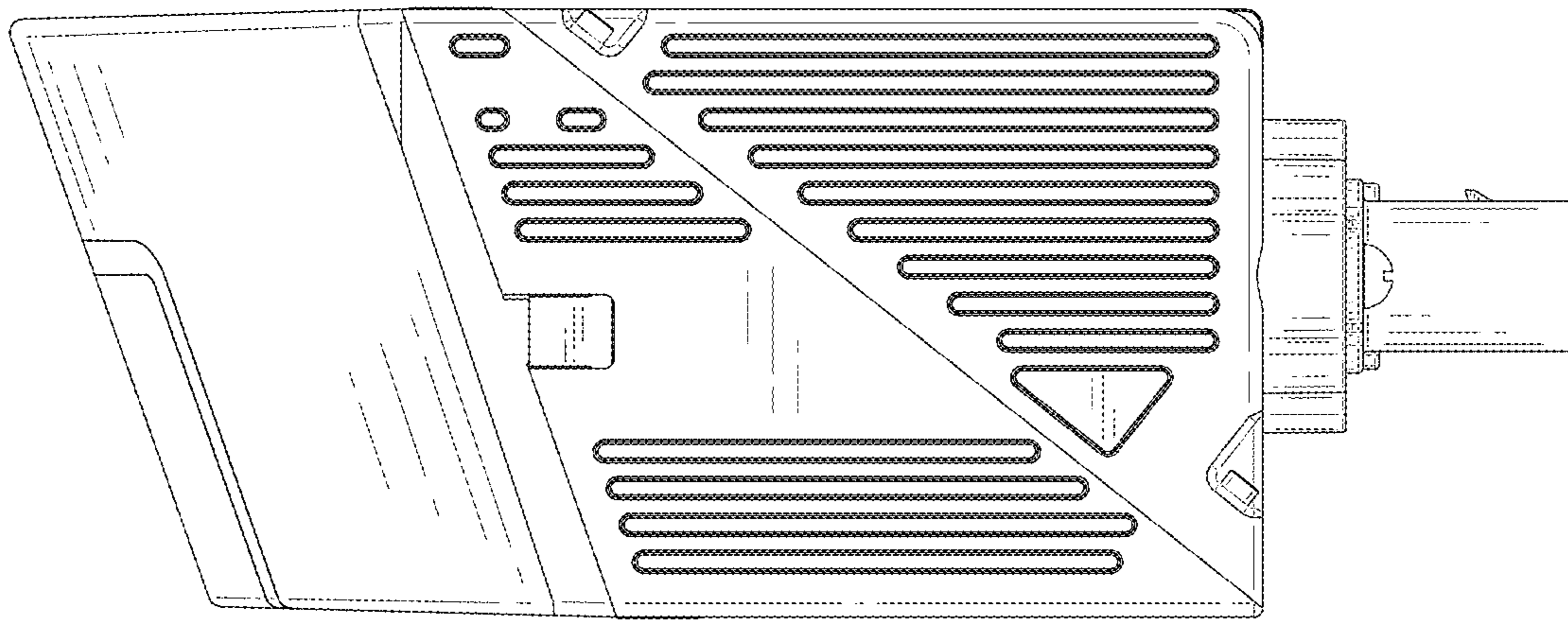


FIG. 4

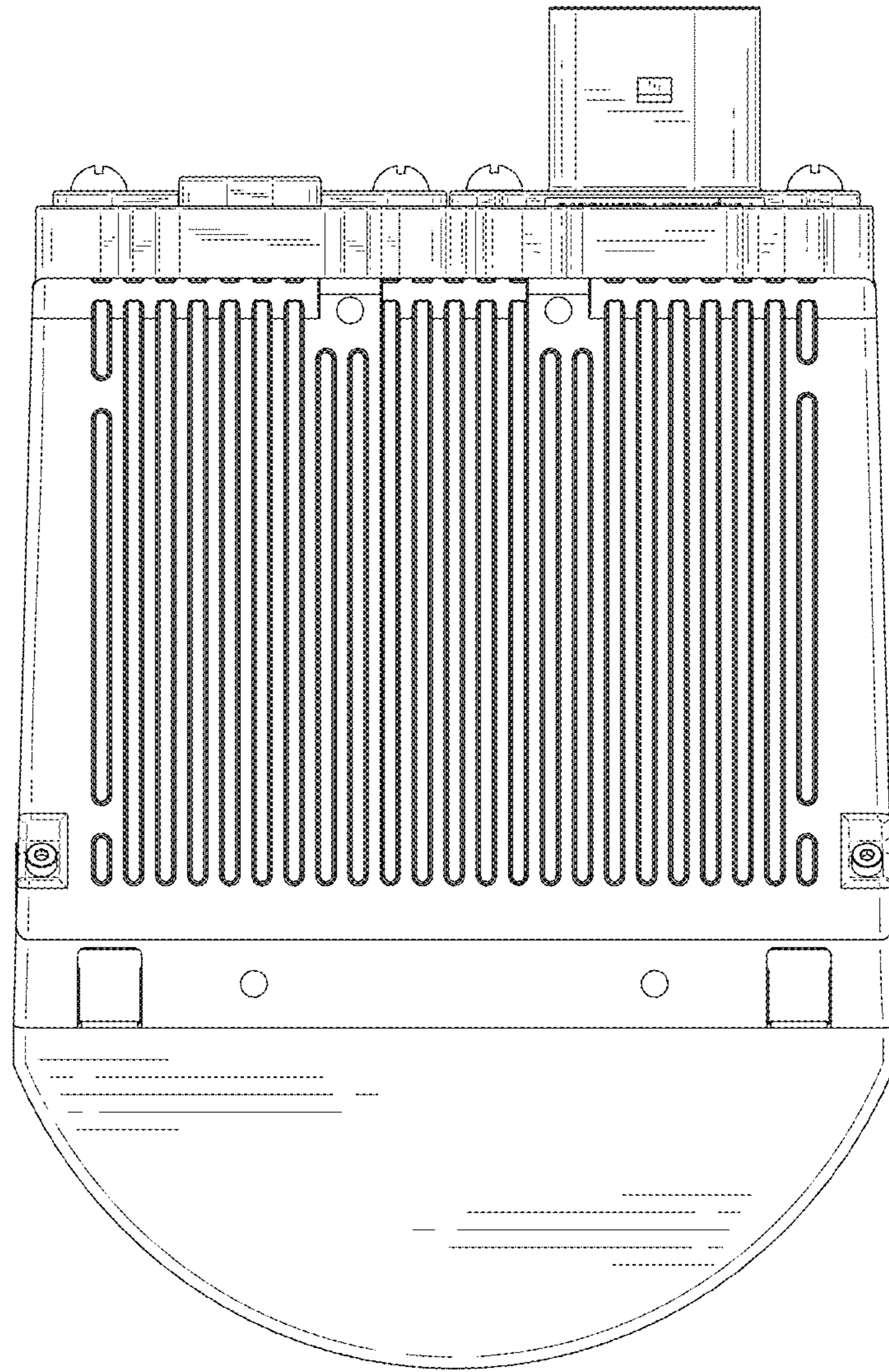


FIG. 5

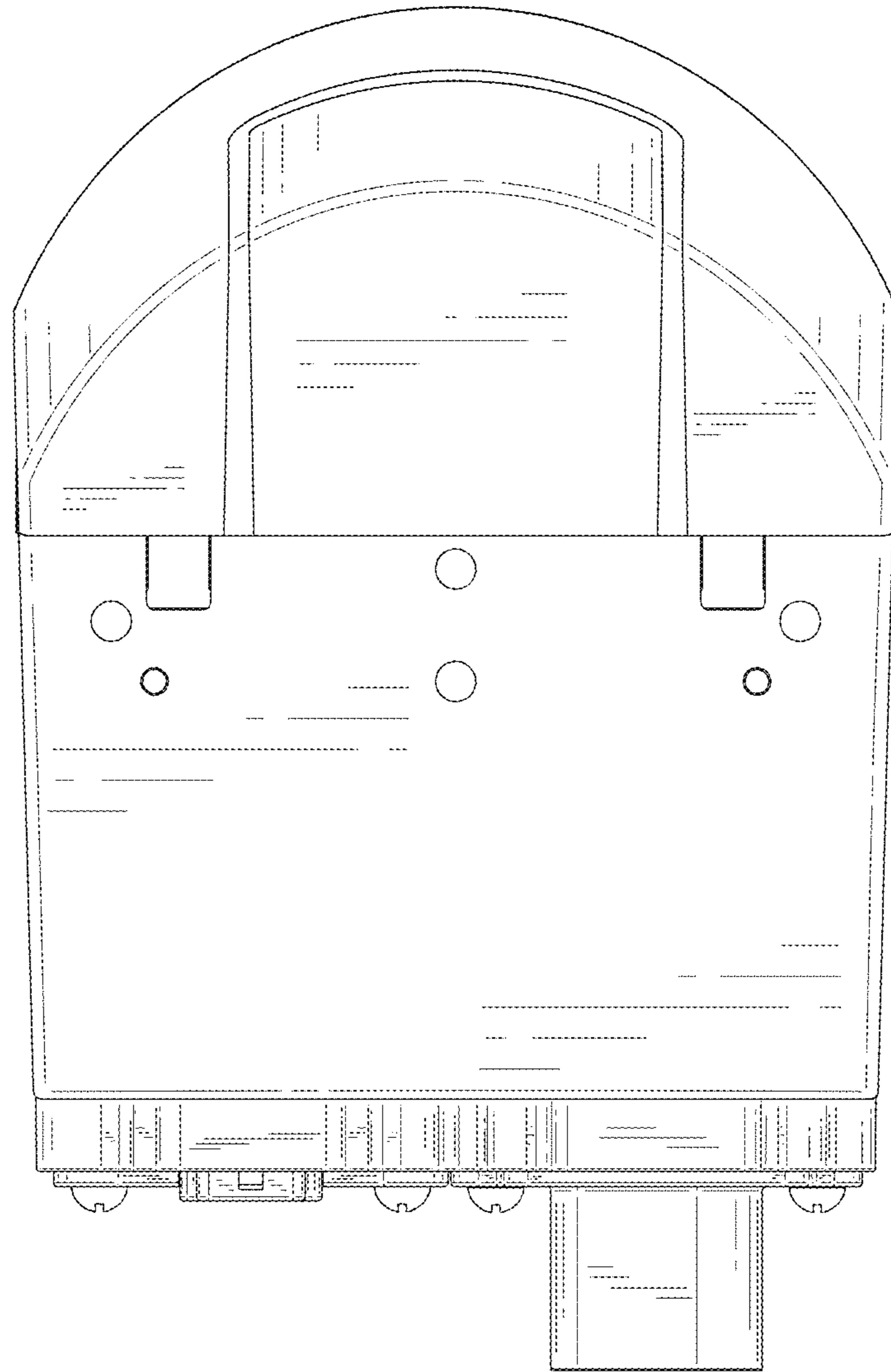


FIG. 6

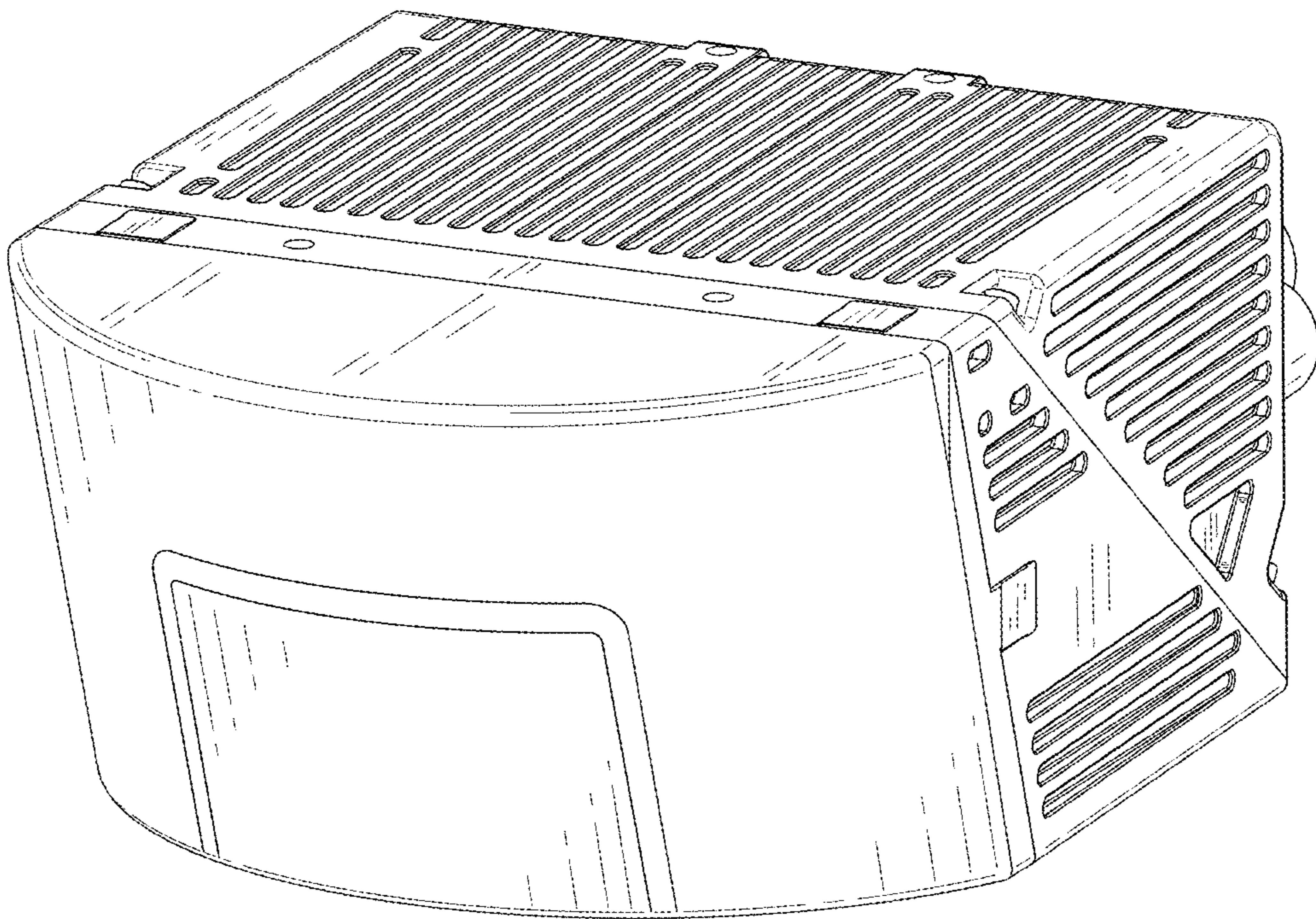


FIG. 7