



US00D988881S

(12) **United States Design Patent**
Gimenez

(10) **Patent No.:** **US D988,881 S**
(45) **Date of Patent:** **** Jun. 13, 2023**

(54) **WATCH DIAL**
(71) Applicant: **Cartier International AG**, Steinhausen (CH)
(72) Inventor: **Nicole Gimenez**, Mont-sur-Rolle (CH)
(**) Term: **15 Years**
(21) Appl. No.: **35/514,170**
(22) Filed: **Feb. 28, 2022**

D309,871 S * 8/1990 Grinberg D10/126
D309,872 S * 8/1990 Grinberg D10/126
D309,873 S * 8/1990 Grinberg D10/126
D373,322 S * 9/1996 Helleu D10/125
D473,802 S * 4/2003 Berliat D10/39
D474,700 S * 5/2003 Court D10/39
D506,935 S * 7/2005 Dreyfuss D10/32
D522,886 S * 6/2006 Bolt D10/39
D545,712 S * 7/2007 Nataf D10/125
D546,203 S * 7/2007 Campos D10/32
D620,381 S * 7/2010 Rabassa D10/126
D650,709 S * 12/2011 Duport D10/39
D902,064 S * 11/2020 Abeillon D10/125
D902,065 S * 11/2020 Gimenez D10/125
D906,844 S * 1/2021 Abeillon D10/39

(80) **Hague Agreement Data**

Int. Filing Date: **Feb. 28, 2022**
Int. Reg. No.: **DM/219437**
Int. Reg. Date: **Feb. 28, 2022**
Int. Reg. Pub. Date: **Apr. 29, 2022**

(51) **LOC (14) Cl.** **10-07**
(52) **U.S. Cl.**
USPC **D10/125**
(58) **Field of Classification Search**
USPC D10/30, 31, 32, 38, 39, 1, 125, 122, 123,
D10/124, 126, 132
CPC G04B 37/00; G04B 37/0008; G04B 37/04;
G04B 37/06; G04B 37/12; G04B 37/18;
G04B 39/00; G04B 39/002; G04B
39/004; G04B 39/008; G04B 39/02;
G04B 19/00; G04B 19/02; G04B 19/04;
G04B 19/06; G04B 19/08; G04B 19/20
See application file for complete search history.

(56) **References Cited**

U.S. PATENT DOCUMENTS

D252,193 S * 6/1979 Day D10/125
D262,949 S * 2/1982 Perrin D10/32
D267,549 S * 1/1983 Kanoui D10/39
D309,870 S * 8/1990 Grinberg D10/126

OTHER PUBLICATIONS

Amazon, SKMEI Waterproof fashion business wristwatch, posted Aug. 23, 2016, [online], [visited Apr. 17, 2023]. Internet, <URL: <https://www.amazon.co.uk/SKMEI-Waterproof-Fashion-Business-WristWatches/dp/B01KXCYYJM/ref>> (Year: 2016).*

(Continued)

Primary Examiner — Samantha Wood

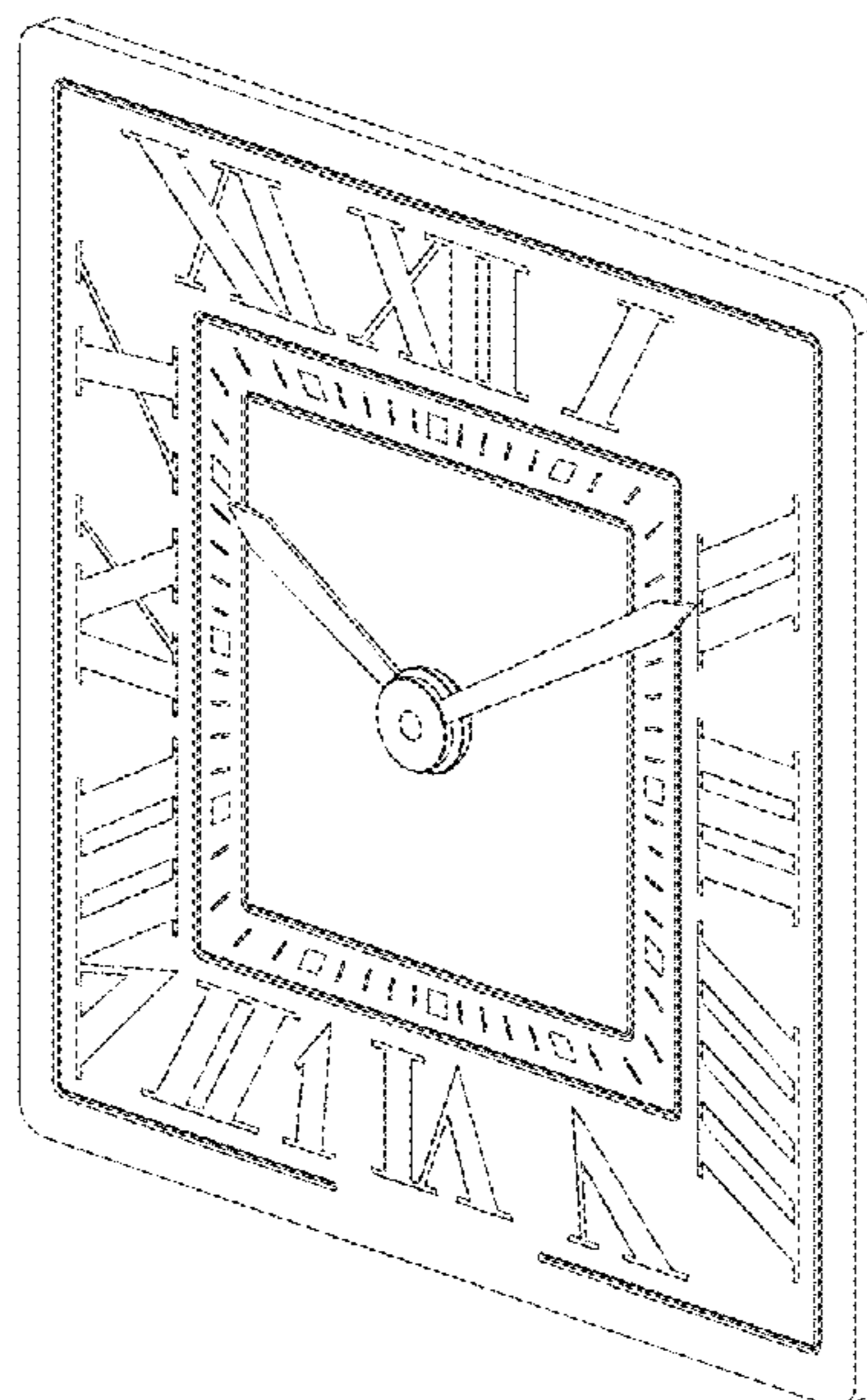
(57) **CLAIM**

The ornamental design for a watch dial, as shown and described.

DESCRIPTION

- 1. Watch dial
- 1.1 : Front view
- 1.2 : Rear view
- 1.3 : Top view
- 1.4 : Bottom view
- 1.5 : Left side view
- 1.6 : Right side view
- 1.7 : Front Perspective view
- 1.8 : Rear Perspective view

1 Claim, 8 Drawing Sheets



(56)

References Cited

OTHER PUBLICATIONS

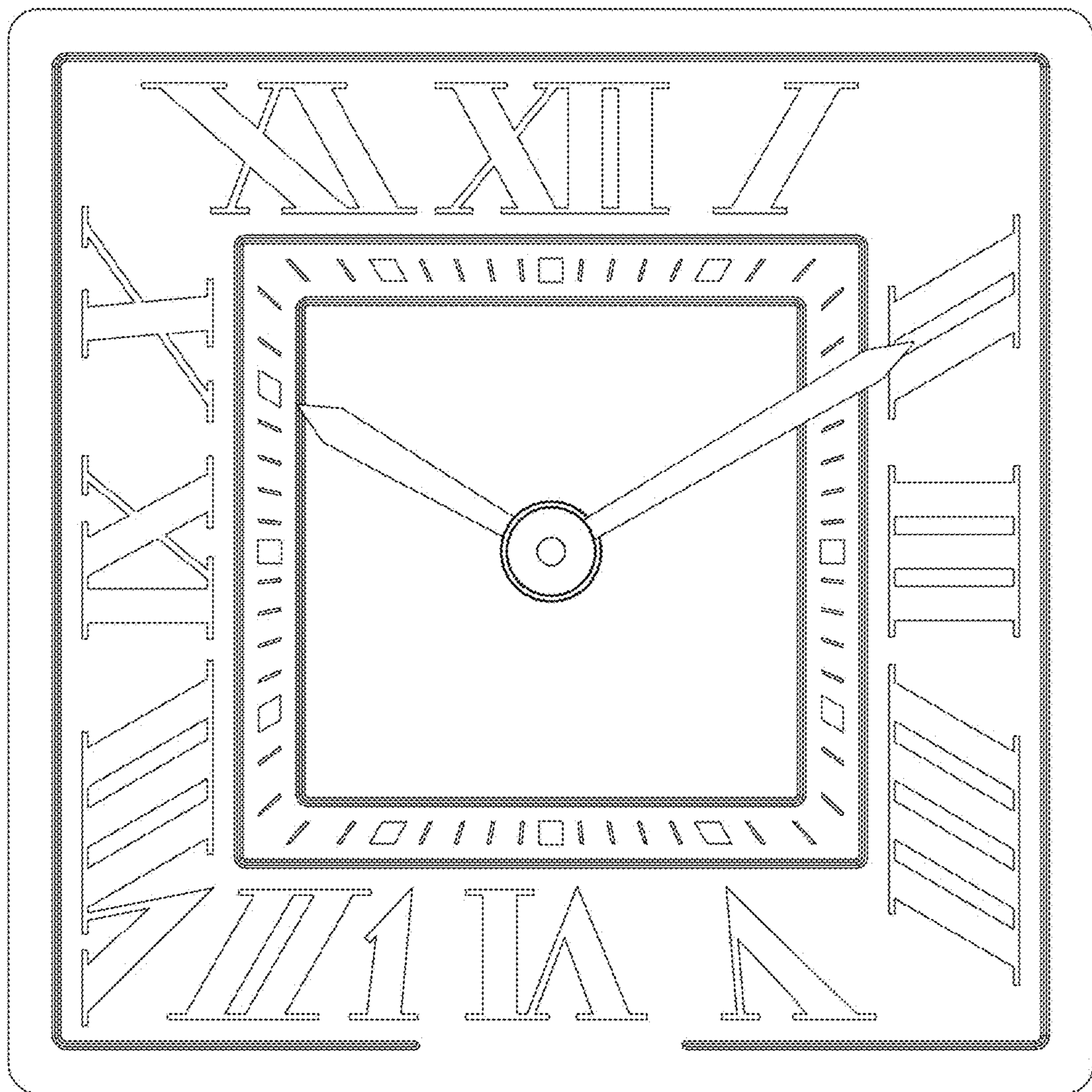
Amazon, Rorios Women Watch Analogue, posted Jul. 1, 2021, [online], [visited Apr. 17, 2023]. Internet, <URL: <https://www.amazon.co.uk/RORIOS-Analogue-Stainless-Waterproof-Wristwatch/dp/B09F6BSYL2/ref>> (Year: 2021).*

Amazon, Rorios Fashion Square Women Watch, posted Apr. 5, 2022, [online], [visited Apr. 17, 2023]. Internet, <URL: <https://www.amazon.co.uk/dp/B0B5RFVXGP/ref>> (Year: 2022).*

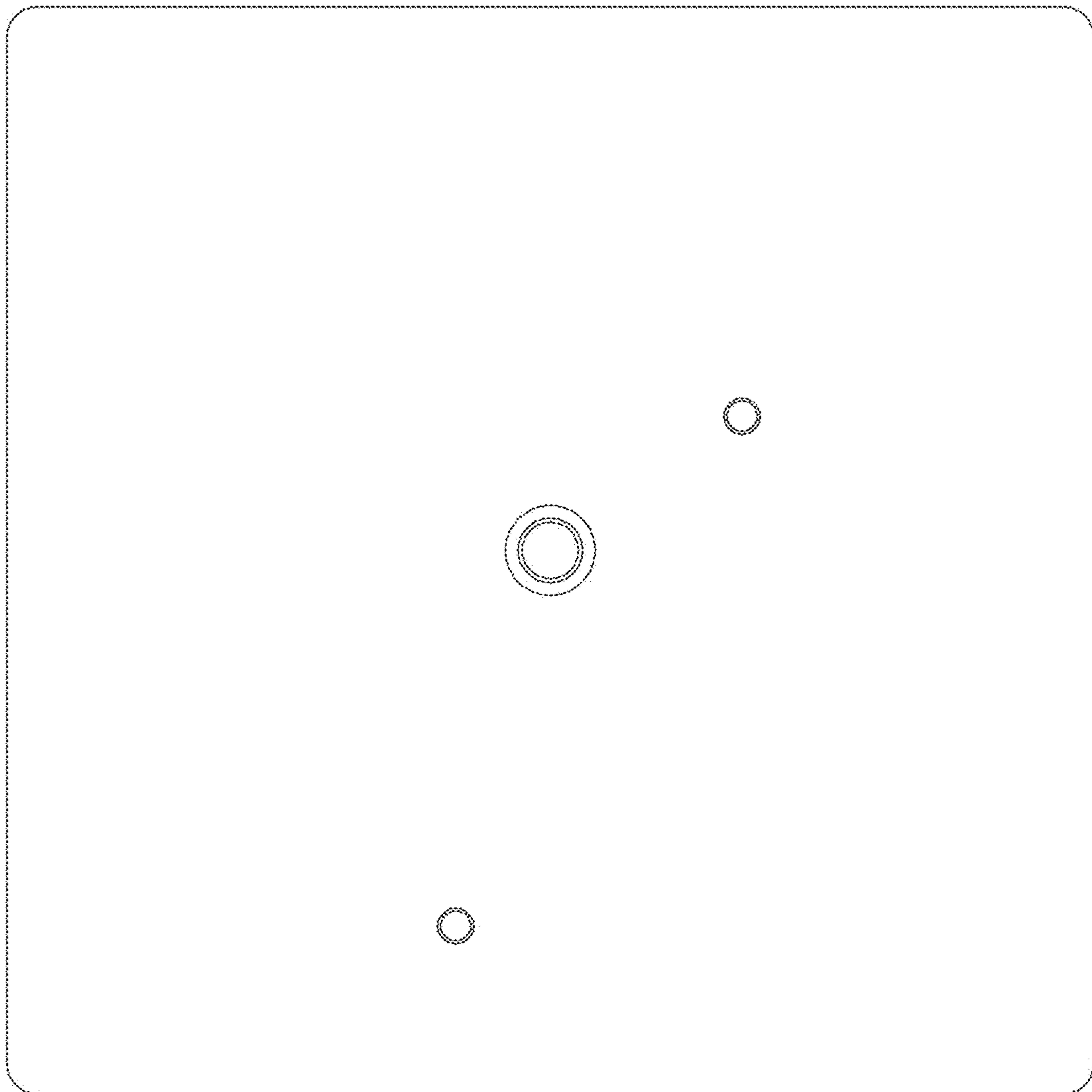
Monochrome—watches, Hands on The Cartier Santos-Dumont with Lacquered Cases Are in For the Win, posted Jul. 22, 2022, [online], [visited Apr. 17, 2023]. Internet, <URL: <https://monochrome-watches.com/cartier-santos-dumont-lacquered-collection-2022-hands-on-review-price/>> (Year: 2022).*

* cited by examiner

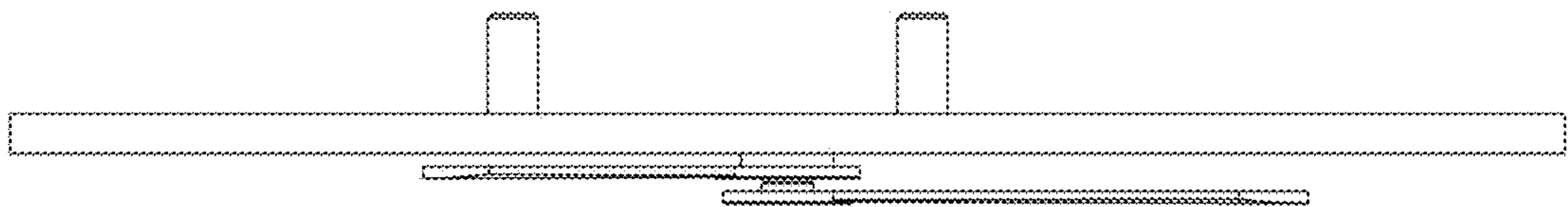
1.1



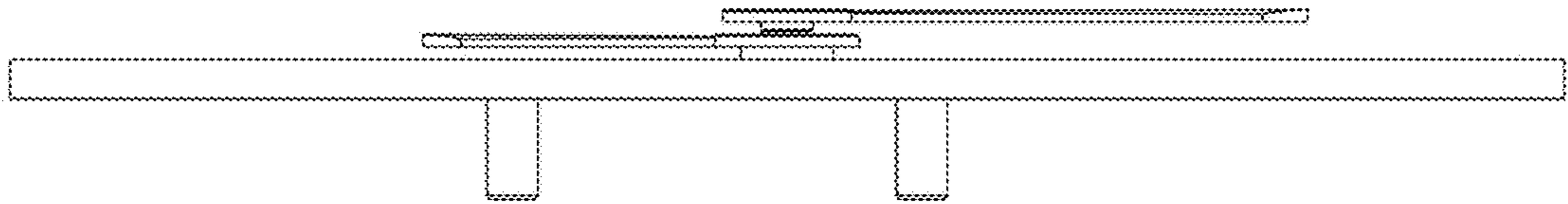
1.2



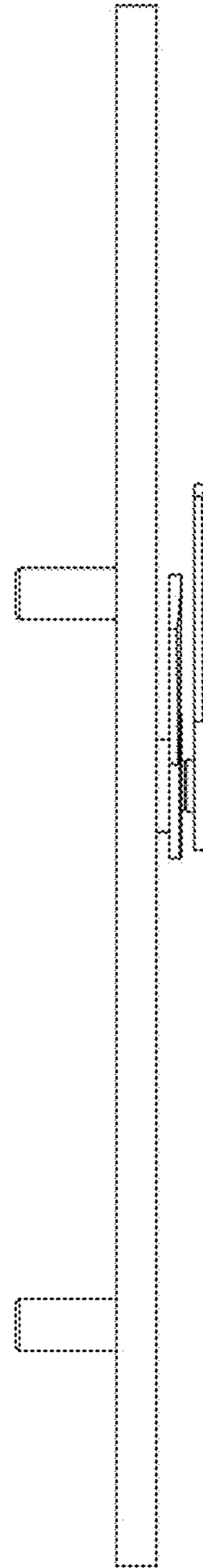
1.3



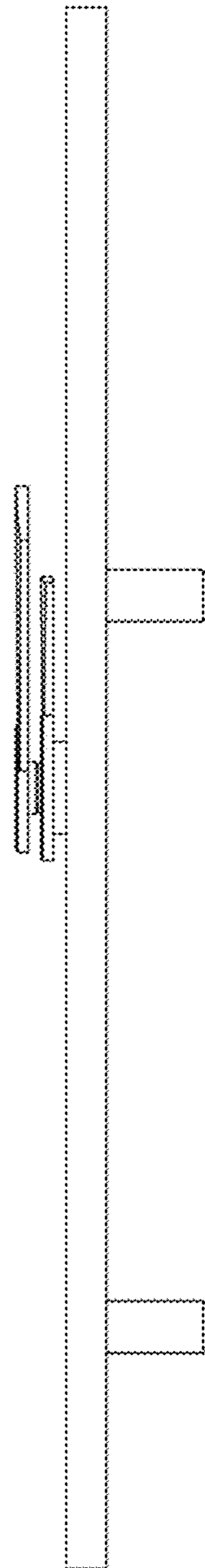
1.4



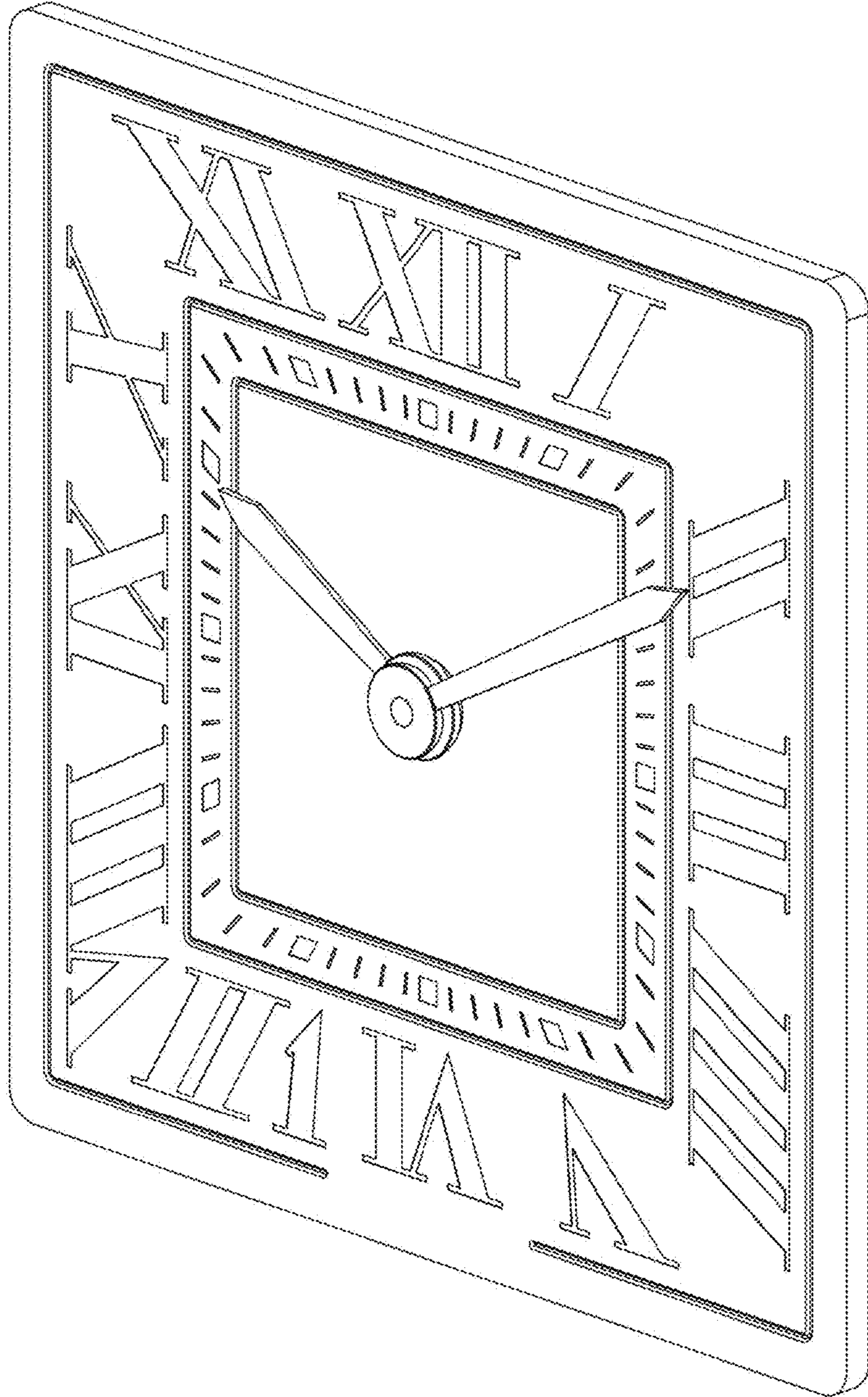
1.5



1.6



1.7



1.8

