



US00D988880S

(12) **United States Design Patent**
Gimenez

(10) **Patent No.:** **US D988,880 S**
(45) **Date of Patent:** **** Jun. 13, 2023**

(54) **WATCH CASE**

(71) Applicant: **Cartier International AG**, Steinhausen (CH)

(72) Inventor: **Nicole Gimenez**, Mont-sur-Rolle (CH)

(73) Assignee: **Cartier International AG**, Steinhausen (CH)

(**) Term: **15 Years**

(21) Appl. No.: **29/747,208**

(22) Filed: **Aug. 20, 2020**

(30) **Foreign Application Priority Data**

Feb. 21, 2020 (WO) WIPO92347

(51) **LOC (14) Cl.** **10-02**

(52) **U.S. Cl.**
USPC **D10/39**

(58) **Field of Classification Search**

USPC D10/30-39, 122-129
CPC G04B 19/00; G04B 19/02; G04B 19/025;
G04B 19/04; G04B 19/042; G04B 19/06;
G04B 19/065; G04B 19/08; G04B
19/085; G04B 19/087; G04B 37/00;
G04B 37/0058; G04B 37/14; G04B
37/1446; G04B 37/18; G04B 45/0046;
G04B 45/0069; G04B 45/0076; G04B
39/00; G04B 39/002; G04B 39/0004;
G04B 39/0006

See application file for complete search history.

(56) **References Cited**

U.S. PATENT DOCUMENTS

D296,991 S * 8/1988 Lauper D10/30
4,970,708 A * 11/1990 Gagnebin G04B 37/05
368/300

D328,866 S * 8/1992 Deleskiewicz D10/39
D380,393 S * 7/1997 Molas D10/30
D386,984 S * 12/1997 Kubisch D10/30
D649,069 S * 11/2011 Galli D10/37
D684,484 S * 6/2013 Chastaingt D10/34
D705,675 S * 5/2014 Abdourahim D10/39
D707,571 S * 6/2014 Cerrato D10/38
D759,506 S * 6/2016 Rabassa D10/34
D762,494 S * 8/2016 Galli D10/126
D796,347 S * 9/2017 Yoshida D10/38
D833,891 S * 11/2018 Russo D10/32

(Continued)

OTHER PUBLICATIONS

Introducing The Cartier Pasha de Cartier | hodinkee.com; posted Apr. 24, 2020 [online]. © 2009-2022, Hodinkee Inc [retrieved Aug. 12, 2022] from Internet: <https://www.hodinkee.com/articles/pasha-de-cartier-in-41mm-and-35mm-introducing> (Year: 2020).*

(Continued)

Primary Examiner — Katherine Glennon

(74) *Attorney, Agent, or Firm* — Taft Stettinius & Hollister LLP

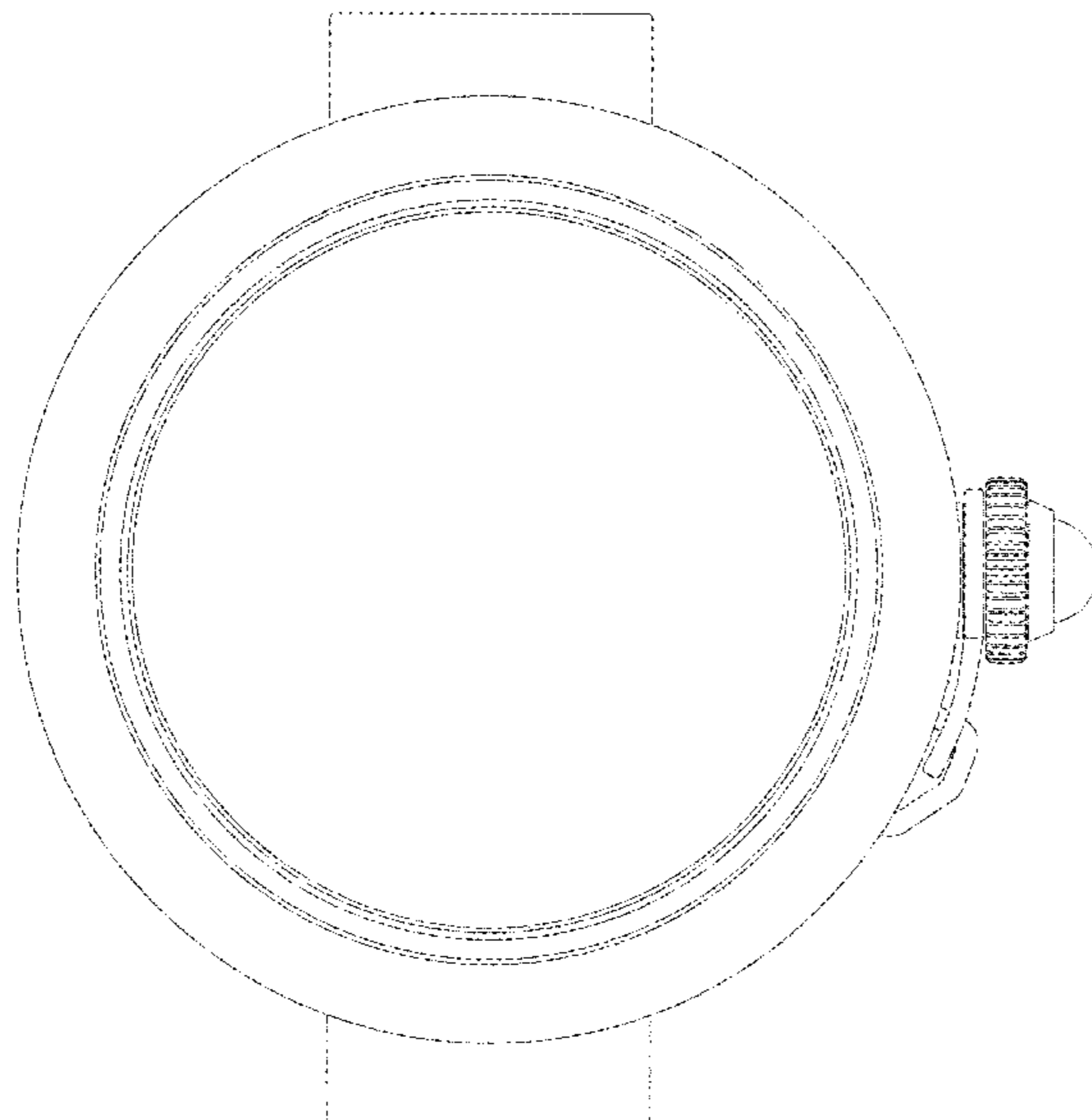
(57) **CLAIM**

The ornamental design for a watch case, as shown and described.

DESCRIPTION

FIG. 1 is a front elevational view of a watch case showing my new design;
FIG. 2 is a back elevational view thereof;
FIG. 3 is a top plan view thereof;
FIG. 4 is a bottom plan view thereof;
FIG. 5 is a left side elevational thereof;
FIG. 6 is a right side elevational view thereof;
FIG. 7 is a front, bottom, right side perspective view thereof; and,
FIG. 8 is a back, bottom, left side perspective view thereof.

1 Claim, 8 Drawing Sheets



(56)

References Cited

U.S. PATENT DOCUMENTS

D868,599 S * 12/2019 Cabral D10/39
D947,685 S * 4/2022 Gimenez D10/39

OTHER PUBLICATIONS

The 35-year Story of the Pasha de Cartier | revolutionwatch.com;
posted Jul. 27, 2020 [online], © [retrieved Aug. 12, 2022] from
Internet: <<https://revolutionwatch.com/the-35-year-story-of-the-pasha-de-cartier/>> (Year: 2020).*

* cited by examiner

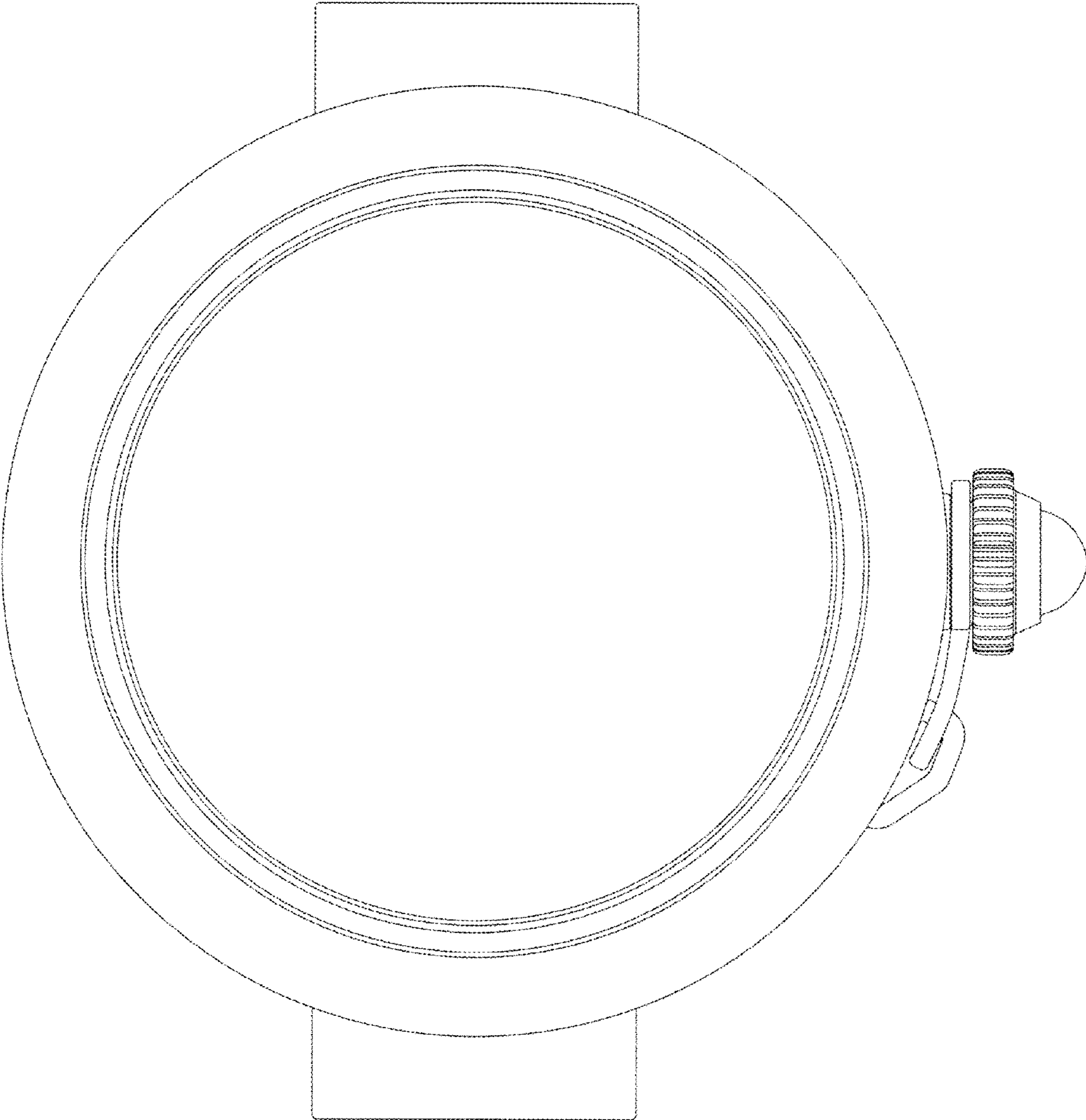


Fig. 1

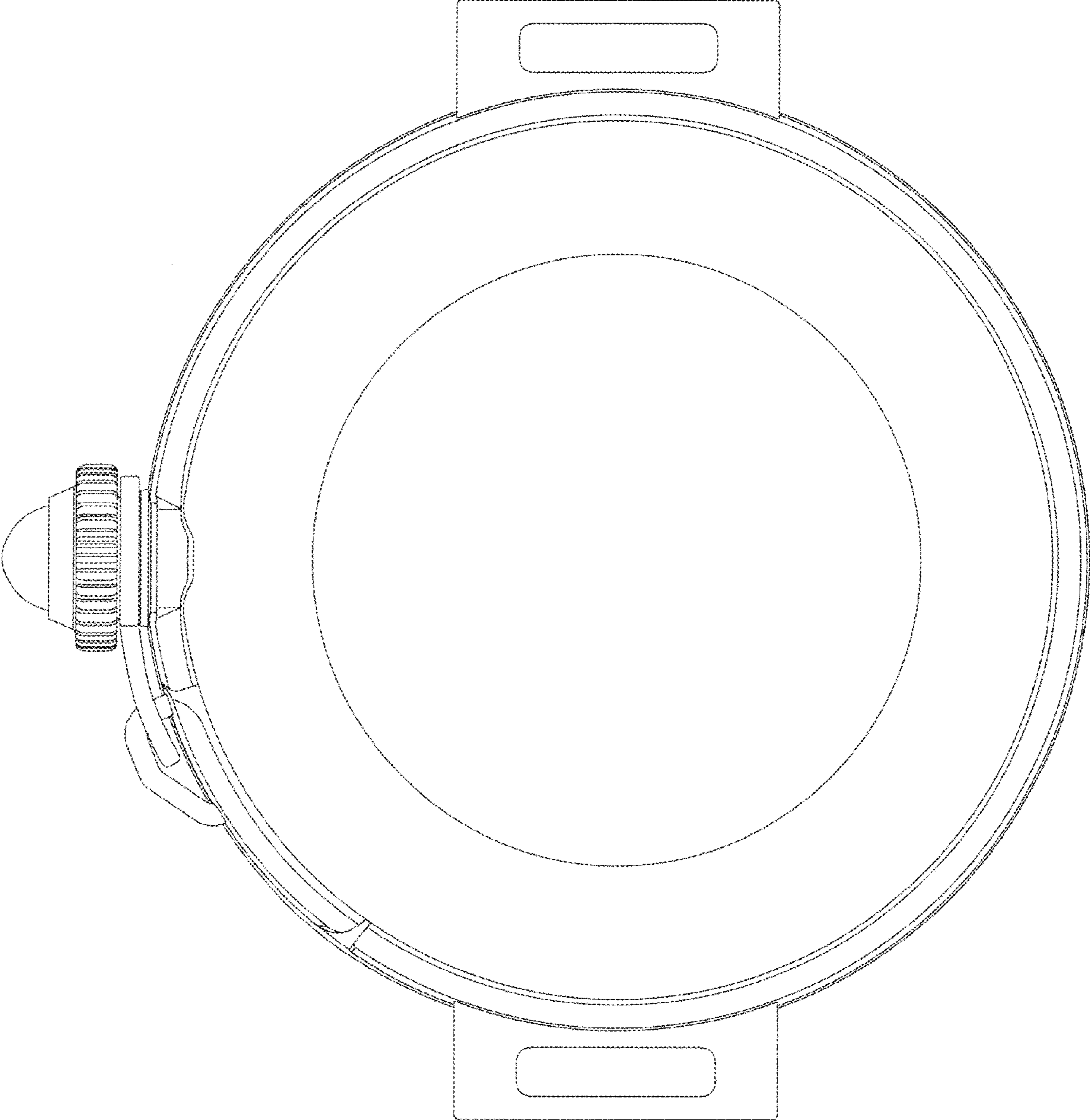


Fig. 2

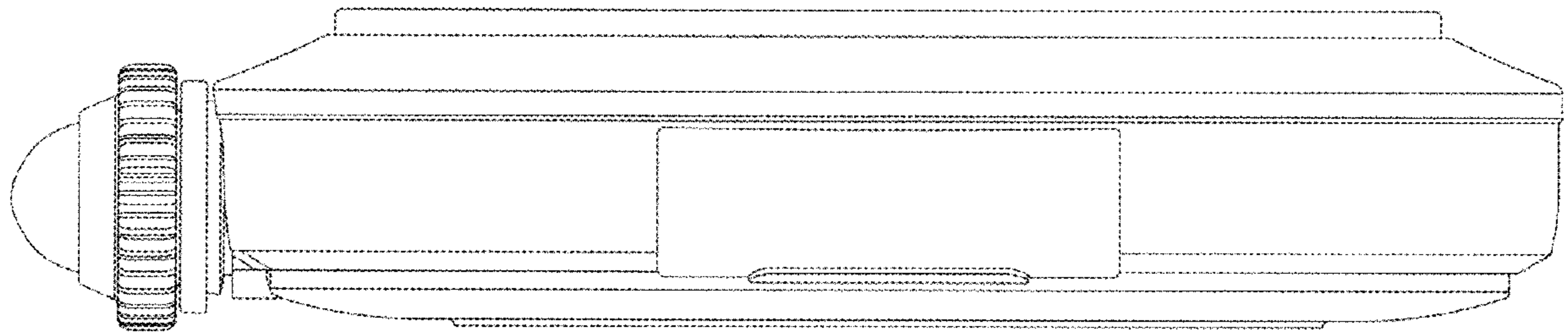


Fig. 3

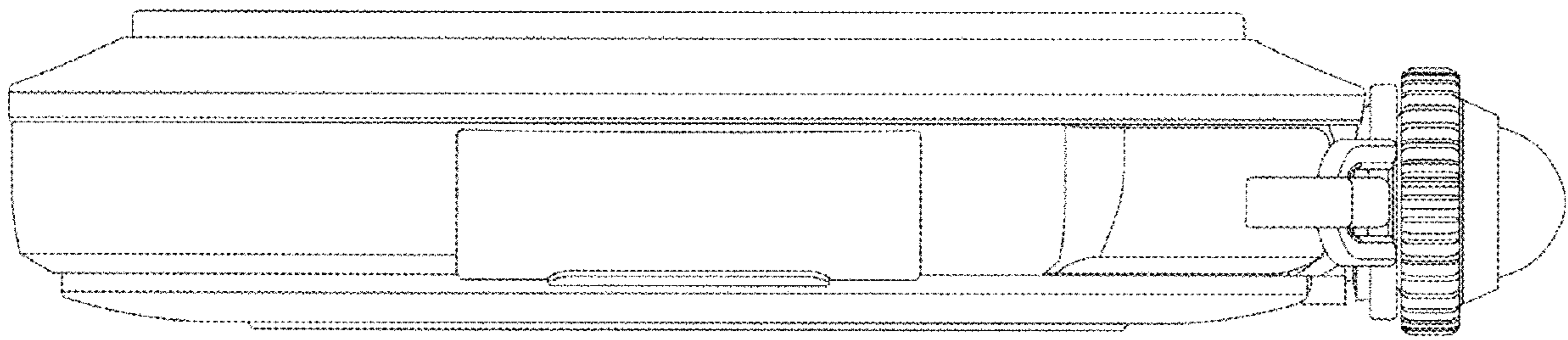


Fig. 4

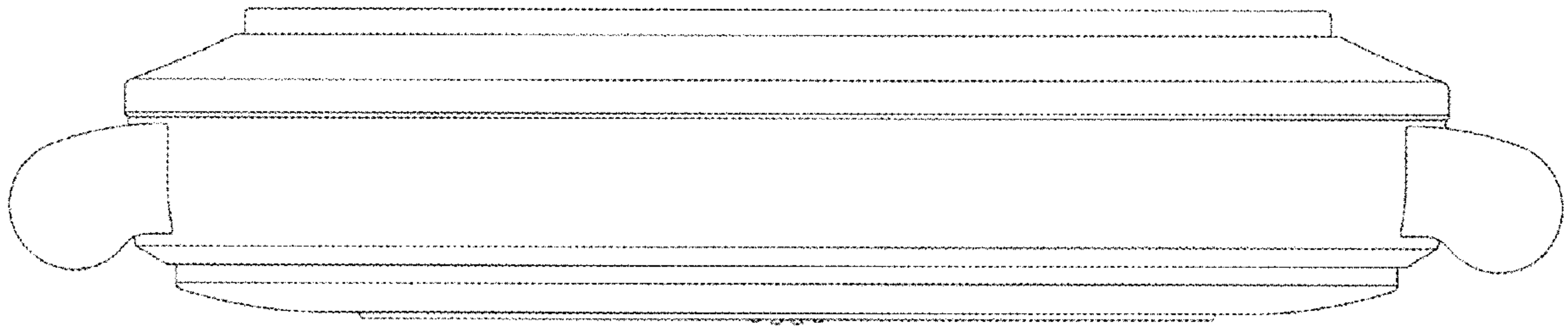


Fig. 5

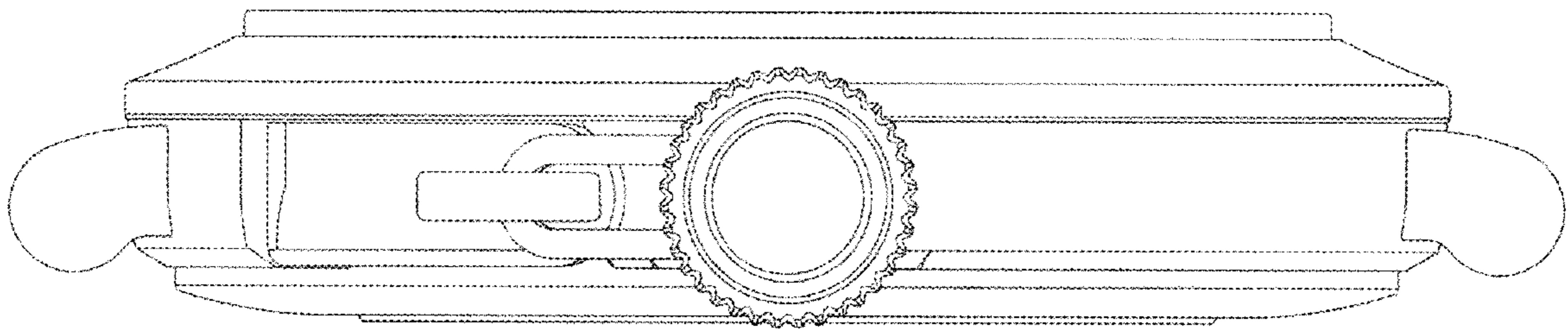


Fig. 6

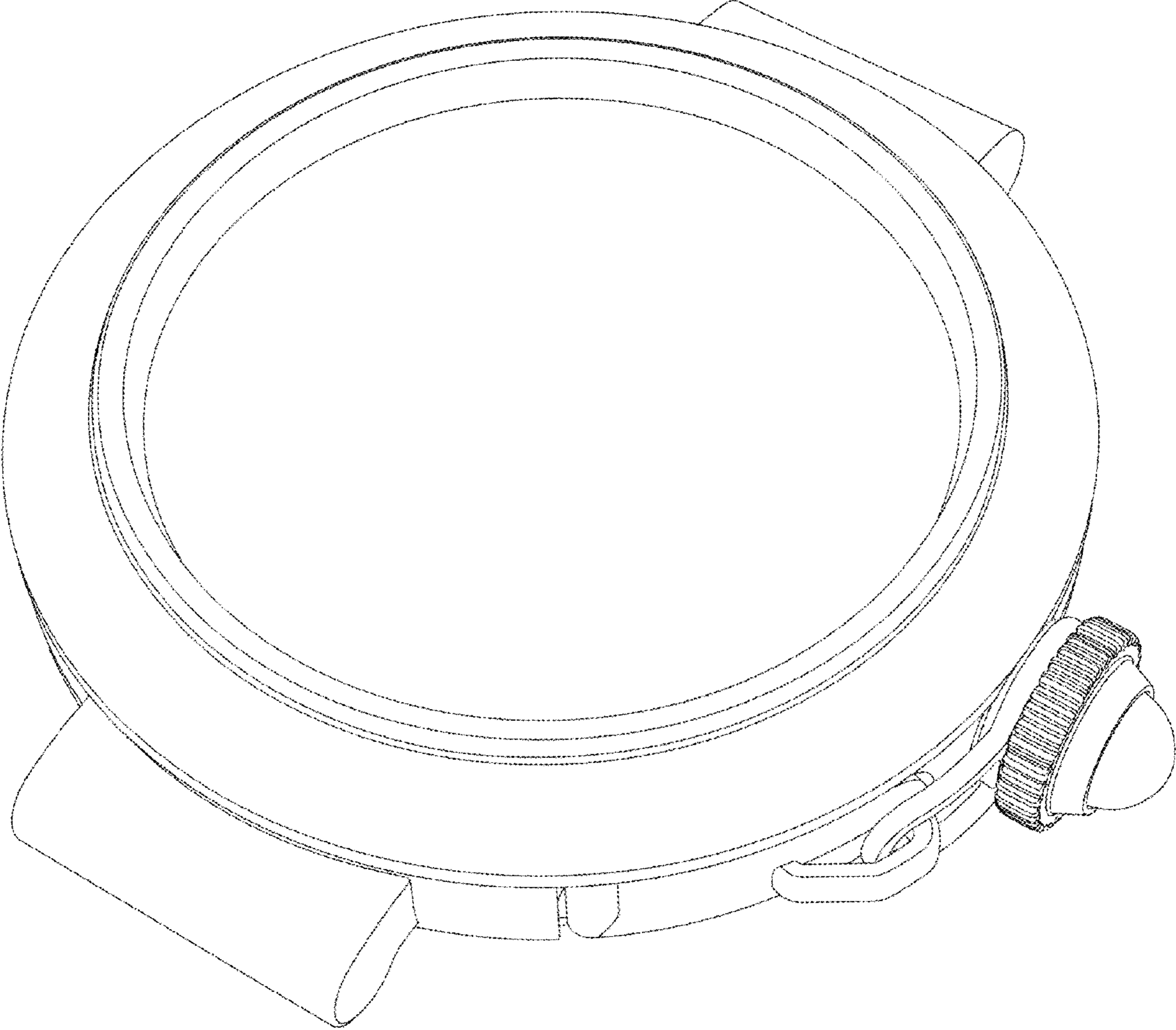


Fig. 7

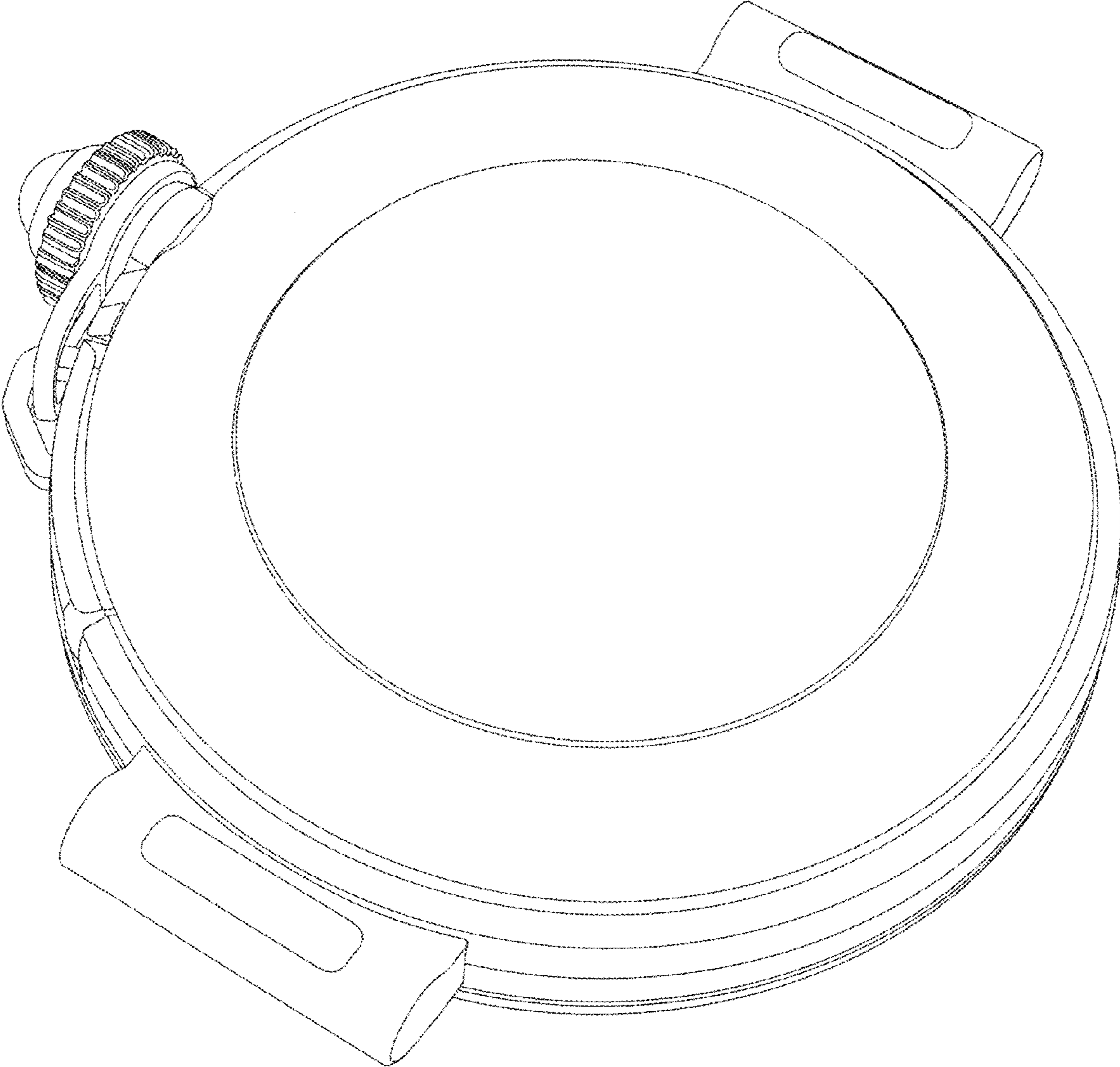


Fig. 8