



US00D988879S

(12) **United States Design Patent**
Gimenez

(10) **Patent No.:** **US D988,879 S**
(45) **Date of Patent:** **** Jun. 13, 2023**

(54) **WATCH**

(71) Applicant: **Cartier International AG**, Steinhausen (CH)

(72) Inventor: **Nicole Gimenez**, Mont-sur-Rolle (CH)

(73) Assignee: **Cartier International AG**, Steinhausen (CH)

(**) Term: **15 Years**

(21) Appl. No.: **29/747,206**

(22) Filed: **Aug. 20, 2020**

(51) **LOC (14) Cl.** **10-02**

(52) **U.S. Cl.**
USPC **D10/39**

(58) **Field of Classification Search**
USPC D10/30-39, 122-126
CPC G04B 19/00; G04B 19/02; G04B 19/025;
G04B 19/04; G04B 19/042; G04B 19/06;
G04B 19/065; G04B 19/08; G04B
19/085; G04B 19/087; G04B 37/00;
G04B 37/0058; G04B 37/14; G04B
37/1446; G04B 37/18; G04B 45/0046;
G04B 45/0069; G04B 45/0076; G04B
39/00; G04B 39/002; G04B 39/0004;
G04B 39/0006

See application file for complete search history.

(56) **References Cited**

U.S. PATENT DOCUMENTS

D252,193 S *	6/1979	Day	D10/125
D252,260 S *	7/1979	Day	D10/125
D262,949 S *	2/1982	Perrin	D10/32
D312,579 S *	12/1990	Aikawa	D10/22
D339,073 S *	9/1993	De Silva	D10/126
D367,429 S *	2/1996	Bulgari	D10/39
D404,321 S *	1/1999	Dumas	D10/30
D476,581 S *	7/2003	Calvani	D10/30

D506,935 S *	7/2005	Dreyfuss	D10/32
D509,447 S *	9/2005	Scheufele	D10/39
D525,149 S *	7/2006	Plan	D10/32
D525,552 S *	7/2006	Calvani	D10/126
D606,889 S *	12/2009	Nusbbaumer	D10/39
D649,069 S *	11/2011	Galli	D10/37
D705,087 S *	5/2014	Monachon	D10/39
D758,892 S *	6/2016	Rabassa	D10/34
D834,430 S *	11/2018	Schaad	D10/30
D861,507 S *	10/2019	Gimenez	D10/39
D868,599 S *	12/2019	Cabral	D10/39

(Continued)

OTHER PUBLICATIONS

Introducing The Cartier Pasha de Cartier | hodinkee.com; posted Apr. 24, 2020 [online]. © 2009-2022, Hodinkee Inc [retrieved Aug. 12, 2022] from Internet: <<https://www.hodinkee.com/articles/pasha-de-cartier-in-41mm-and-35mm-introducing>> (Year: 2020).*

(Continued)

Primary Examiner — Katherine Glennon
(74) *Attorney, Agent, or Firm* — Taft Stettinius & Hollister LLP

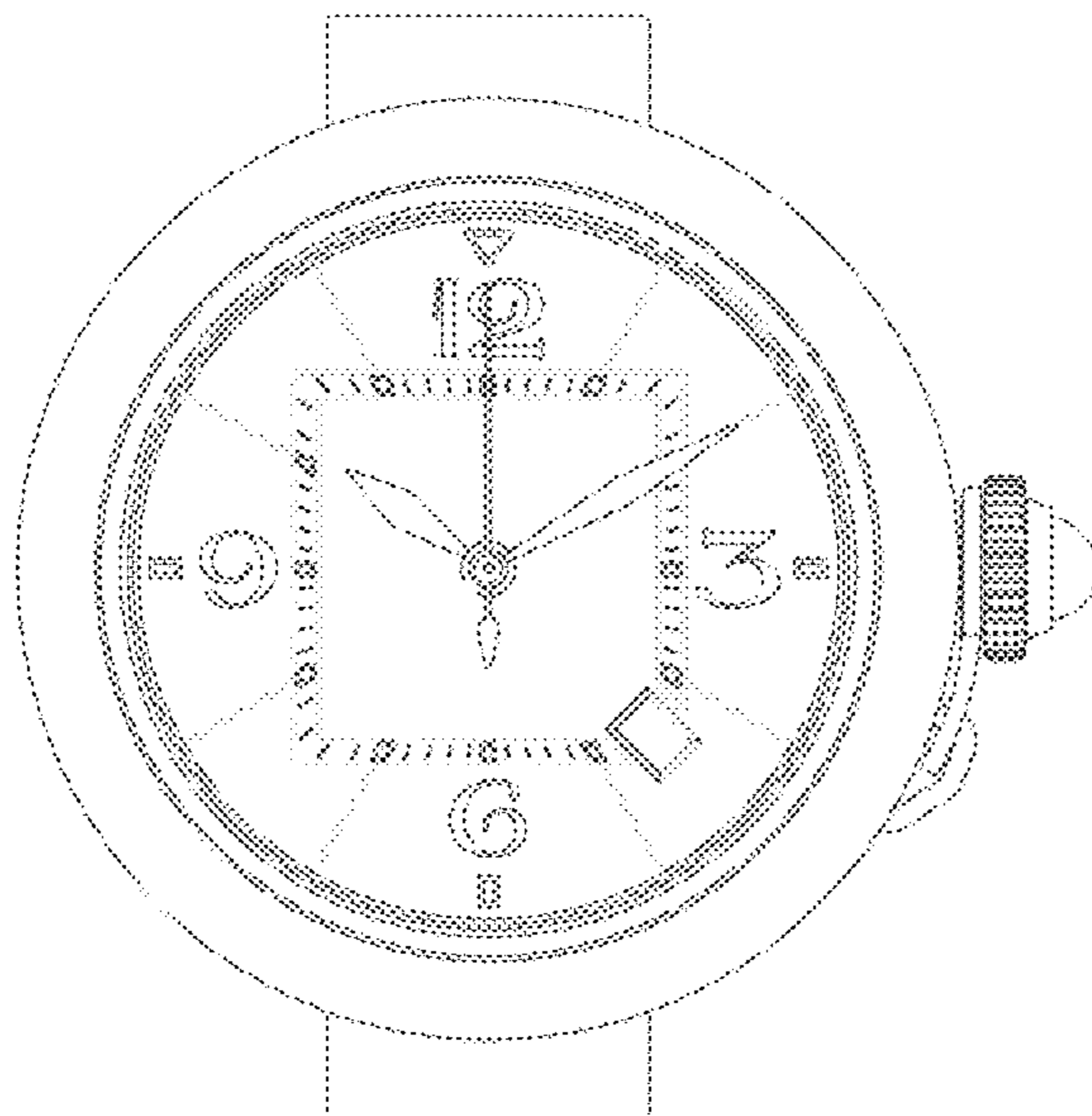
(57) **CLAIM**

The ornamental design for a watch, as shown and described.

DESCRIPTION

FIG. 1 is a front elevational view of a watch showing my new design;
FIG. 2 is a back elevational view thereof;
FIG. 3 is a top plan view thereof;
FIG. 4 is a bottom plan view thereof;
FIG. 5 is a left side elevational thereof;
FIG. 6 is a right side elevational view thereof;
FIG. 7 is a front, bottom, right side perspective view thereof;
and,
FIG. 8 is a back, bottom, left side perspective view thereof.

1 Claim, 8 Drawing Sheets



(56)

References Cited

U.S. PATENT DOCUMENTS

D871,236 S * 12/2019 Antifora D10/39
D873,155 S * 1/2020 Gimenez D10/39
D947,685 S * 4/2022 Gimenez D10/39

OTHER PUBLICATIONS

The 35-year Story of the Pasha de Cartier | revolutionwatch.com;
posted Jul. 27, 2020 [online]. © [retrieved Aug. 12, 2022] from
Internet: <<https://revolutionwatch.com/the-35-year-story-of-the-pasha-de-cartier/>> (Year: 2020).*

* cited by examiner

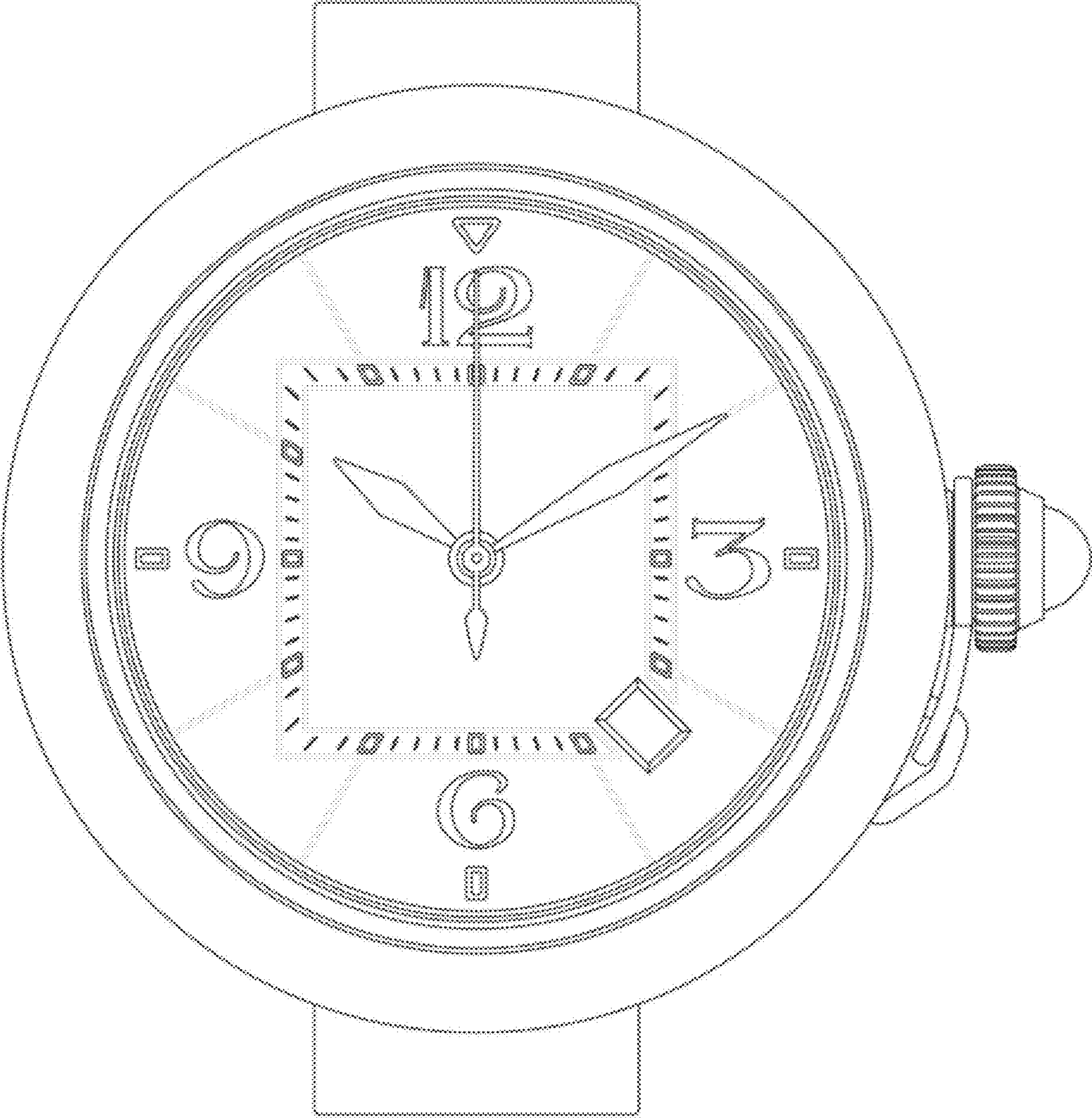


Fig. 1

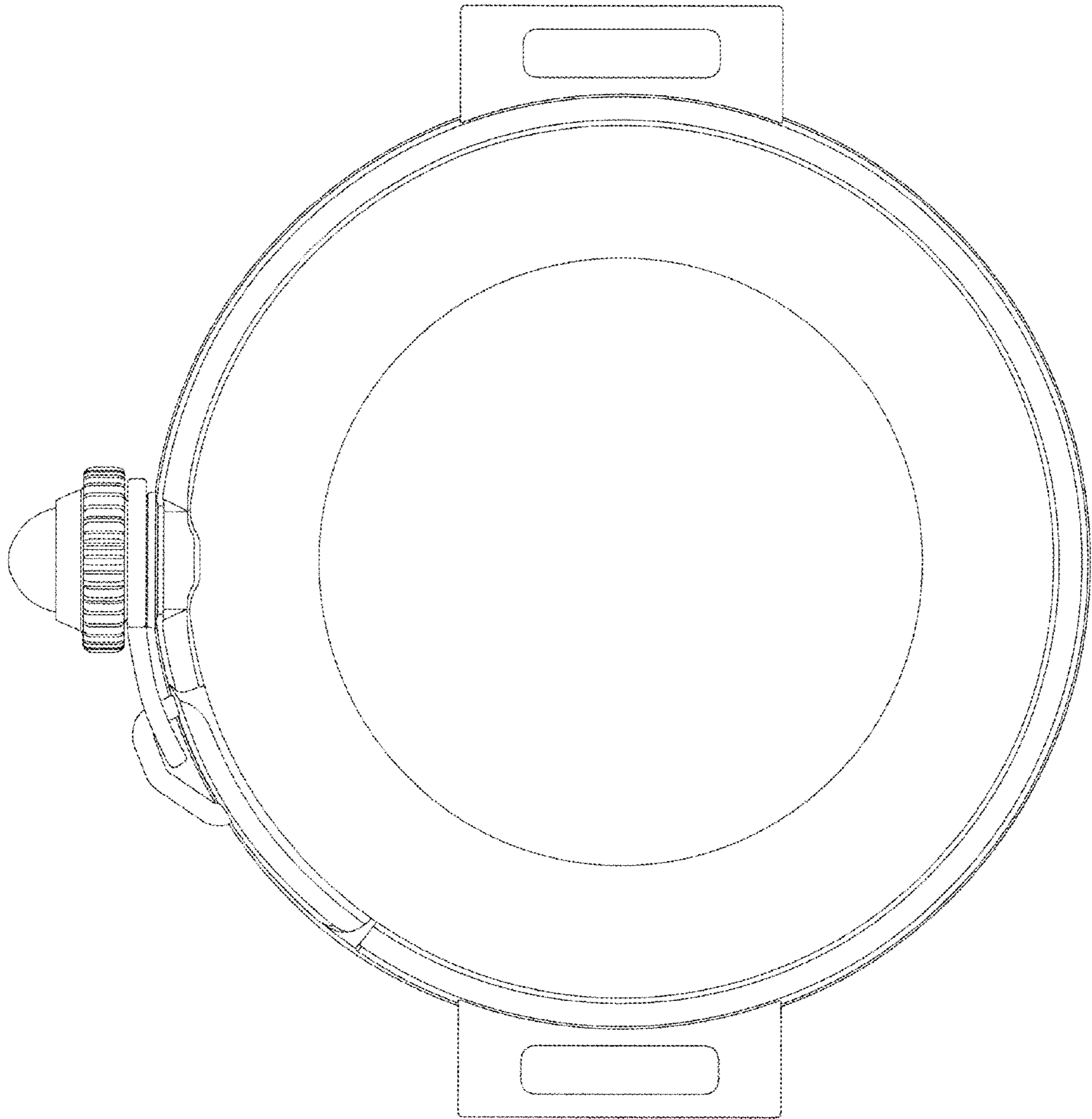


Fig. 2

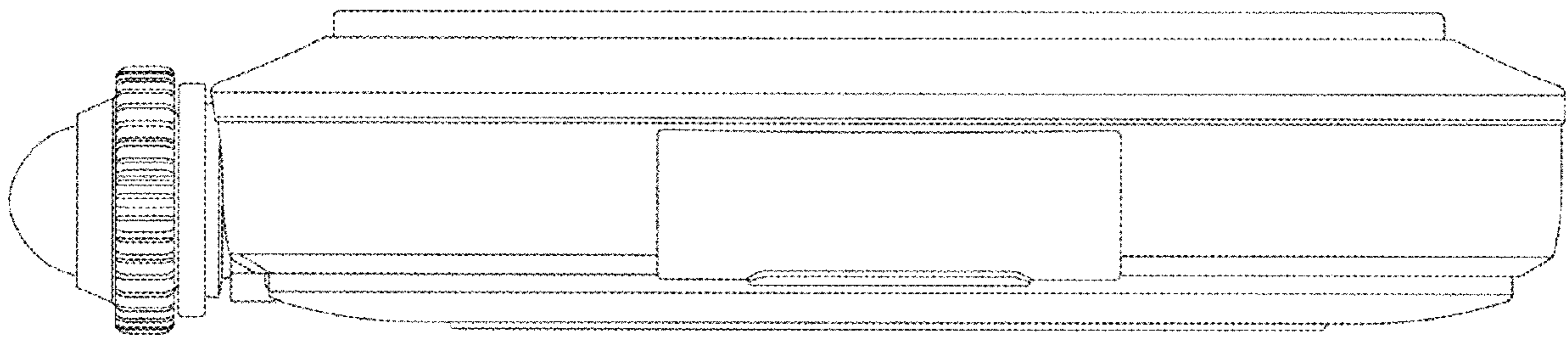


Fig. 3

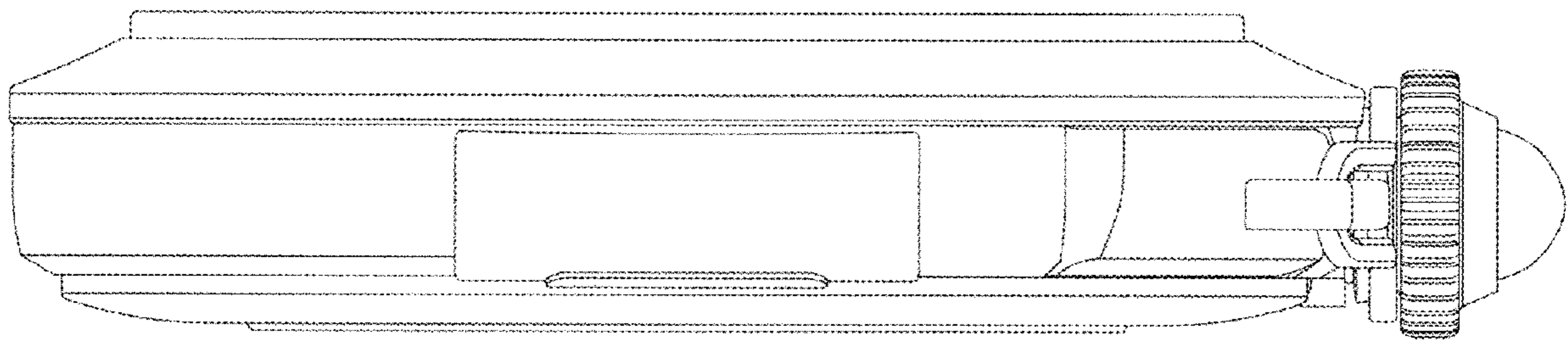


Fig. 4

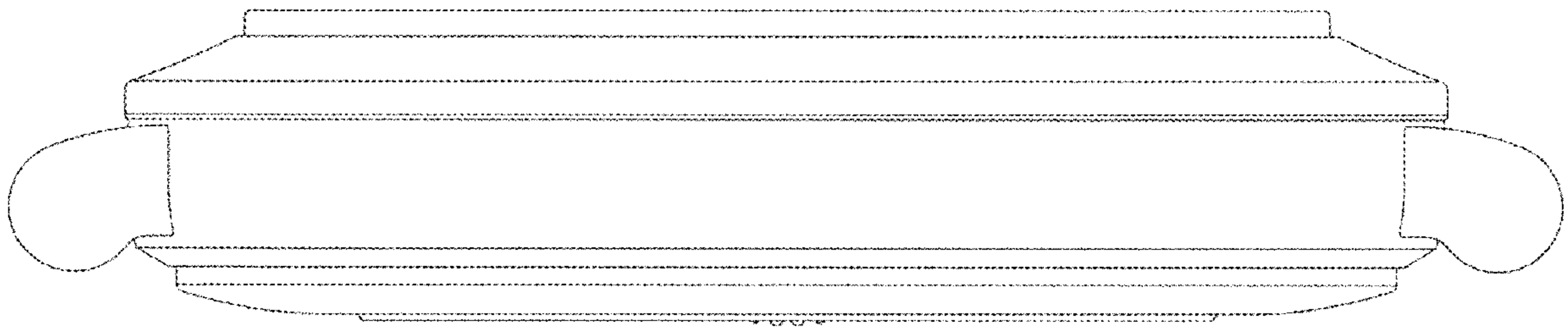


Fig. 5

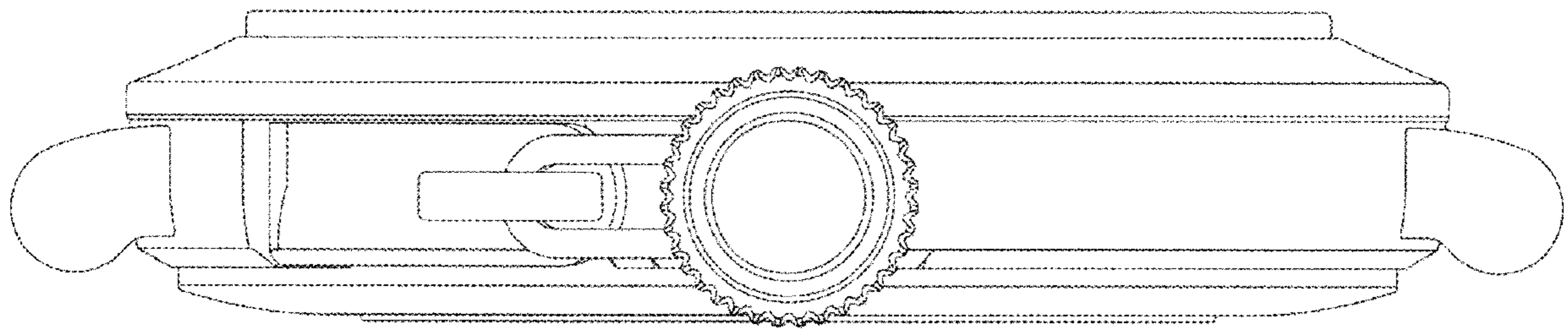


Fig. 6

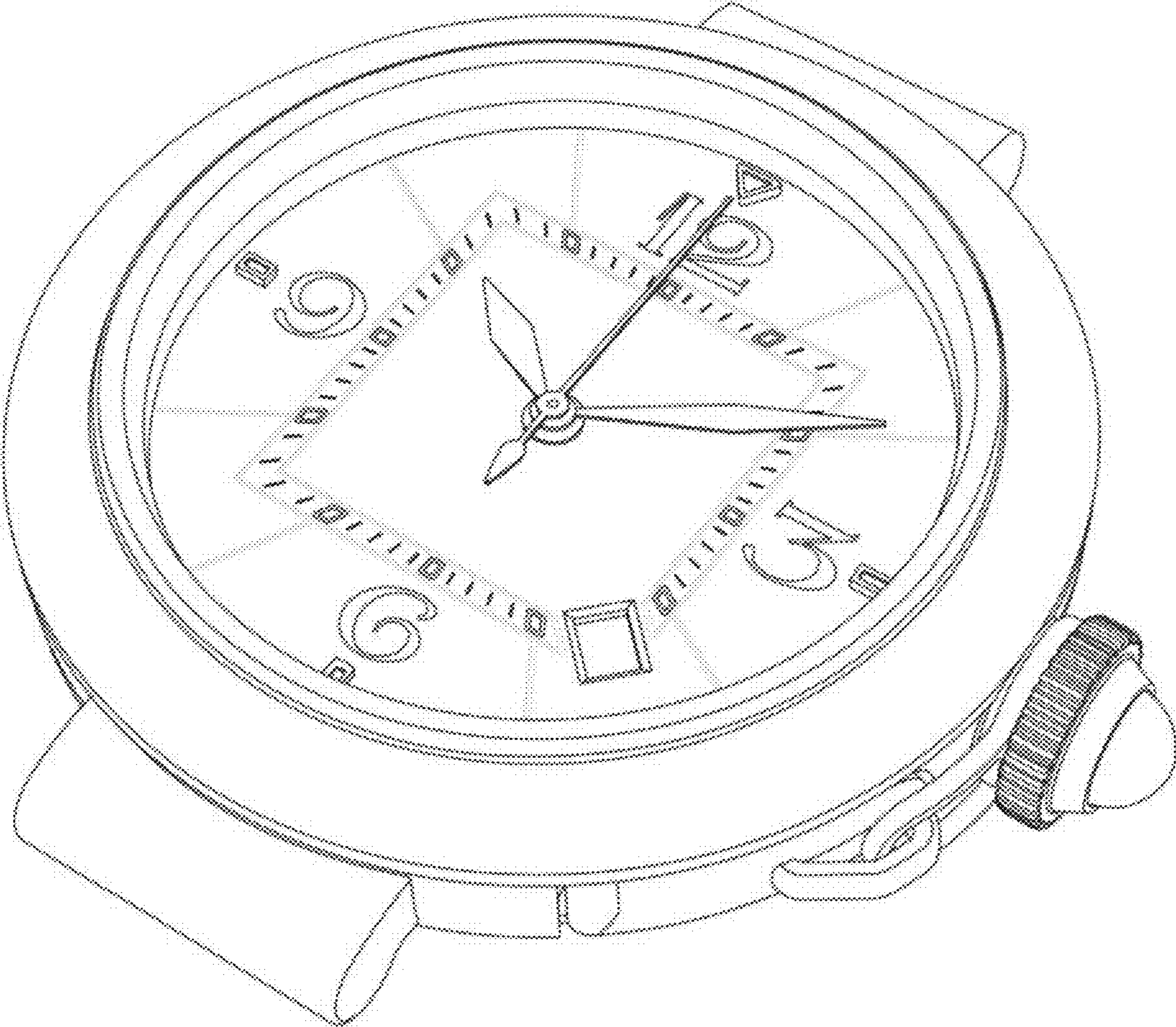


Fig. 7

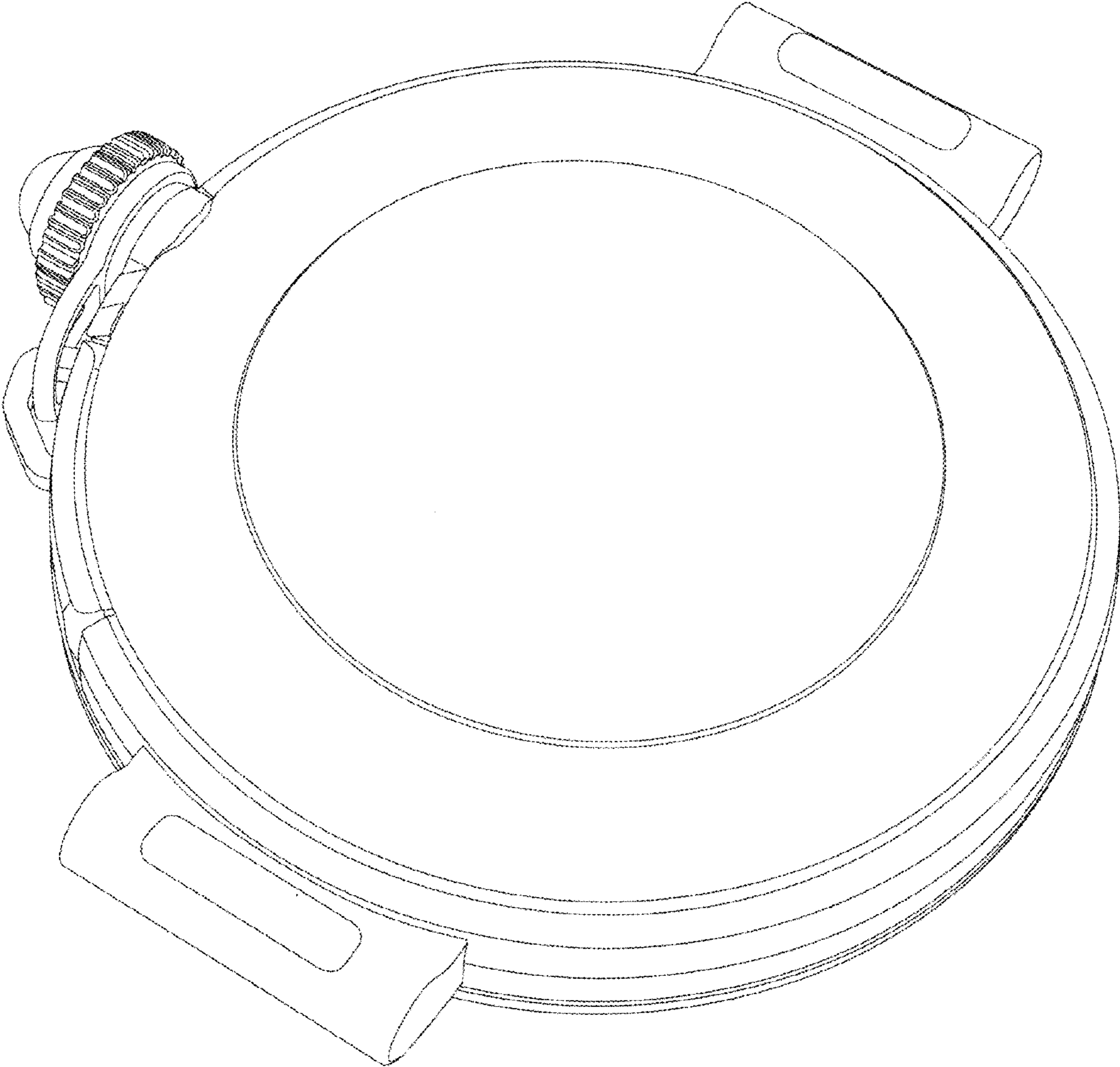


Fig. 8