



US00D988878S

(12) **United States Design Patent** (10) **Patent No.:** **US D988,878 S**  
**Ferretti et al.** (45) **Date of Patent:** **\*\* Jun. 13, 2023**

(54) **BOTTLE AND MOUNT ASSEMBLY**  
 (71) Applicant: **Marietta Corporation**, Cortland, NY (US)  
 (72) Inventors: **Raymond Agostino Ferretti**, Marstons Mills, MA (US); **Bryan Krueger**, Denver, CO (US)

4,650,095 A 3/1987 Fella et al.  
 4,673,109 A 6/1987 Cassia  
 4,874,113 A 10/1989 Schmidt  
 5,174,476 A 12/1992 Steiner et al.  
 5,209,377 A 5/1993 Steiner et al.  
 5,277,332 A 1/1994 Rogers  
 (Continued)

(73) Assignee: **Marietta Corporation**, Cortland, NY (US)

FOREIGN PATENT DOCUMENTS  
 DE 102010024081 A1 12/2011  
 DE 202018003327 U1 12/2018  
 RU 188298 U1 4/2019

(\*\*) Term: **15 Years**

(21) Appl. No.: **29/798,089**

(22) Filed: **Jul. 6, 2021**

(51) **LOC (14) Cl.** ..... **09-01**

(52) **U.S. Cl.**  
 USPC ..... **D9/719**; D6/542

(58) **Field of Classification Search**  
 USPC ..... D9/434, 447, 455, 456, 516, 517, 540,  
 D9/545, 562, 563, 567, 571, 575, 719;  
 D8/349; D6/542  
 CPC ..... A47K 2201/02; A47K 5/1209; A47K  
 2010/3233; A47K 5/1214; A47K  
 2201/025; A47K 5/00; A47K 10/10

See application file for complete search history.

(56) **References Cited**

U.S. PATENT DOCUMENTS

1,487,674 A 3/1924 Starbird  
 2,613,713 A 10/1952 Peebles  
 2,765,959 A 10/1956 Richard  
 D199,663 S 12/1964 Kuehner et al.  
 3,533,526 A 10/1970 Robert  
 3,540,630 A 11/1970 Richard et al.  
 4,166,553 A 9/1979 Fraterrigo  
 D262,246 S 12/1981 Hartinger  
 D272,139 S 1/1984 Boughton  
 4,461,445 A 7/1984 Williamson et al.

OTHER PUBLICATIONS

Copending U.S. Appl. No. 29/775,344, filed Mar. 23, 2021, by Caldwell, et al., entitled "Bottle, Mount Assembly, and Insert Tool".  
 (Continued)

*Primary Examiner* — Lauren R Calve  
 (74) *Attorney, Agent, or Firm* — Merchant & Gould P.C.; Daniel R. Evans

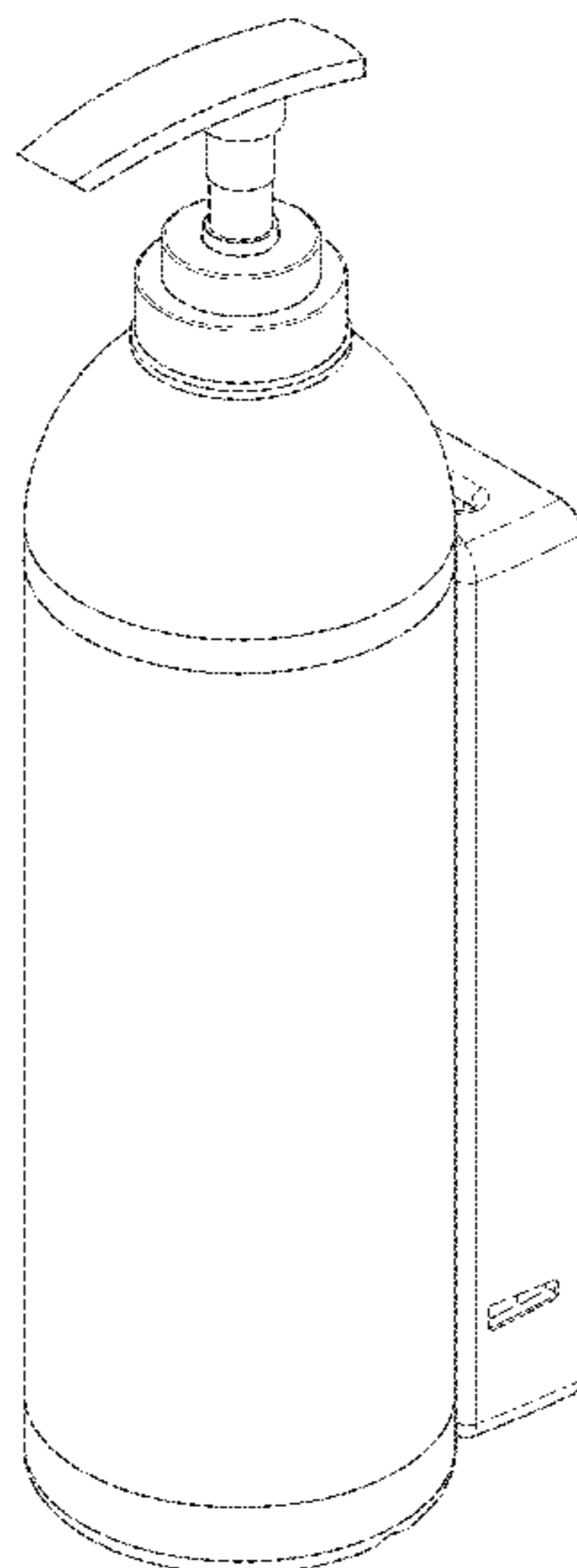
(57) **CLAIM**

The ornamental design for a bottle and mount assembly, as shown and described.

**DESCRIPTION**

FIG. 1 is a right, front-side perspective view of a bottle and mount assembly.  
 FIG. 2 is a left, rear-side perspective view thereof.  
 FIG. 3 is a front-side view thereof;  
 FIG. 4 is a rear-side view thereof.  
 FIG. 5 is a right-side view thereof.  
 FIG. 6 is a left-side view thereof.  
 FIG. 7 is a top plan view thereof; and,  
 FIG. 8 is a bottom plan view thereof.  
 The broken lines shown represent portions of the bottle and mount assembly that form no part of the claimed design.

**1 Claim, 8 Drawing Sheets**



(56)

References Cited

U.S. PATENT DOCUMENTS

D347,538 S 6/1994 Fleischer  
 5,413,251 A 5/1995 Adamson  
 5,433,416 A 7/1995 Johnson  
 5,449,137 A 9/1995 Bell et al.  
 5,632,418 A 5/1997 Brown  
 D391,430 S 3/1998 Schmidt  
 5,954,229 A 9/1999 Scholey et al.  
 5,975,372 A 11/1999 Heyn  
 5,992,698 A 11/1999 Copeland et al.  
 6,041,974 A 3/2000 Poitras et al.  
 6,092,694 A 7/2000 Sadow  
 6,209,184 B1 4/2001 Copeland et al.  
 D441,998 S 5/2001 Kauzlarich et al.  
 6,318,600 B1\* 11/2001 Winnett ..... B65D 83/386  
 222/402.1  
 6,321,943 B1 11/2001 Strickler et al.  
 D454,017 S\* 3/2002 Kauzlarich ..... D6/545  
 6,543,651 B2 4/2003 Lewis et al.  
 D475,232 S\* 6/2003 Kane ..... D6/553  
 6,575,334 B2 6/2003 Lewis et al.  
 6,575,335 B2 6/2003 Lewis et al.  
 6,648,179 B2 11/2003 Lewis et al.  
 6,805,264 B2 10/2004 Houvras  
 6,820,770 B2 11/2004 Makino et al.  
 D500,222 S 12/2004 Haas  
 6,962,272 B2 11/2005 Leblond  
 D533,742 S 12/2006 Matthews et al.  
 7,270,250 B2 9/2007 Jones et al.  
 7,290,683 B2 11/2007 Gerenraich  
 7,798,369 B2 9/2010 Dphardt  
 D625,132 S 10/2010 Schmidt et al.  
 8,011,071 B2\* 9/2011 O'Brien ..... A61M 16/1075  
 248/221.11  
 8,272,611 B2\* 9/2012 Schmidt ..... A47K 5/12  
 248/312.1  
 8,479,956 B2 7/2013 Lewis, Ii et al.  
 8,833,596 B2 9/2014 Sanguinet et al.  
 8,893,929 B2 11/2014 Geiberger  
 D773,850 S 12/2016 Schalitz et al.  
 D809,845 S\* 2/2018 Marchitello ..... D6/545  
 10,039,423 B2 8/2018 Schultz et al.  
 D828,888 S\* 9/2018 Macari ..... D9/719  
 10,321,790 B2\* 6/2019 Schalitz ..... B05B 11/00442  
 10,342,391 B2 7/2019 Beckerman  
 D866,282 S 11/2019 Ozeki et al.  
 10,527,224 B1 1/2020 Park  
 D905,466 S\* 12/2020 Rossi ..... D6/545

D906,007 S 12/2020 Rossi  
 D918,017 S\* 5/2021 Park ..... D8/349  
 11,174,147 B2\* 11/2021 Mitsuata ..... B67D 1/1405  
 11,332,279 B2\* 5/2022 Lowance ..... B65D 23/003  
 D955,779 S 6/2022 Carvalho De Oliveira  
 2006/0086876 A1\* 4/2006 Heerdt ..... A62C 13/78  
 248/311.2  
 2006/0171857 A1\* 8/2006 Stead ..... B01L 3/502715  
 422/400  
 2007/0257058 A1 11/2007 Ophardt et al.  
 2008/0023490 A1 1/2008 Gerenraich  
 2011/0024585 A1\* 2/2011 Brinkdopke ..... A47K 10/32  
 248/217.4  
 2012/0111890 A1 5/2012 Herring et al.  
 2012/0181405 A1 7/2012 Zlatic et al.  
 2013/0092708 A1\* 4/2013 Geiberger ..... A47K 5/122  
 222/181.3  
 2013/0264925 A1\* 10/2013 Kling ..... A47K 10/32  
 312/293.3  
 2014/0158714 A1 6/2014 Snodgrass et al.  
 2016/0288151 A1 10/2016 Schultz et al.  
 2017/0020348 A1 1/2017 Schalitz et al.  
 2020/0399935 A1\* 12/2020 Carr, Jr. ..... A47K 3/281  
 2021/0321830 A1\* 10/2021 Kilic ..... A47K 5/1205  
 2022/0000320 A1\* 1/2022 Marinelli ..... F16B 21/065  
 2022/0167802 A1\* 6/2022 Bing ..... A47K 5/1205  
 2022/0192435 A1\* 6/2022 Bing ..... A47K 5/1205  
 2022/0225845 A1\* 7/2022 Steinmetz ..... F16B 2/10

OTHER PUBLICATIONS

Copending U.S. Appl. No. 29/708,088, filed Oct. 3, 2019, by Caldwell, et al., entitled "Bottle, Wall-Mount, and InsertTool".  
 EcoEclipse—Triple Dispenser Bottle, announced in YouTube on date Jul. 20, 2018, [site visited Jul. 28, 2022, Available from the internet URL: <https://www.youtube.com/watch?v=Eum6HZA6sQQ> (2018).  
 BGL Soap Dispenser. Date first available: Sep. 10, 2019. Site visited: Jul. 28, 2022. Available online: [https://www.amazon.com/Dispenser-Stainless-Foaming-Holder-Bathroom/dp/B07PLPGRH6?ref=ast\\_sto\\_dp&th=1&psc=1](https://www.amazon.com/Dispenser-Stainless-Foaming-Holder-Bathroom/dp/B07PLPGRH6?ref=ast_sto_dp&th=1&psc=1) (2019).  
 Soap Dispenser, Wall Mounted. Date first available: Oct. 6, 2021. Site visited: Jul. 28, 2022. Available online: [https://www.amazon.com/HAOJAJ-U-Dispenser-Pressing-Marketplace-Transparent/dp/B09HTT1M4L/ref=sr\\_1\\_1](https://www.amazon.com/HAOJAJ-U-Dispenser-Pressing-Marketplace-Transparent/dp/B09HTT1M4L/ref=sr_1_1) (2021).  
 Ex Parte Quayle Action dated Aug. 18, 2022 issued in related U.S. Appl. No. 29/775,344 (16 pages).

\* cited by examiner

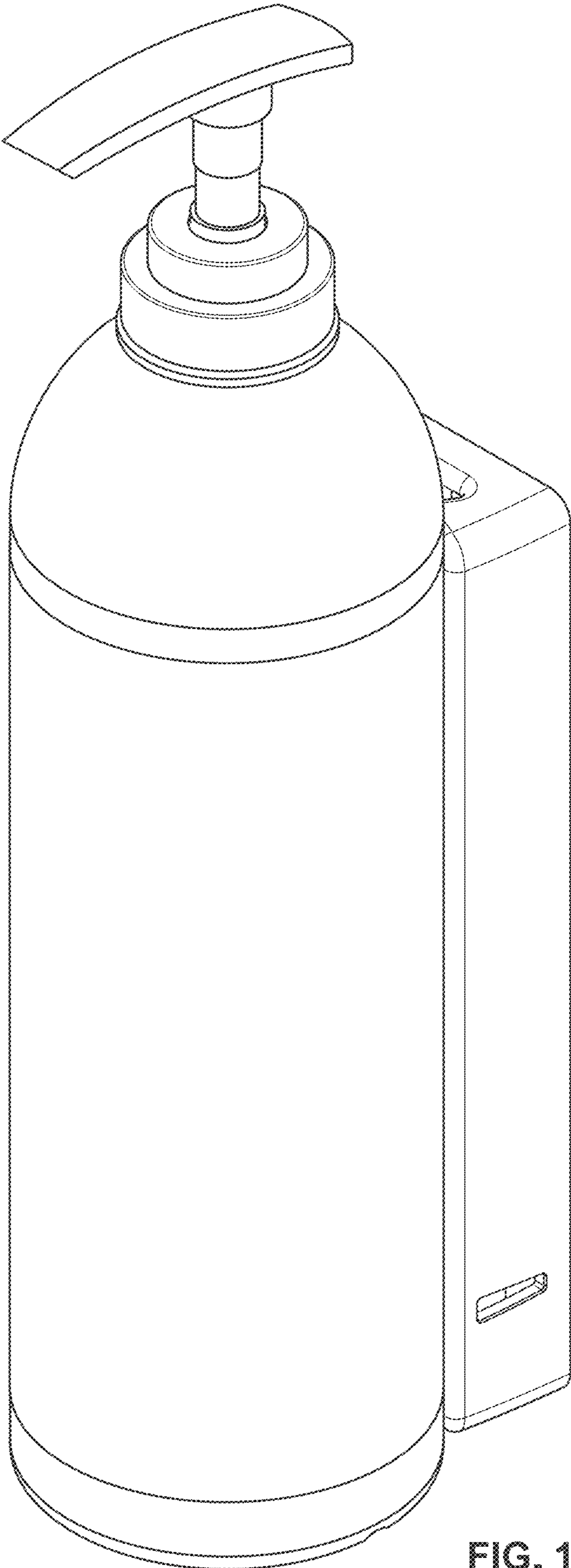


FIG. 1



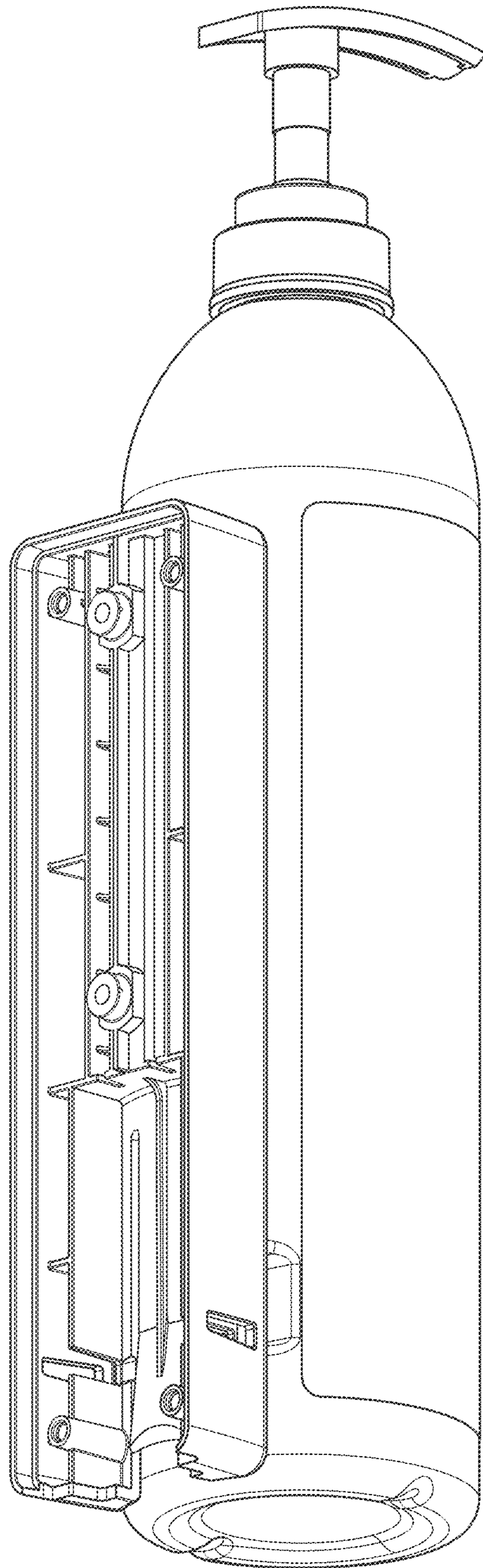


FIG. 2

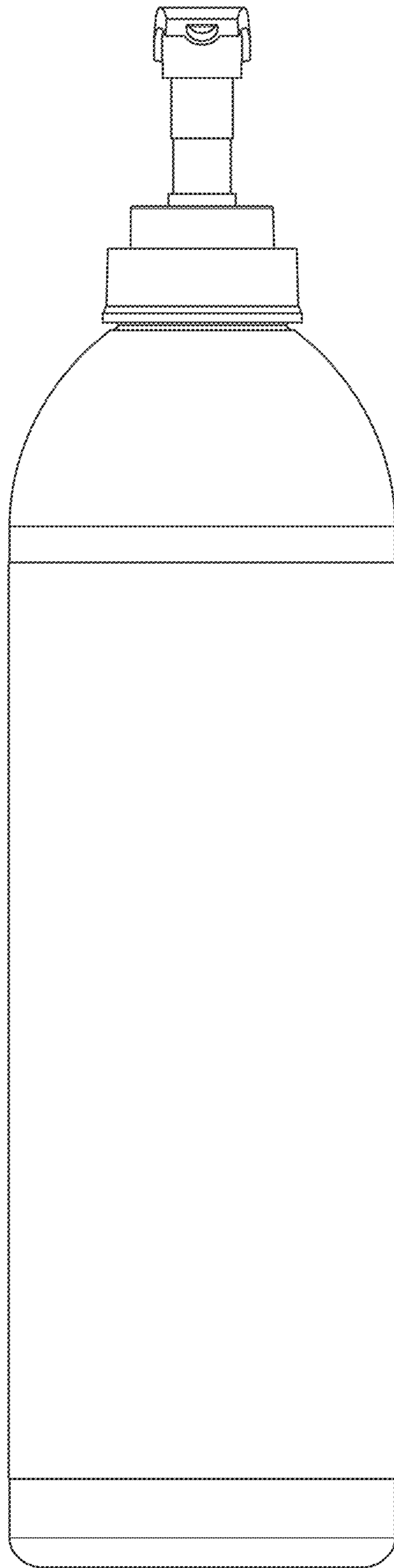


FIG. 3

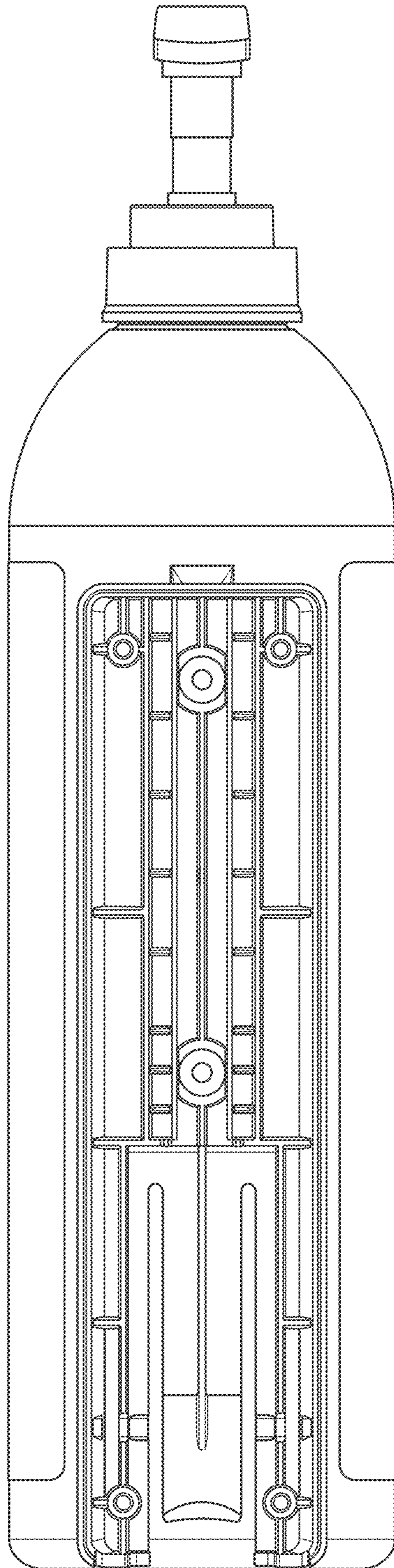


FIG. 4

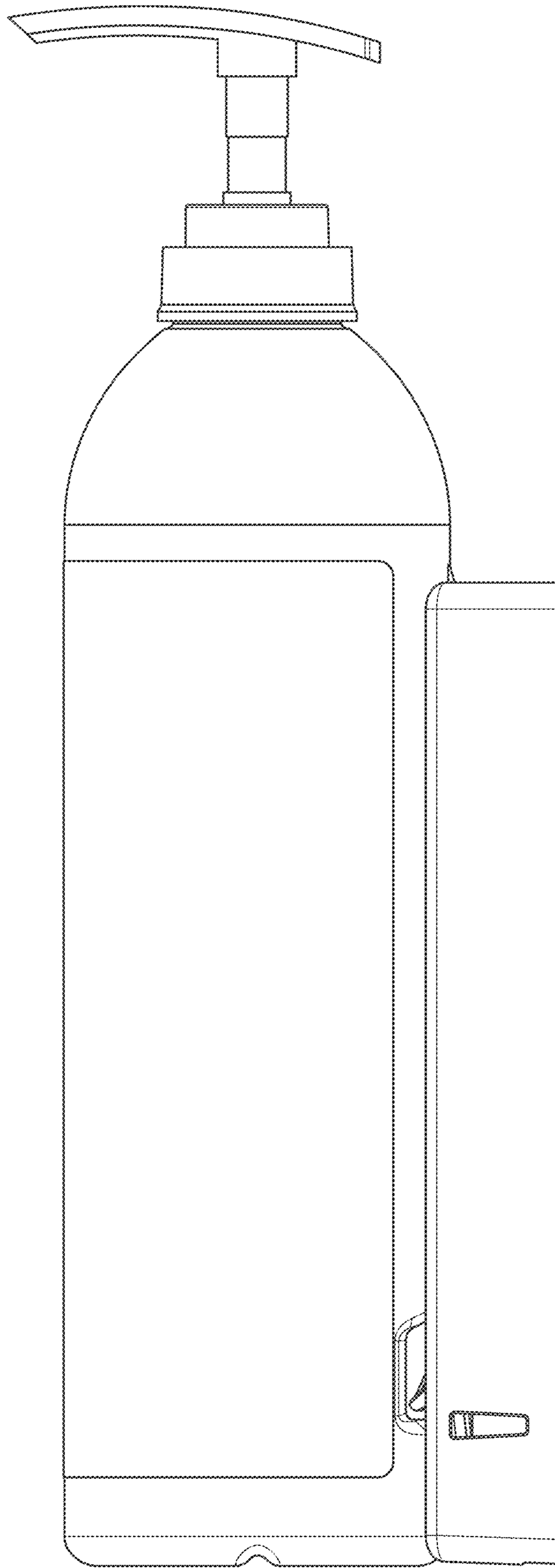


FIG. 5



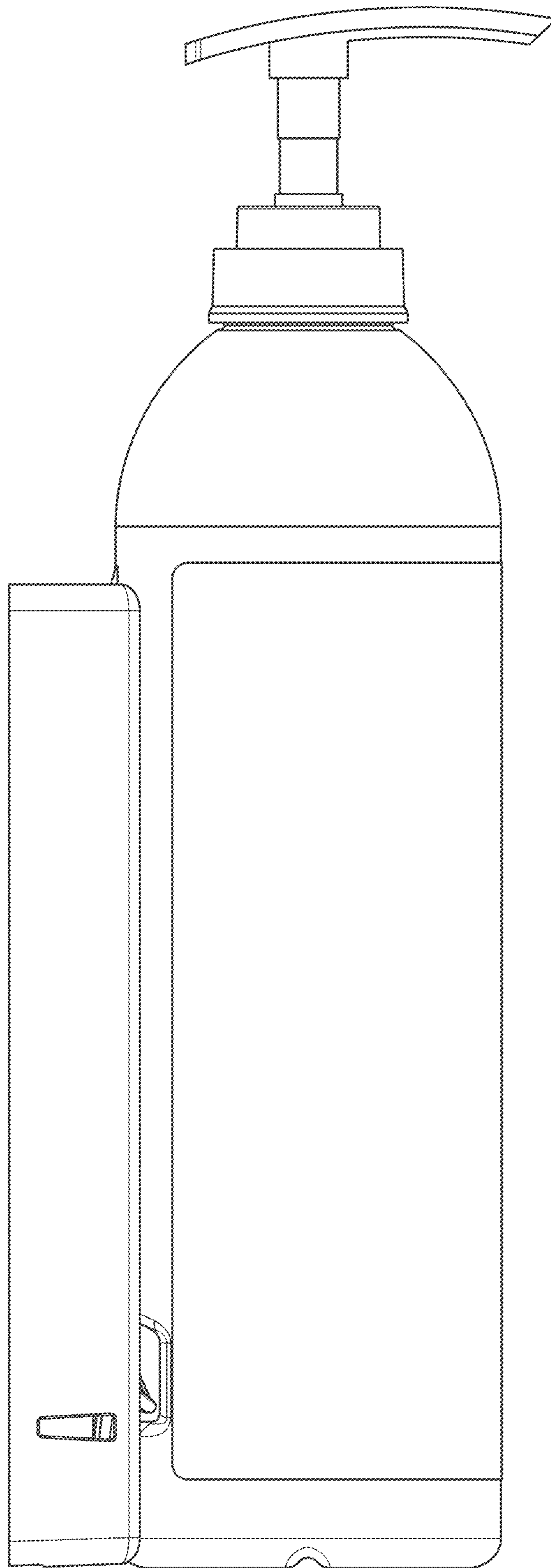


FIG. 6



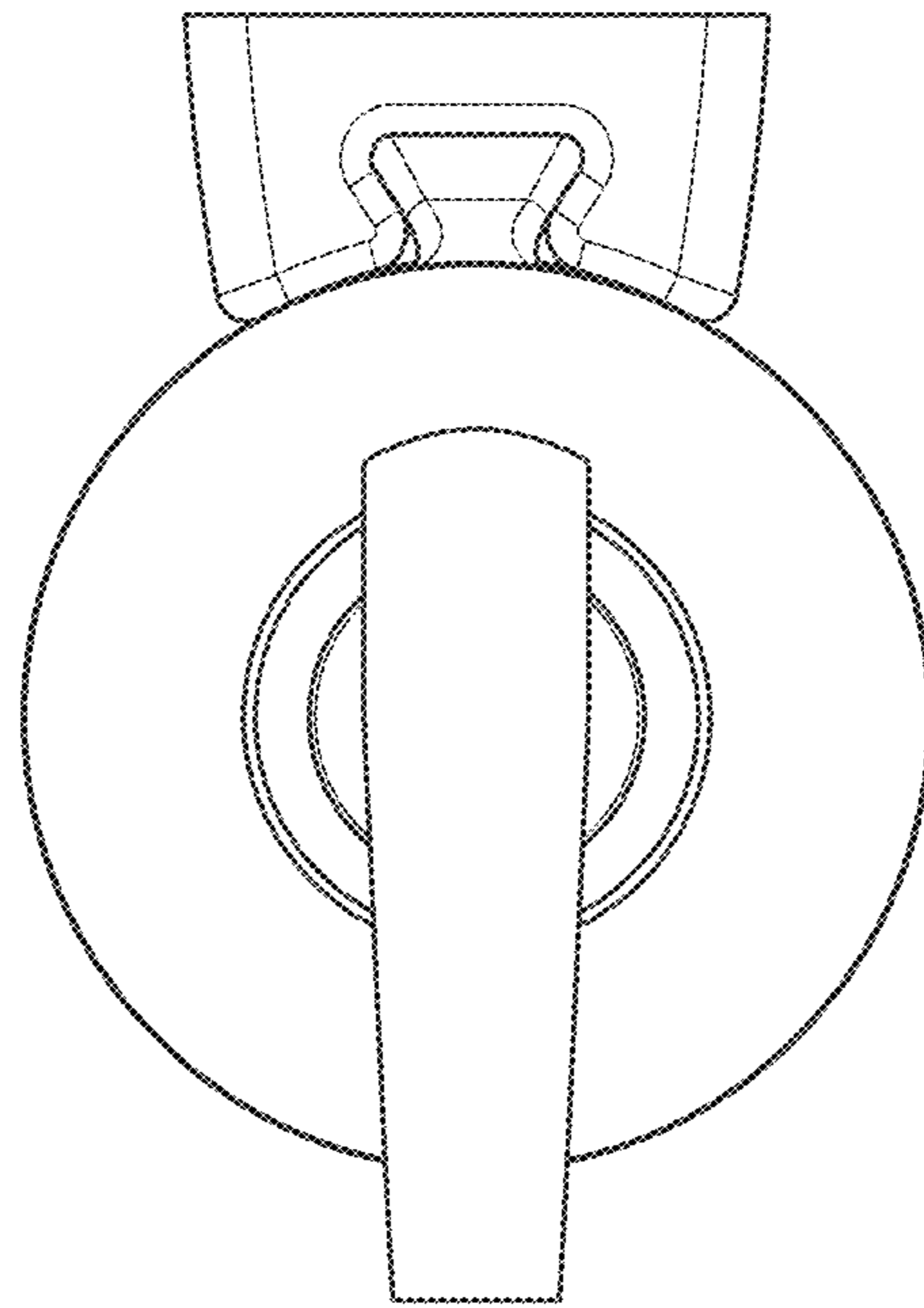


FIG. 7

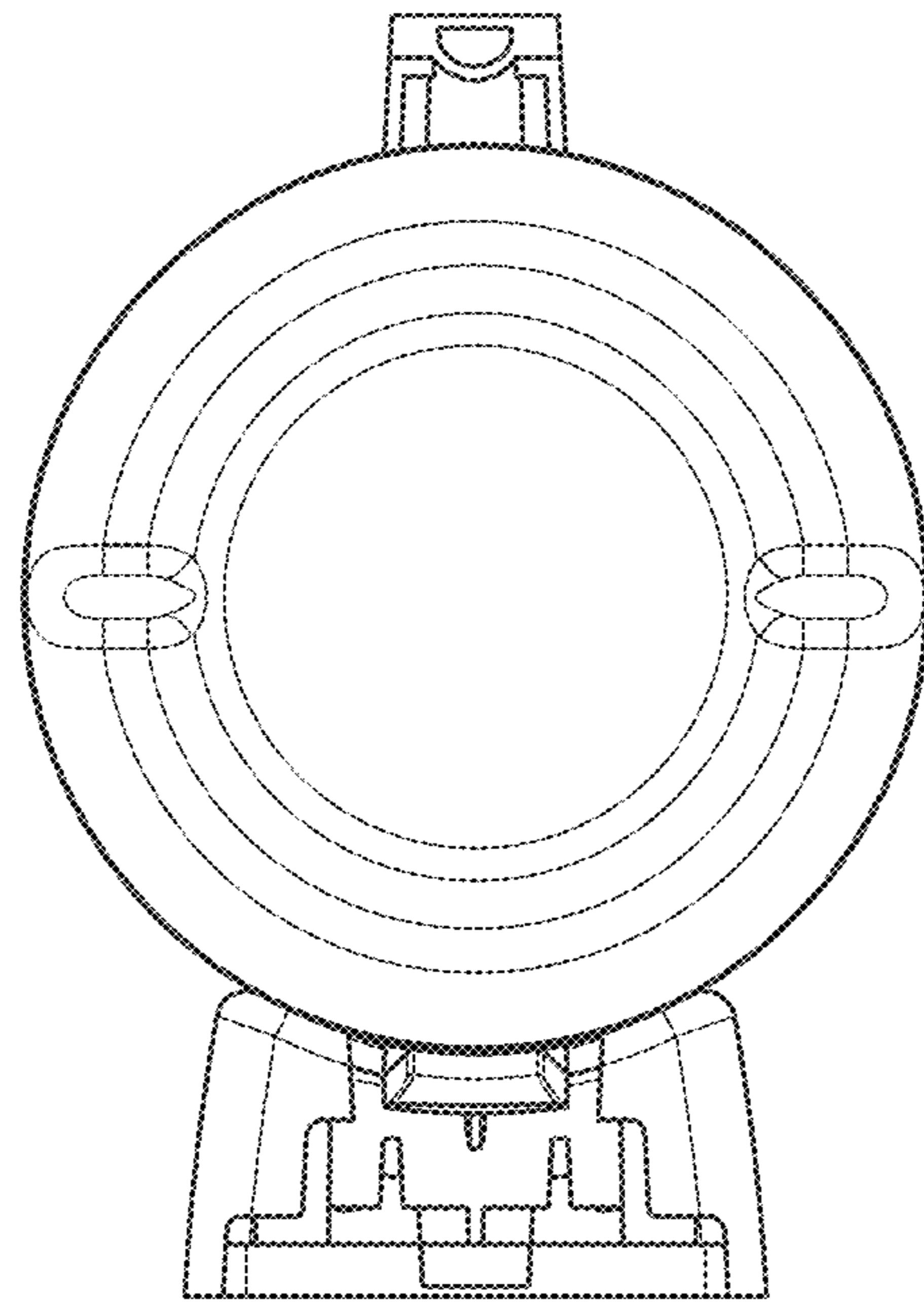


FIG. 8

UNITED STATES PATENT AND TRADEMARK OFFICE  
**CERTIFICATE OF CORRECTION**

PATENT NO. : D988,878 S  
APPLICATION NO. : 29/798089  
DATED : June 13, 2023  
INVENTOR(S) : Raymond Agostino Ferretti and Bryan Krueger


Page 1 of 1

It is certified that error appears in the above-identified patent and that said Letters Patent is hereby corrected as shown below:

On the Title Page

Column 2, Line 1 Item (56) (U.S. Patent Documents) “Fella et al.” should read “Tella et al.”

Page 2, Column 2, Line 8 Item (56) (Other Publications) “www amazon.com” should read  
“www.amazon.com”

Signed and Sealed this  
Third Day of October, 2023  
  
Katherine Kelly Vidal  
Director of the United States Patent and Trademark Office