



US00D988875S

(12) **United States Design Patent**  
**Sundberg**

(10) **Patent No.:** **US D988,875 S**  
(45) **Date of Patent:** **\*\* Jun. 13, 2023**

(54) **ORAL STICK PACK WITH CAPSULE**

(71) Applicant: **KAPZ AB**, Helsingborg (SE)

(72) Inventor: **Johanna Sundberg**, Sundbyberg (SE)

(73) Assignee: **KAPZ AB**, Helsingborg (SE)

(\*\*) Term: **15 Years**

(21) Appl. No.: **29/806,891**

(22) Filed: **Sep. 7, 2021**

(30) **Foreign Application Priority Data**

Mar. 8, 2021	(EM)	008455885-0001
Mar. 8, 2021	(EM)	008455885-0002
Mar. 8, 2021	(EM)	008455885-0003
Mar. 8, 2021	(EM)	008455885-0004
Mar. 8, 2021	(EM)	008455885-0005

(Continued)

(51) **LOC (14) Cl.** ..... **09-05**

(52) **U.S. Cl.**  
USPC ..... **D9/709**

(58) **Field of Classification Search**  
USPC ..... D9/702-714, 720-722, 416-417,  
D9/695-696; D24/118-119, 207;

(Continued)

(56) **References Cited**

**U.S. PATENT DOCUMENTS**

D496,263 S *	9/2004	Chen	.....	D9/703
D869,958 S *	12/2019	Dupuy Donzet	.....	D9/703

(Continued)

*Primary Examiner* — Abraham Bahta

(74) *Attorney, Agent, or Firm* — Fox Rothschild LLP

(57) **CLAIM**

The ornamental design for an oral stick pack with capsule, as shown and described.

**DESCRIPTION**

FIG. 1 is a front perspective view of an oral stick pack with capsule according to the present disclosure;

FIG. 2 is a front view thereof;

FIG. 3 is a back view thereof;

FIG. 4 is a left side view thereof;

FIG. 5 is a right side view thereof;

FIG. 6 is a top view thereof; and

FIG. 7 is a bottom view thereof.

FIG. 8 is a front perspective view of a second embodiment of an oral stick pack with capsule according to the present disclosure; and

FIG. 9 is a front view thereof.

FIG. 10 is a front perspective view of a third embodiment of an oral stick pack with capsule according to the present disclosure; and

FIG. 11 is a front view thereof.

FIG. 12 is a front perspective view of a fourth embodiment of an oral stick pack with capsule according to the present disclosure; and

FIG. 13 is a front view thereof.

FIG. 14 is a front perspective view of a fifth embodiment of an oral stick pack with capsule according to the present disclosure; and

FIG. 15 is a front view thereof.

FIG. 16 is a front perspective view of a sixth embodiment of an oral stick pack with capsule according to the present disclosure; and

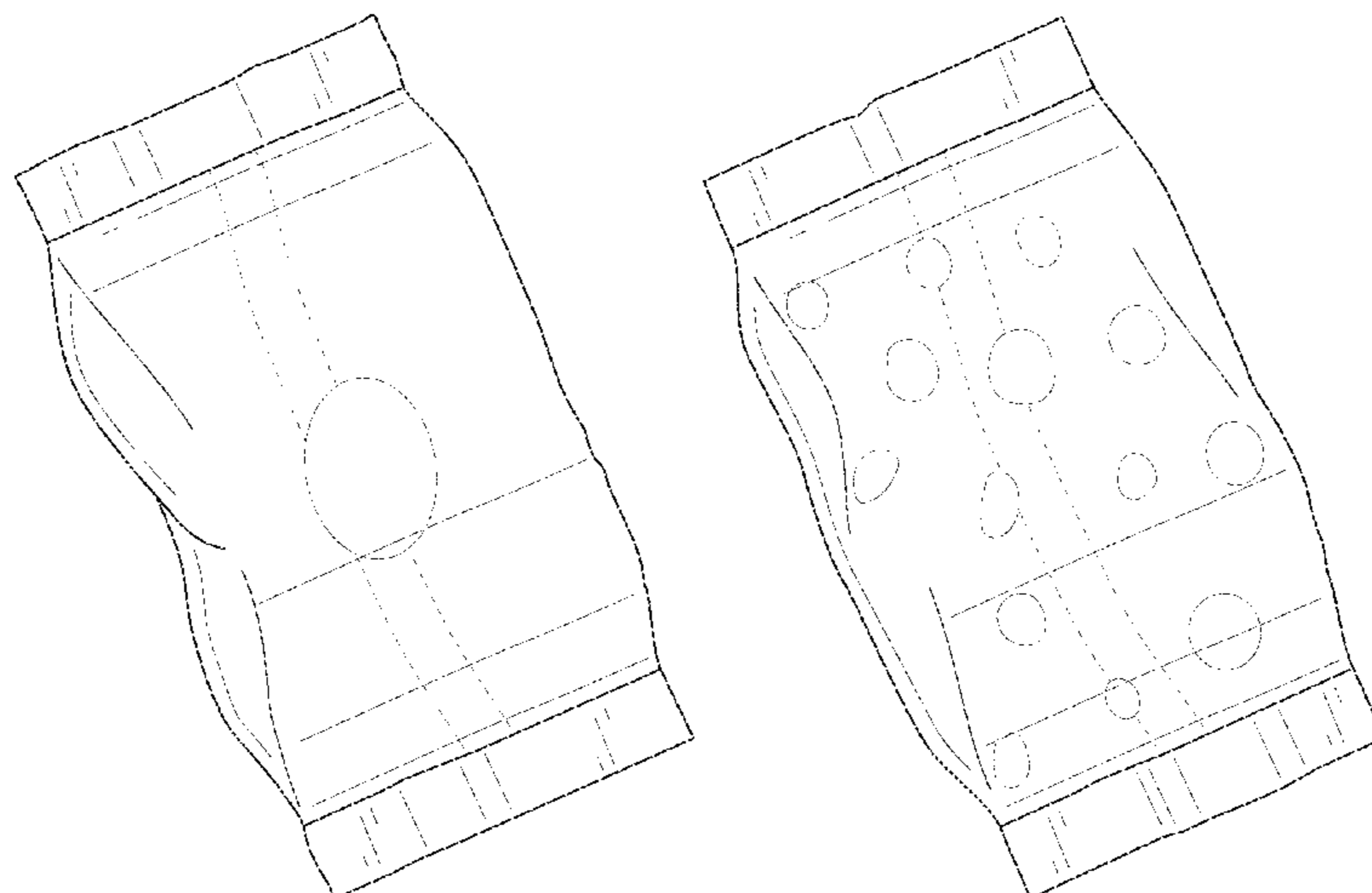
FIG. 17 is a front view thereof.

FIG. 18 is a front perspective view of a seventh embodiment of an oral stick pack with capsule according to the present disclosure; and,

FIG. 19 is a front view thereof.

In the drawings, the broken lines in the drawings illustrate environmental subject matter and form no part of the claimed design.

**1 Claim, 10 Drawing Sheets**



(30) **Foreign Application Priority Data**

Mar. 8, 2021 (EM) ..... 008455885-0006  
Mar. 8, 2021 (EM) ..... 008455885-0007

(58) **Field of Classification Search**

USPC ..... 219/727; D3/201, 232, 240, 245;  
150/107  
CPC ..... B65D 33/25; B65D 33/06; B65D 33/065;  
B65D 33/14; B65D 33/1683; B65D  
33/12; B65D 11/00; B65D 11/18; B65D  
11/10; B65D 17/00; B65D 17/16; B65D  
17/161; B65D 17/163; B65D 17/20;  
B65D 31/10; B65D 1/00; B65D 1/02;  
B65D 1/09; B65D 1/10; B65D 1/32;  
B65D 1/0223; B65F 1/006; B65F 1/062;  
B65F 1/1415

See application file for complete search history.

(56) **References Cited**

U.S. PATENT DOCUMENTS

D905,565 S \* 12/2020 Sharpe ..... D9/703  
D906,123 S \* 12/2020 Dupuy Donzet ..... D9/703  
D926,591 S \* 8/2021 Rana ..... D9/707  
D954,560 S \* 6/2022 Karlsson ..... D9/707

\* cited by examiner

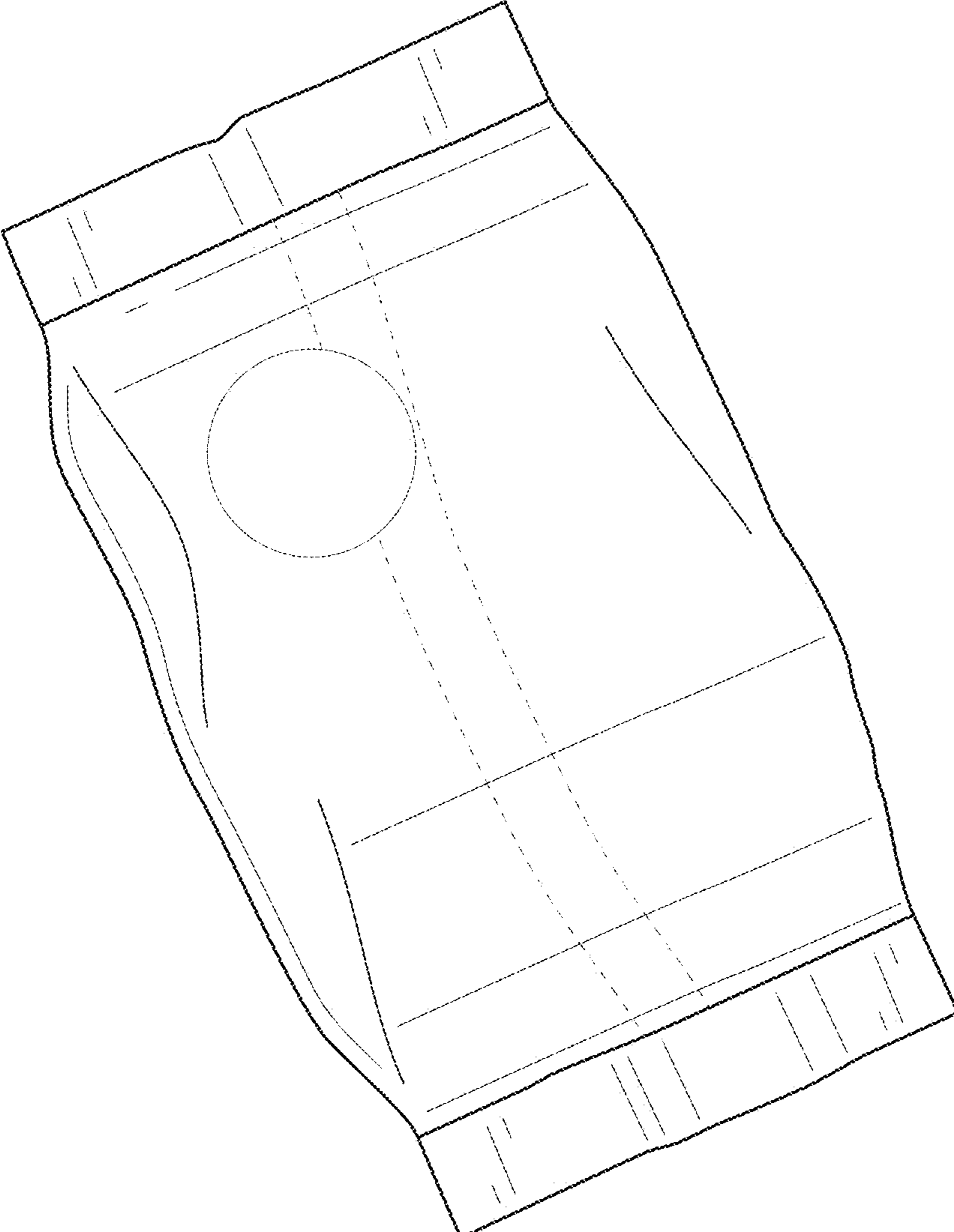


FIG. 1

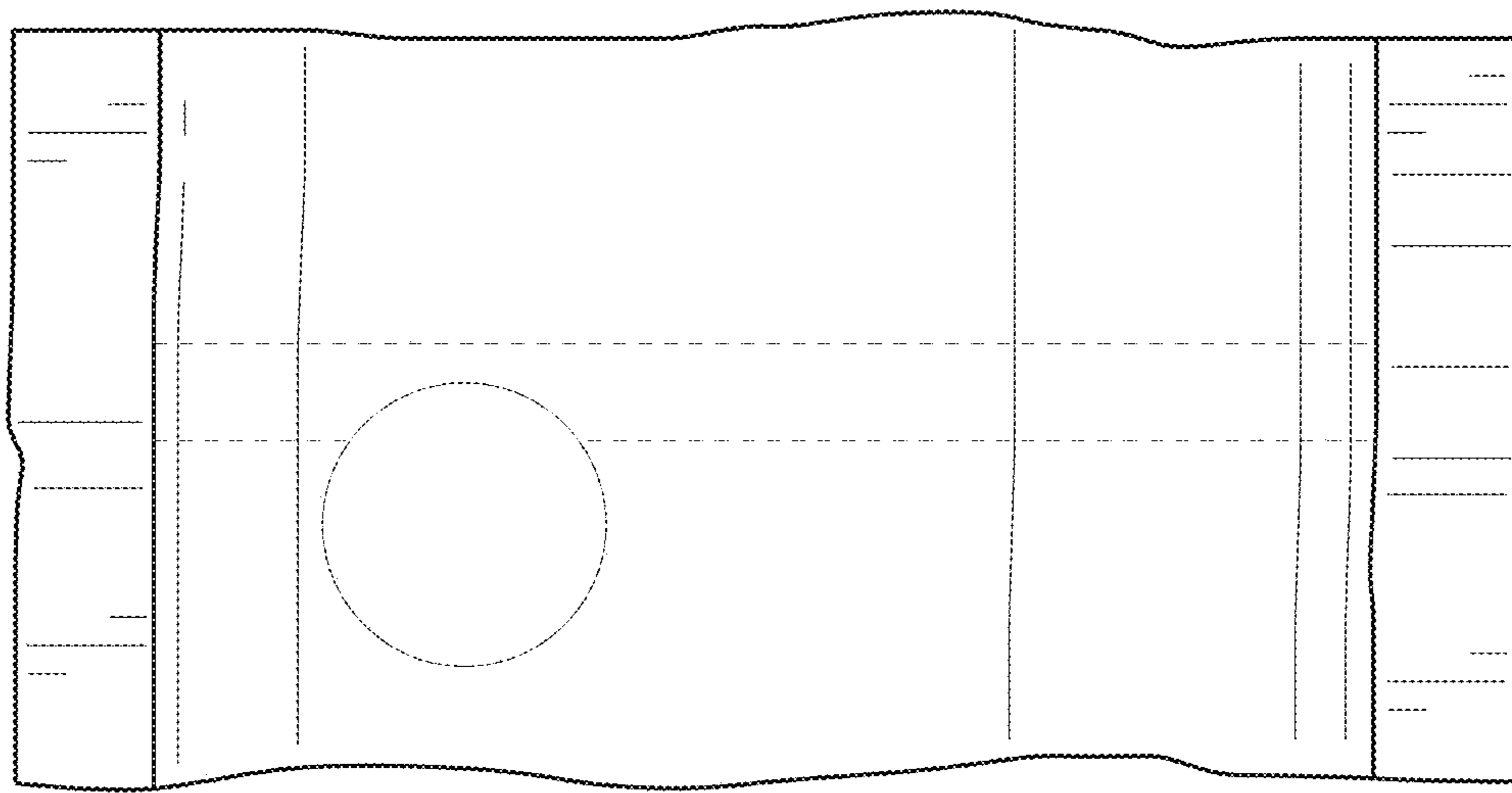


FIG. 2

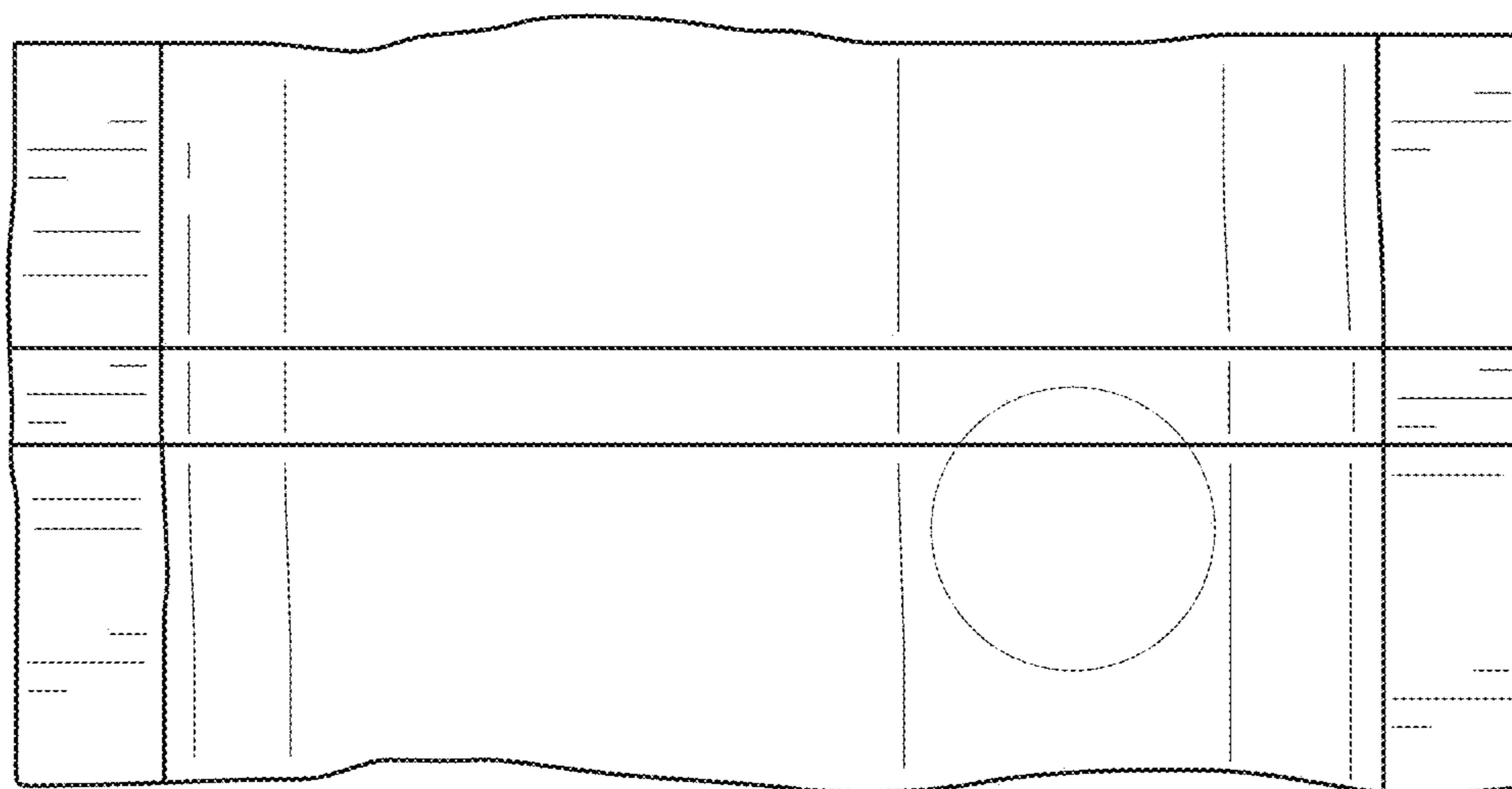


FIG. 3

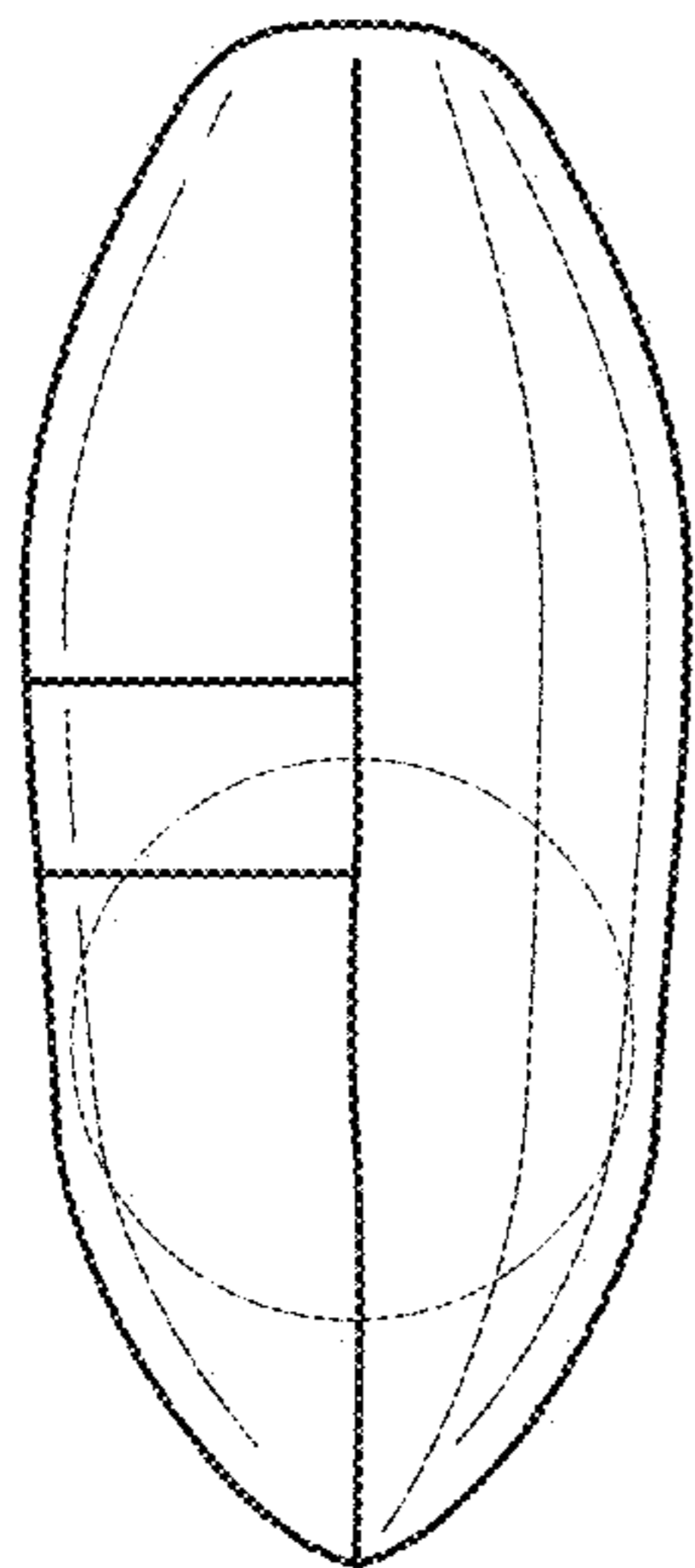


FIG. 4

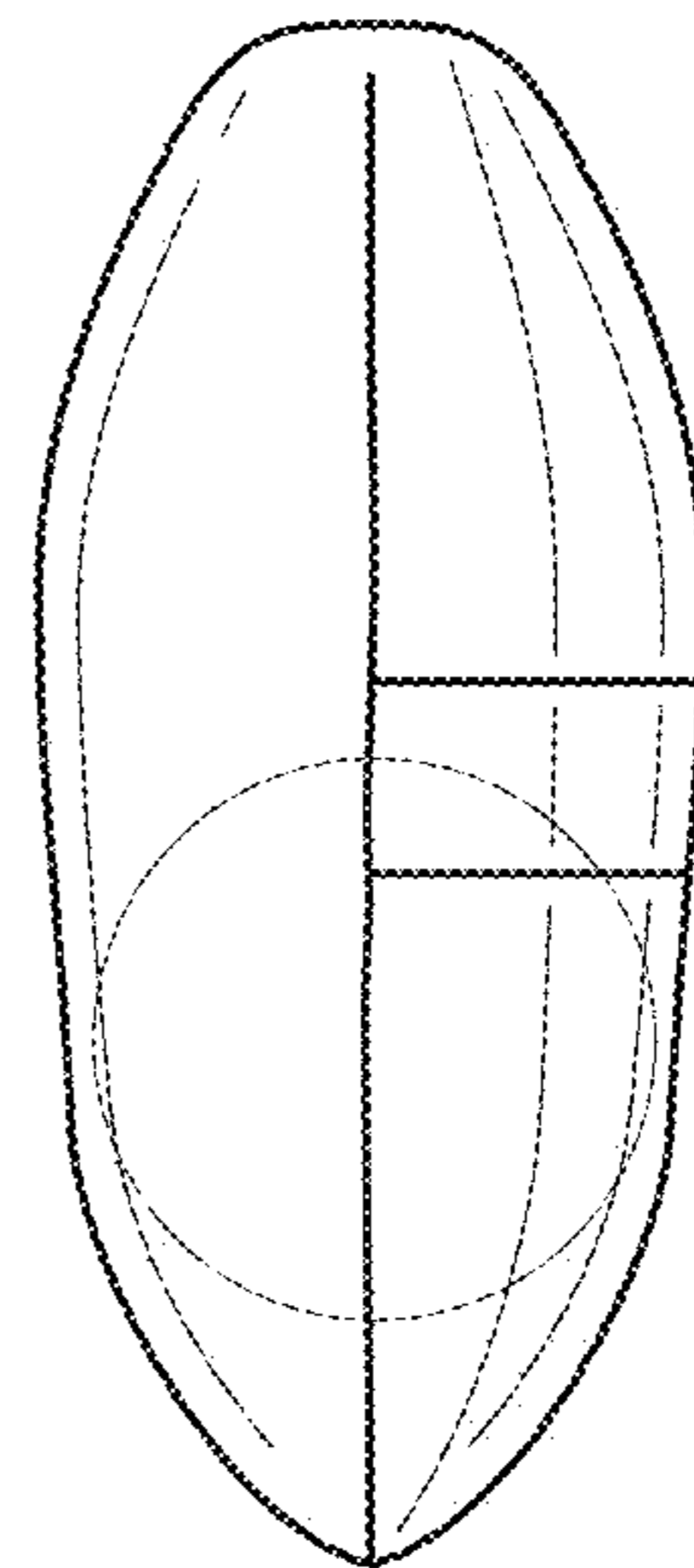


FIG. 5

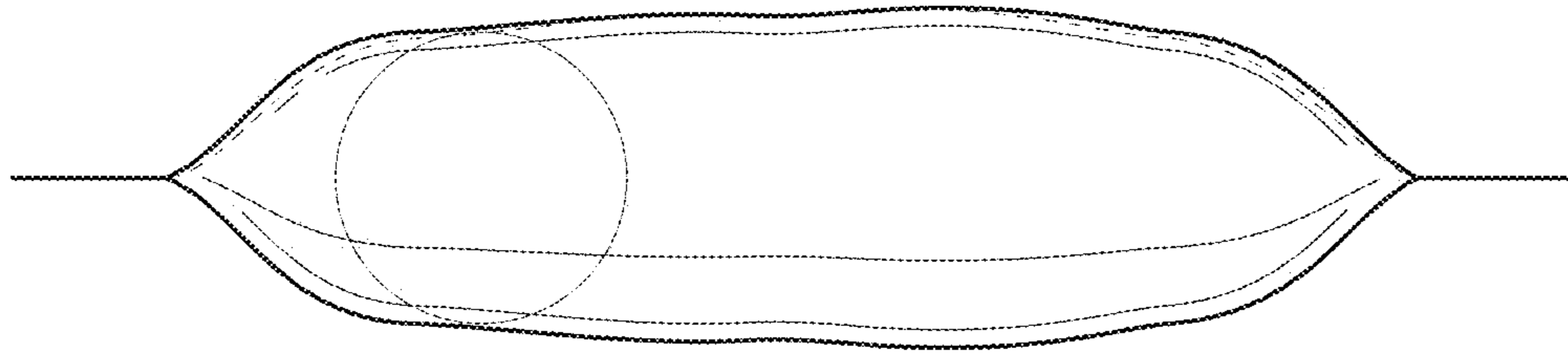


FIG. 6

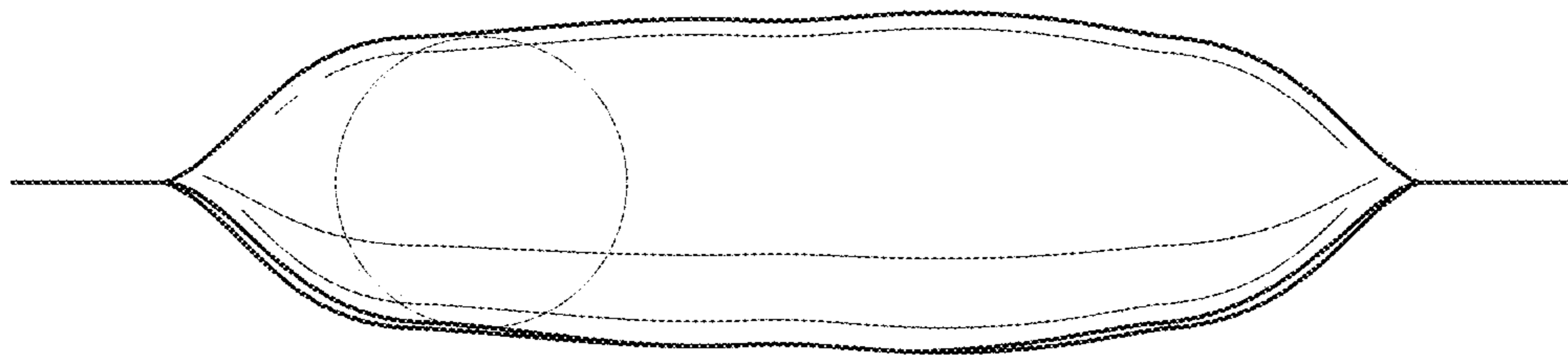


FIG. 7

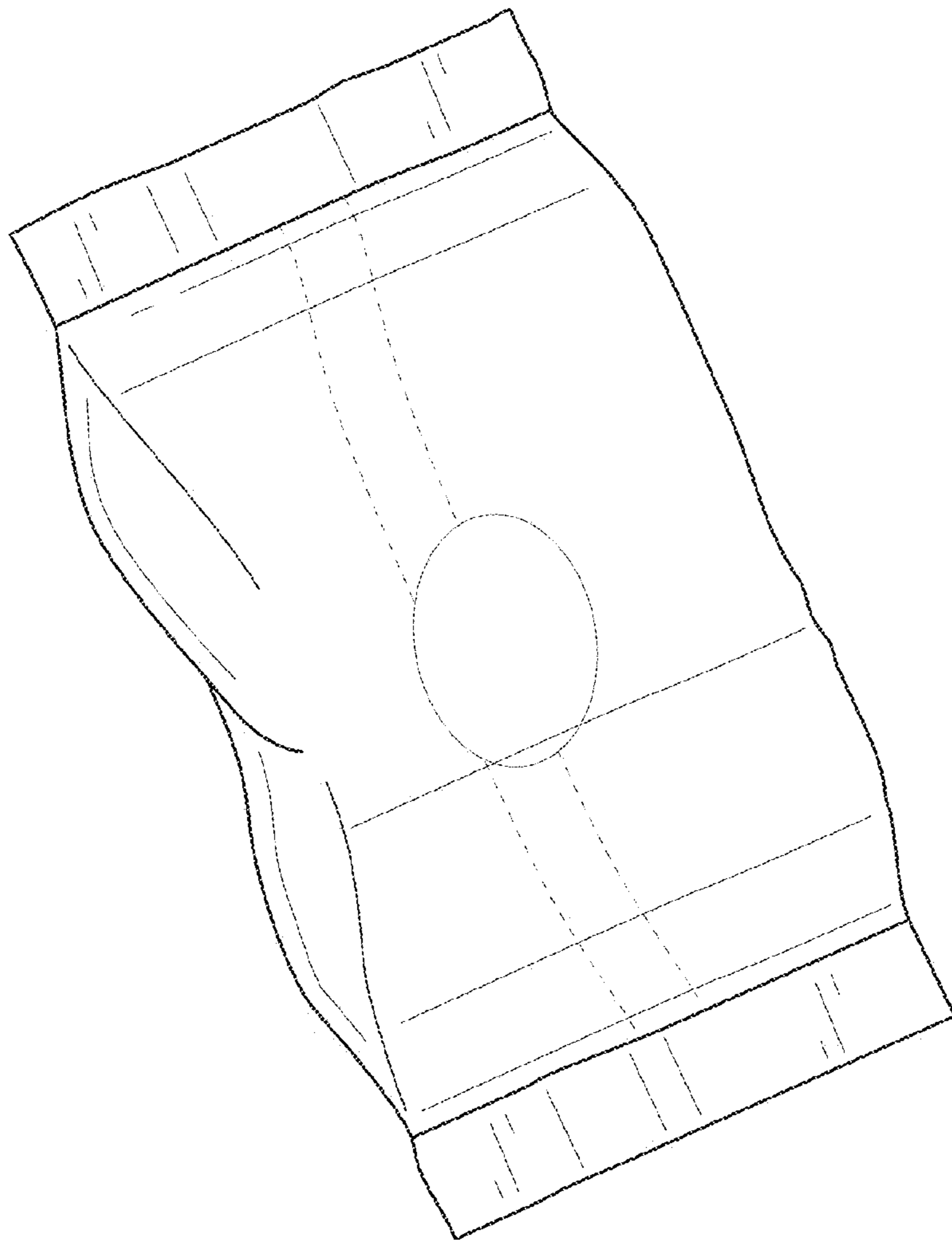


FIG. 8

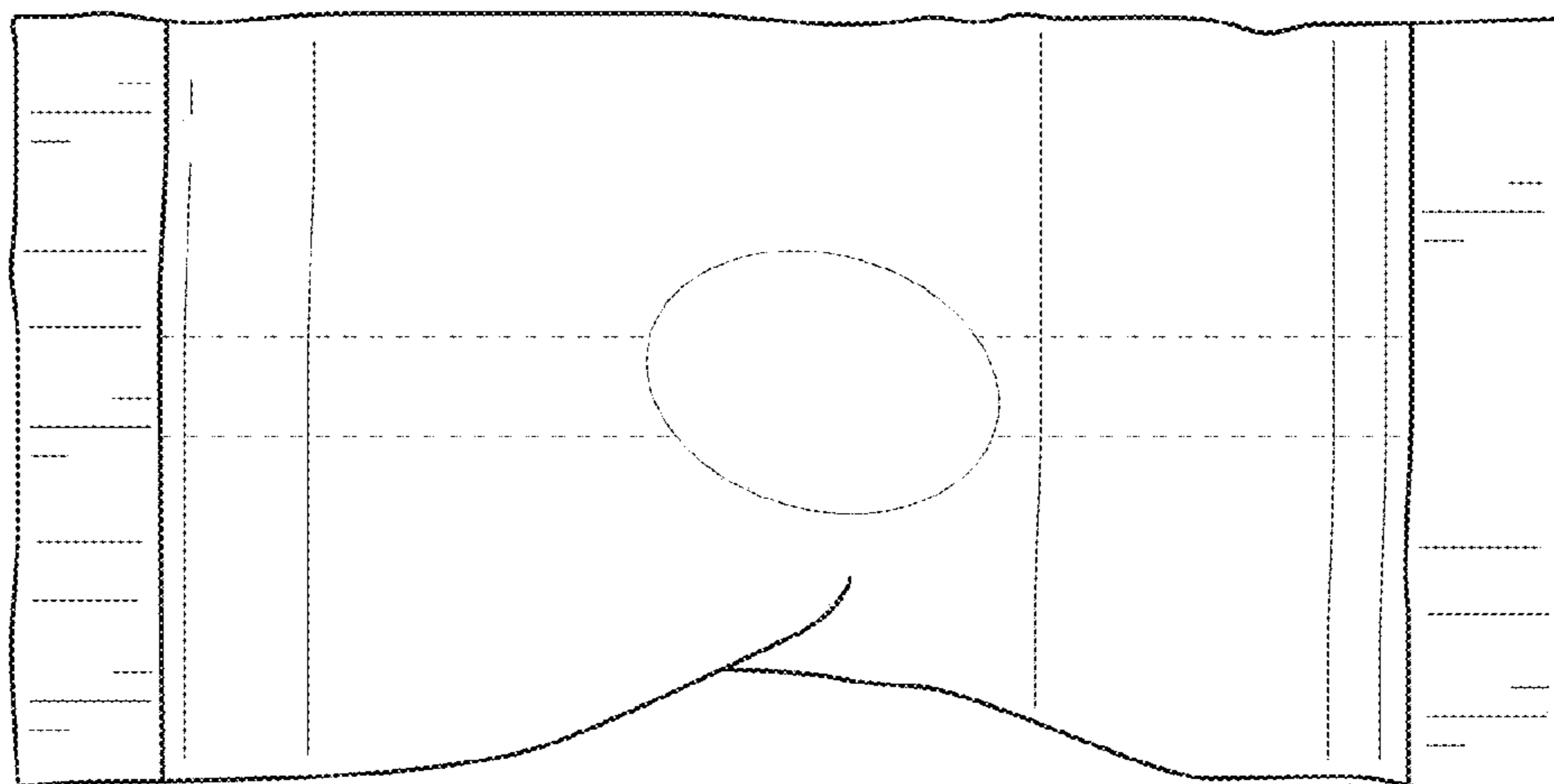


FIG. 9

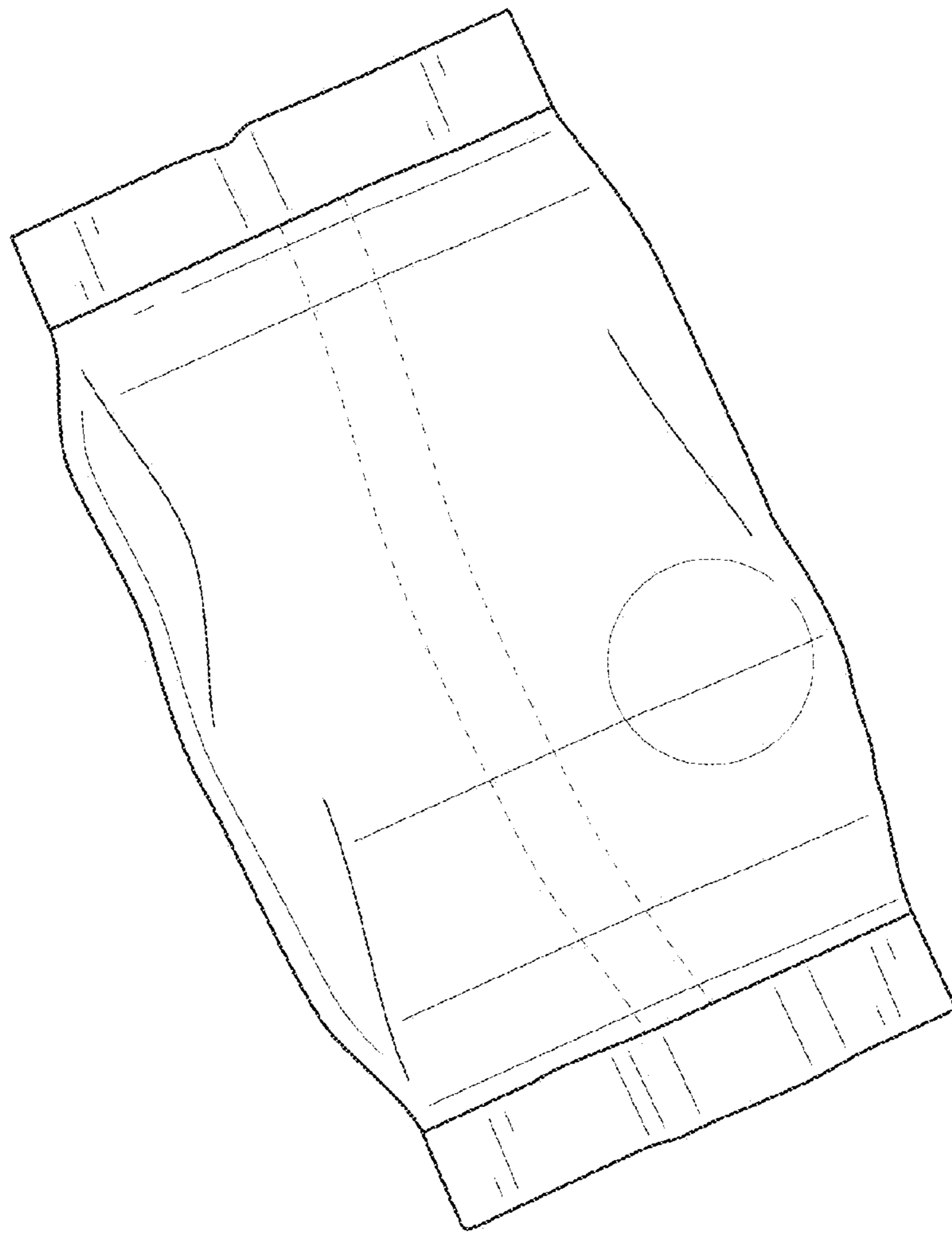


FIG. 10

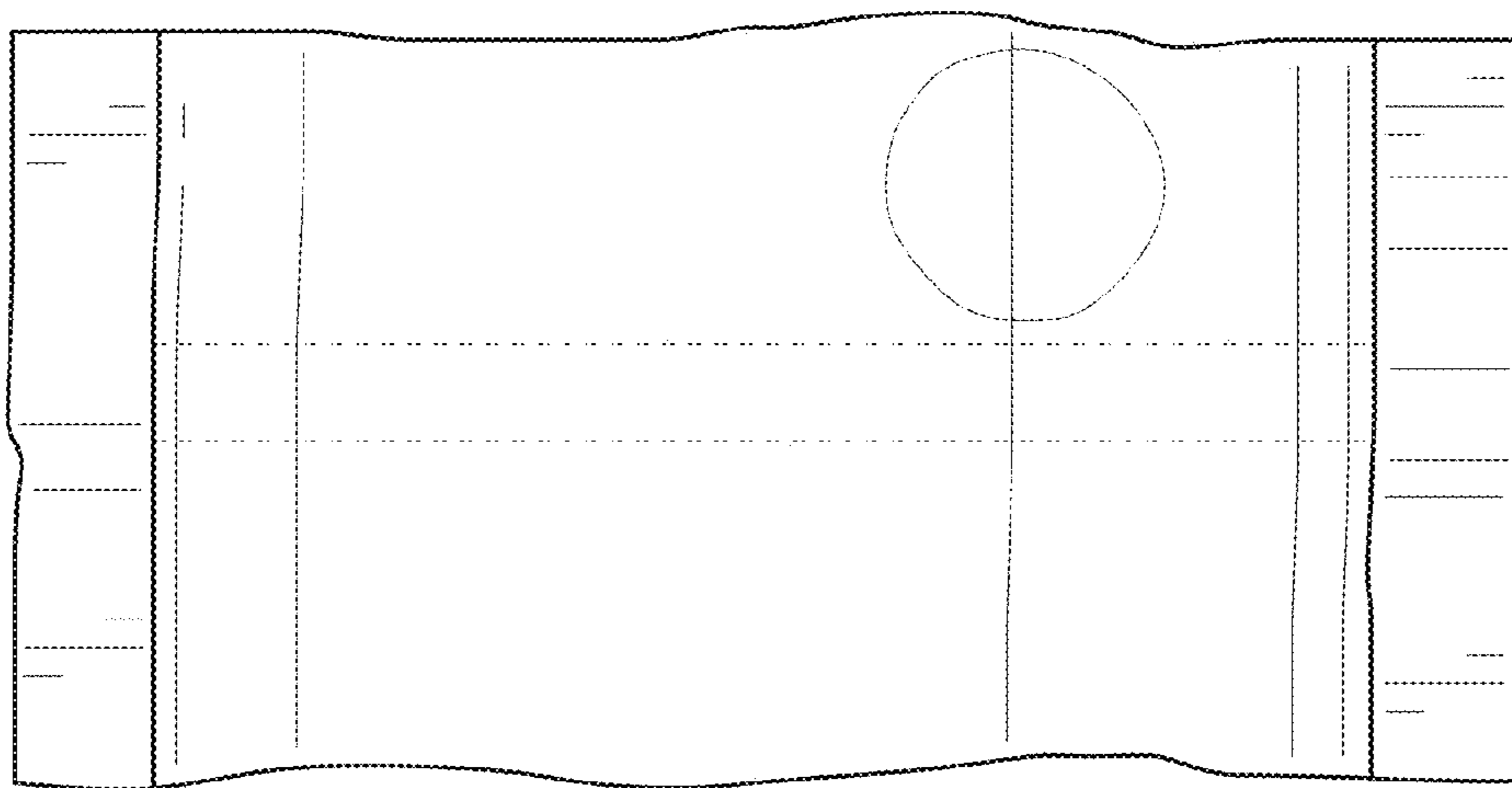


FIG. 11



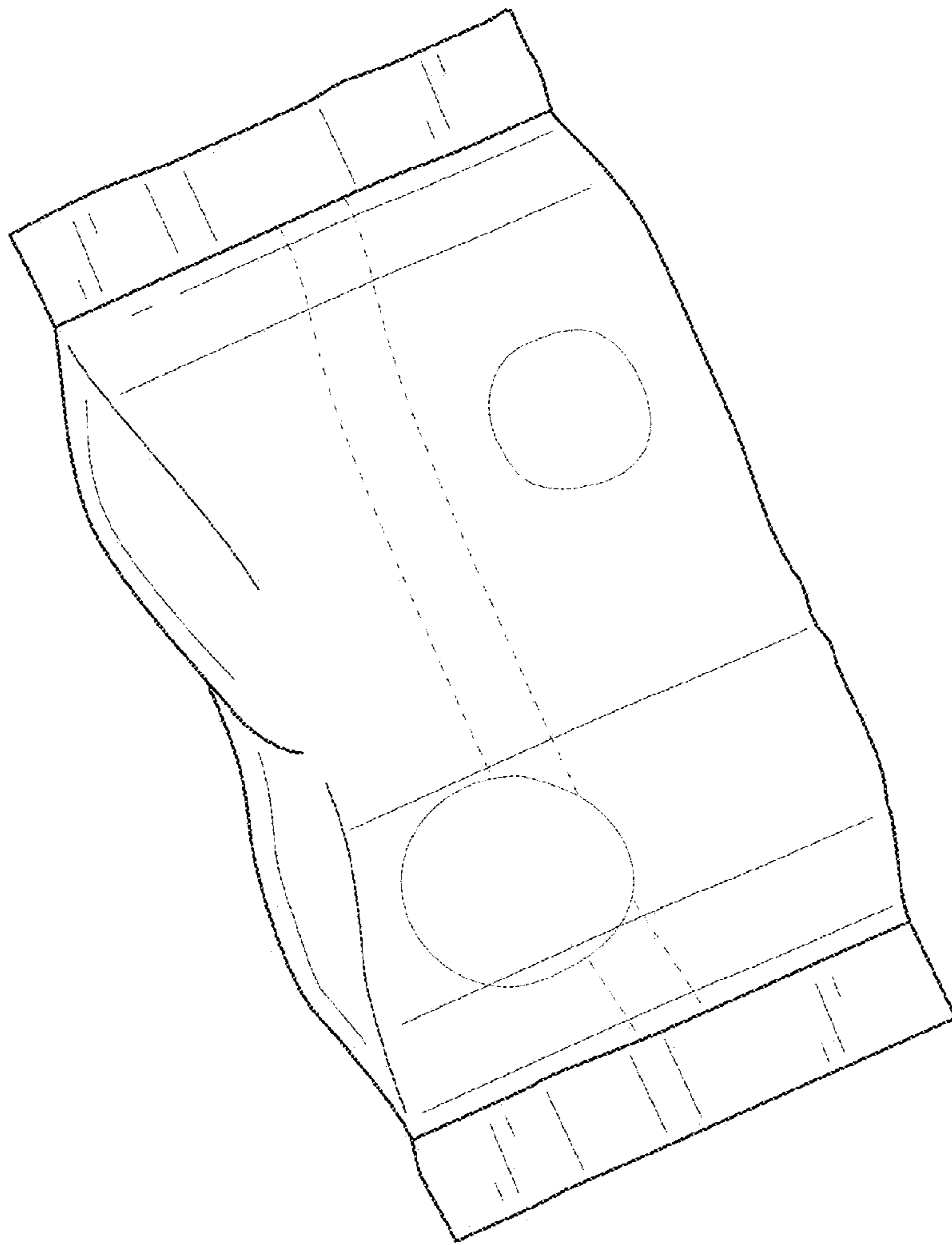


FIG. 12

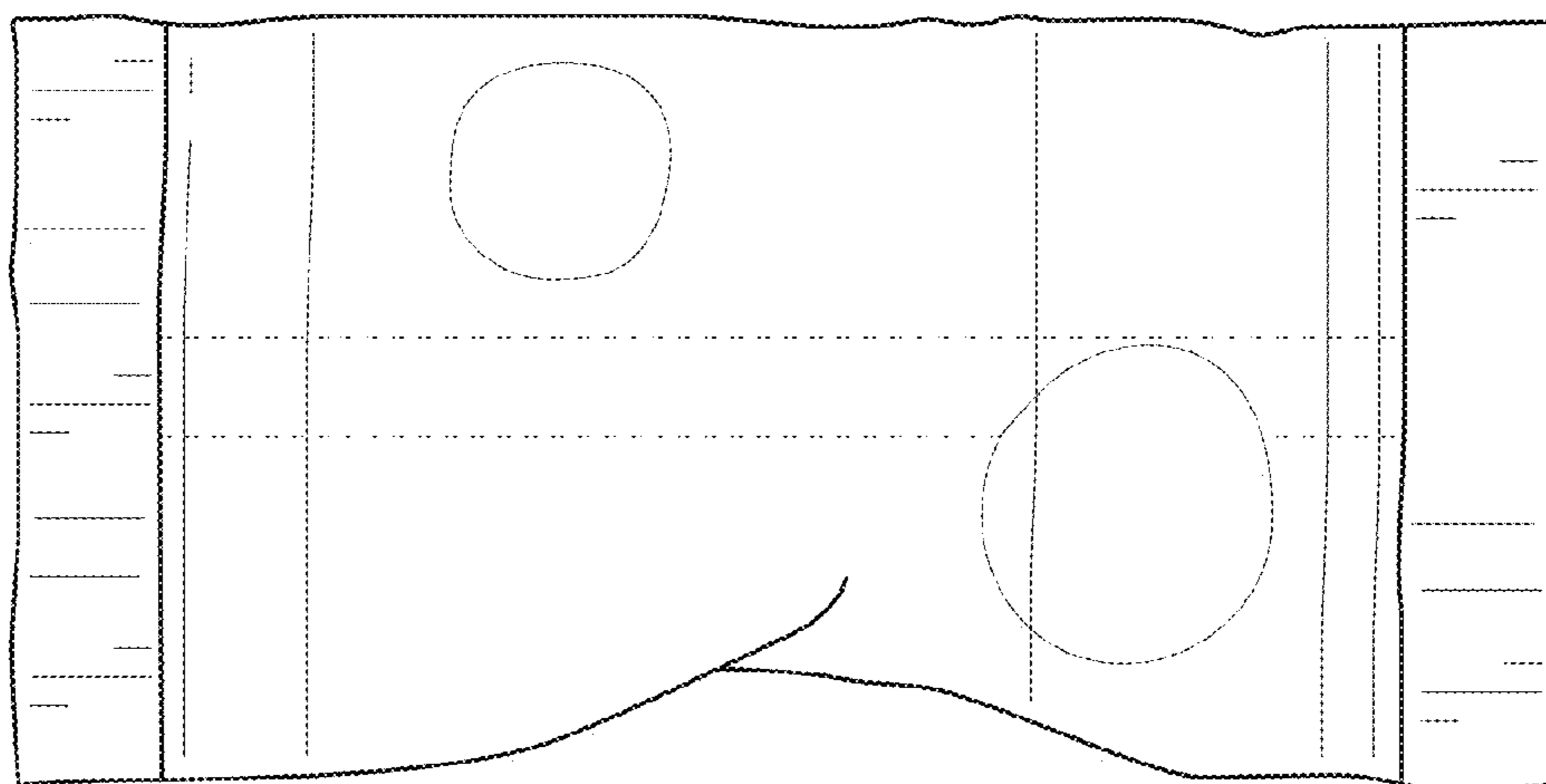


FIG. 13

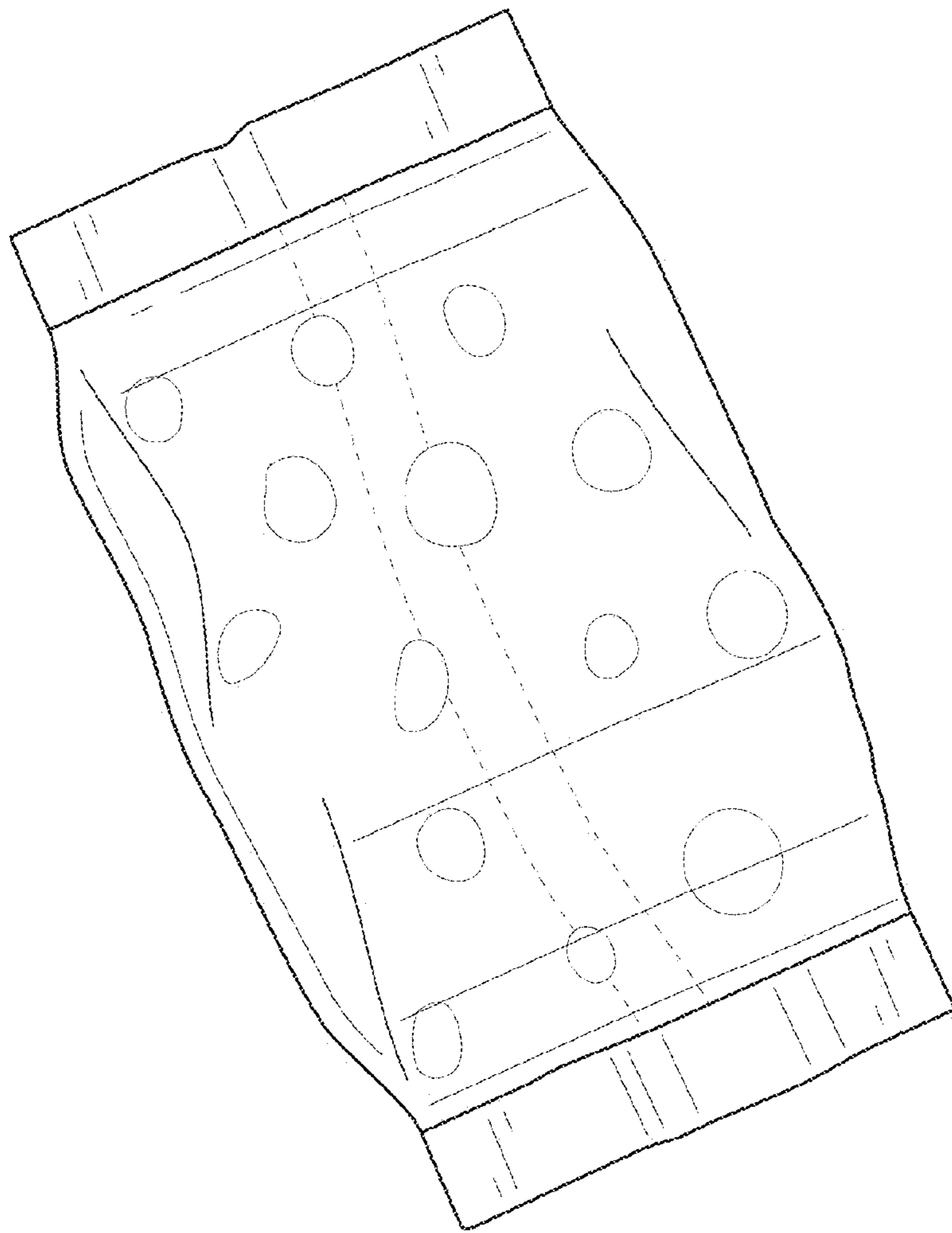


FIG. 14

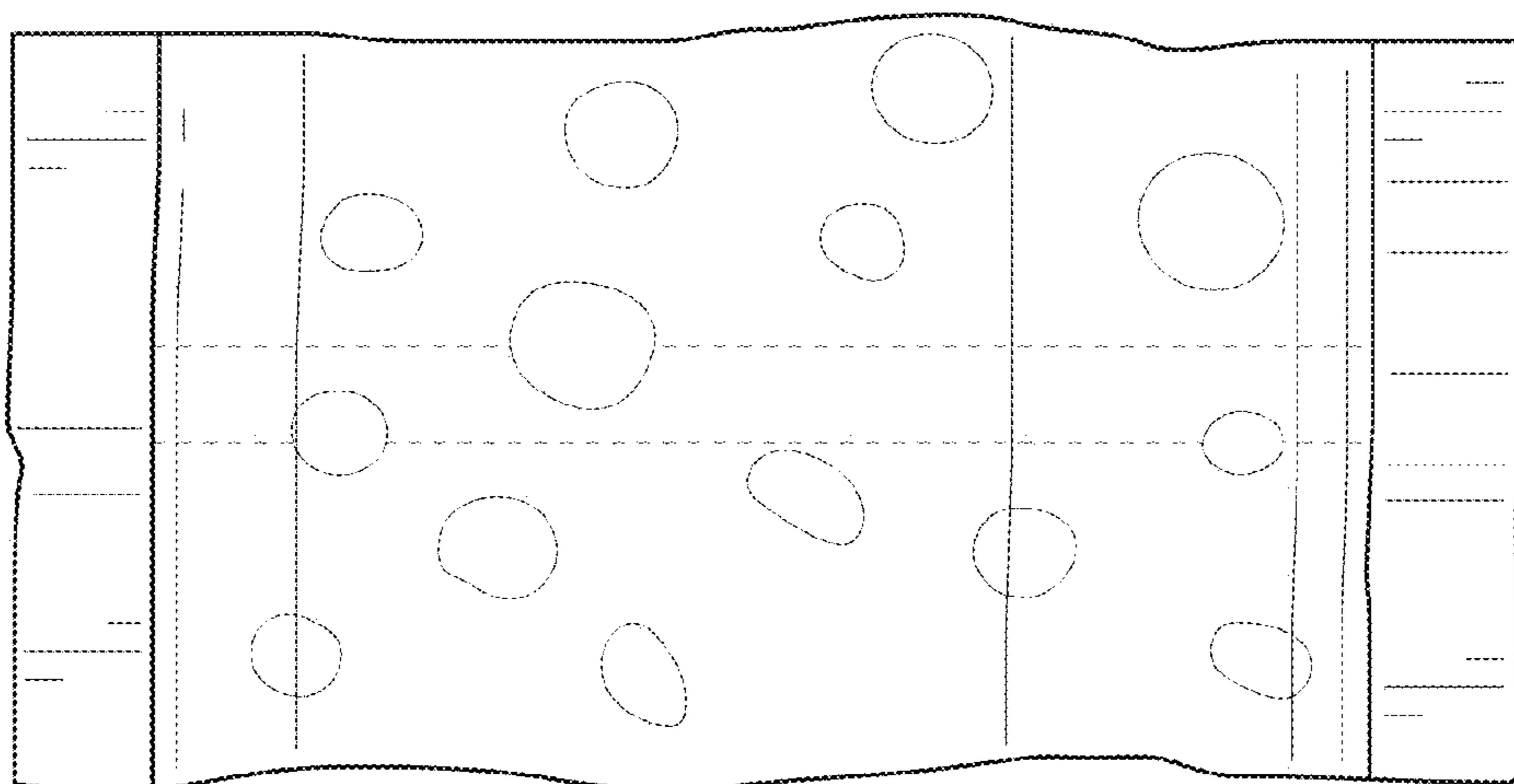


FIG. 15

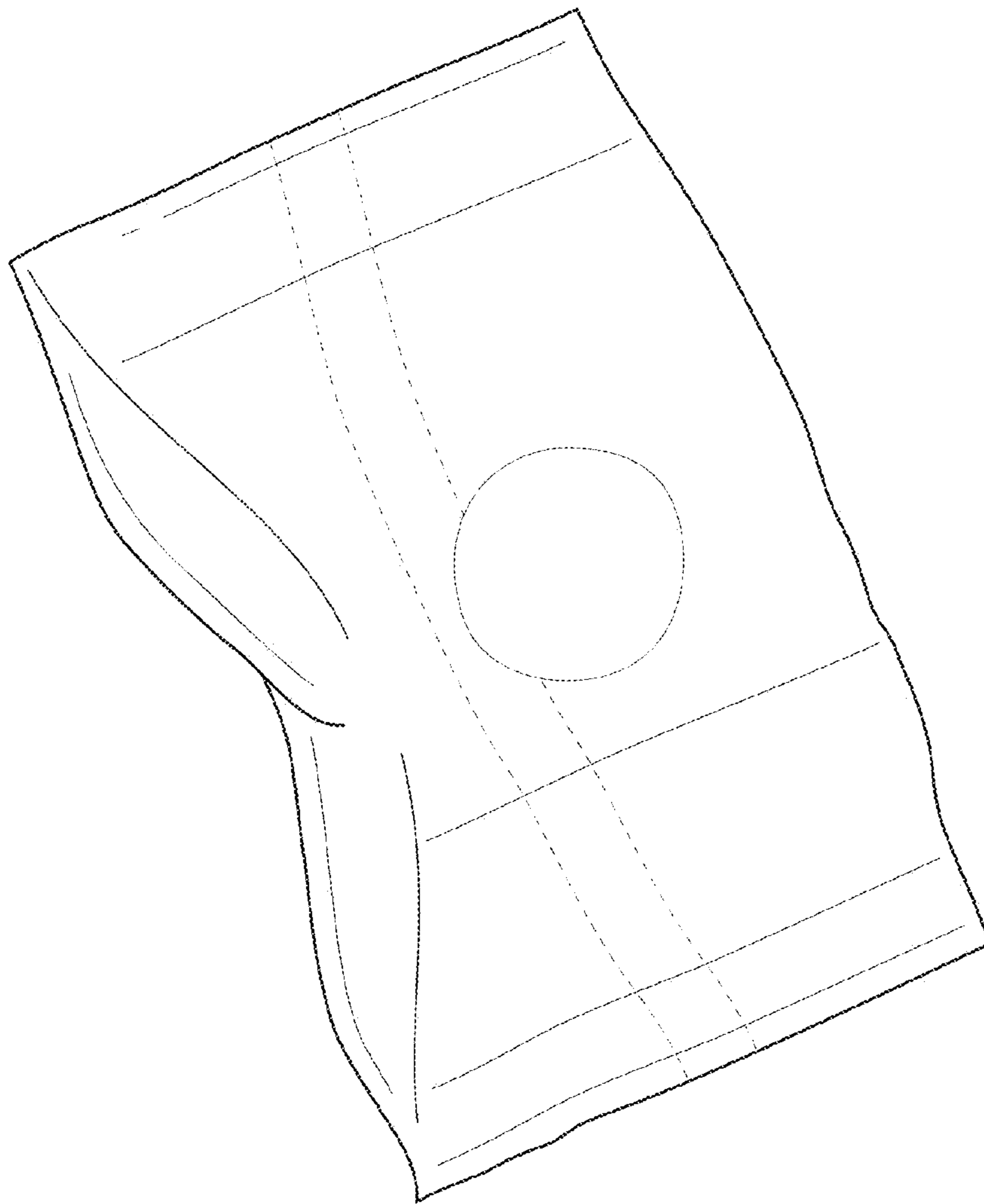


FIG. 16

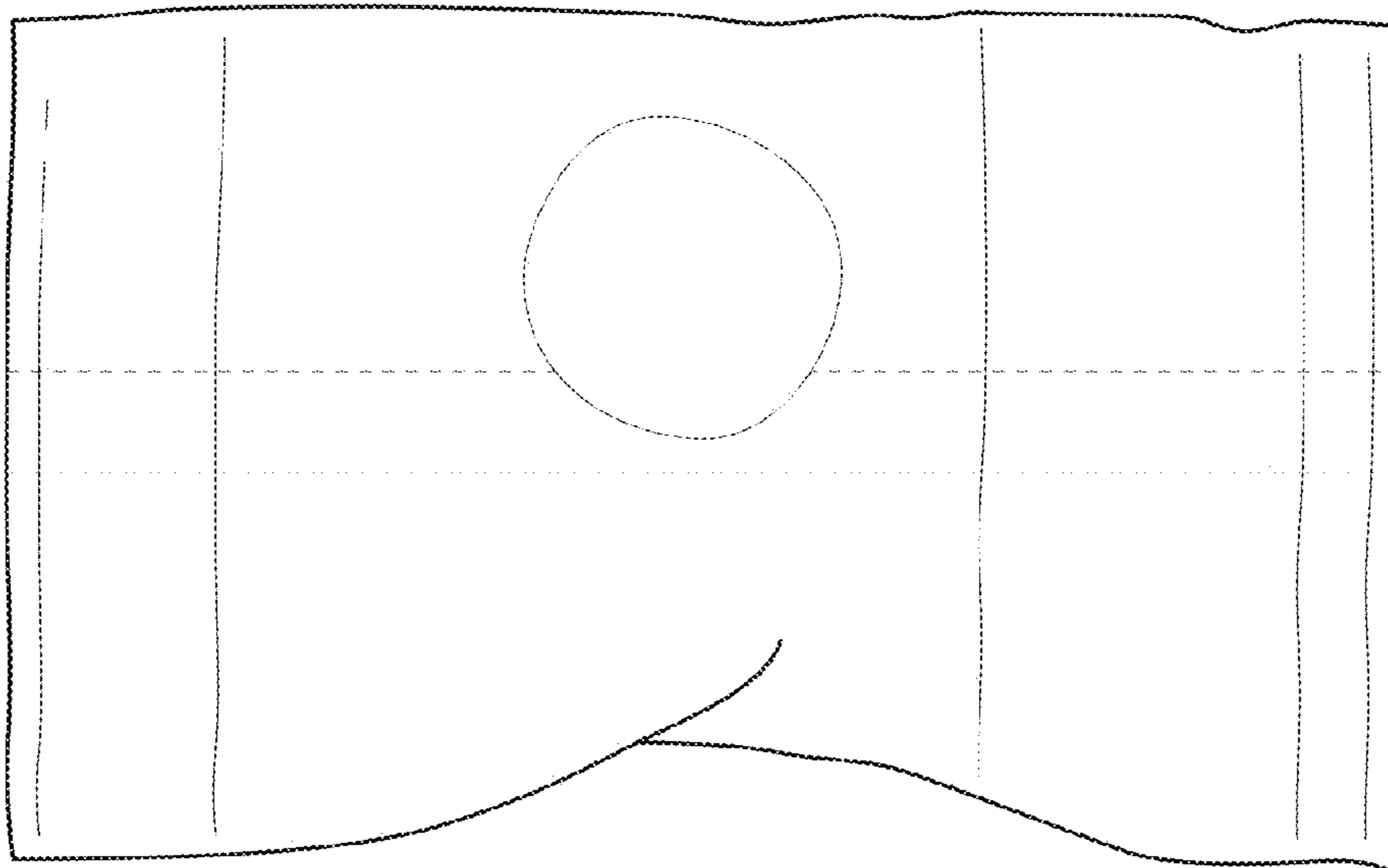


FIG. 17

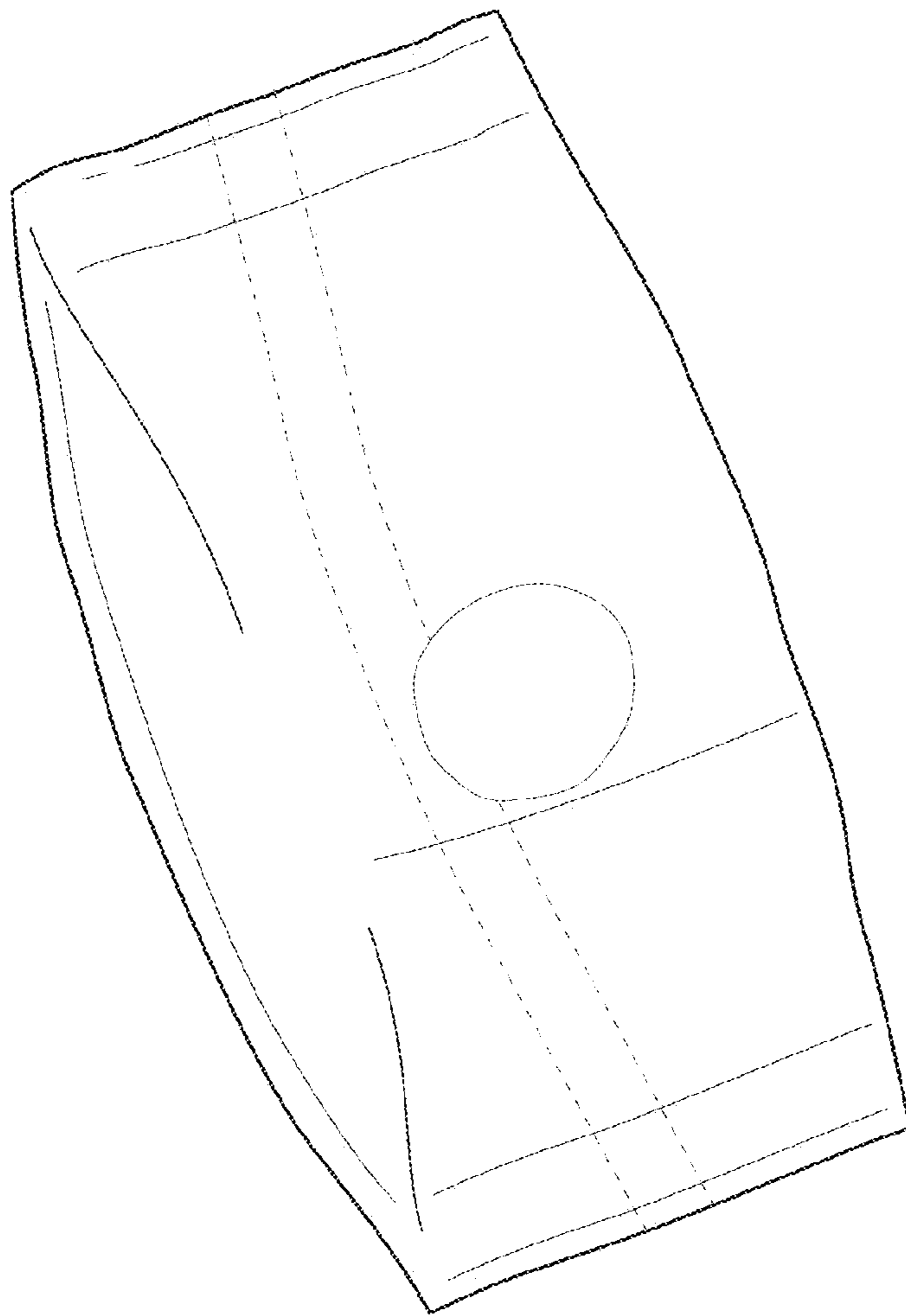


FIG. 18

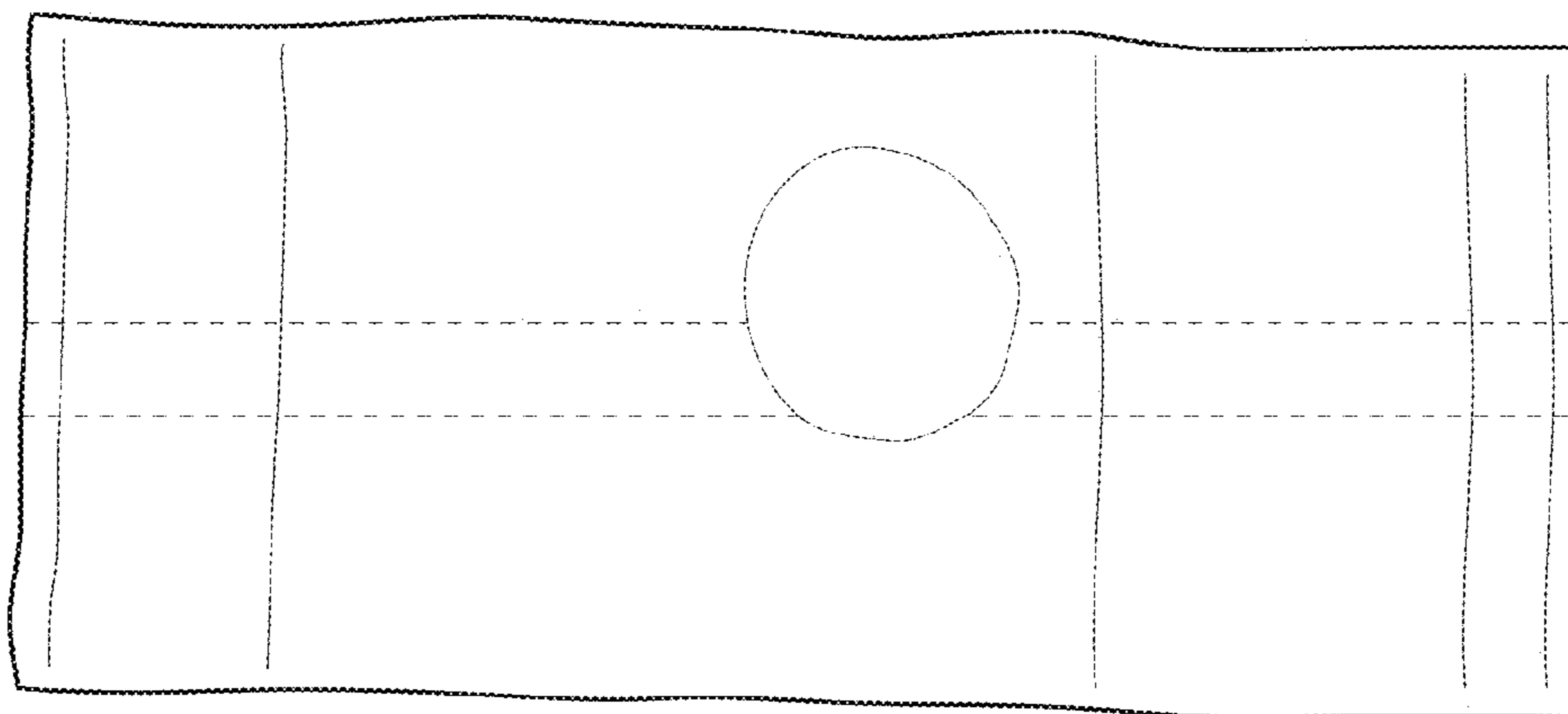


FIG. 19