



US00D988874S

(12) **United States Design Patent**  
**Dalton et al.**

(10) **Patent No.:** **US D988,874 S**  
(45) **Date of Patent:** **\*\* Jun. 13, 2023**

(54) **THREE-DIMENSIONAL DISCARD BAG**

B65D 81/368; B65D 2203/00; B65D  
2203/02; B65D 67/00; A45C 3/04; A45C  
3/10; A63H 81/16

(71) Applicant: **Seed Cup LLC**, Farmington, UT (US)

See application file for complete search history.

(72) Inventors: **Brandon Dalton**, Pleasant Grove, UT  
(US); **Daniel Doutt**, Farmington, UT  
(US); **Cameron Nielsen**, Orem, UT  
(US)

(56) **References Cited**

U.S. PATENT DOCUMENTS

(\*\*) Term: **15 Years**

D801,826 S \* 11/2017 O'Connor ..... D9/705  
D918,736 S \* 5/2021 Liu ..... D9/707  
D937,684 S \* 12/2021 Roetheli ..... D9/703  
D953,884 S \* 6/2022 Kinneman ..... D9/709

(21) Appl. No.: **29/768,904**

\* cited by examiner

(22) Filed: **Feb. 2, 2021**

(51) **LOC (14) Cl.** ..... **09-05**

*Primary Examiner* — Abraham Bahta

(52) **U.S. Cl.**  
USPC ..... **D9/703**

(74) *Attorney, Agent, or Firm* — Accelerate IP LLC

(58) **Field of Classification Search**  
USPC ..... D9/702-714, 719, 738-740, 517-518,  
D9/522, 416, 435, 444, 460, 455, 414,  
D9/499, 431-432, 600, 643-647;  
D7/560-562; 206/434, 426-427,  
206/429-430, 485, 485.1, 499, 508, 431,  
206/418-422, 588-594, 457, 459.5, 527;  
229/117.3, 185, 121, 122, 200, 207, 236,  
229/87.01, 116.1; 220/23.83;  
150/100-118; 294/137, 152; 383/6, 10,  
383/14, 20, 40, 33, 104-105, 117, 108,  
383/120, 93, 121.1, 127, 66, 88;  
428/34.3; D3/270, 271.1-271.4;  
215/381-385, 400

(57) **CLAIM**

The ornamental design for a three-dimensional discard bag,  
as shown and described.

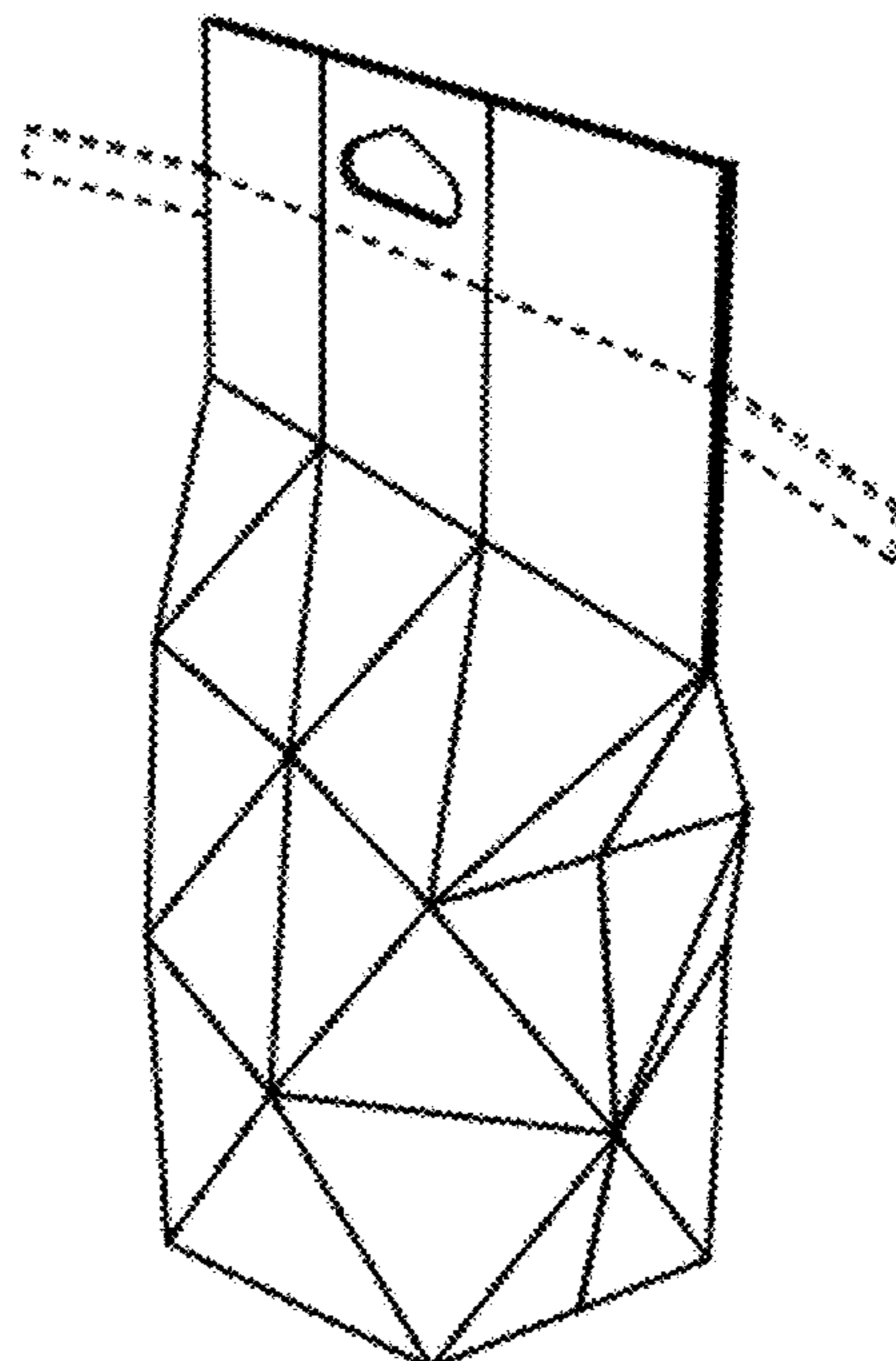
CPC ..... B65D 33/00; B65D 33/06; B65D 33/065;  
B65D 33/14; B65D 33/1683; B65D  
33/12; B65D 33/04; B65D 33/02; B65D  
31/00; B65D 31/04; B65D 31/10; B65D  
5/42; B65D 5/4208; B65D 5/75; B65D  
81/30; B65D 81/365; B65D 81/366;

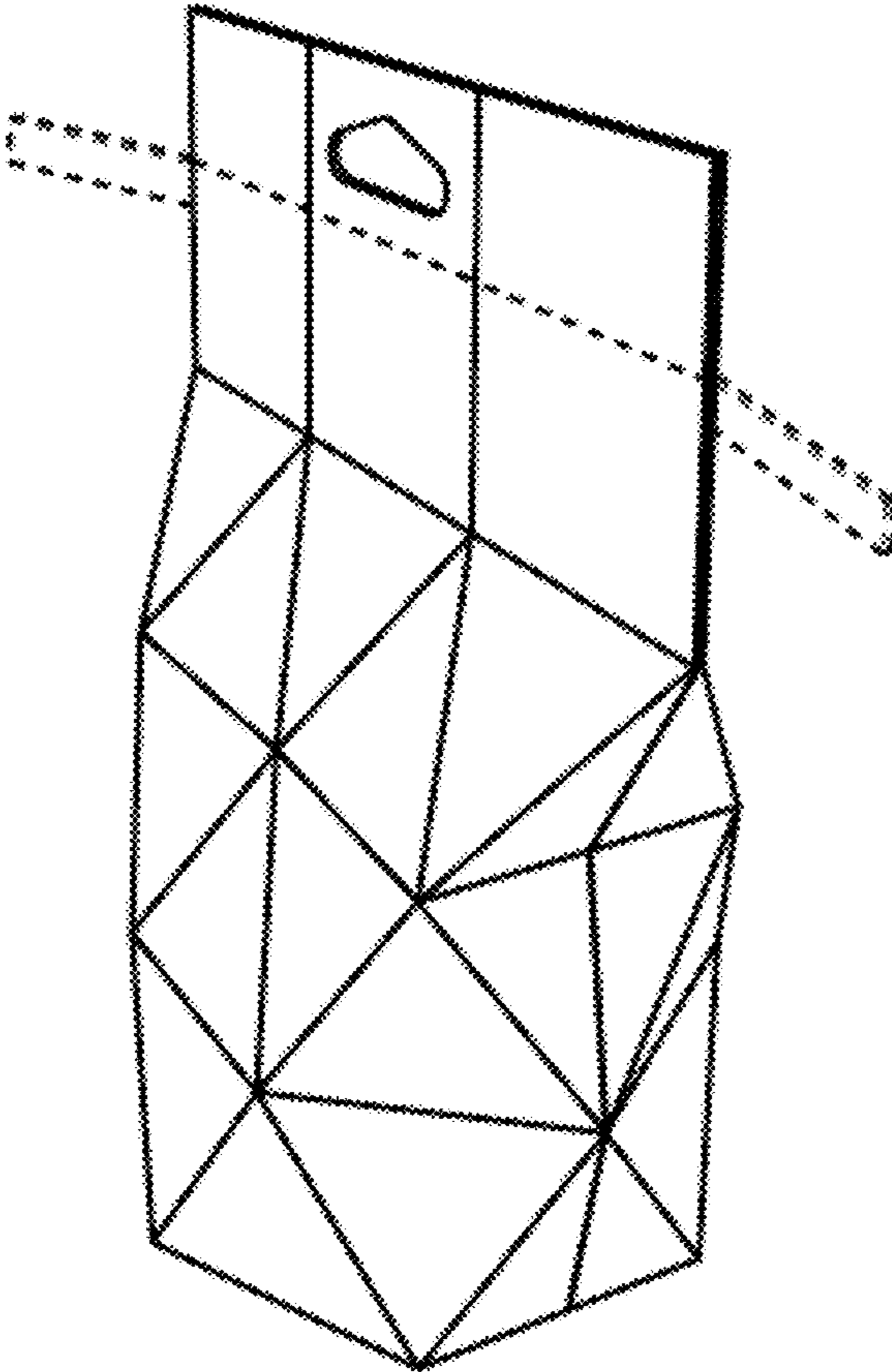
**DESCRIPTION**

FIG. 1 is an isometric view of the three-dimensional discard  
bag showing our new design;  
FIG. 2 is a front view thereof;  
FIG. 3 is a side view thereof;  
FIG. 4 is a back view thereof; and,  
FIG. 5 is a bottom view thereof.

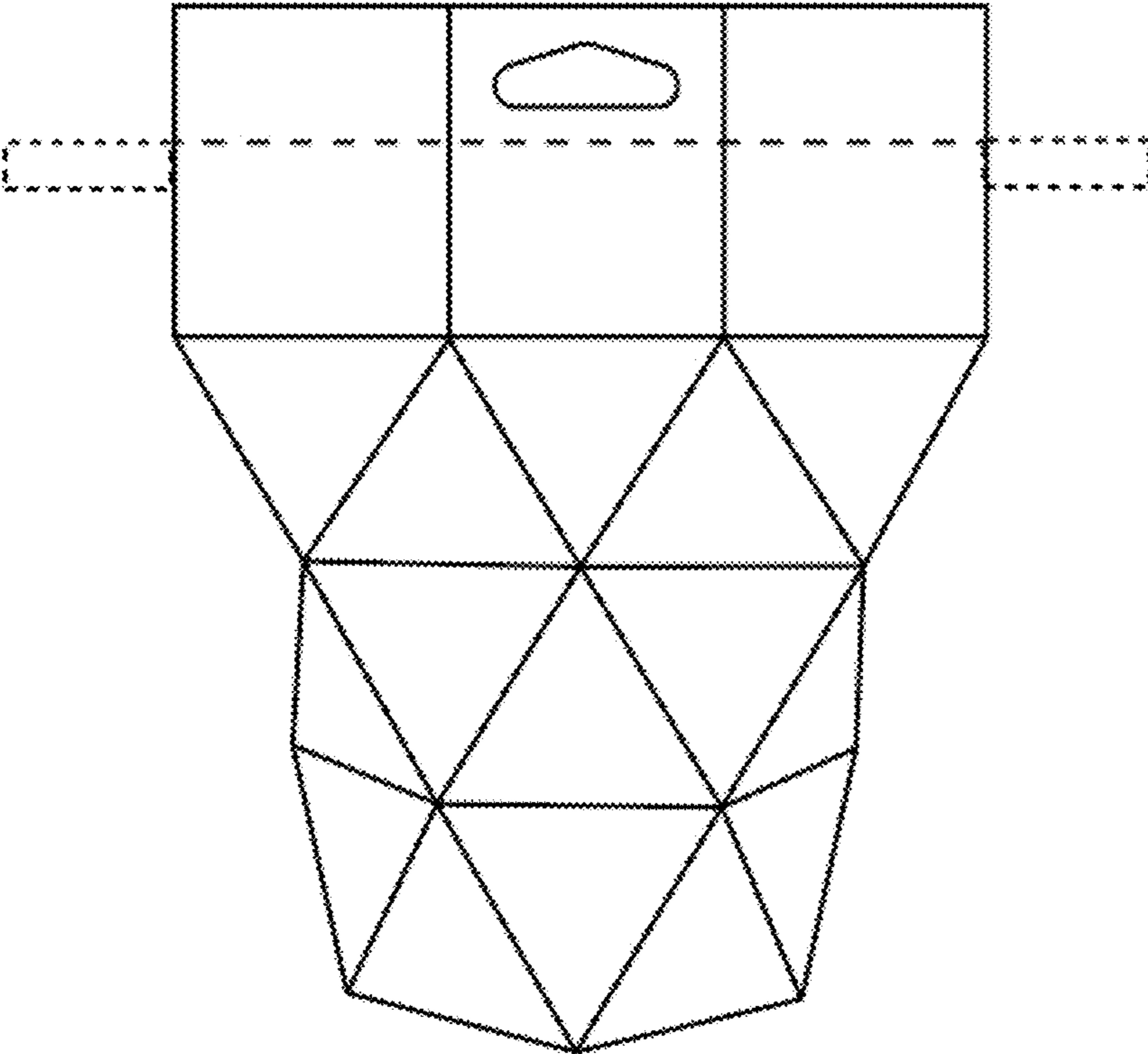
The portions shown in grayscale patterns with a opacity and  
dashed lines within the design in FIGS. 1-7 are for illustra-  
tive purposes only and form no part of the claimed design.  
The broken line showing of portions of the claimed design  
is included for the purpose of illustrating environmental  
structure and forms no part of the claimed design.

**1 Claim, 5 Drawing Sheets**

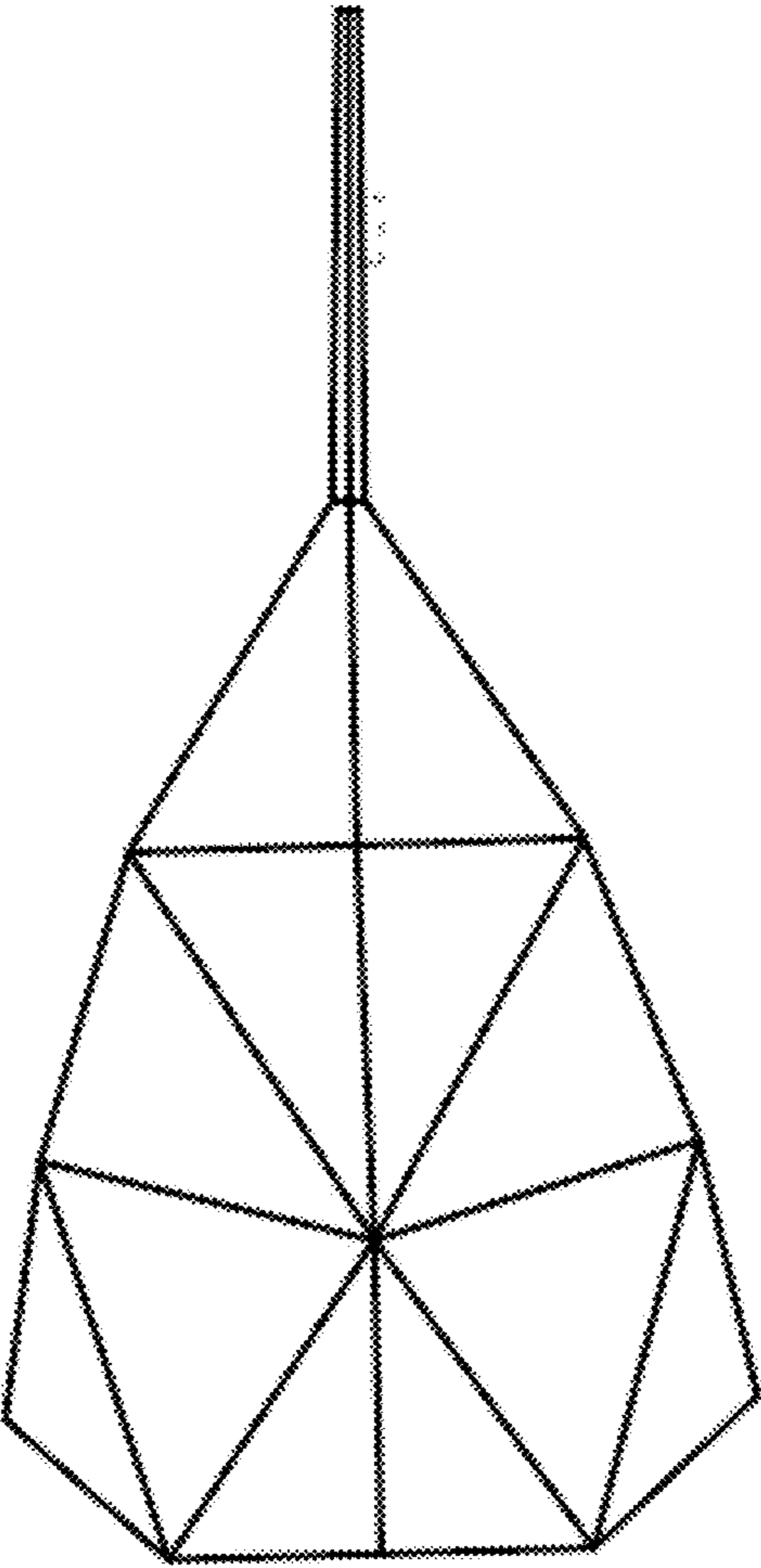




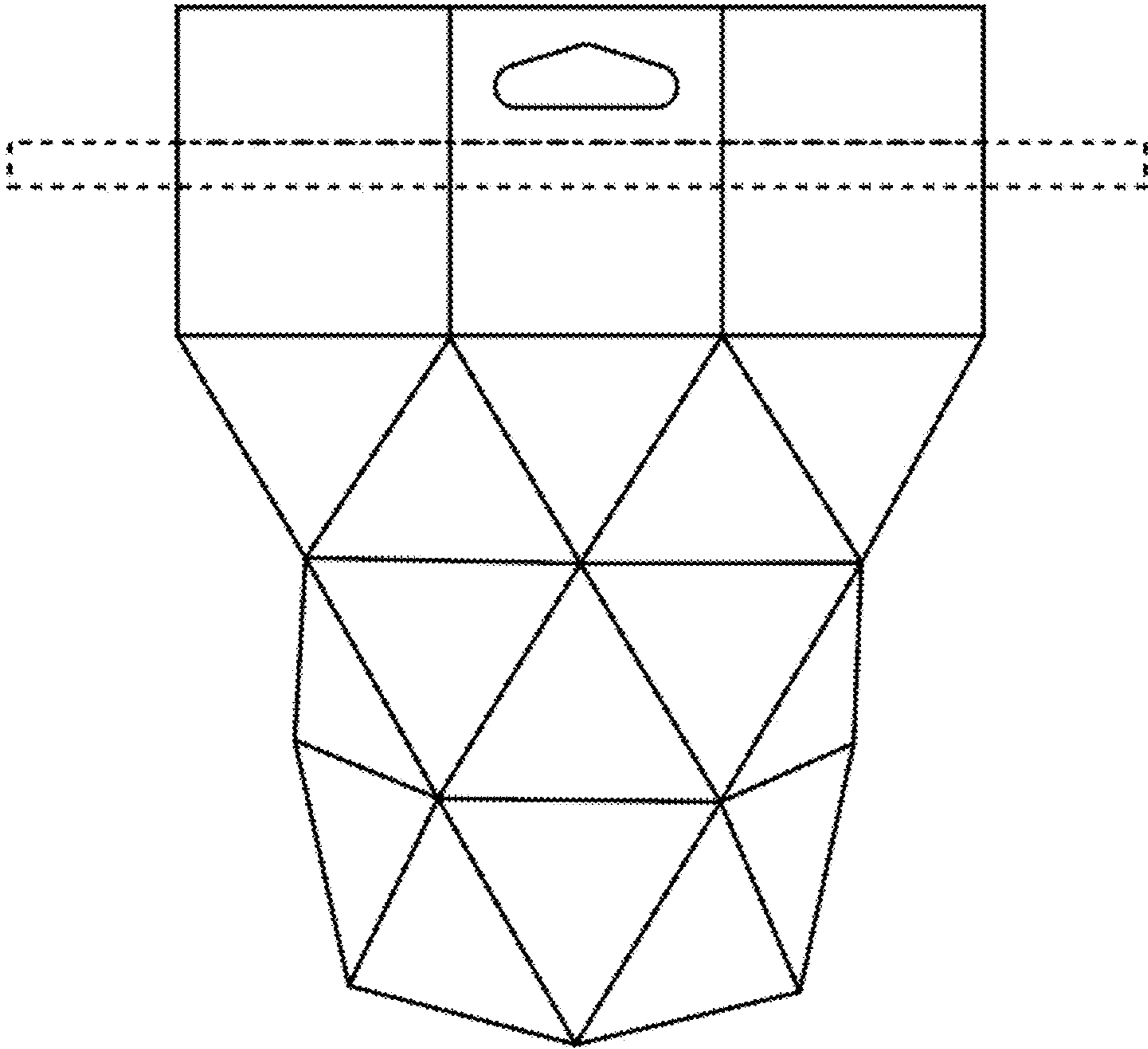
*FIG. 1*



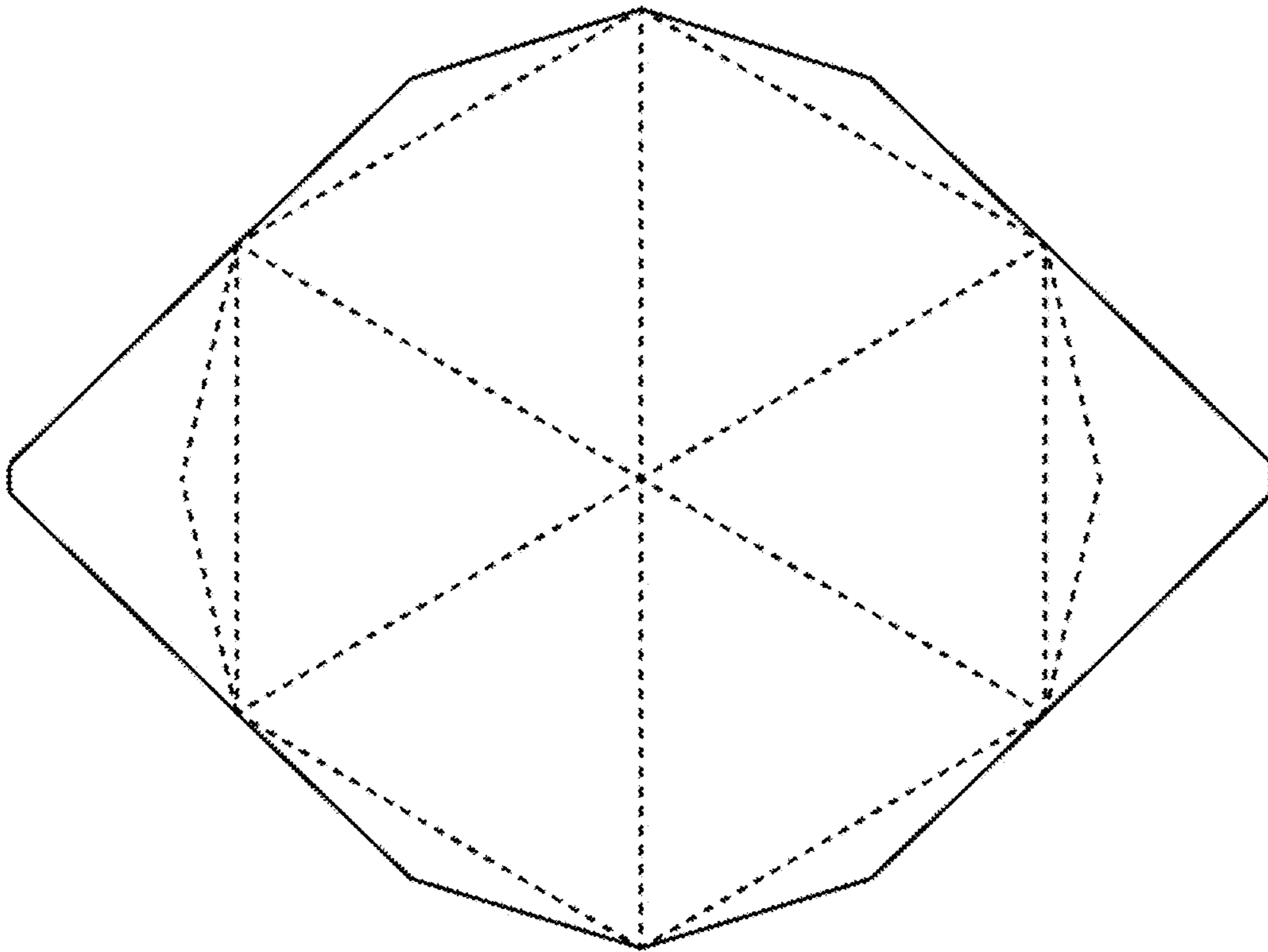
**FIG. 2**



**FIG. 3**



**FIG. 4**



***FIG. 5***