



US00D988869S

(12) **United States Design Patent**
El-Alj

(10) **Patent No.: US D988,869 S**
(45) **Date of Patent: ** Jun. 13, 2023**

(54) **FLUID CONTAINER WITH INSERTABLE PACKAGING POD**

(71) Applicant: **Mohamed El-Alj**, Miami, FL (US)

(72) Inventor: **Mohamed El-Alj**, Miami, FL (US)

(**) Term: **15 Years**

(21) Appl. No.: **29/750,267**

(22) Filed: **Sep. 11, 2020**

Related U.S. Application Data

(63) Continuation-in-part of application No. 16/201,439, filed on Nov. 27, 2018, now Pat. No. 10,906,696.

(51) **LOC (14) Cl.** **09-01**

(52) **U.S. Cl.**
USPC **D9/516**

(58) **Field of Classification Search**

USPC D9/456, 516, 543, 544, 545, 549, 550, D9/551, 571, 575, 658; 206/217, 539, 206/538, 528; D7/300, 305, 619.1; 215/6, 383, 378, 370, 44, 10
CPC B65D 1/0246; B65D 1/023; B65D 1/04; B65D 1/0261; B65D 41/04; B65D 2501/0081; B65D 83/04; B65D 83/0445
See application file for complete search history.

(56) **References Cited**

U.S. PATENT DOCUMENTS

D113,875 S * 3/1939 Miyaki D9/658
D211,316 S * 6/1968 Kusterman D9/551
5,050,757 A * 9/1991 Hidding B65D 21/0237
215/383
D325,341 S * 4/1992 Balavich D9/744
D505,332 S * 5/2005 Zoller D9/575

(Continued)

FOREIGN PATENT DOCUMENTS

CN 303735895 * 7/2016
CN 304183139 * 6/2017

(Continued)

OTHER PUBLICATIONS

Diversion Safe Water Bottle Stash Can Hidden Bottom for Valuables. Date first available: Dec. 25, 2018. Site visited Aug. 4, 2022. Available online: https://www.amazon.com/Tumbler-Diversion-Stainless-Valuables-Insulated/dp/B07MGWB4TL/ref=asc_df_B07MGWB4TL (Year: 2018).*

(Continued)

Primary Examiner — Catherine S Posthauer

Assistant Examiner — Joan E. Diehl

(74) *Attorney, Agent, or Firm* — John Rizvi, P.A.

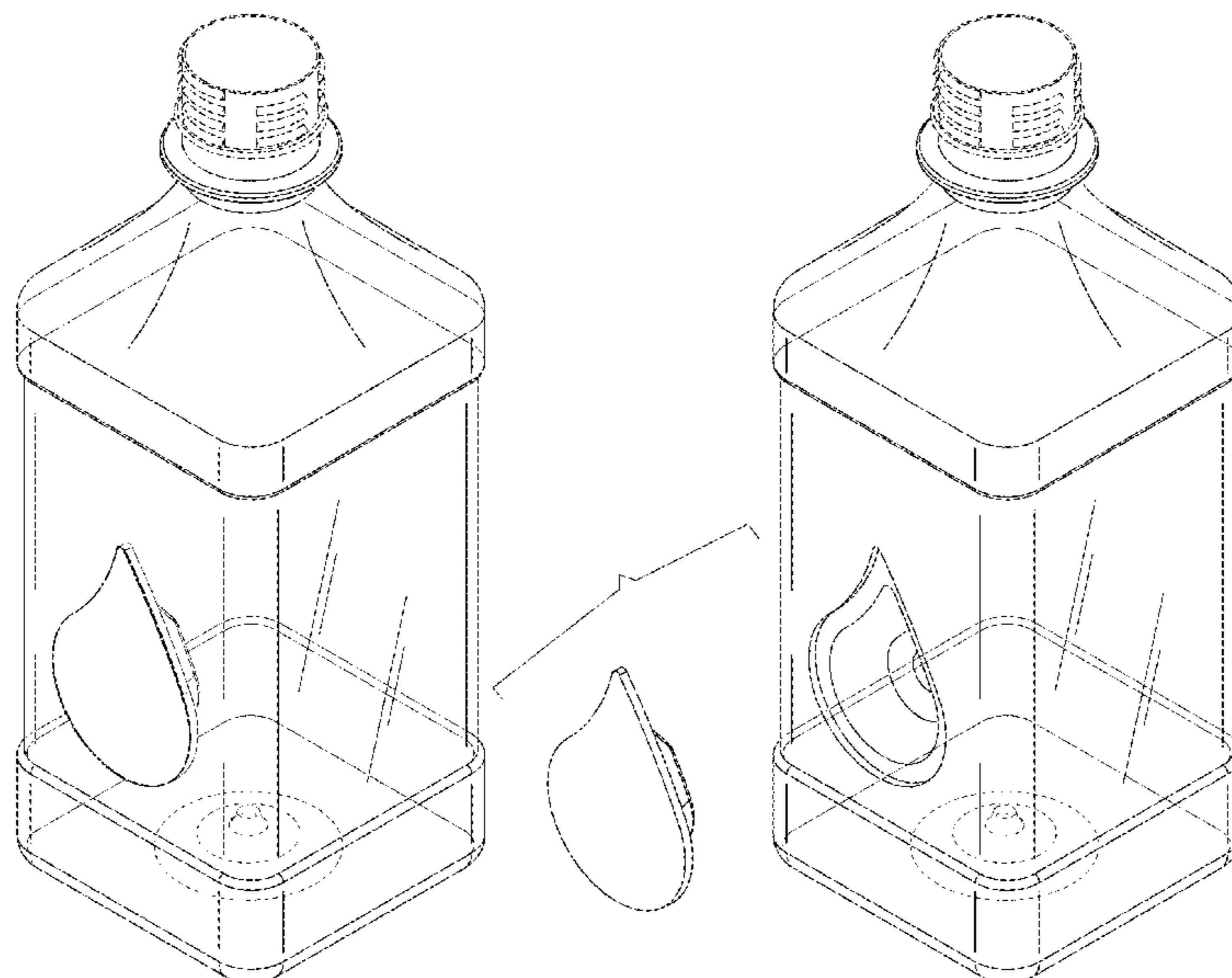
(57) **CLAIM**

I claim the ornamental design for a fluid container with insertable packaging pod, as shown and described.

DESCRIPTION

FIG. 1 is a front isometric view of a fluid container with insertable packaging pod showing my new design; FIG. 2 is a front isometric-exploded view thereof; FIG. 3 is a right side elevation view thereof; FIG. 4 is a front isometric view of the fluid container; FIG. 5 is a bottom-rear isometric elevation view thereof; FIG. 6 is a front side elevation view thereof; FIG. 7 is a rear side elevation view thereof; FIG. 8 is a left side elevation view thereof; FIG. 9 is a right side elevation view thereof; FIG. 10 is a rear isometric view of the packaging pod; FIG. 11 is a left side elevation view thereof; and, FIG. 12 is a front side elevation view of the packaging pod absent the removable top membrane. The broken lines illustrate a bottom indentation on the fluid container and forms not part of the claimed design.

1 Claim, 10 Drawing Sheets



(56)

References Cited

U.S. PATENT DOCUMENTS

7,225,937 B2 * 6/2007 Schroeder B65D 21/0237
206/499
7,357,265 B2 * 4/2008 Zoller B65D 23/14
40/406
D573,032 S * 7/2008 Lockman D9/551
D619,475 S * 7/2010 Caldwell D9/434
10,906,696 B1 * 2/2021 El-Alj B65D 1/0261
D932,920 S * 10/2021 Slimane D9/571
2005/0263413 A1 * 12/2005 Harman G11B 23/0021
206/217
2010/0270259 A1 * 10/2010 Russell B65D 1/0246
215/382

FOREIGN PATENT DOCUMENTS

CN 304815618 * 9/2018
CN 305755919 * 8/2019
CN 110520362 B * 3/2022 B65D 1/04

OTHER PUBLICATIONS

Kevibuy 7-Day Water Bottle with Pill Organizer. Date First Available: Jun. 1, 2020. Site visited: Aug. 4, 2022. Available online: <https://www.amazon.com/Kevibuy-Organizer-Reminder-Supplement-Medication/dp/B08B4ZH6XJ?th=1> (Year: 2020).*

* cited by examiner

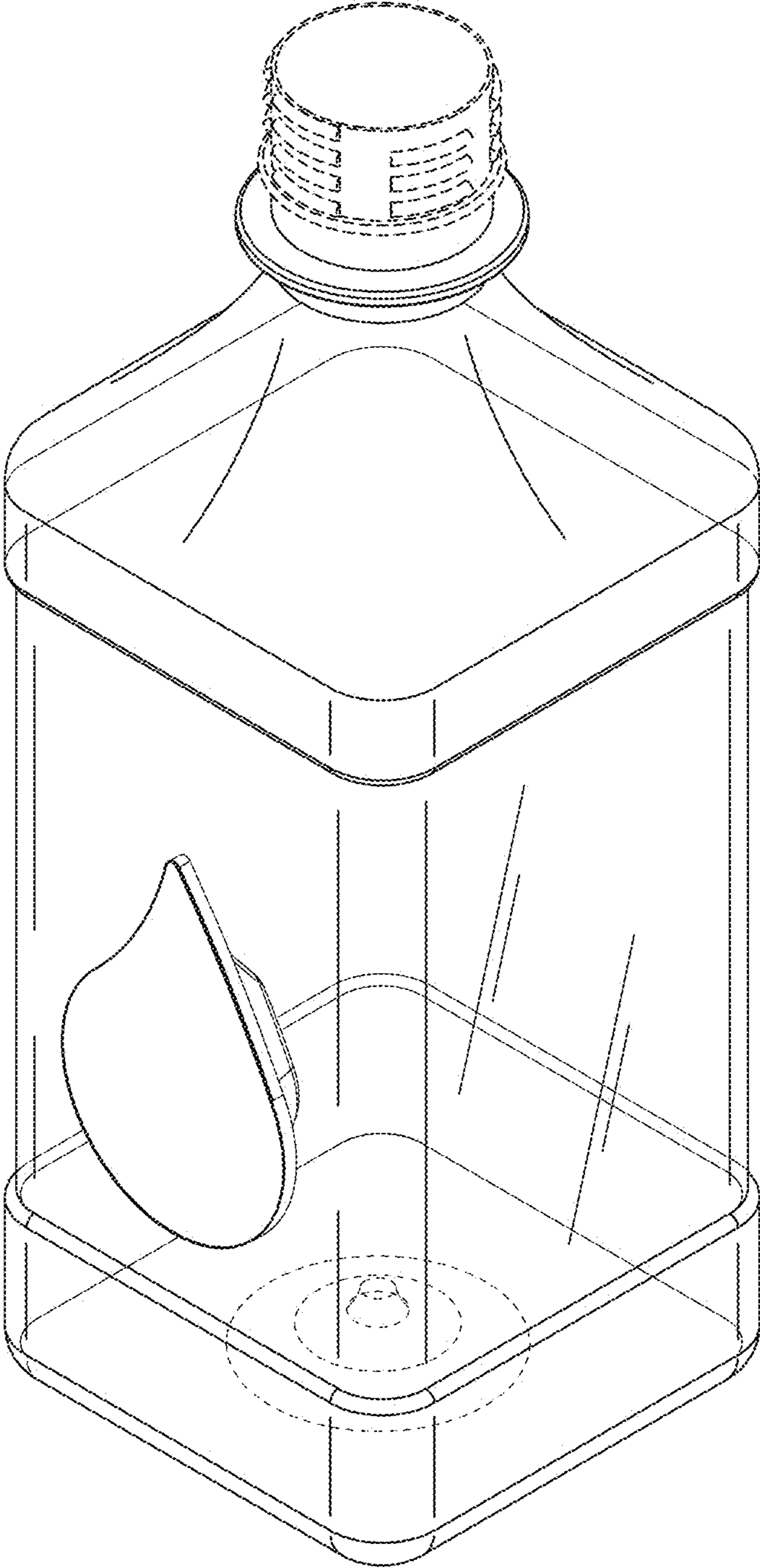


FIG. 1

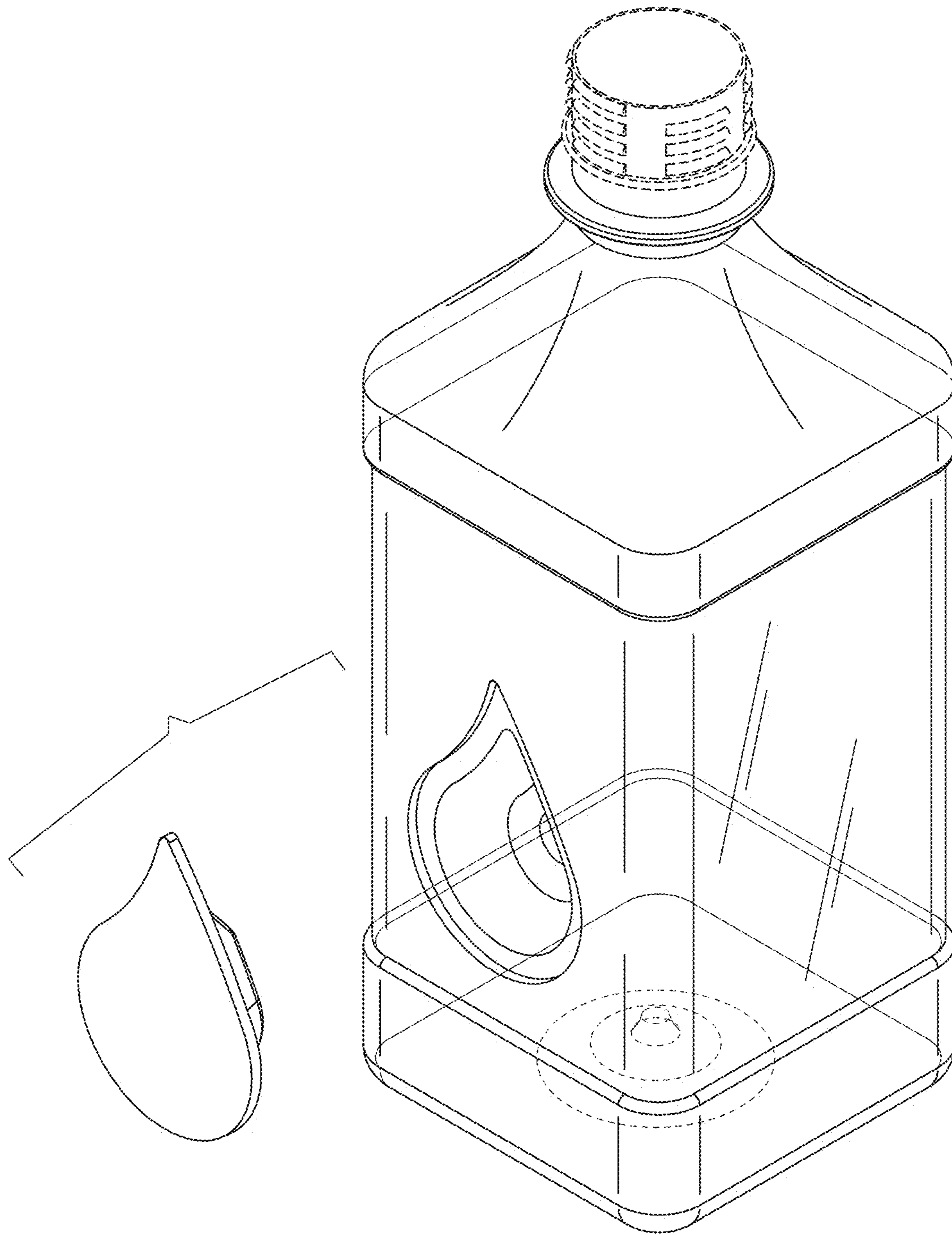


FIG. 2

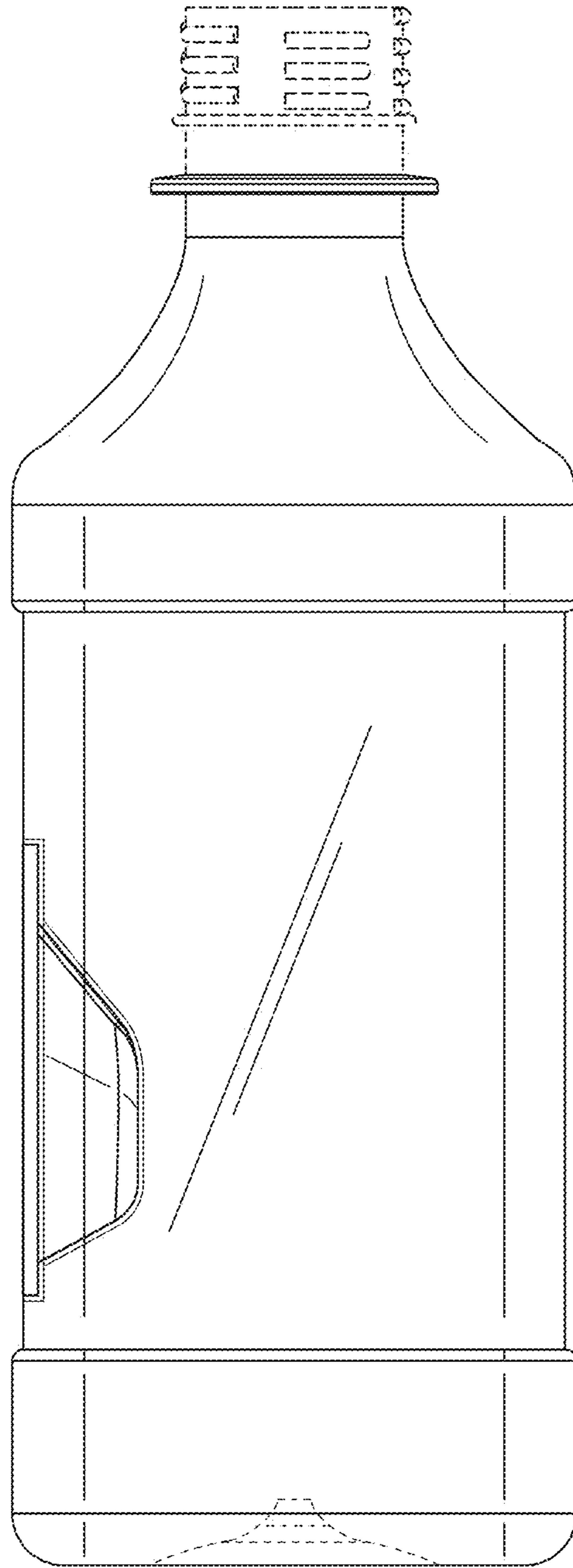


FIG. 3

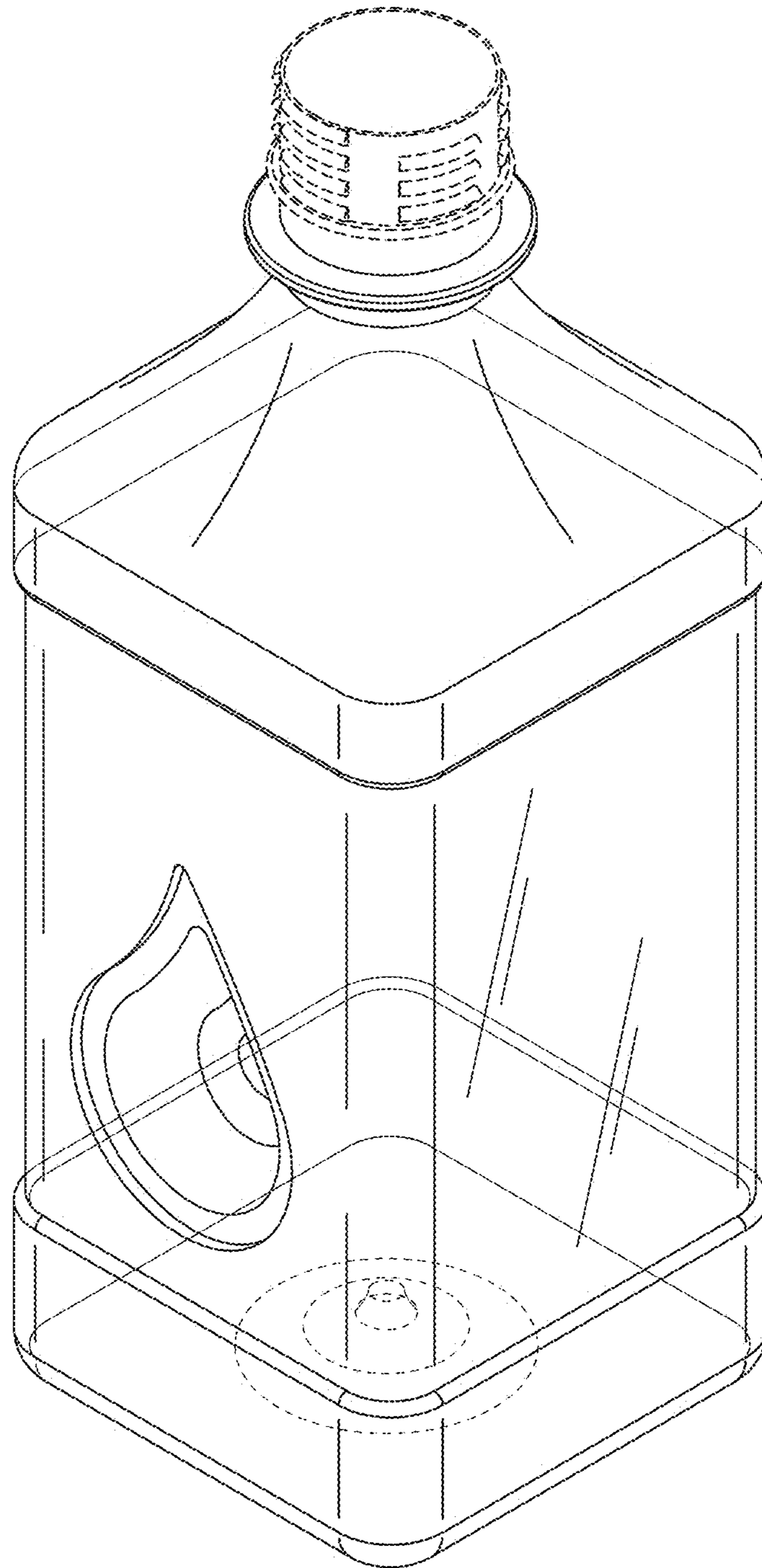


FIG. 4

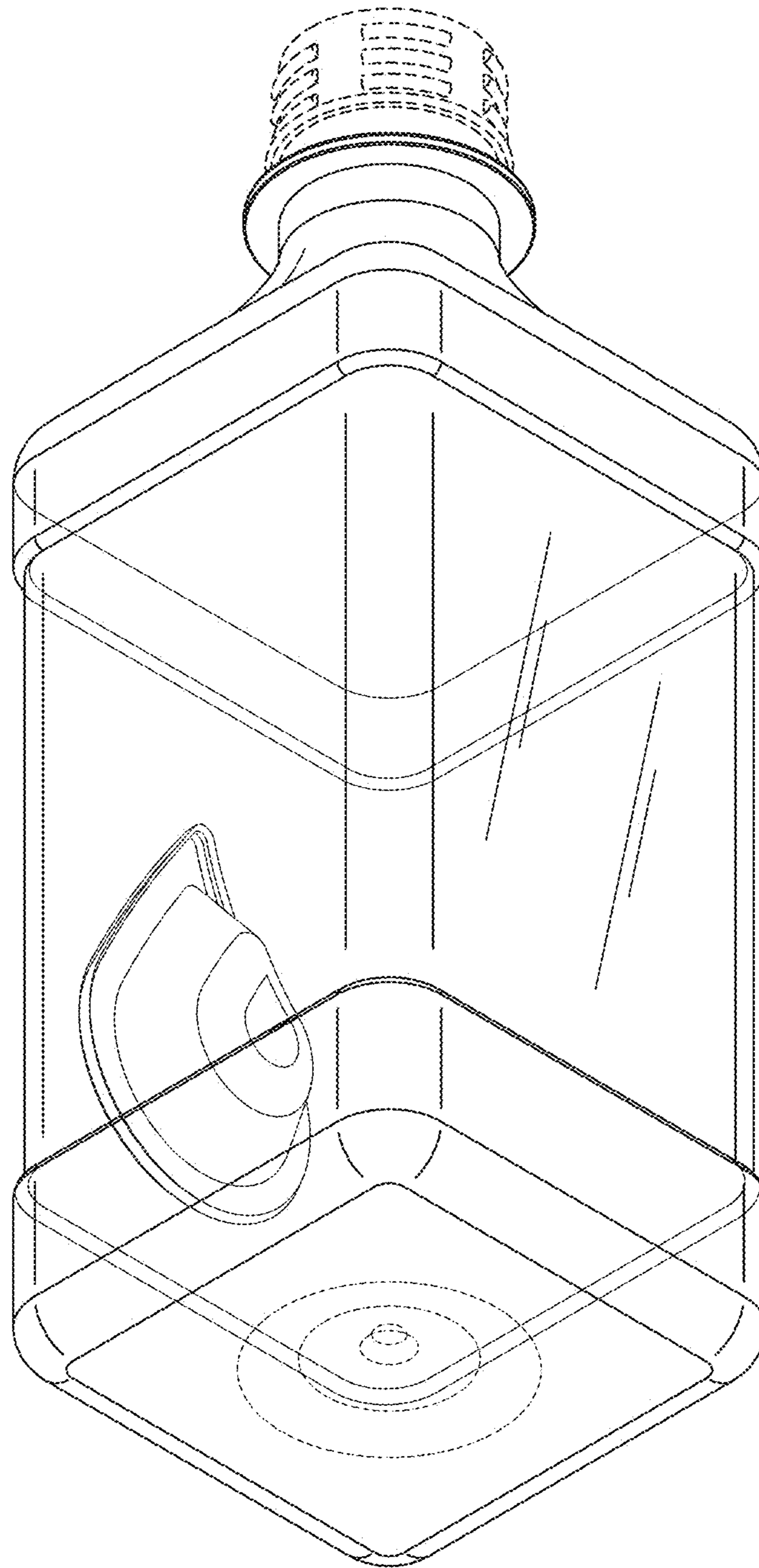


FIG. 5

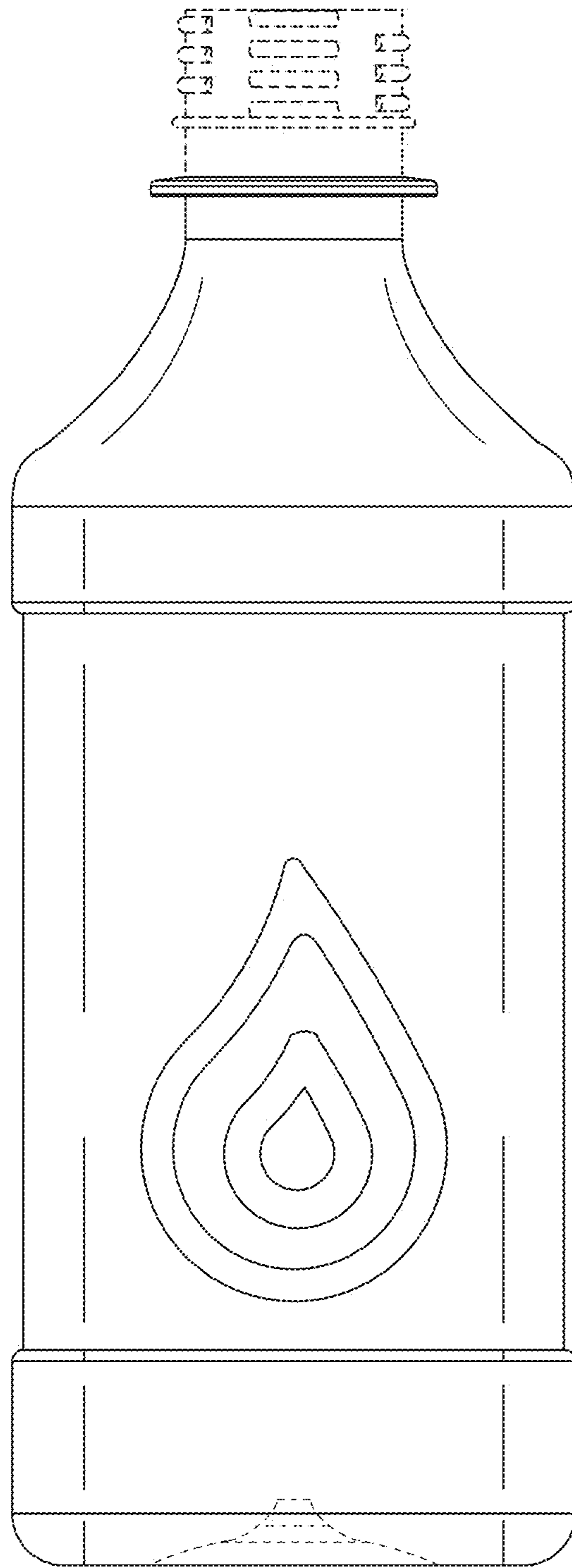


FIG. 6

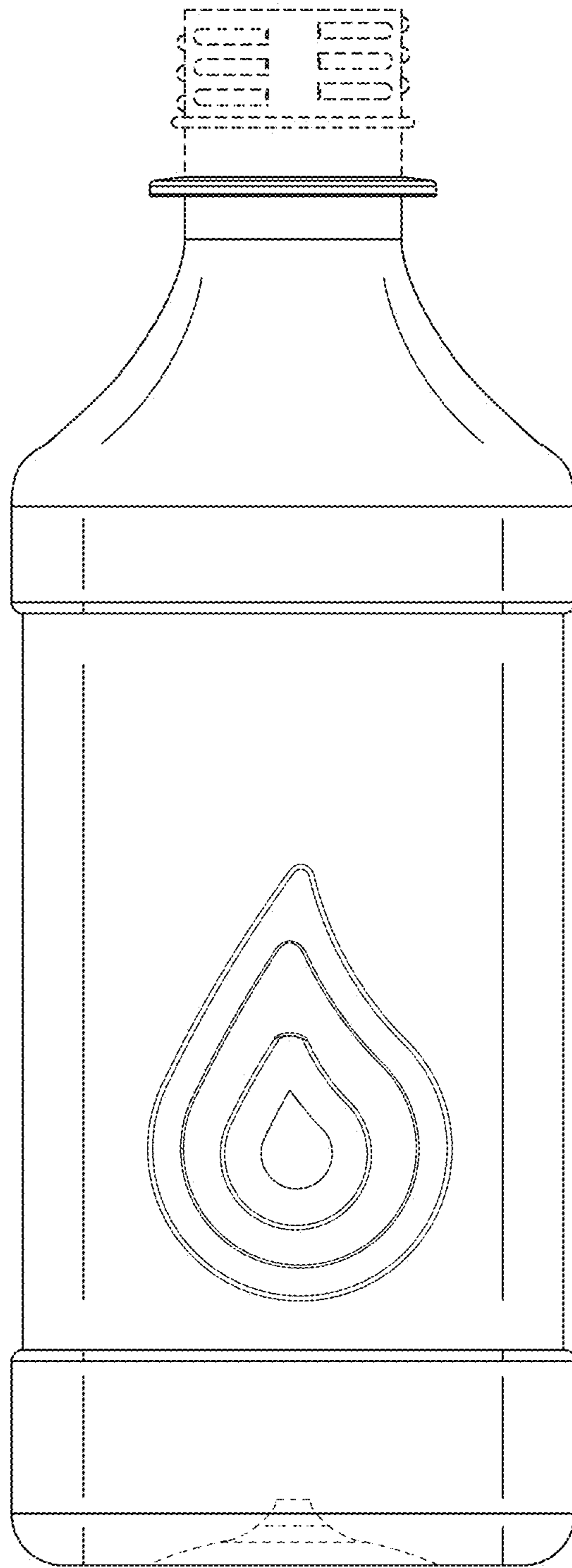


FIG. 7

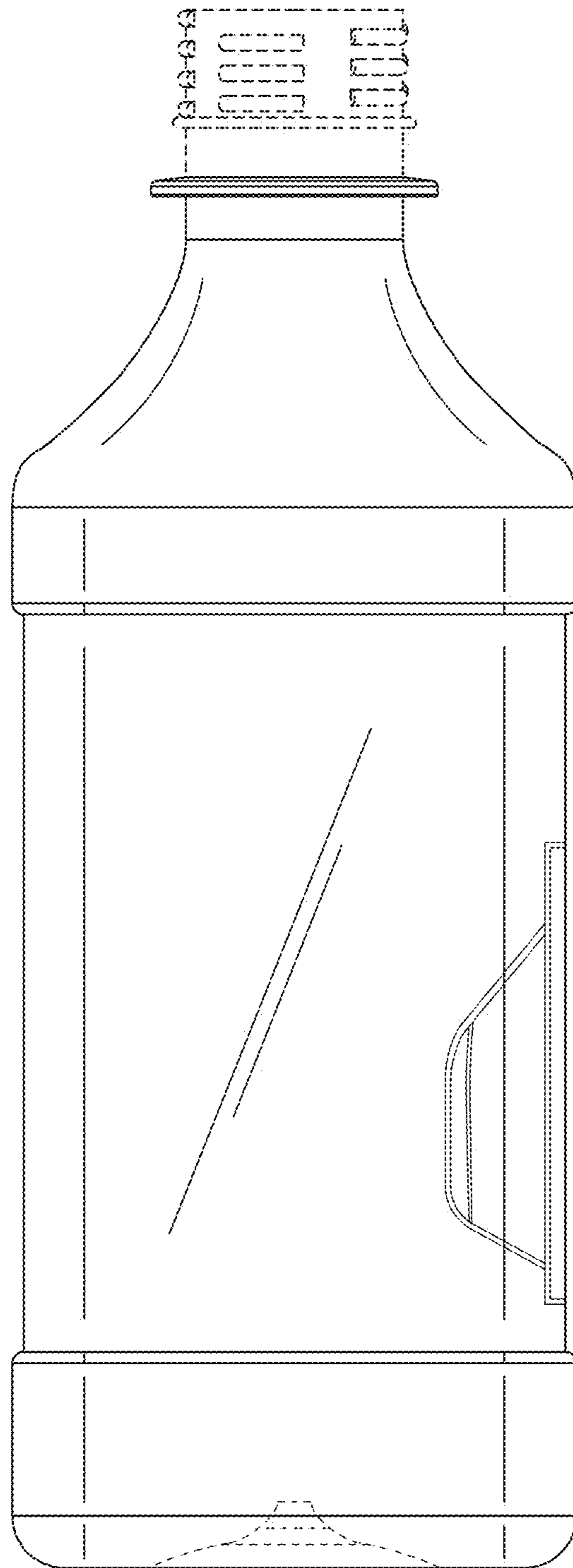


FIG. 8

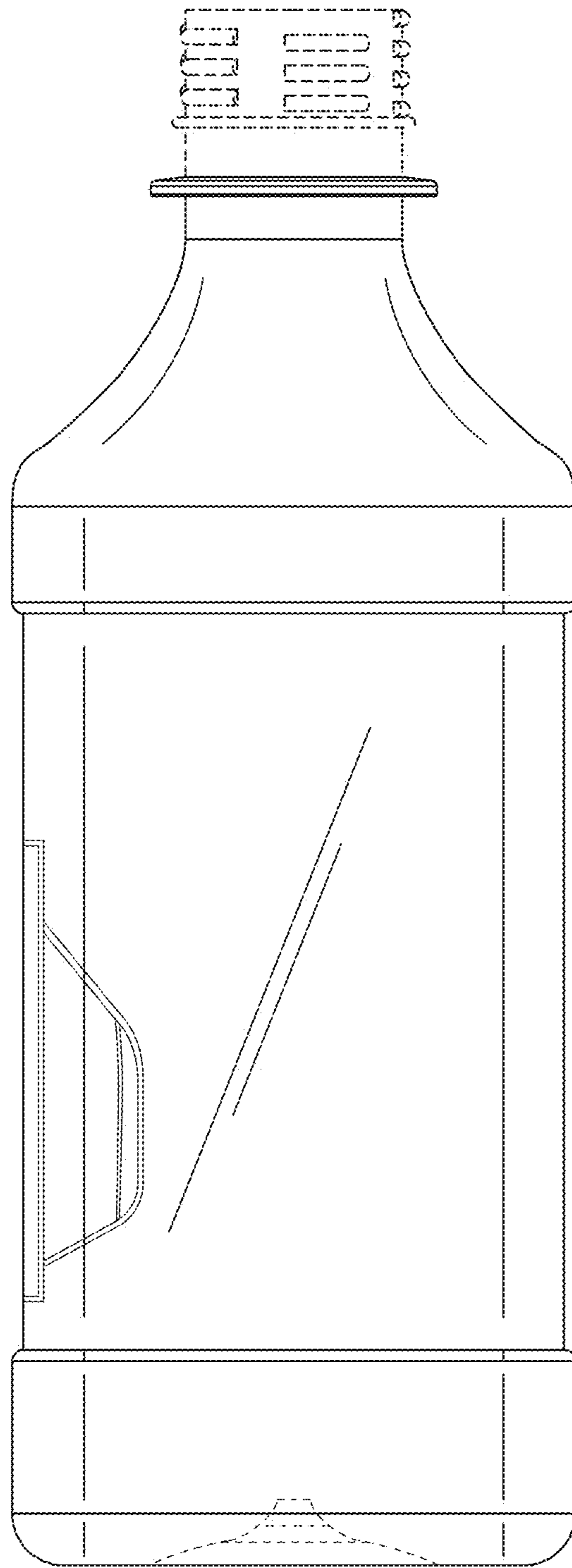


FIG. 9

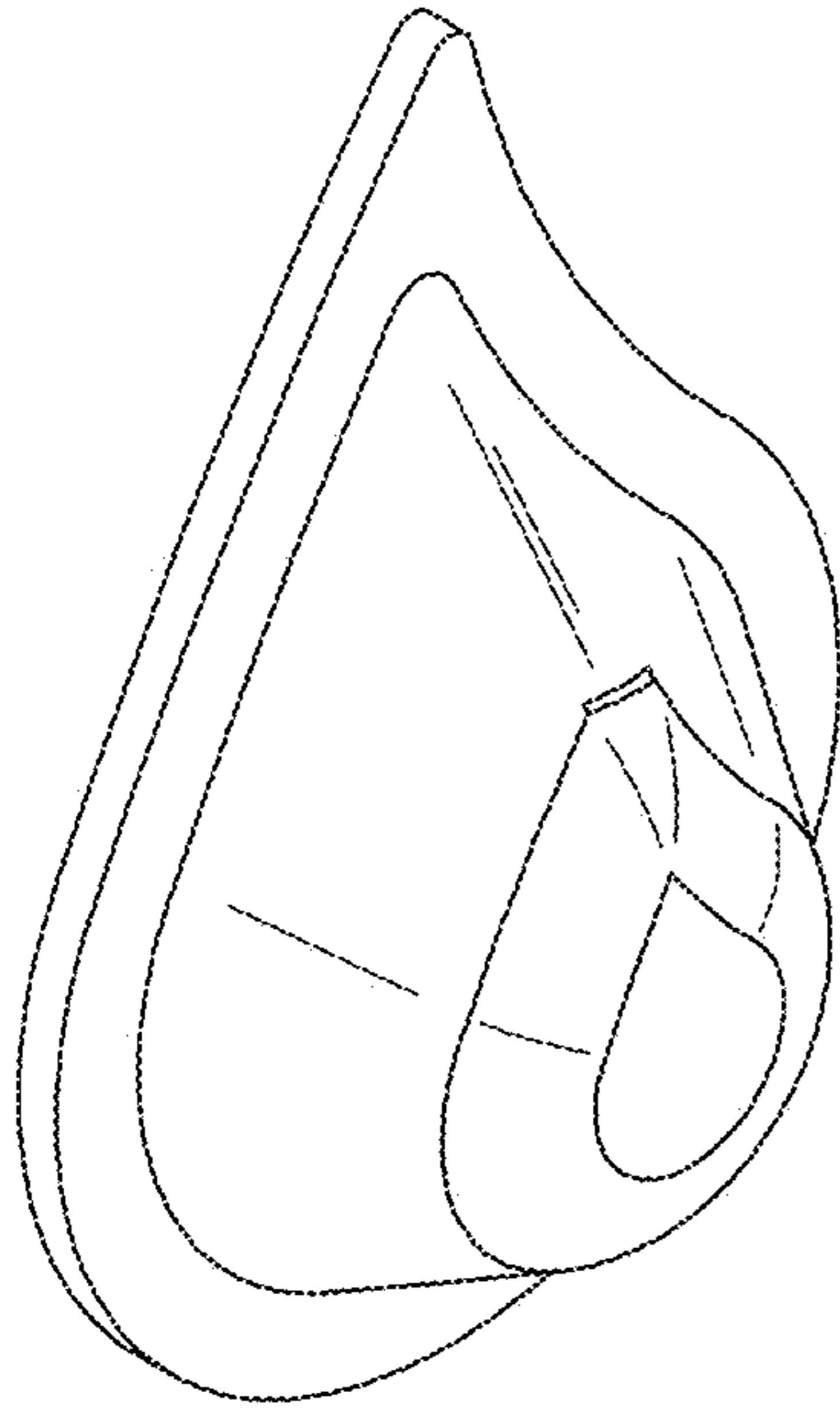


FIG. 10

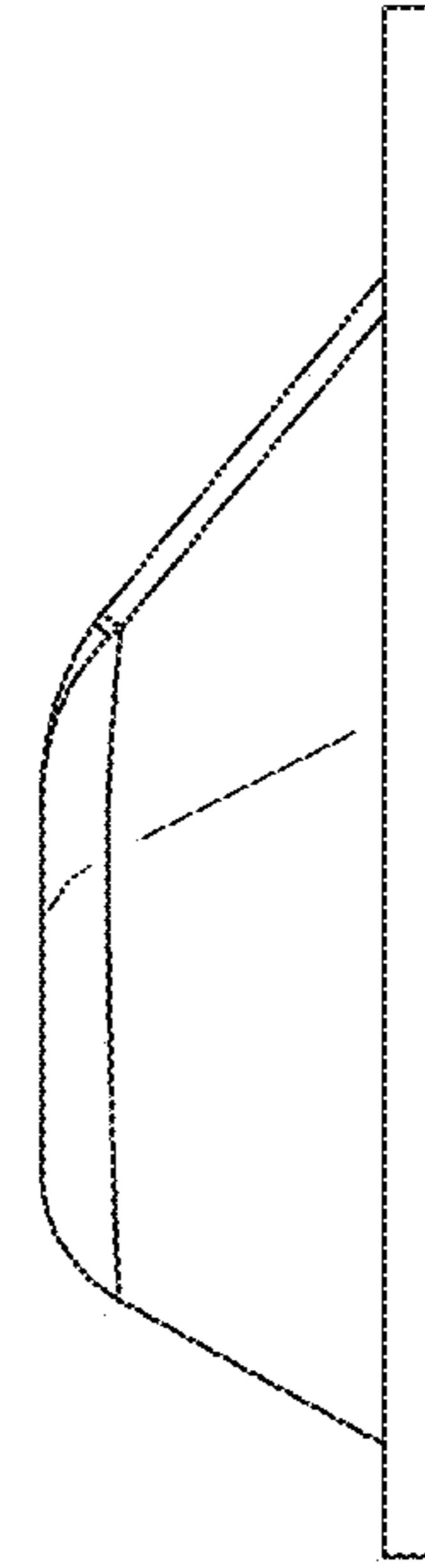


FIG. 11

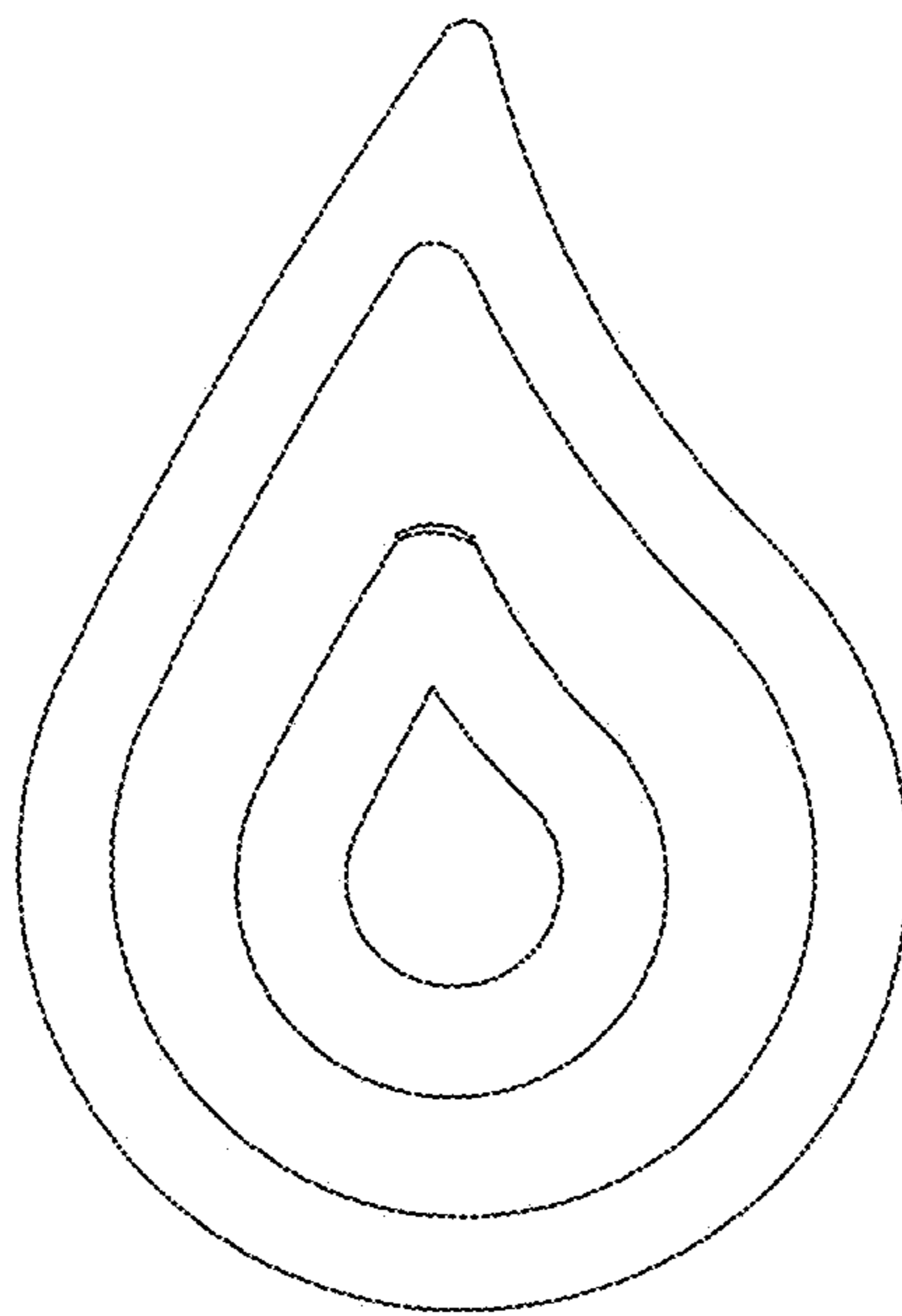


FIG. 12