



US00D988868S

(12) **United States Design Patent**  
**Fowler et al.**

(10) **Patent No.:** **US D988,868 S**  
(45) **Date of Patent:** **\*\* Jun. 13, 2023**

(54) **PACKAGING FOR ORAL CARE DEVICE**

FOREIGN PATENT DOCUMENTS

(71) Applicant: **Sage Products, LLC**, Cary, IL (US)

GB 9006852877-0001 \* 9/2019  
GB 9006852877-0002 \* 9/2019

(72) Inventors: **Paul M. Fowler**, Cary, IL (US);  
**Ronald C. Cagle**, Crystal Lake, IL (US);  
**Theresa L. Sebastian**, Cary, IL (US);  
**Timothy J. Rapinchuk**, Cary, IL (US);  
**Catherine S. Boulos**, Cary, IL (US);  
**Abhi R. Patel**, Lake Barrington, IL (US)

(Continued)

OTHER PUBLICATIONS

(73) Assignee: **Sage Products, LLC**, Cary, IL (US)

International Search Report and Written Opinion for International Application No. PCT/US2019/065042, dated Apr. 7, 2020, 11 pages.

(\*\*) Term: **15 Years**

*Primary Examiner* — Wendy L Arminio

(21) Appl. No.: **29/683,163**

(74) *Attorney, Agent, or Firm* — Foley & Lardner LLP

(22) Filed: **Mar. 11, 2019**

(51) **LOC (14) Cl.** ..... **09-07**

(52) **U.S. Cl.**  
USPC ..... **D9/456; D9/457**

(58) **Field of Classification Search**  
USPC ..... D9/414, 415, 434, 443, 455–457, 499,  
D9/501, 722, 737, 748; D19/113, 114,  
D19/135; D6/682.3, 682.4; D24/227  
CPC .... A61J 1/00; A61J 1/16; A61J 1/2055; A61J  
1/2065; A61M 5/002; A61M 2209/06;  
B65D 73/00; B65D 73/0014; B65D  
75/00; B65D 2201/00

See application file for complete search history.

(56) **References Cited**

U.S. PATENT DOCUMENTS

670,023 A \* 3/1901 Jump ..... A24F 13/22  
D19/135  
884,256 A \* 4/1908 Addie ..... A47G 33/105  
D19/135  
1,283,403 A 10/1918 Eustis

(Continued)

**CLAIM**

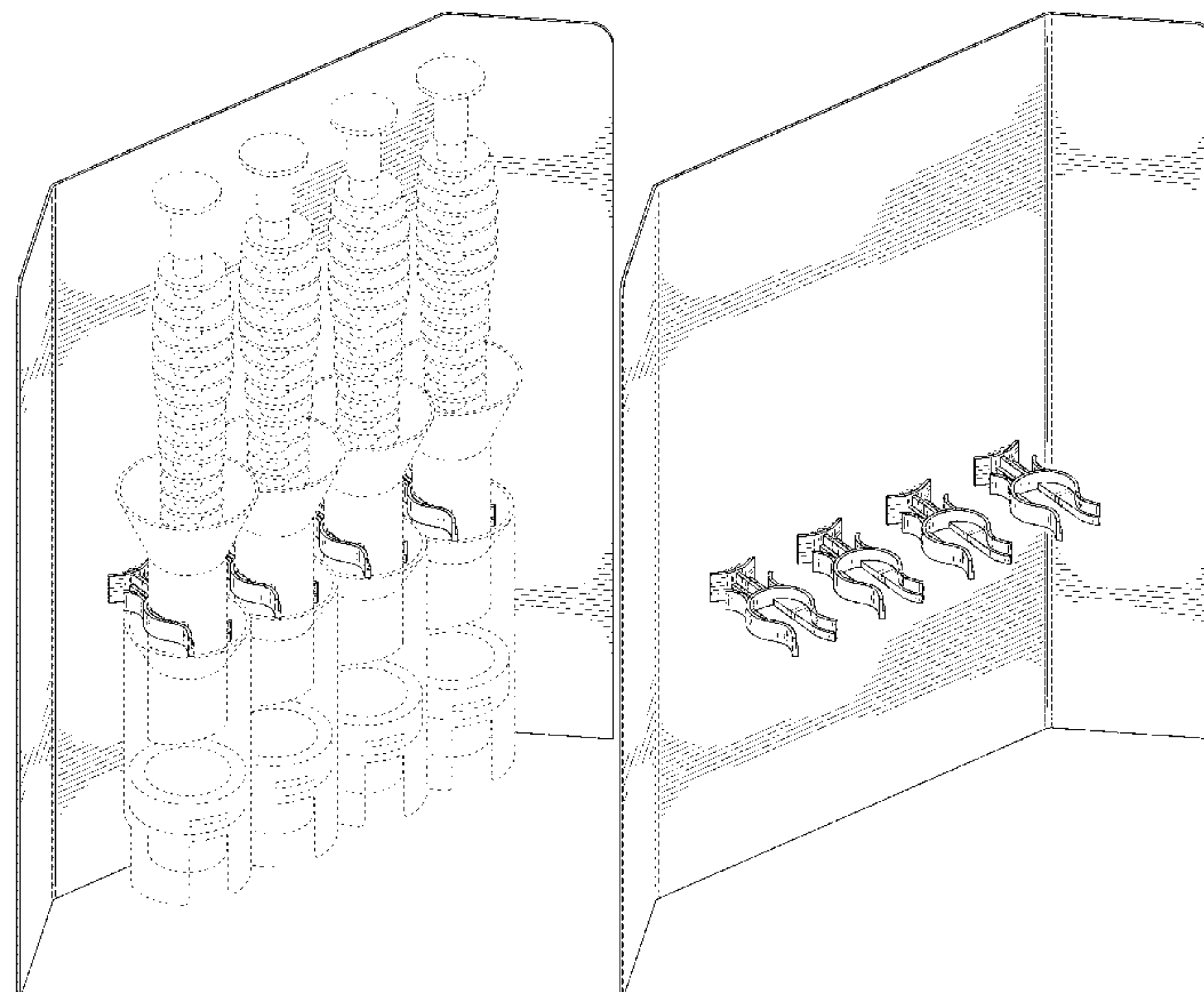
(57) **CLAIM**  
We claim the ornamental design for a packaging for oral care device as, shown and described.

**DESCRIPTION**

FIG. 1 is a front, left perspective view a packaging for oral care device, shown in a first environment of use;  
FIG. 2 is a front, left perspective view of the packaging for oral care device of FIG. 1 with environmental structure removed;  
FIG. 3 is a front view thereof;  
FIG. 4 is a rear view thereof;  
FIG. 5 is a right view thereof;  
FIG. 6 is a left view thereof;  
FIG. 7 is a top view thereof;  
FIG. 8 is a bottom view thereof; and,  
FIG. 9 is a front, left perspective view of the packaging for oral care device of FIG. 1, shown in a second environment of use.

The broken lines in FIGS. 1 and 9 illustrate environmental structure and form no part of the claimed design. All other broken lines depict portions of the packaging for oral care device that form no part of the claimed design.

**1 Claim, 7 Drawing Sheets**



(56)

References Cited

U.S. PATENT DOCUMENTS

1,705,050 A \* 3/1929 Taylor ..... B65D 73/0014  
206/478  
1,723,944 A \* 8/1929 Marsh ..... A47F 5/112  
40/539  
1,770,478 A 7/1930 Burnett  
2,084,540 A 6/1937 Smith  
2,161,854 A \* 6/1939 Copell ..... G09F 5/042  
248/315  
2,186,600 A 1/1940 Behrens  
D143,320 S \* 12/1945 Horton ..... D6/682.4  
3,002,722 A 10/1961 Cote  
3,275,274 A \* 9/1966 Hutcheon ..... G09F 5/042  
248/222.12  
3,286,835 A \* 11/1966 Crane, Jr. .... B65D 73/005  
53/399  
3,822,783 A \* 7/1974 Mortensen ..... B65D 73/0014  
206/443  
3,927,762 A \* 12/1975 Zdarsky ..... B65D 75/28  
206/229  
4,317,605 A 3/1982 Alissandratos  
4,328,894 A \* 5/1982 Edell ..... B65D 73/0014  
206/481  
4,570,652 A 2/1986 Chavez  
D294,805 S 3/1988 Boyer  
4,750,652 A 6/1988 Grant  
D332,401 S \* 1/1993 Araujo, Jr. .... D9/455  
5,288,047 A \* 2/1994 Pan ..... F21S 4/10  
248/229.26  
5,445,631 A 8/1995 Uchida  
D363,017 S \* 10/1995 Noble ..... D9/434  
D363,211 S \* 10/1995 Noble ..... D9/434  
5,862,913 A \* 1/1999 Chou ..... A47F 5/0823  
206/378  
D429,461 S \* 8/2000 Rowlay ..... D9/415  
6,213,777 B1 4/2001 Seitzinger  
6,283,311 B1 \* 9/2001 Lee ..... B25H 3/04  
211/70.6  
6,311,837 B1 11/2001 Blaustein et al.  
D510,822 S \* 10/2005 Spiers ..... D6/682.3  
D512,908 S 12/2005 Proudfit  
D513,382 S 1/2006 Proudfit  
D520,356 S 5/2006 Kellar et al.  
D523,610 S \* 6/2006 Kissell ..... D9/456  
D571,207 S \* 6/2008 Rozanski ..... D9/457  
D571,208 S \* 6/2008 Rozanski ..... D9/457  
D597,829 S 8/2009 Ma et al.  
D614,489 S \* 4/2010 Doster ..... D9/456  
D630,528 S 1/2011 Dombrowski et al.  
8,091,702 B1 1/2012 Keip  
D654,288 S \* 2/2012 Lecoutre ..... D6/682.3  
D654,724 S \* 2/2012 Lecoutre ..... D6/682.3  
D660,690 S \* 5/2012 Mixides ..... D8/396  
D666,903 S 9/2012 Mcintosh et al.  
D681,444 S 5/2013 Oja et al.  
D691,884 S 10/2013 Kwon  
D698,639 S \* 2/2014 Fletcher ..... D9/432  
8,734,420 B2 5/2014 Ariagno et al.  
D715,641 S 10/2014 Spinos  
D752,427 S \* 3/2016 Moskovich ..... D9/415  
D767,393 S 9/2016 Giorgis  
9,456,956 B1 \* 10/2016 Webster ..... A61L 2/081  
D803,678 S 11/2017 Chen et al.  
D803,679 S 11/2017 Chen et al.  
9,833,605 B2 12/2017 Sanders et al.  
D806,530 S \* 1/2018 Mack ..... D9/415  
D816,478 S \* 5/2018 Moskovich ..... D9/415  
D826,706 S \* 8/2018 Moskovich ..... D9/415

10,058,649 B2 8/2018 Le Maner  
D829,544 S 10/2018 Kocon et al.  
D853,226 S \* 7/2019 Geringer ..... D8/394  
D853,831 S \* 7/2019 Geringer ..... D8/394  
D901,312 S 11/2020 Fowler et al.  
D954,551 S \* 6/2022 Moak ..... D9/456  
2002/0121449 A1 9/2002 Bowie  
2004/0240928 A1 12/2004 Trocino  
2006/0048791 A1 3/2006 Mehes et al.  
2006/0208142 A1 9/2006 Adams  
2011/0297574 A1 \* 12/2011 Lecoutre ..... B65D 73/0014  
206/461  
2013/0140310 A1 6/2013 Lien et al.  
2013/0340185 A1 12/2013 Patel et al.  
2015/0014492 A1 \* 1/2015 Sharpe ..... A61J 1/16  
248/312  
2017/0311707 A1 11/2017 Beck et al.  
2018/0071506 A1 3/2018 Sanders et al.  
2018/0132605 A1 5/2018 Fowler et al.  
2018/0161491 A1 6/2018 Sanders et al.  
2018/0161492 A1 6/2018 Sanders et al.  
2022/0015526 A1 \* 1/2022 Fowler ..... A46B 11/001  
2022/0177211 A1 \* 6/2022 Beck ..... B65D 75/527

FOREIGN PATENT DOCUMENTS

GB 9006852877-0003 \* 9/2019  
JP 08-052210 A 2/1996  
JP 3059317 U 7/1999  
JP 2010-013186 A 1/2010  
KR 10-2009-0133048 A 12/2009  
KR 10-2010-0050871 A 5/2010  
WO WO-2018/090050 5/2018  
WO WO-2020/118235 6/2020

OTHER PUBLICATIONS

Invitation to Pay Additional Fees for International Application No. PCT/US2019/065042, dated Feb. 10, 2020, 2 pages.  
PCT Collaborative Search and Examination Pilot, Peer ISA China National Intellectual Property, International Search Report and Written Opinion for International Application No. PCT/US2019/065042, completed Feb. 28, 2020, 13 pages.  
PCT Collaborative Search and Examination Pilot, Peer ISA European Patent Office, International Search Report and Written Opinion for International Application No. PCT/US2019/065042, completed Feb. 18, 2020, 10 pages.  
PCT Collaborative Search and Examination Pilot, Peer ISA Japan Patent Office, International Search Report and Written Opinion for International Application No. PCT/US2019/065042, completed Mar. 4, 2020, 9 pages.  
PCT Collaborative Search and Examination Pilot, Peer ISA Korean Intellectual Property Office, International Search Report and Written Opinion for International Application No. PCT/US2019/065042, completed Mar. 6, 2020, 16 pages.  
Translation of KR 10-2009-0133048 A; provided by International Searching Authority for International Search Report and Written Opinion of International Application No. PCT/US2019/065042, dated Apr. 7, 2020, 4 pages.  
Pharmacy Counter Space Cardboard Display Box For Medicine Drugs. [online] Published on Sep. 22, 2018. Retrieved Jan. 3, 2020 from URL: <http://www.cardboardpalletdisplay.com/sale-6122822-pharmacy-counter-space-cardboard-display-box-for-medicine-drugs.html>.  
Sage Self Oral Care Toothbrush. [online] Published on Nov. 30, 2019. Retrieved Jan. 3, 2020 from URL: <https://www.stryker.com/us/en/sage/products/sage-self-oral-care.html>.

\* cited by examiner



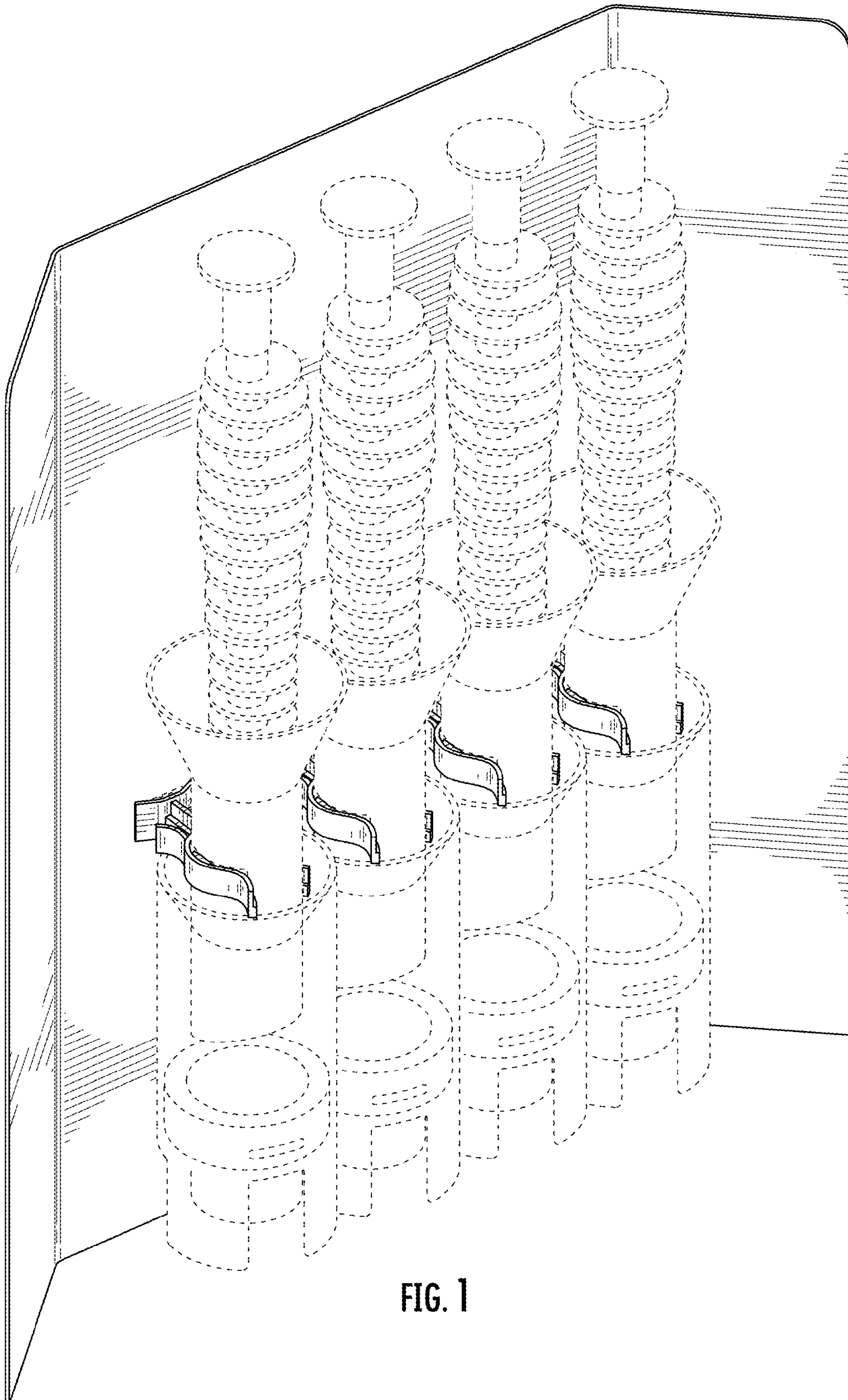


FIG. 1

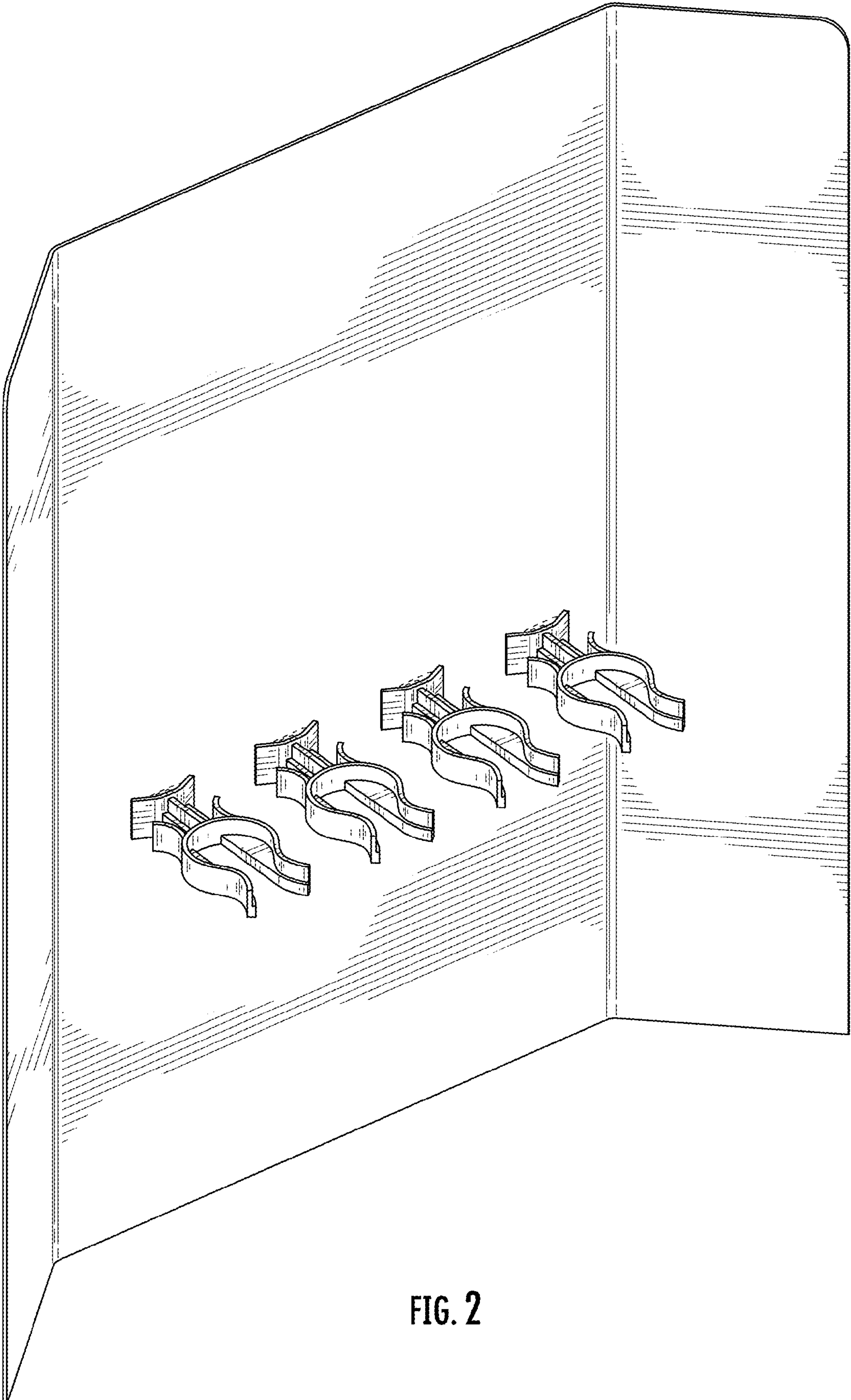


FIG. 2

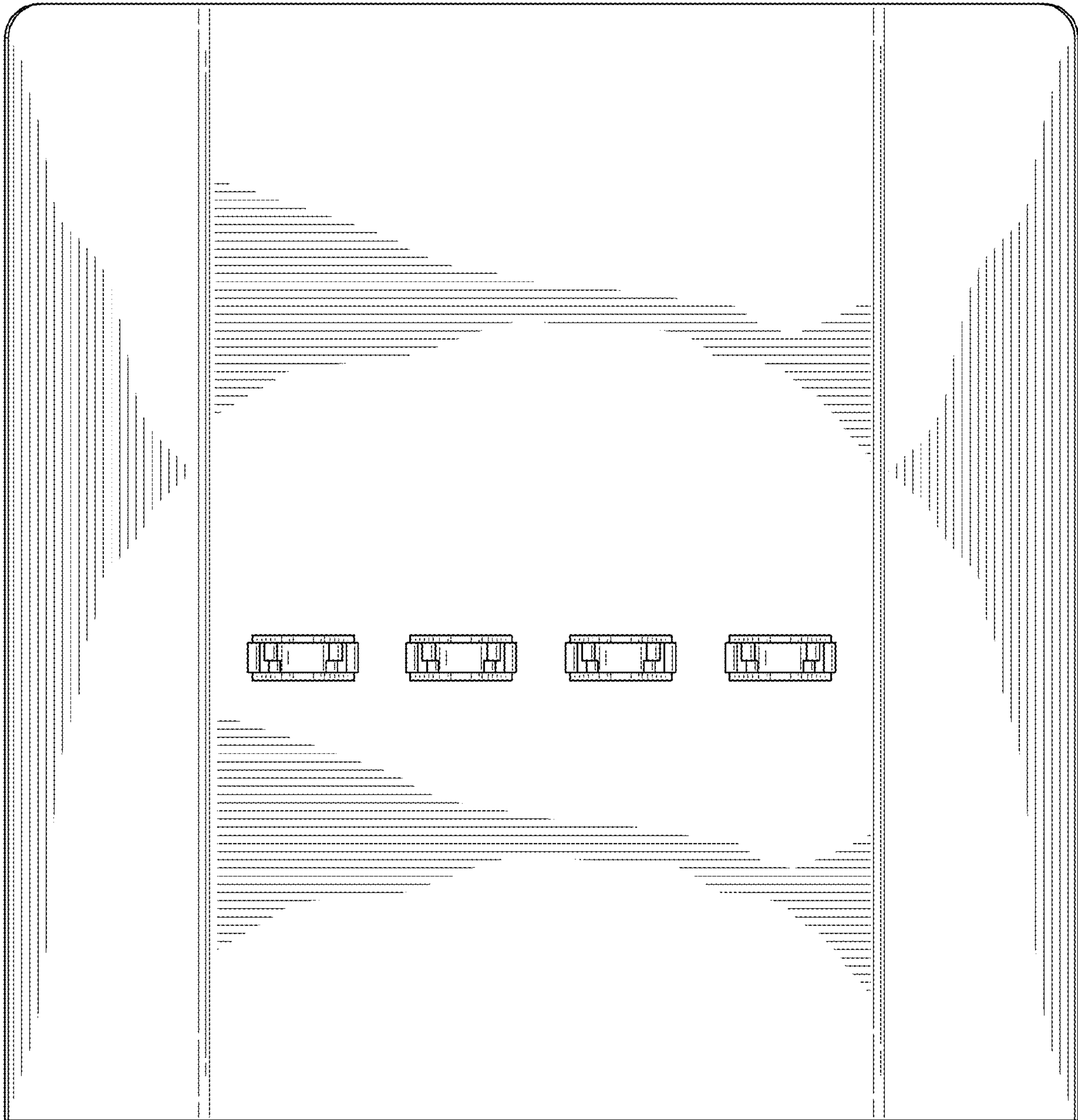


FIG. 3

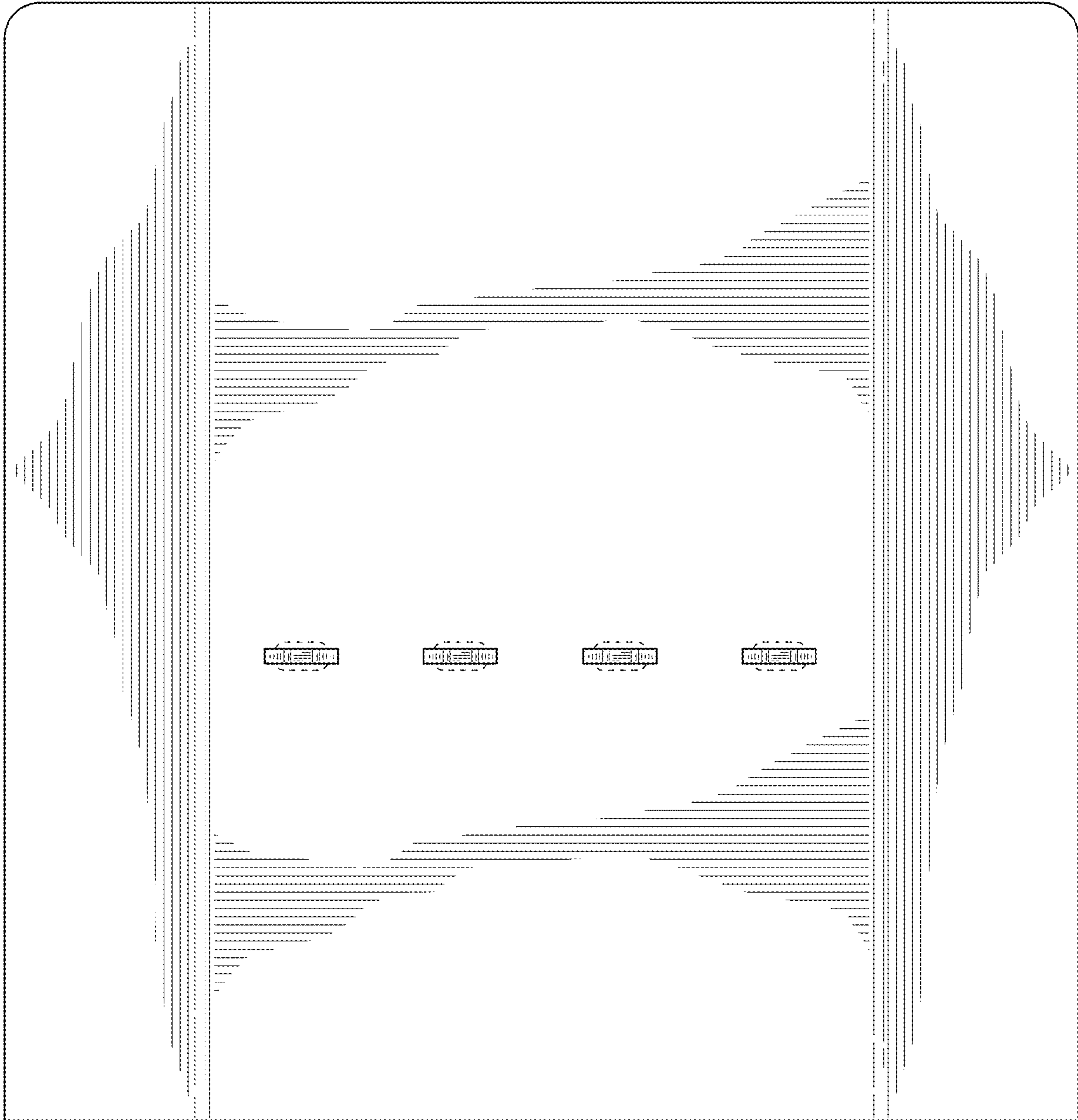


FIG. 4



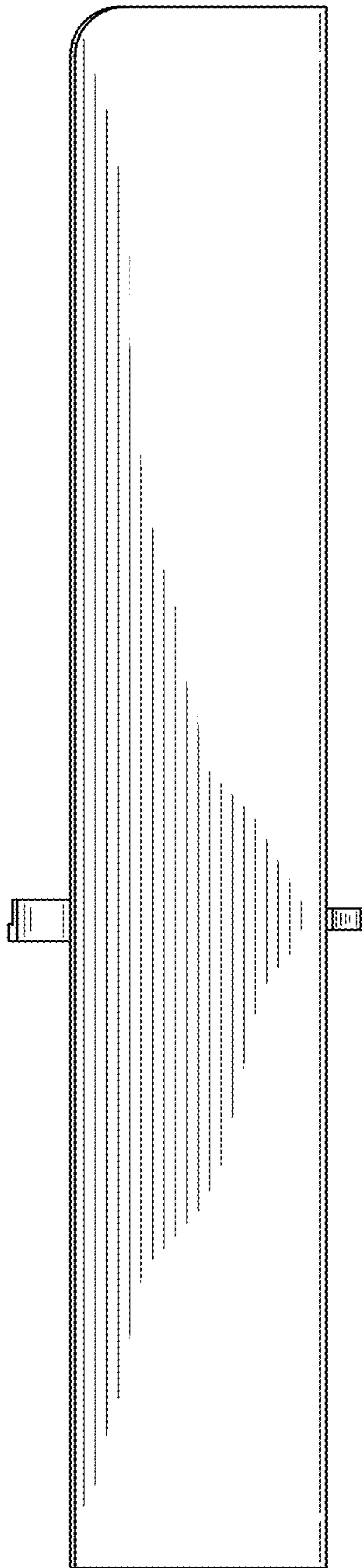


FIG. 5

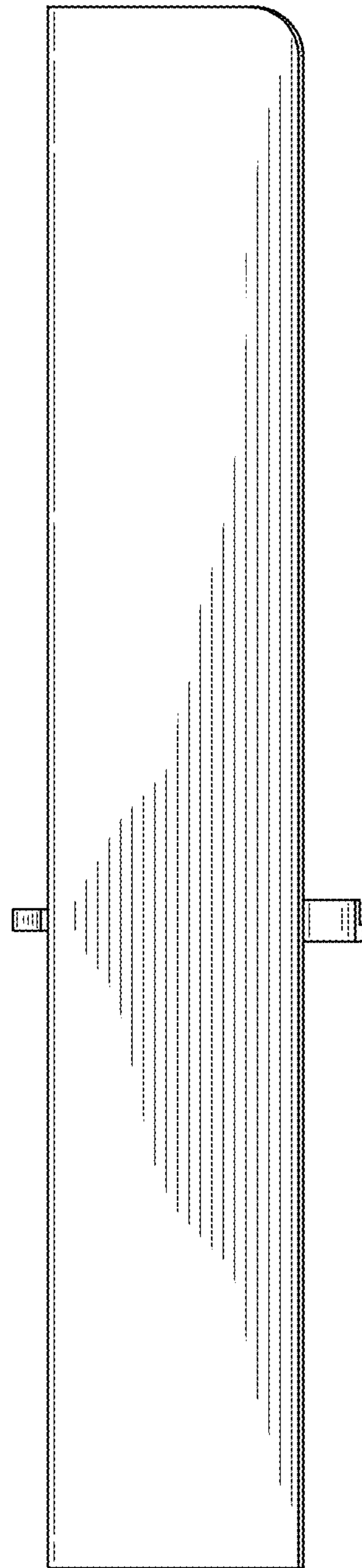


FIG. 6

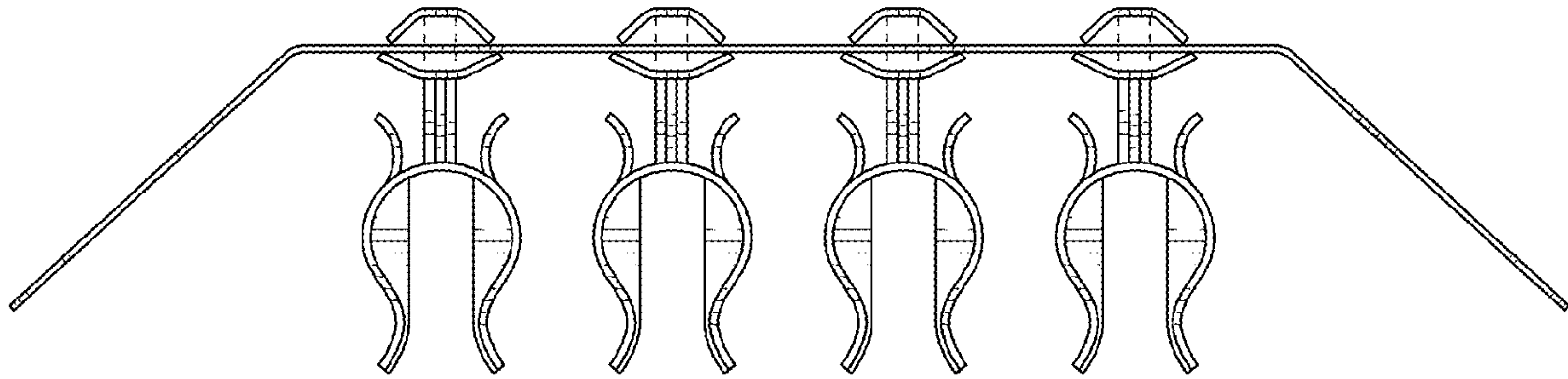


FIG. 7

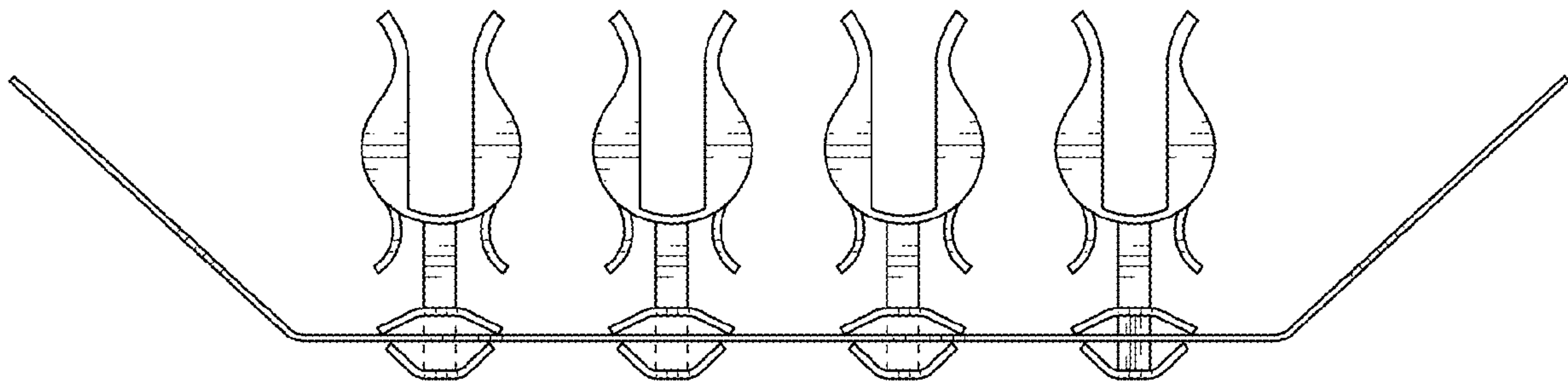


FIG. 8



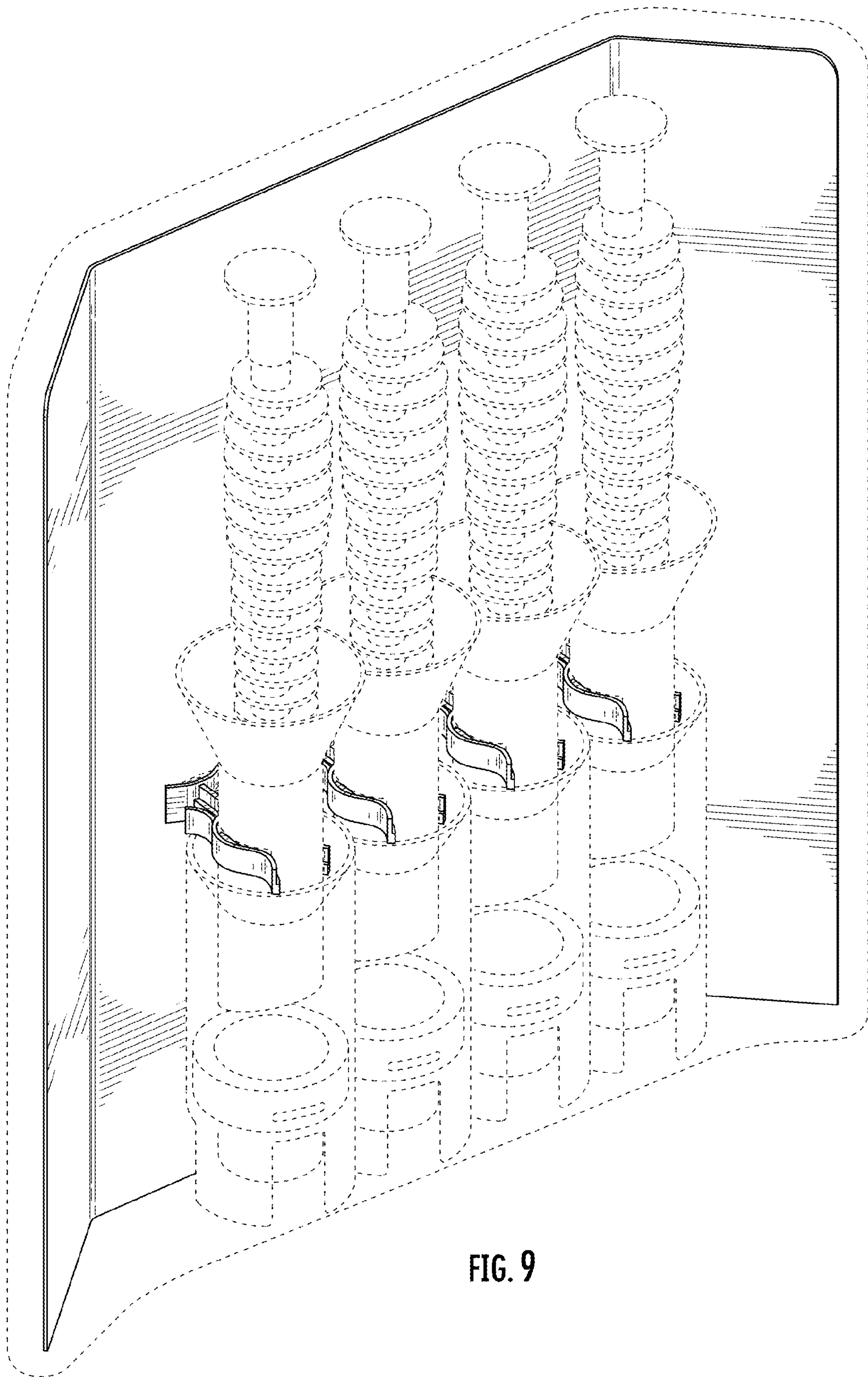


FIG. 9