



US00D988866S

(12) **United States Design Patent**  
**Katano et al.**

(10) **Patent No.:** **US D988,866 S**  
(45) **Date of Patent:** **\*\* Jun. 13, 2023**

(54) **PUMP DISPENSER FOR BOTTLE**

(71) Applicant: **KAO CORPORATION**, Tokyo (JP)

(72) Inventors: **Machiko Katano**, Tokyo (JP);  
**Tomohisa Hirata**, Tokyo (JP)

(73) Assignee: **KAO CORPORATION**, Tokyo (JP)

(\*\*) Term: **15 Years**

(21) Appl. No.: **29/678,853**

(22) Filed: **Jan. 31, 2019**

(30) **Foreign Application Priority Data**

Jul. 31, 2018 (JP) ..... 2018-016748

Jul. 31, 2018 (JP) ..... 2018-016753

(51) **LOC (14) Cl.** ..... **09-07**

(52) **U.S. Cl.**  
USPC ..... **D9/448**

(58) **Field of Classification Search**

USPC ..... D9/434, 435, 436, 438-440, 445,  
D9/447-450, 452, 454, 455, 499, 516,  
D9/682, 685, 690, 692; D7/387, 392,  
D7/392.1, 396.6, 398, 560, 565, 566, 570,  
D7/584; D28/91.1; D6/542, 543;  
D23/208, 224, 249, 259

CPC ... A47K 5/12; B05B 11/3061; B05B 11/3087;  
B65D 47/00; B65D 47/2018; F04B 9/14;  
F16K 21/00; F16K 21/02

See application file for complete search history.

(56) **References Cited**

**U.S. PATENT DOCUMENTS**

D32,681 S \* 5/1900 Morgenthaler ..... D9/434  
1,226,722 A \* 5/1917 Sullivan ..... B65D 83/06  
D7/668  
1,425,100 A \* 8/1922 Newton ..... B67C 11/066  
141/335

(Continued)

**FOREIGN PATENT DOCUMENTS**

CA 155510 \* 12/2014  
CN 305159416 \* 5/2019

(Continued)

**OTHER PUBLICATIONS**

Notice issued Dec. 7, 2018 in Japanese Design Application No. 2018-016748 with English Translation.

(Continued)

*Primary Examiner* — Wendy L Arminio

(74) *Attorney, Agent, or Firm* — Oblon, McClelland,  
Maier & Neustadt, L.L.P.

(57) **CLAIM**

The ornamental design for a pump dispenser for bottle, as shown and described.

**DESCRIPTION**

FIG. 1 is a front, right side, top perspective view a pump dispenser for bottle showing our new design thereof;

FIG. 2 is a front elevational view thereof;

FIG. 3 is a rear elevational view thereof;

FIG. 4 is a left side view thereof;

FIG. 5 is a right side view thereof;

FIG. 6 is a top plan view thereof;

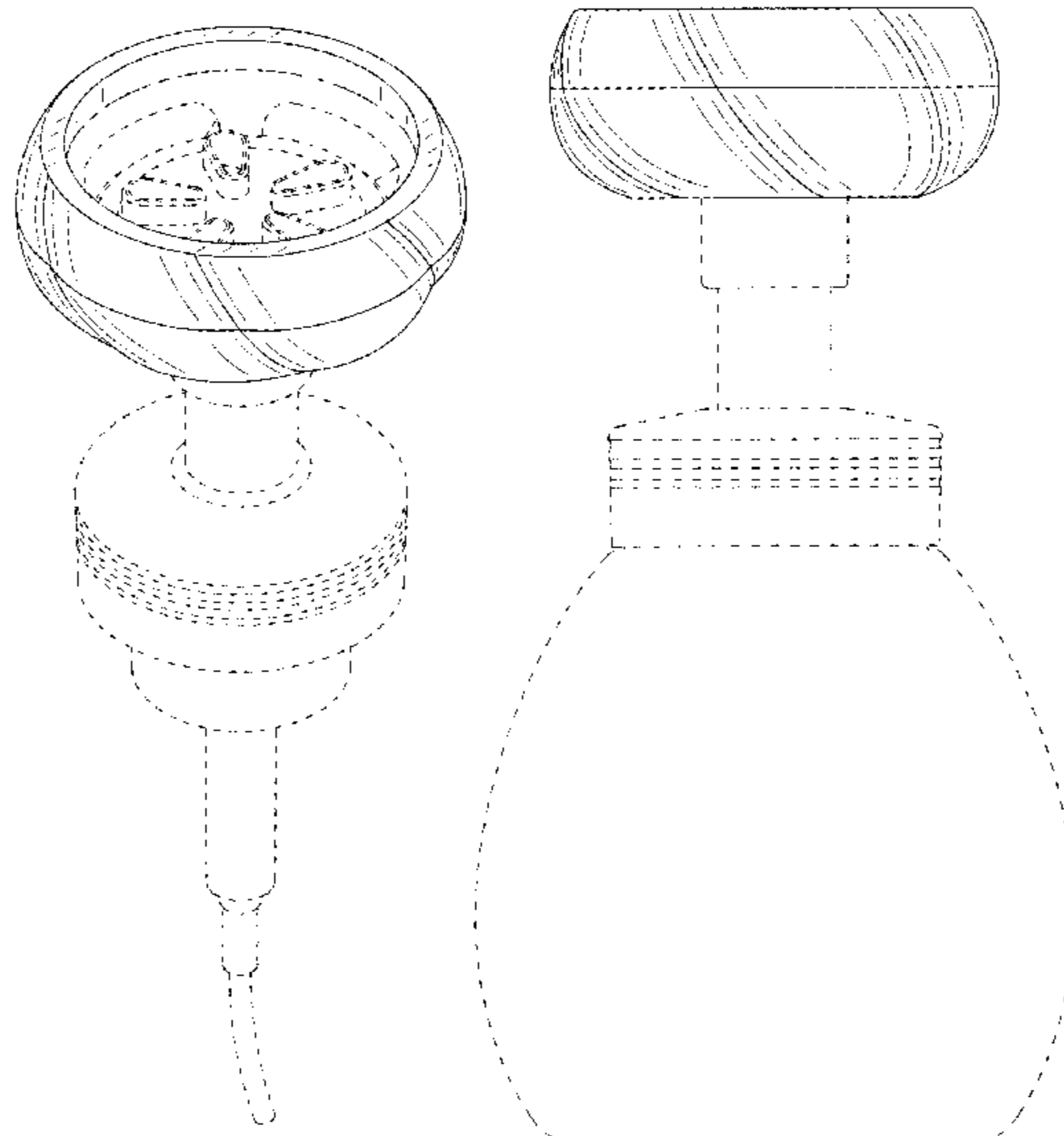
FIG. 7 is a bottom plan view thereof;

FIG. 8 is an enlarged top plan view thereof; and,

FIG. 9 is a another front elevational view of the pump dispenser for bottle of FIG. 1 shown in a position of use in a bottle drawn in broken lines.

The dash-dash broken lines illustrating a bottle depict environmental structure and form no part of the claimed design. The dot-dash-dot broken line illustrates the boundary of the claim and forms no part thereof. All other broken lines depict portions of the pump dispenser for bottle that form no part of the claimed design.

**1 Claim, 8 Drawing Sheets**



(56)

**References Cited**

U.S. PATENT DOCUMENTS

D69,462 S \* 2/1926 Sears ..... D9/552  
 2,778,521 A \* 1/1957 Cagle ..... B65D 47/0895  
 D186,569 S \* 11/1959 Greene ..... D9/440  
 D344,763 S \* 3/1994 Vitantonio ..... D9/434  
 D350,481 S \* 9/1994 DeLury ..... D9/436  
 D364,669 S \* 11/1995 Winner ..... D9/688  
 5,593,056 A \* 1/1997 Mero ..... B65D 1/0223  
 D406,065 S \* 2/1999 Cheng ..... D9/434  
 D406,761 S \* 3/1999 Garcia ..... D9/448  
 D429,111 S \* 8/2000 Busick ..... D7/397  
 D433,332 S \* 11/2000 Weber ..... D9/434  
 D448,974 S \* 10/2001 Hydak ..... D7/387  
 D457,781 S \* 5/2002 Brown ..... D7/396.1  
 D483,229 S \* 12/2003 Maier-Aichen ..... D7/584  
 D499,315 S \* 12/2004 Settele ..... D7/700  
 D536,973 S \* 2/2007 van der Heijden ..... D6/542  
 D547,657 S \* 7/2007 Tacchella ..... D9/454  
 D550,078 S \* 9/2007 Henry ..... D9/435  
 D623,516 S \* 9/2010 Sayers ..... D9/448  
 D668,151 S \* 10/2012 Abbondanzio ..... D9/435  
 D673,849 S \* 1/2013 Barbier ..... D9/429  
 D712,266 S \* 9/2014 Romer ..... D9/454  
 D801,810 S \* 11/2017 Engel ..... D9/436  
 D803,051 S \* 11/2017 Engel ..... D9/452  
 D828,761 S \* 9/2018 Chang ..... D9/700  
 D830,830 S \* 10/2018 Kunst ..... D9/516

D837,595 S \* 1/2019 Ward ..... D7/532  
 D843,215 S \* 3/2019 Steigelman ..... D9/453  
 D873,705 S \* 1/2020 Horn ..... D11/147  
 D876,186 S \* 2/2020 Marantis ..... D9/447  
 D885,908 S \* 6/2020 Dycus ..... D9/455  
 D892,422 S \* 8/2020 Cedillo ..... D34/2  
 D915,197 S \* 4/2021 Katano ..... D9/448  
 D931,726 S \* 9/2021 Katano ..... D9/448  
 2009/0223963 A1 \* 9/2009 Bisio ..... B65D 75/5883  
 220/304

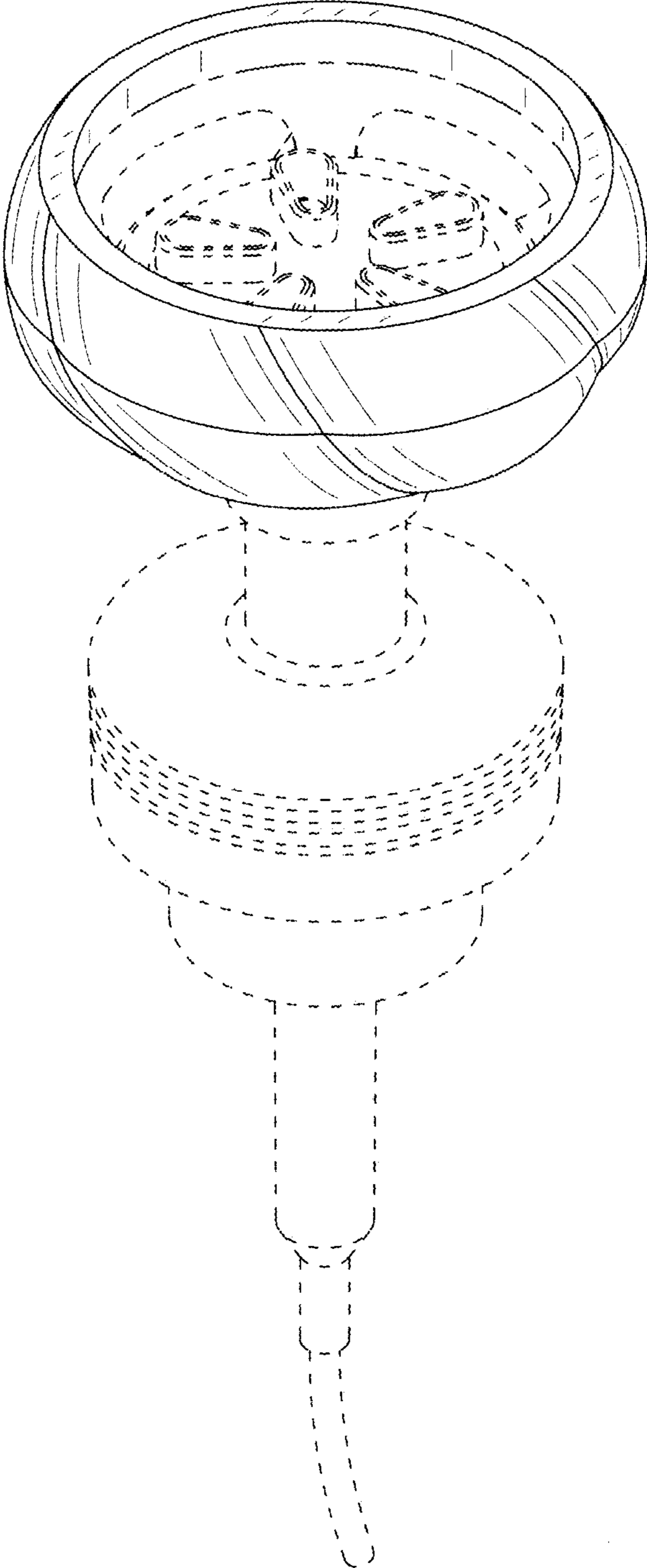
FOREIGN PATENT DOCUMENTS

JP	1582176	7/2017
JP	2020015539 A *	1/2020
TW	D103606 S	3/2005
TW	D195390 S	1/2019
TW	D196998 S	4/2019

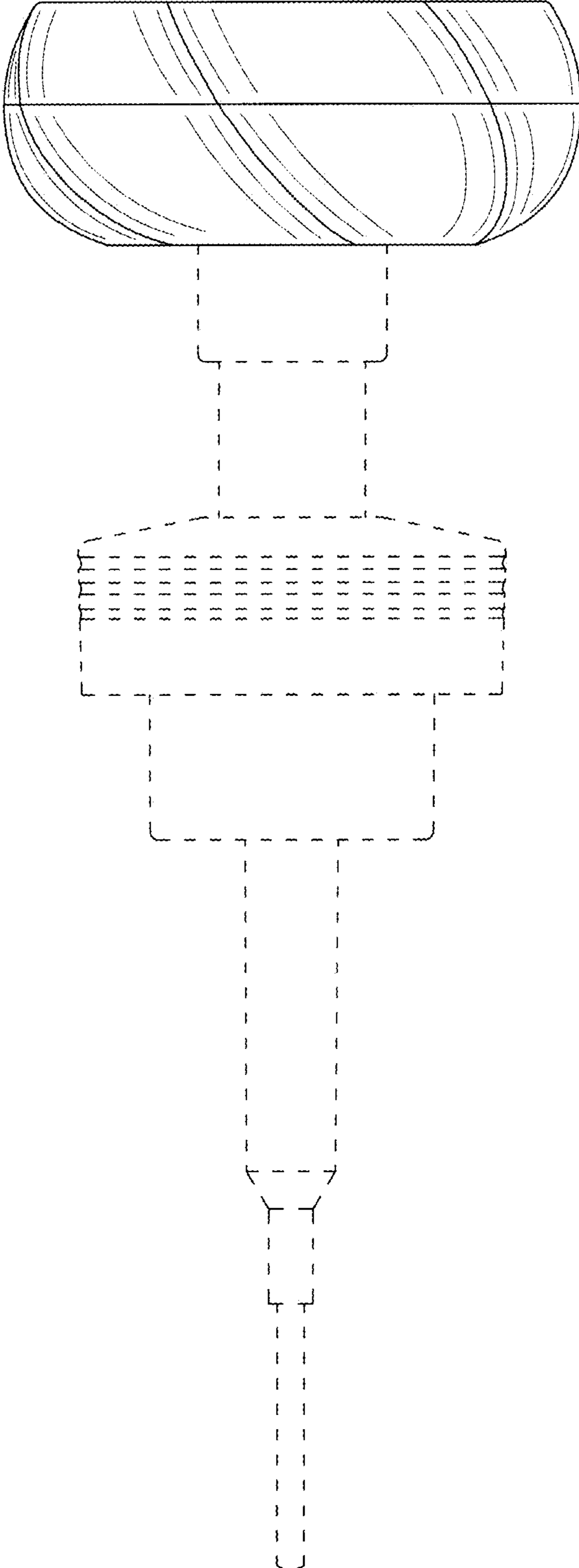
OTHER PUBLICATIONS

Notice issued Feb. 1, 2019 in corresponding Japanese Design Application No. 2018-016753 (with English Translation), 4 pages.  
 Taiwanese Office Action and Search Report dated Sep. 3, 2019, in Design Application No. 108300707D01, 5 pages (with English Translation of Category of Cited Documents).  
 Taiwanese Office Action and Search Report dated Sep. 3, 2019, in Design Application No. 108300707, 5 pages (with English Translation of Category of Cited Documents).

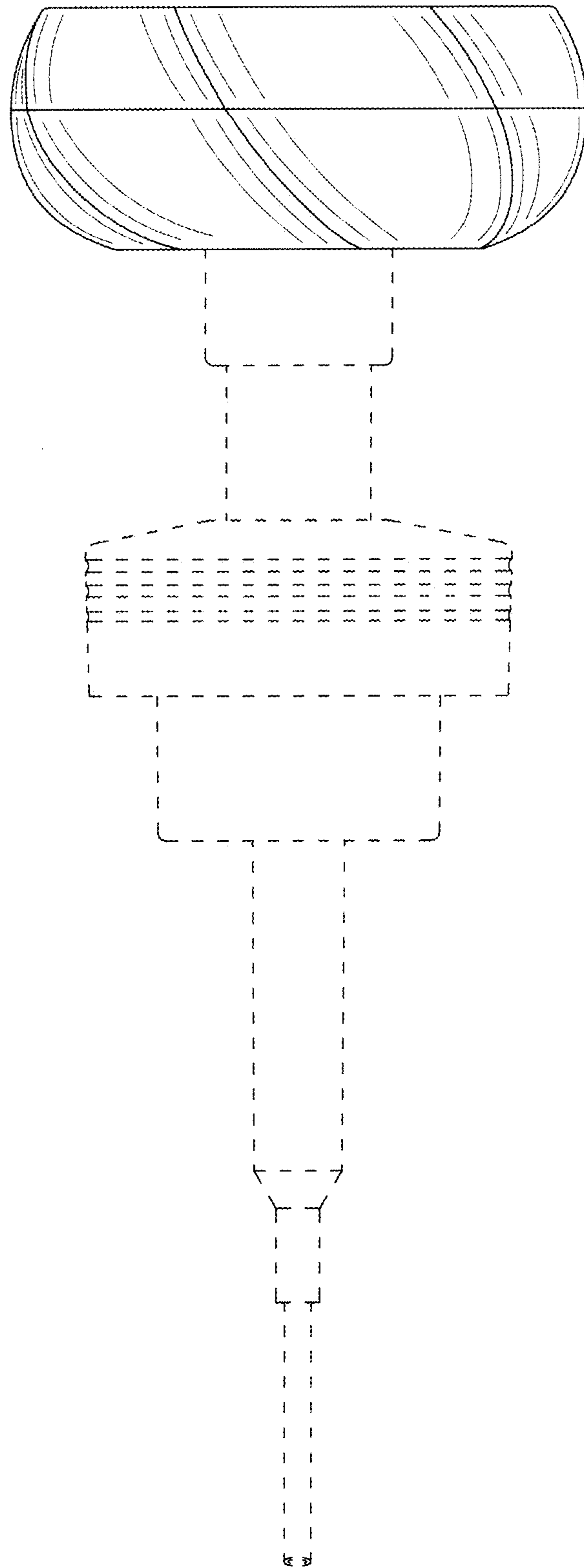
\* cited by examiner



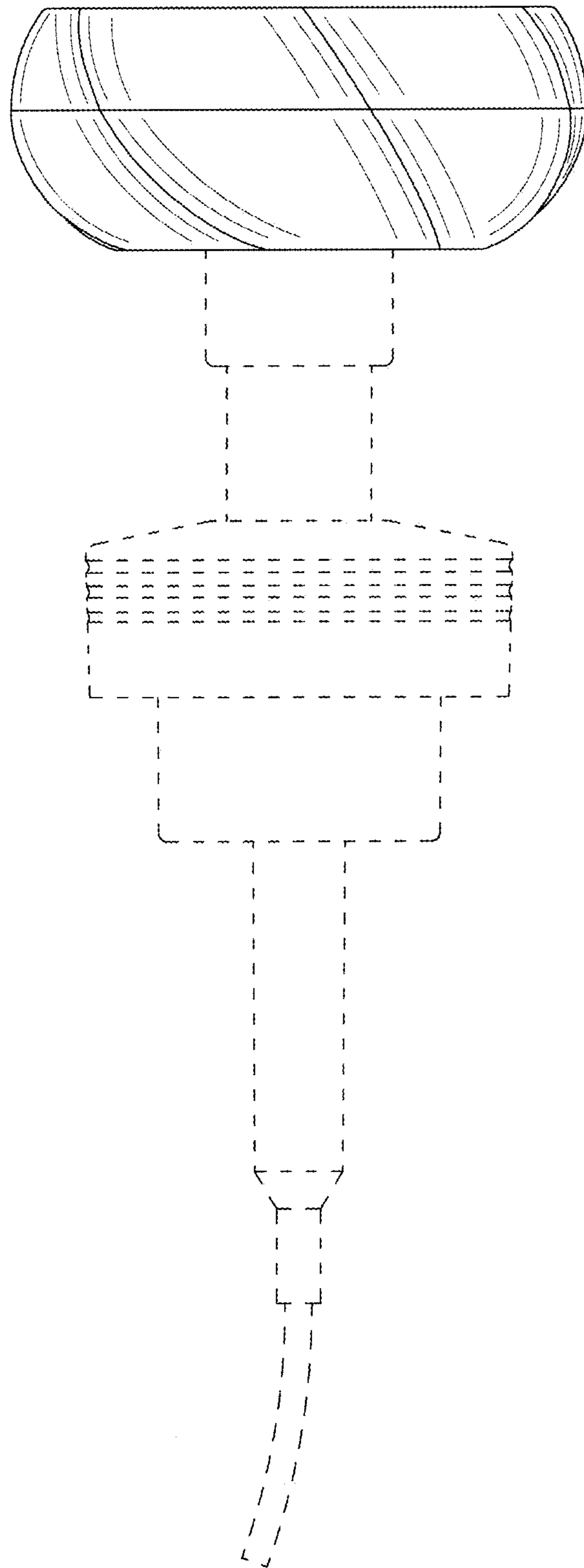
**FIG. 1**



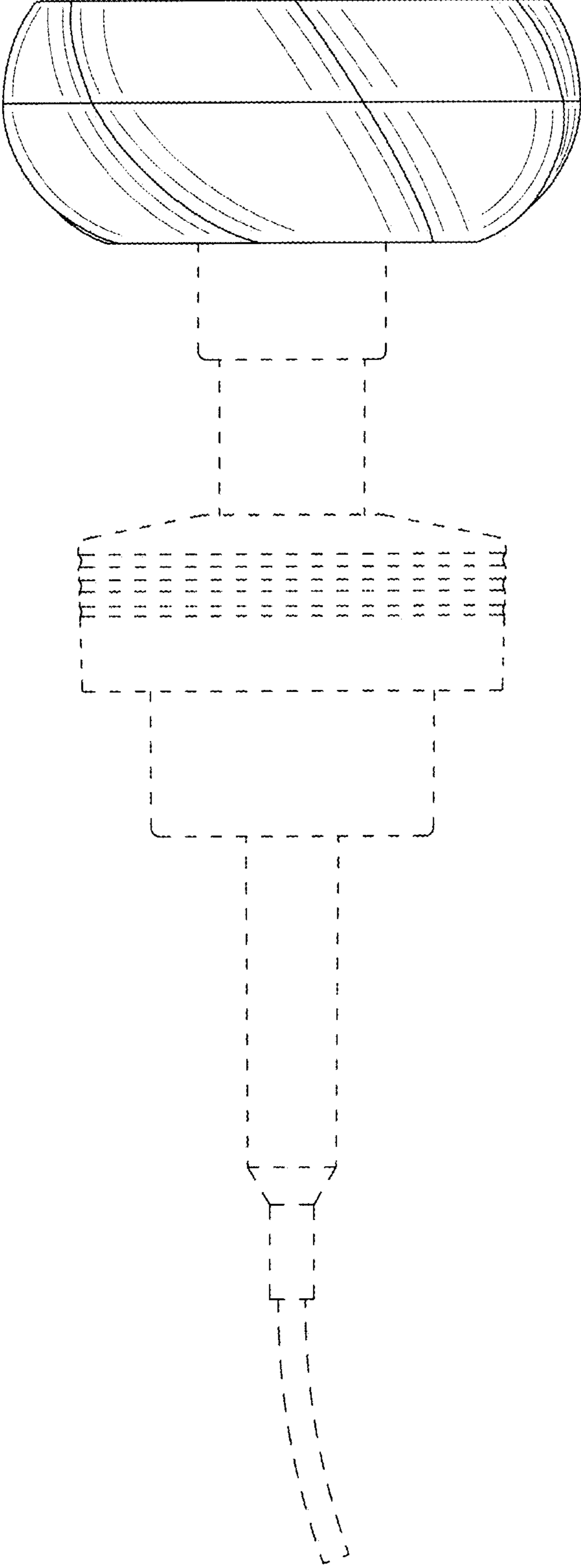
**FIG. 2**



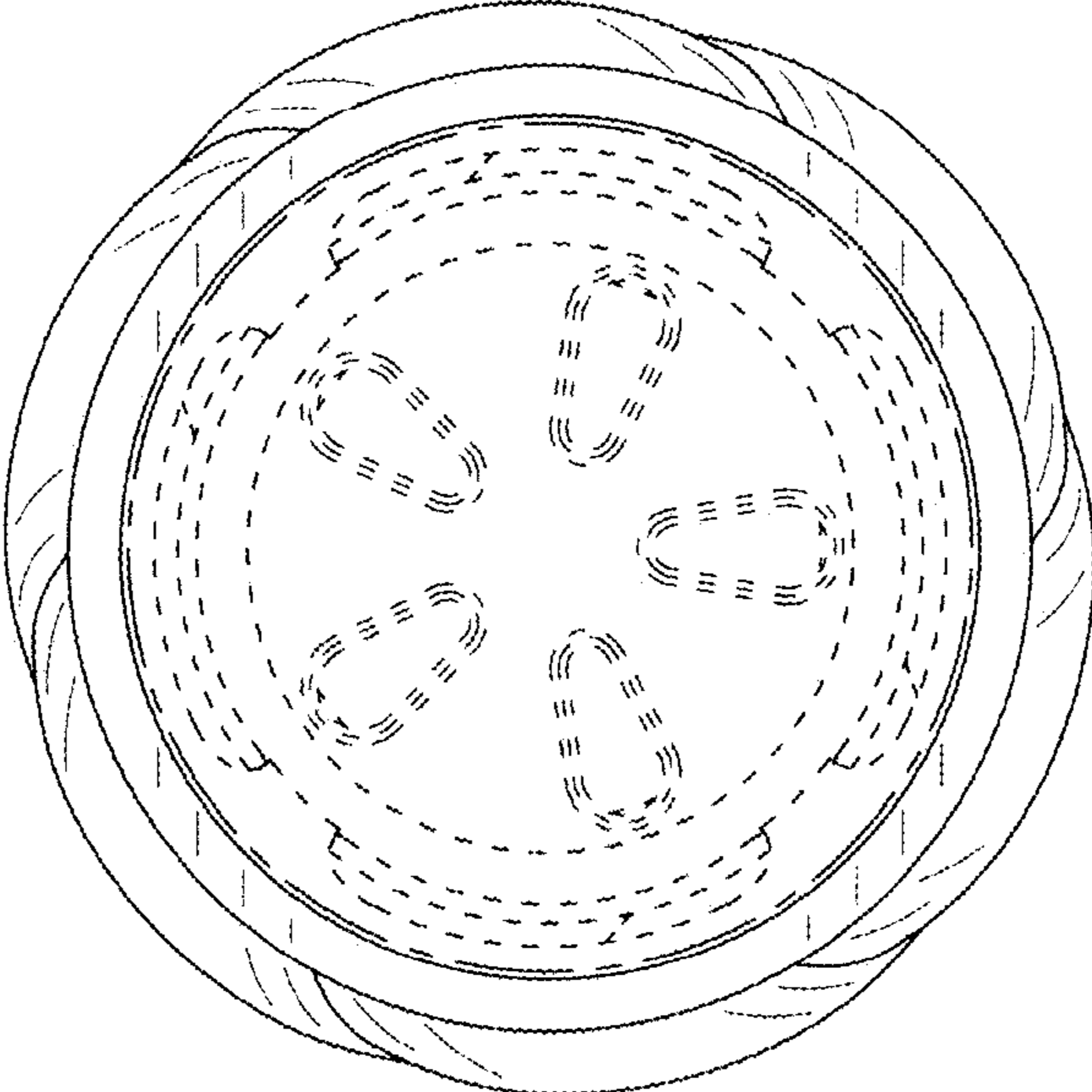
**FIG. 3**



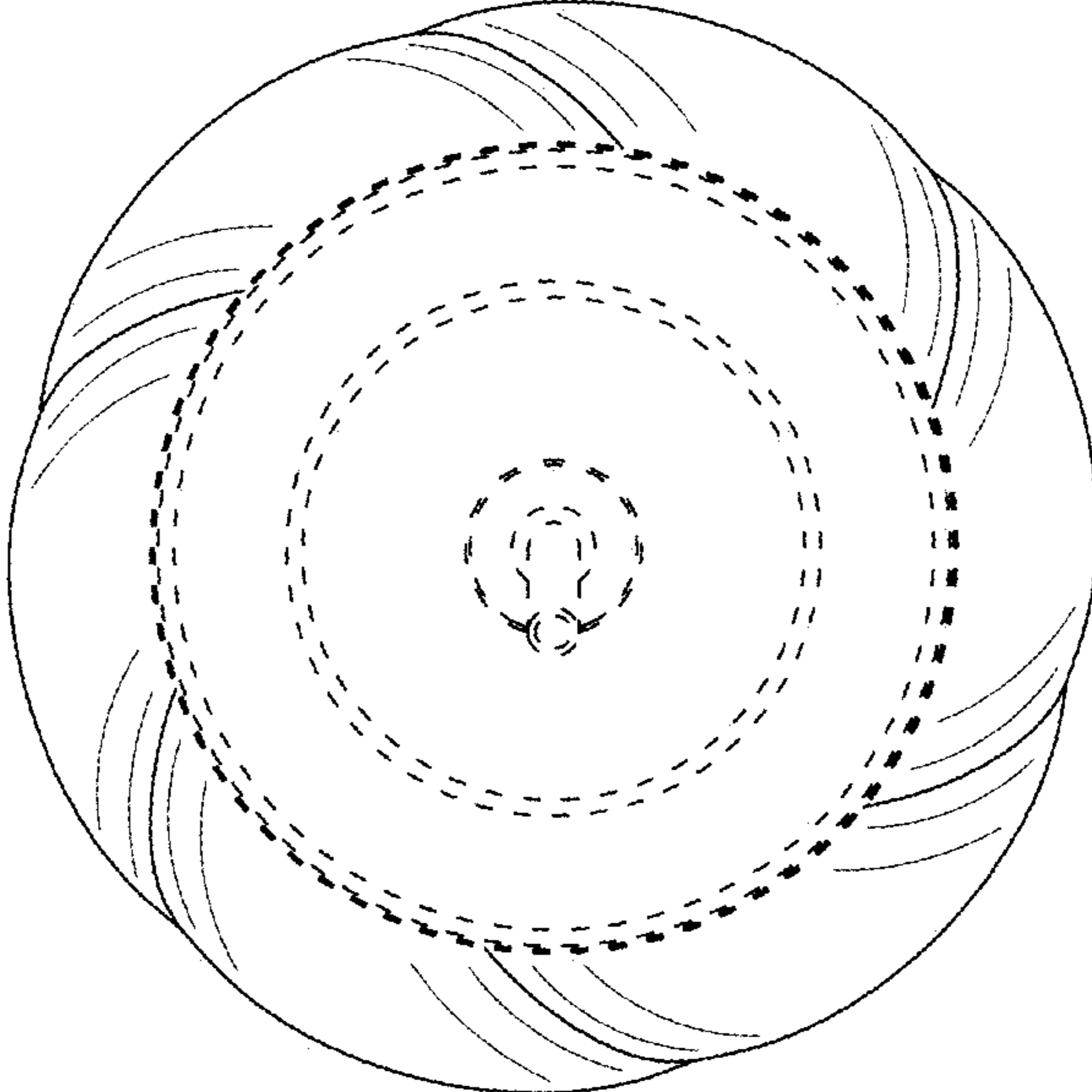
**FIG. 4**



**FIG. 5**

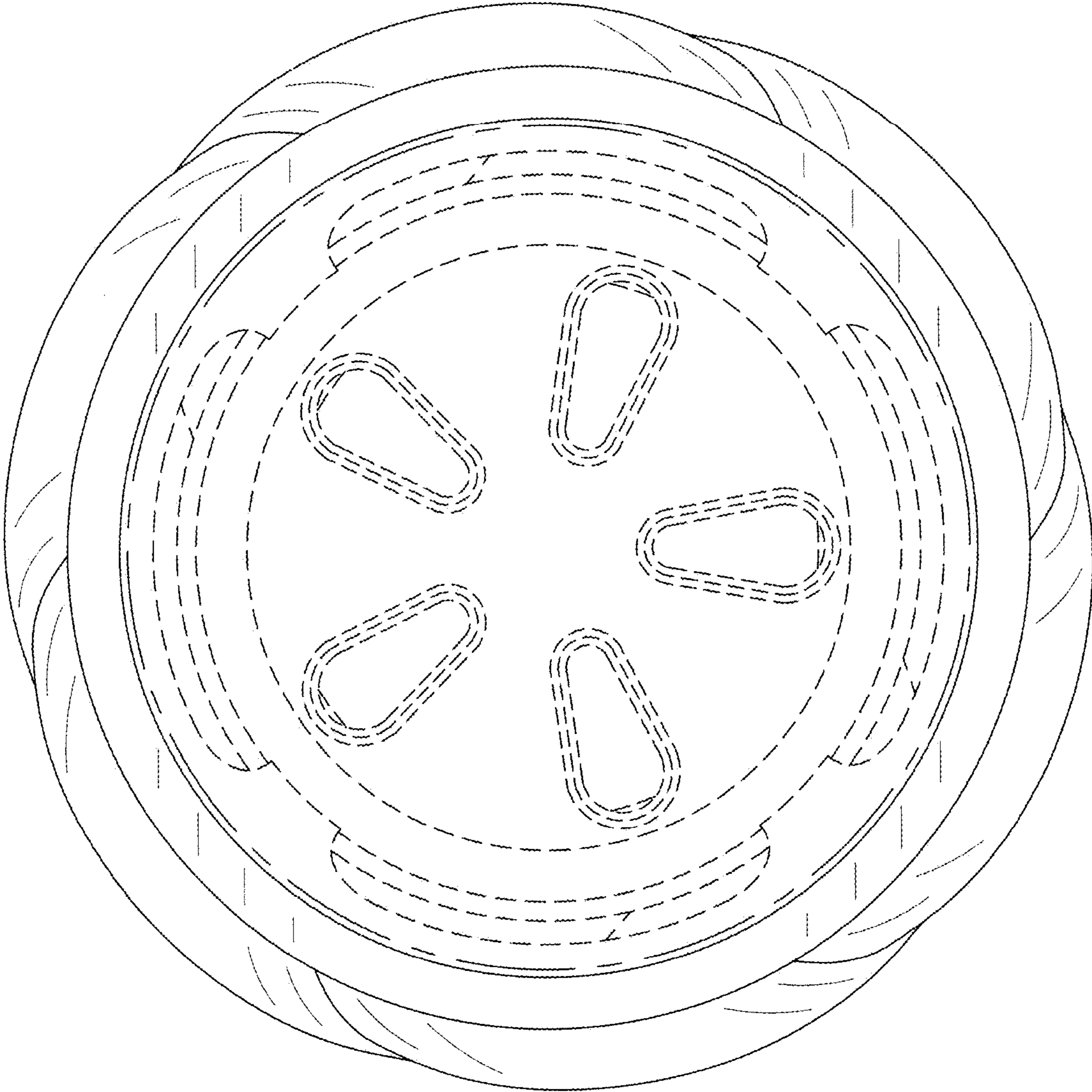


**FIG. 6**

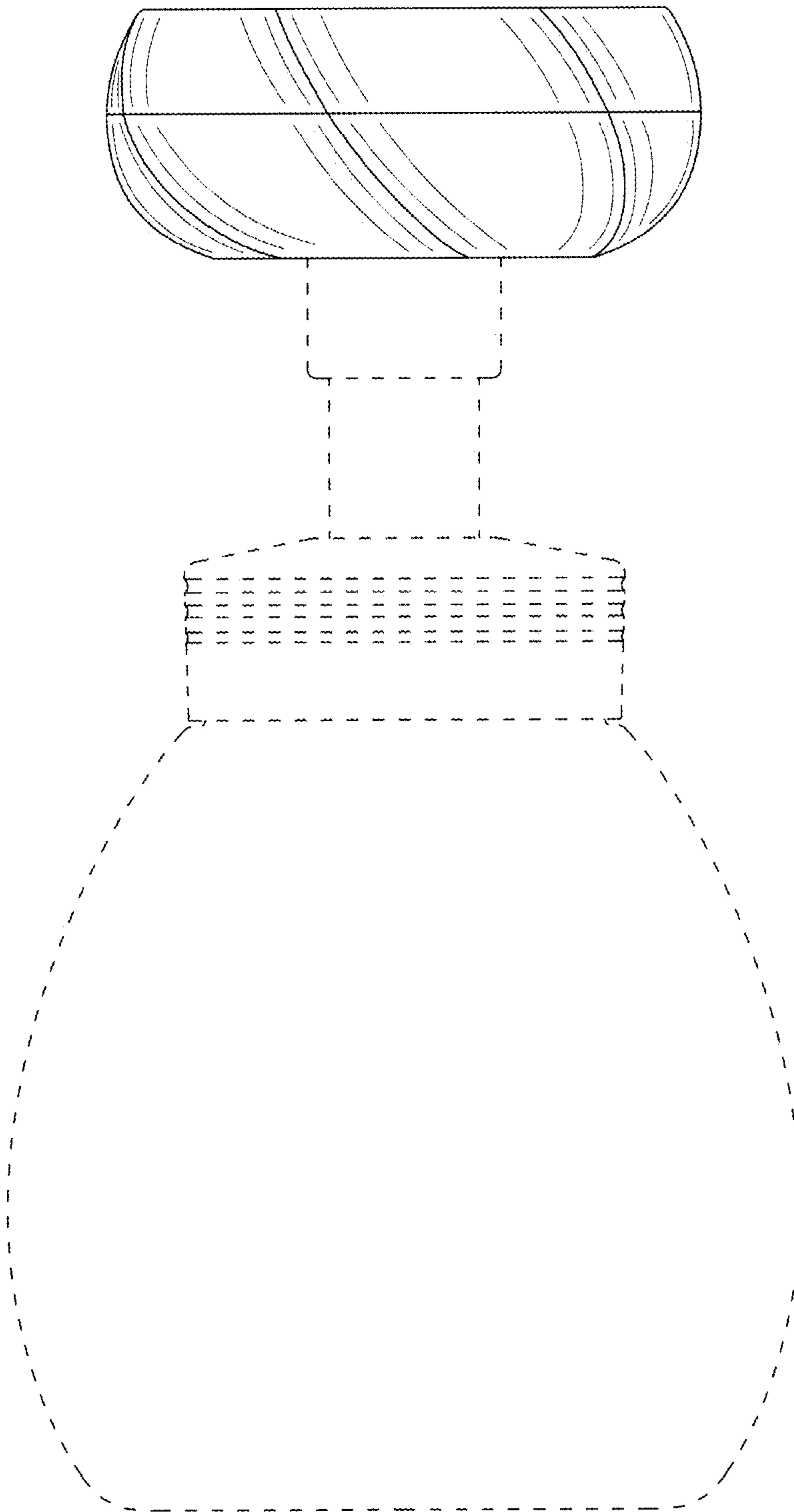


**FIG. 7**





**FIG. 8**



**FIG. 9**