



US00D988863S

(12) **United States Design Patent**
Simkins

(10) **Patent No.:** **US D988,863 S**
(45) **Date of Patent:** **** Jun. 13, 2023**

(54) **SILICONE BOTTLE LID WITH STRAW OPENING**

D319,980 S * 9/1991 Garner D9/454
D320,350 S * 10/1991 Fabiano D9/434
5,285,913 A 2/1994 Morton

(Continued)

(71) Applicant: **Vanessa Simkins**, Round Rock, TX
(US)

FOREIGN PATENT DOCUMENTS

(72) Inventor: **Vanessa Simkins**, Round Rock, TX
(US)

WO 2014197810 12/2014

(**) Term: **15 Years**

OTHER PUBLICATIONS

(21) Appl. No.: **29/745,946**

VAS Exclusive. Straw Lids for Original Series Glass Bottles. Publication date unavailable. Visited May 13, 2022. <https://vasexclusiveshop.com/collections/bottle-lids-accessories/products/silicone-lids-with-straw-hole-for-16-ounce-wide-mouth-vas-exclusive-beverage-bottles-6-pack-caps> (Year: 0).*

(22) Filed: **Aug. 11, 2020**

(Continued)

(51) **LOC (14) Cl.** **09-07**

(52) **U.S. Cl.**
USPC **D9/447; D9/454**

(58) **Field of Classification Search**
USPC D9/417, 434, 435, 439, 440, 445, 447,
D9/450, 452, 453, 454, 499, 682, 686,
D9/688, 690, 529, 556, 724, 436, 443,
D9/717; D28/99; D7/300, 312, 392.1,
D7/601, 602, 619.2, 629, 635, 900, 396.2;
D24/110, 121; D23/261; D8/312;
D14/217; D12/197
CPC B65D 23/12; B65D 47/06; B65D 81/38;
A47G 19/22; A47G 21/18

See application file for complete search history.

Primary Examiner — Darcey E Gottschalk
(74) *Attorney, Agent, or Firm* — Gerben Perrott, PLLC;
Benjamin M. Hanrahan

(57) **CLAIM**

The ornamental design for a silicone bottle lid with straw opening, as shown and described.

DESCRIPTION

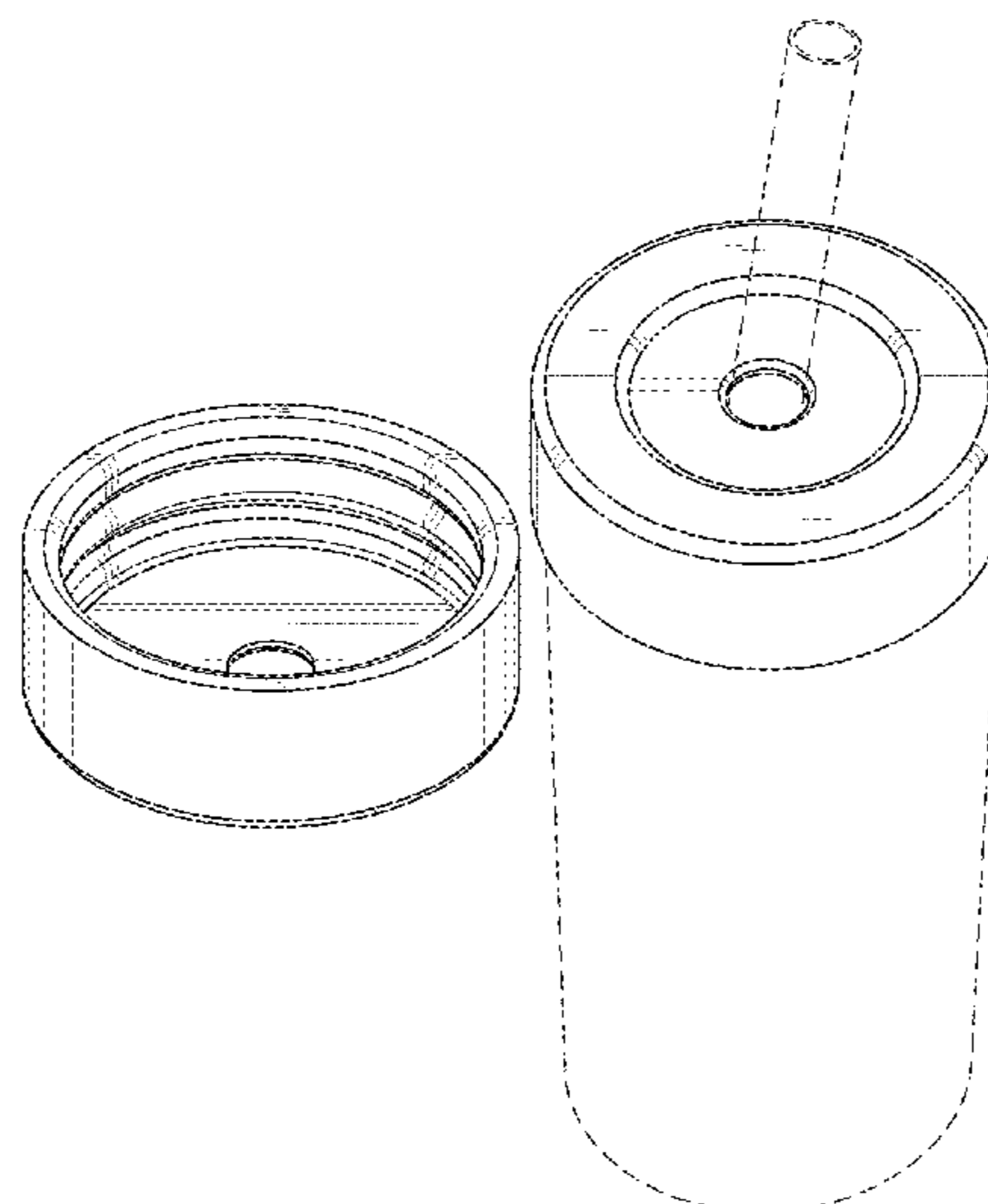
FIG. 1 is a top perspective view illustrating my design for a silicone bottle lid with straw opening.
FIG. 2 is a bottom perspective view thereof.
FIG. 3 is a front view thereof.
FIG. 4 is a rear view thereof.
FIG. 5 is a right side view thereof.
FIG. 6 is a left side view thereof.
FIG. 7 is a top view thereof.
FIG. 8 is a bottom view thereof; and,
FIG. 9 is another top perspective view thereof, illustrating environment therewith.
The broken lines shown in FIG. 9 are for the purpose of illustrating environment only and form no part of the claimed design.

(56) **References Cited**

U.S. PATENT DOCUMENTS

D24,337 S 5/1895 Gilchrist
D99,274 S * 4/1936 Fleisch D9/453
3,061,130 A 10/1962 Husum
3,465,906 A * 9/1969 Wagner B65D 51/243
215/253
3,473,686 A * 10/1969 Kusserow B65D 39/082
220/240
3,491,908 A * 1/1970 Beimers F16J 15/0881
215/276
D220,755 S * 5/1971 Zundel B65D 39/082
D9/454
D275,839 S * 10/1984 Lutzker D9/454

1 Claim, 7 Drawing Sheets



(56)

References Cited

U.S. PATENT DOCUMENTS

5,421,470 A 6/1995 Dudzik
 D376,565 S * 12/1996 Davidson D12/197
 5,662,231 A 9/1997 Adams et al.
 D415,027 S * 10/1999 Blazar D9/454
 D456,257 S * 4/2002 Bakic D9/454
 D495,060 S * 8/2004 Hellstrom D9/454
 D502,052 S * 2/2005 Meade D7/396.2
 D511,975 S * 11/2005 Py D9/686
 7,007,817 B2 3/2006 Jochem
 D527,262 S * 8/2006 Cooney D9/454
 D543,108 S * 5/2007 Reed D9/453
 D553,498 S * 10/2007 Cooney D9/454
 D574,708 S * 8/2008 Reed D9/453
 D582,767 S * 12/2008 Batton D9/454
 D587,581 S * 3/2009 DeMarco D9/454
 D596,487 S * 7/2009 Batton D9/454
 D631,956 S * 2/2011 Lulla D24/110
 D642,919 S * 8/2011 Taylor D9/453
 D642,920 S * 8/2011 Taylor D9/453
 D669,354 S * 10/2012 Davis D9/454
 8,297,458 B2 10/2012 Sumimiya et al.
 8,365,941 B2 2/2013 Mayer
 D682,105 S * 5/2013 Ramsey D9/454
 D682,610 S * 5/2013 Carder D7/392.1
 D694,110 S * 11/2013 Tanner D9/453
 D697,366 S * 1/2014 Kristinik D9/453
 8,714,379 B2 * 5/2014 Grant B65D 51/1683
 220/366.1
 D716,653 S * 11/2014 Balembois D9/435
 D718,136 S * 11/2014 Harrity D9/499
 D722,826 S * 2/2015 Coon D7/511
 D731,240 S * 6/2015 Bell D7/392.1
 D732,338 S * 6/2015 Boroski D7/510
 D744,778 S * 12/2015 Wahl D7/391
 D751,381 S 3/2016 Torrison et al.
 D751,394 S * 3/2016 Chartier D9/440
 D772,713 S * 11/2016 Chapman D9/434
 D786,692 S * 5/2017 Kim D9/690
 D814,930 S * 4/2018 Tremayne D9/454
 D816,500 S 5/2018 Torrison et al.
 D824,763 S * 8/2018 Suess D9/454
 D828,085 S * 9/2018 Baron D7/392.1
 D855,390 S * 8/2019 Lullie D7/392.1
 D867,884 S * 11/2019 Byron D9/454
 D871,906 S * 1/2020 Ramsey D9/454
 D876,230 S * 2/2020 Hagg D9/454
 D877,558 S * 3/2020 Dorfmueller D7/391
 D907,998 S * 1/2021 Michel D9/439
 D973,490 S * 12/2022 Tenneson D9/454

2003/0209511 A1 * 11/2003 Guyot A47G 19/2266
 215/253
 2004/0245250 A1 * 12/2004 Hidalgo A47G 19/2272
 220/709
 2006/0278665 A1 * 12/2006 Bennett A45D 33/16
 222/548
 2007/0267383 A1 * 11/2007 McGeough B65D 47/10
 215/273
 2010/0065528 A1 3/2010 Hanafusa et al.
 2015/0320246 A1 * 11/2015 Jorge A47G 21/18
 220/592.17
 2017/0055743 A1 * 3/2017 Jorge A47G 21/18
 2017/0137272 A1 * 5/2017 Keth B67B 6/00
 2017/0251850 A1 * 9/2017 Coon A47G 21/18
 2018/0140119 A1 * 5/2018 Shields B65D 47/06
 2019/0144169 A1 * 5/2019 Byron B65D 41/0435
 215/316
 2019/0352059 A1 * 11/2019 Mutch A47J 41/0022
 2020/0397165 A1 * 12/2020 Szafraniec A47G 19/22

OTHER PUBLICATIONS

Amazon. All About Juicing Straw Lids by Vanessa Simkins. First available Sep. 24, 2019. Visited May 13, 2022. <https://www.amazon.com/All-About-Juicing-Straw-Lids/dp/B07YBHJMRH/?th=1&psc=1> (Year: 2019).*

Amazon. Glass Tumbler with Straw and Lid. First available May 17, 2019. Visited May 13, 2022. <https://www.amazon.com/Tumbler-Smoothie-Silicone-Protective-Reusable/dp/B087N39LNF/> (Year: 2019).*

Amazon. Glass tumbler with straw and lid 20oz Glass Smoothie Cup with Silicone Protective Sleeve PBA Free (White&Pink Pack, Hollow Silicone Sleeve+Reusable Metal Straw). Aug. 31, 2020. <https://www.amazon.com/Tumbler-Smoothie-Silicone-Protective-Reusable/dp/B08PSRN7GQ/?th=1> (Year: 2020).*

amazon.com; Leak Proof Platinum Silicone Sealing Lid Inserts/Liners for Mason Jars (10 Pack, Wide Mouth); Mason Jar Lifestyle Store; Link: <<https://www.amazon.com/Platinum-Silicone-Sealing-Inserts-Mason/dp/B017DTW5A8>>; Printed on Nov. 24, 2022. masonjarlifestyle.com; Leak Proof Platinum Silicone Sealing Lid Liners for Mason Jars 10 Pack; Link: <<https://masonjarlifestyle.com/product/leak-proof-food-safe-silicone-sealing-lid-liners-regular-mouth-mason-jars/>>; Printed on Jul. 1, 2020.

masonjarlifestyle.com; MJL Leak Proof Plastic Storage Lids for Mason Jars; Link:<<https://masonjarlifestyle.com/product/leak-proof-food-safe-silicone-sealing-lid-liners-regular-mouth-mason-jars/>>; Printed on Jul. 1, 2020.

* cited by examiner

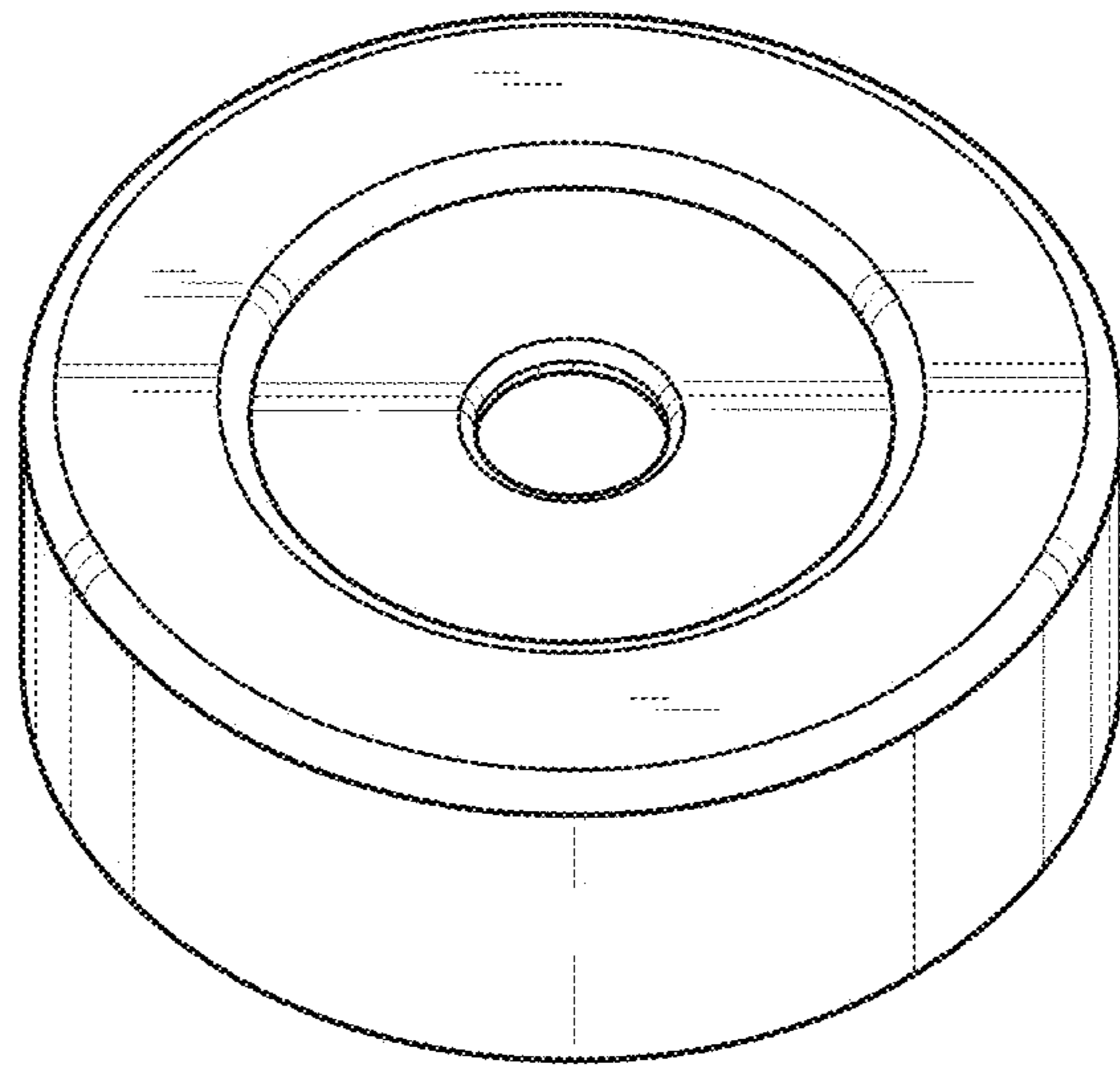


FIG. 1

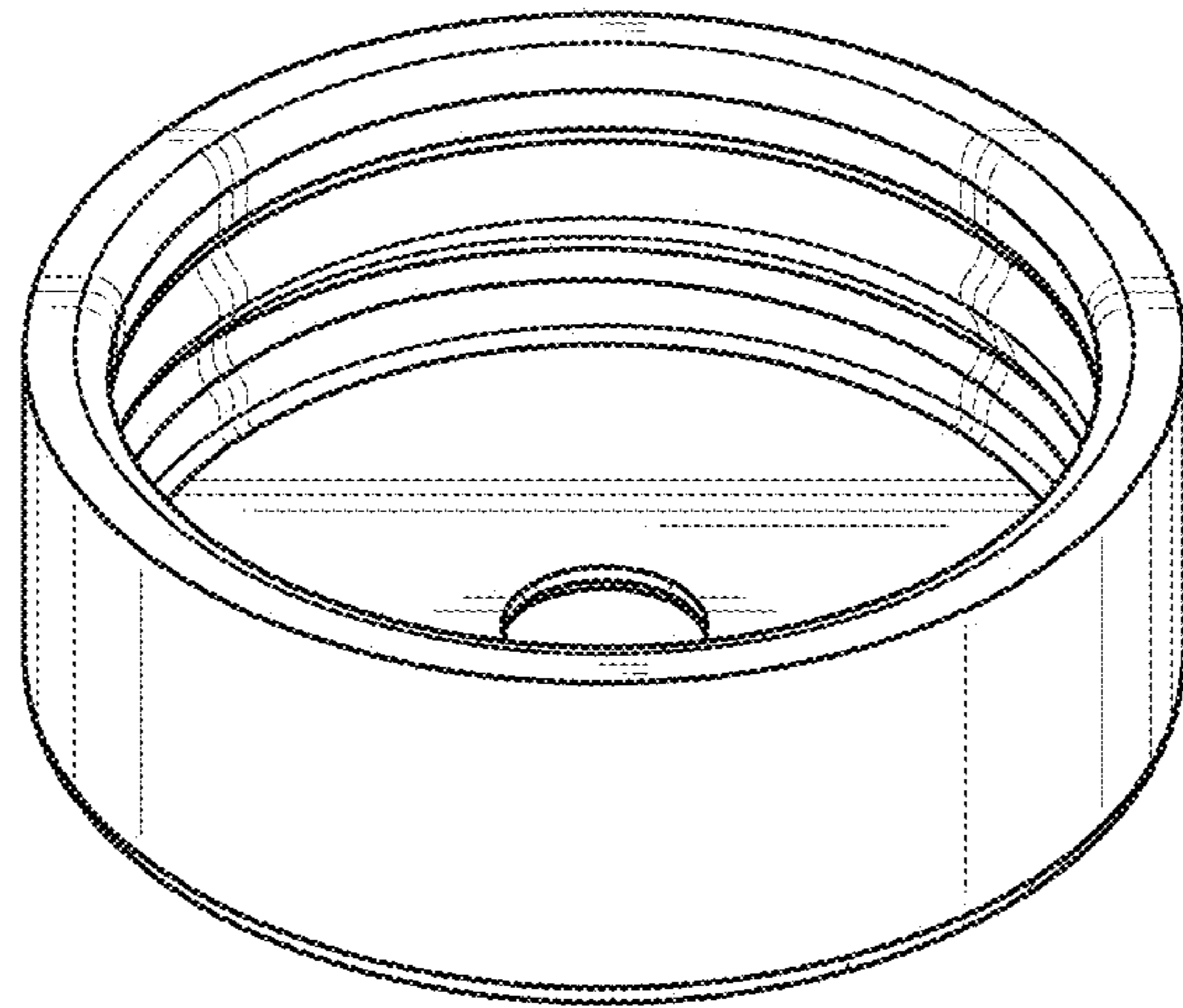


FIG. 2

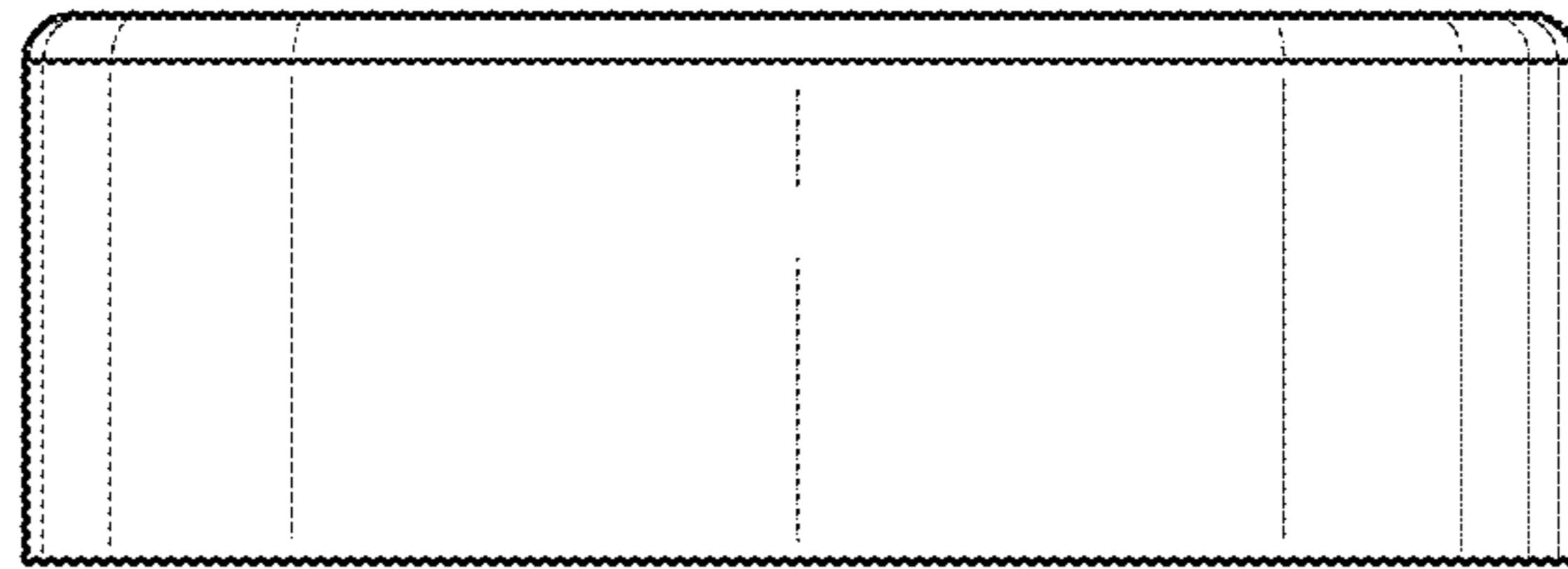


FIG. 3

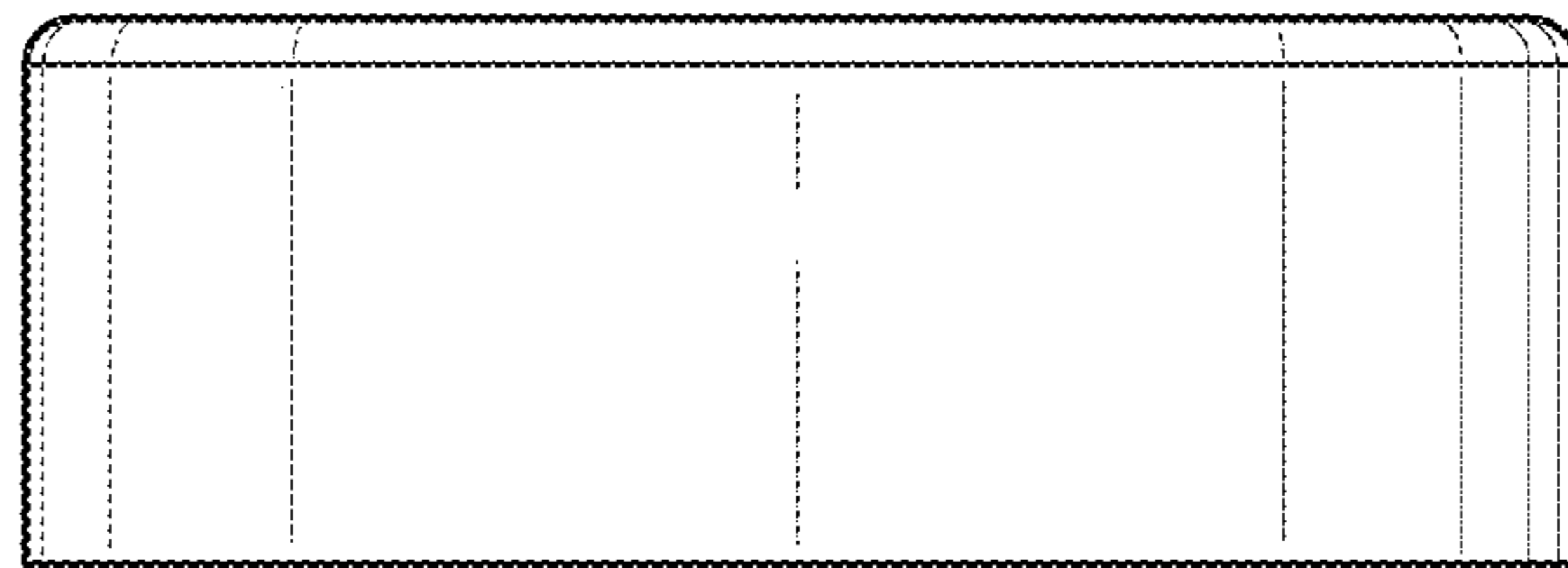


FIG. 4

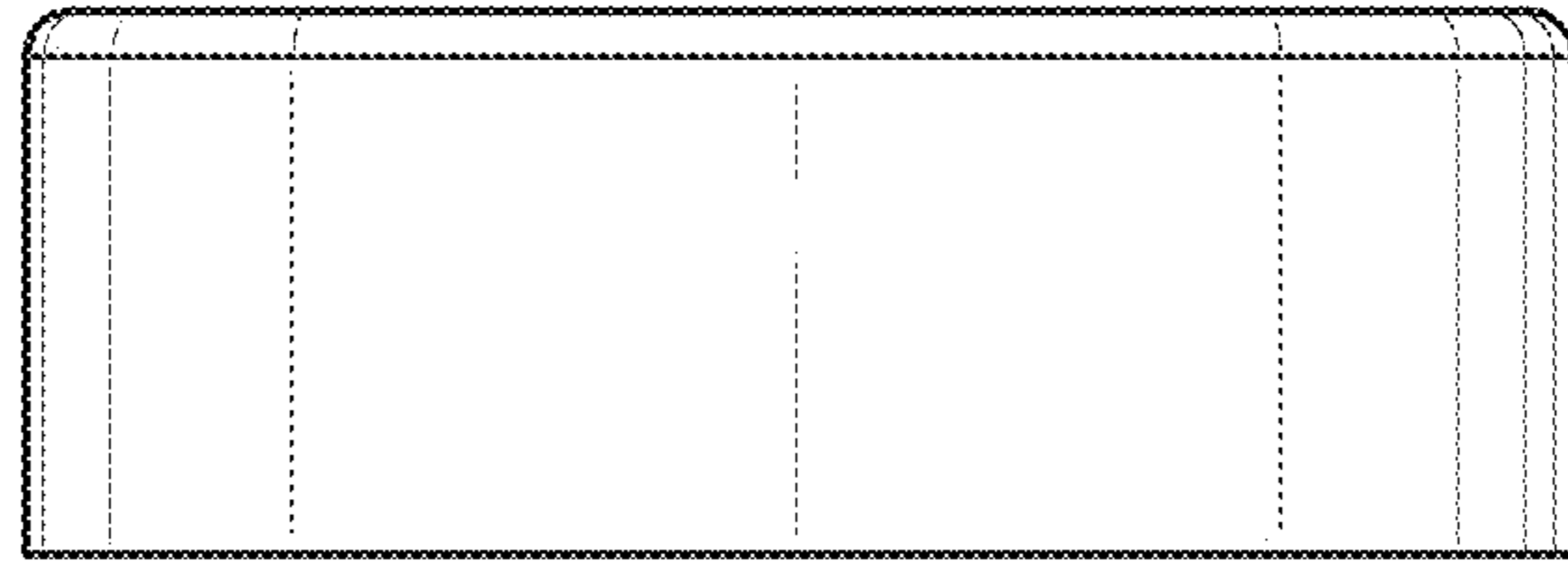


FIG. 5

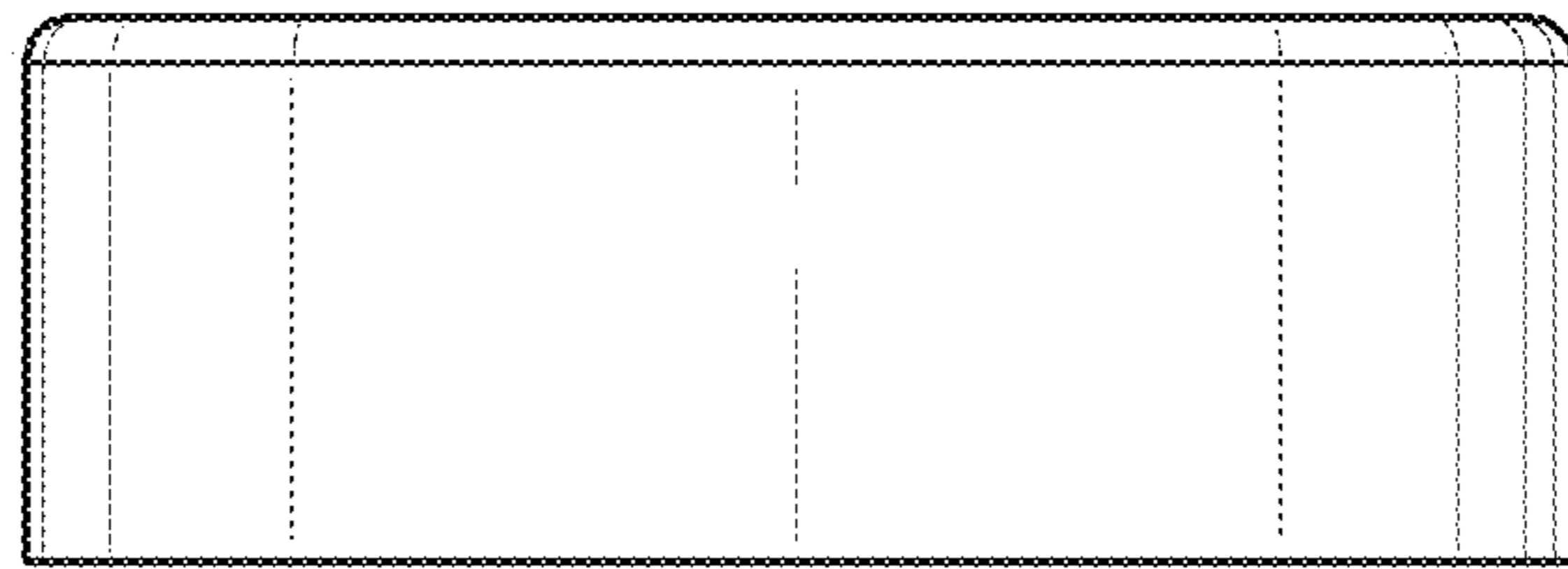


FIG. 6

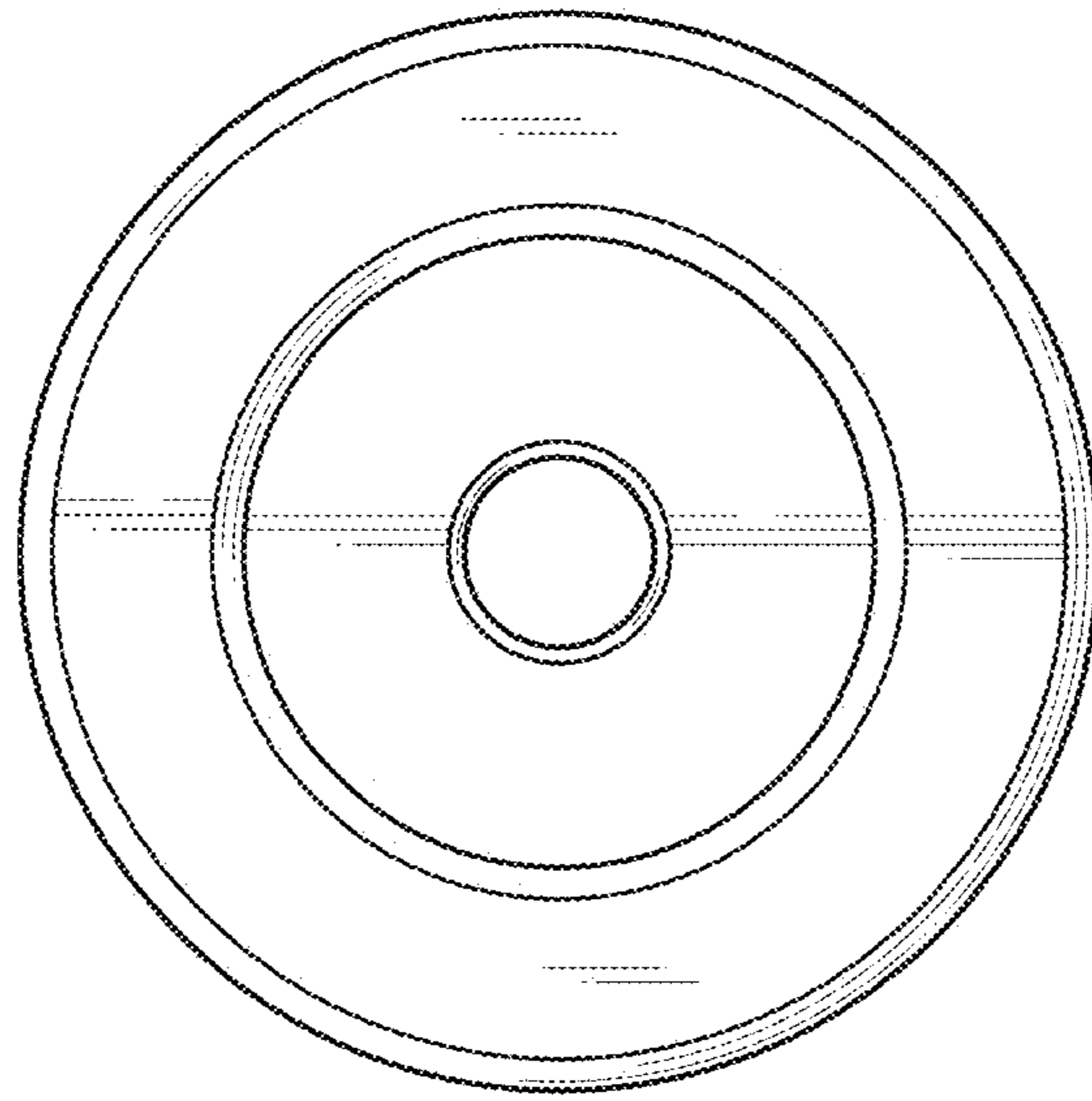


FIG. 7

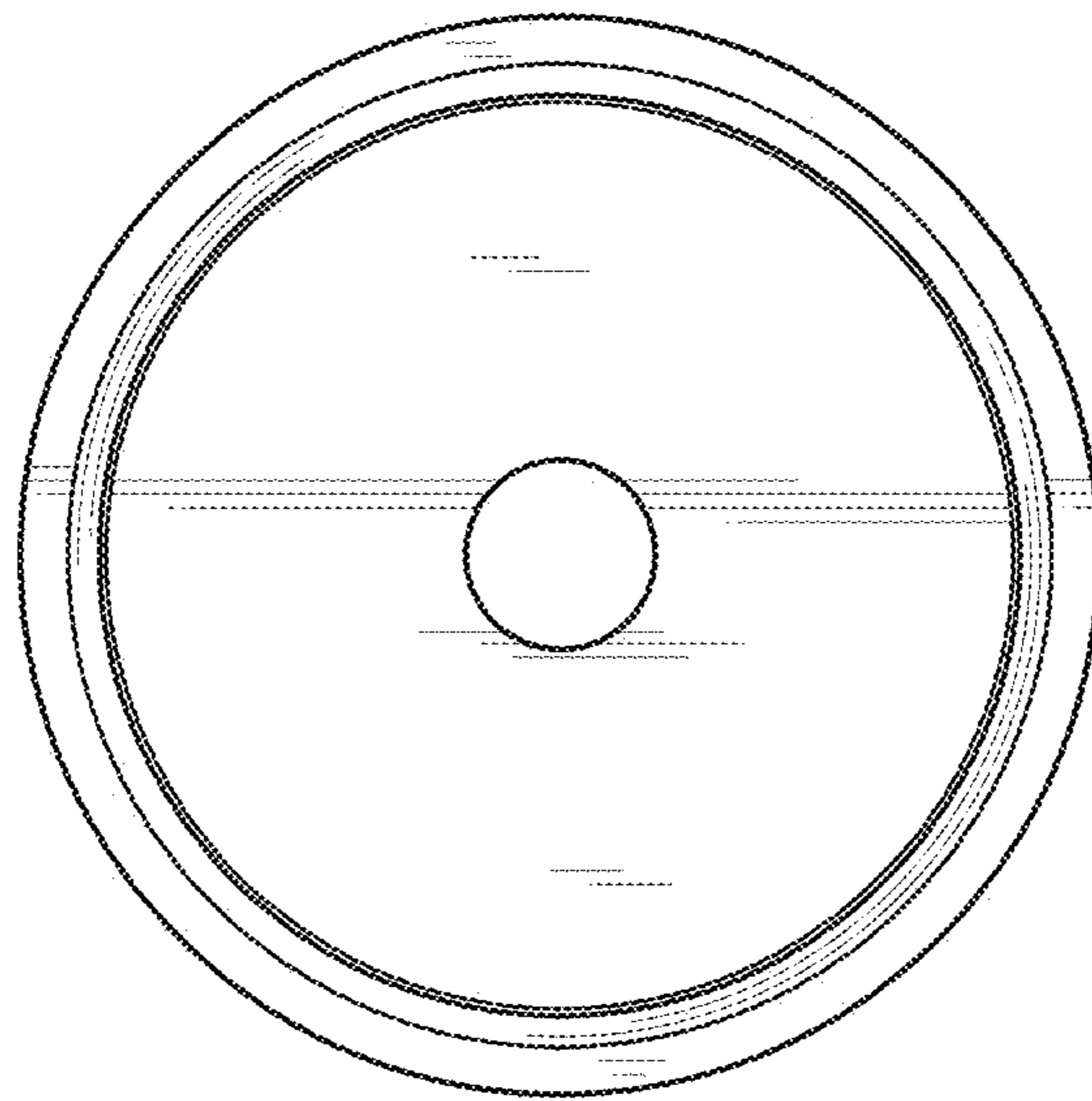


FIG. 8

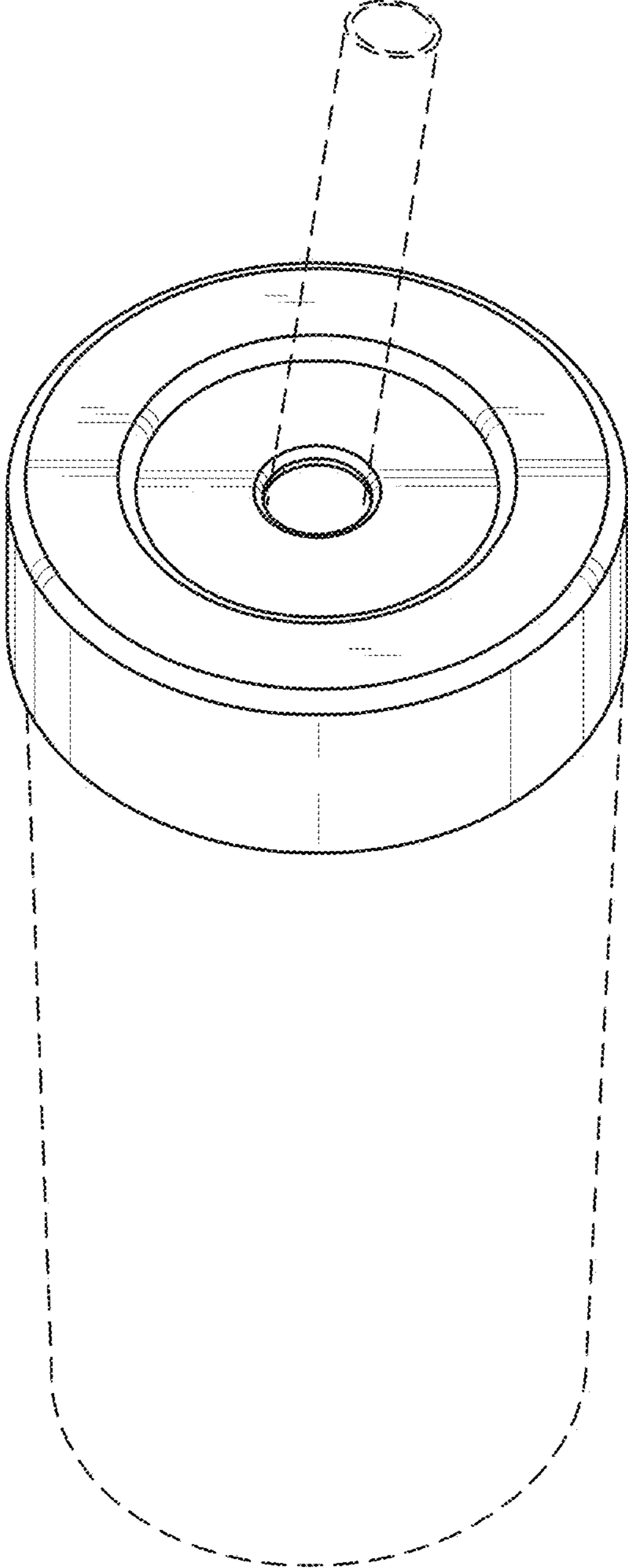


FIG. 9