



US00D988861S

(12) **United States Design Patent**
Chen

(10) **Patent No.:** **US D988,861 S**

(45) **Date of Patent:** **** Jun. 13, 2023**

(54) **PLASTIC WRAP CONTAINER**

(71) Applicant: **Xiulian Chen**, Longyan (CN)

(72) Inventor: **Xiulian Chen**, Longyan (CN)

(**) Term: **15 Years**

(21) Appl. No.: **29/848,488**

(22) Filed: **Aug. 3, 2022**

(51) **LOC (14) Cl.** **09-03**

(52) **U.S. Cl.**

USPC **D9/432**; D7/637

(58) **Field of Classification Search**

USPC D9/414, 418, 420, 421, 423, 425, 426,
D9/432, 655, 656, 658, 416; D21/391,
D21/392; D3/201, 203.3, 247, 273, 294,
D3/20, 242, 284; D7/590-600.4, 601,
D7/631, 637-641; D6/663, 667;
D19/106

CPC .. B65D 5/4204; B65D 5/6697; B65D 77/006;
Y10S 312/902

See application file for complete search history.

(56) **References Cited**

U.S. PATENT DOCUMENTS

D47,574 S *	7/1915	Warren	D9/418
D333,262 S *	2/1993	Zogg	D9/416
D397,274 S *	8/1998	Hise	D7/637
D609,592 S *	2/2010	Reid	D3/203.2
D678,049 S *	3/2013	Bakker	D9/416
D708,487 S *	7/2014	Filipski	D7/637
D737,137 S	8/2015	Exner		
D778,149 S	2/2017	Frick		
D787,278 S *	5/2017	Hsu	D7/637
D794,443 S *	8/2017	Frick	D9/416
D795,655 S *	8/2017	Hsu	D7/637
D801,169 S	10/2017	Mack		
D814,248 S *	4/2018	Le	D7/637
D815,522 S	4/2018	Vegliante		
D838,479 S *	1/2019	Felsenthal	D3/294
D843,791 S *	3/2019	Noe	D7/637

D856,094 S *	8/2019	Joseph	D7/637
D861,477 S	10/2019	Smith		
D873,129 S	1/2020	Huang		
D886,543 S *	6/2020	Repko	D7/637

(Continued)

OTHER PUBLICATIONS

IFSNOW, Apr. 20, 2022, Amazon.com, URL: <https://www.amazon.com/Organizer-Dispenser-Aluminum-Organization-Sandwich/dp/B09YCQYXW6?th=1> (Year: 2022).*

(Continued)

Primary Examiner — Brett Miller

Assistant Examiner — Rani J Abdallah

(74) *Attorney, Agent, or Firm* — Rumit Ranjit Kanakia

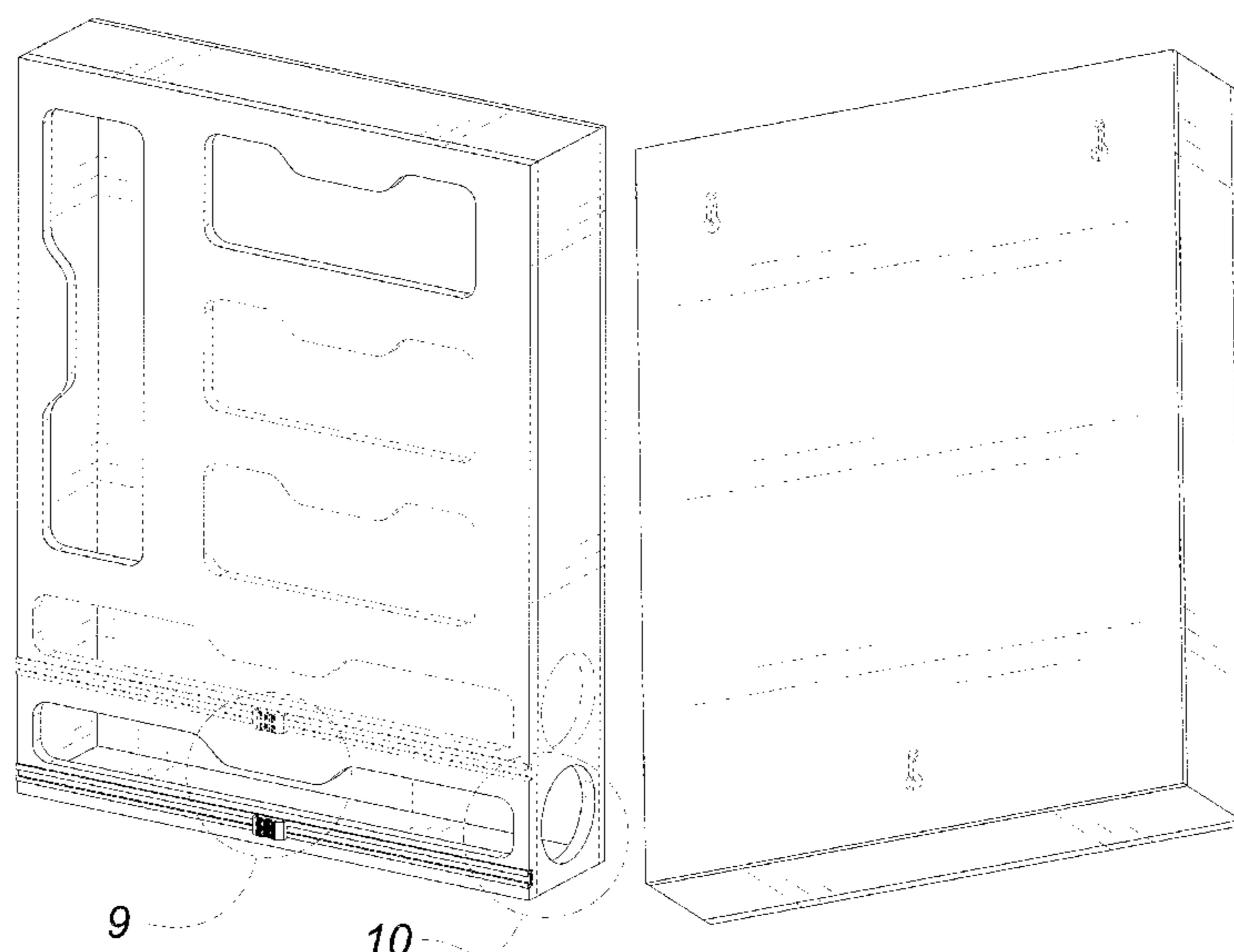
(57) **CLAIM**

The ornamental design for a plastic wrap container, as shown and described.

DESCRIPTION

FIG. 1 is a perspective view of a plastic wrap container showing my new design;
FIG. 2 is another perspective view thereof;
FIG. 3 is a front elevational view thereof;
FIG. 4 is a rear elevational view thereof;
FIG. 5 is a left side view thereof;
FIG. 6 is a right side view thereof;
FIG. 7 is a top plan view thereof;
FIG. 8 is a bottom plan view thereof;
FIG. 9 is a partial enlarged view of FIG. 1;
FIG. 10 is a partial enlarged view of FIG. 1;
FIG. 11 is a partial enlarged view of FIG. 3;
FIG. 12 is a partial enlarged view of FIG. 5; and,
FIG. 13 is a partial enlarged view of FIG. 8.
The broken lines in the figures are for the purpose of illustrating portions of the plastic wrap container, which form no part of the claimed design.

1 Claim, 11 Drawing Sheets



(56)

References Cited

U.S. PATENT DOCUMENTS

D895,419 S 9/2020 Huang
D895,420 S 9/2020 Chen
D902,027 S 11/2020 Chen
D923,429 S * 6/2021 Repko D7/637
D942,849 S 2/2022 Nishida

OTHER PUBLICATIONS

Kocwell, May 23, 2022, Amazon.com, URL: https://www.amazon.com/KOCWELL-Ziplock-Bag-Storage-Organizer/dp/B0B1ZLVFKJ?ref_ast_sto_dp (Year: 2022).*

* cited by examiner

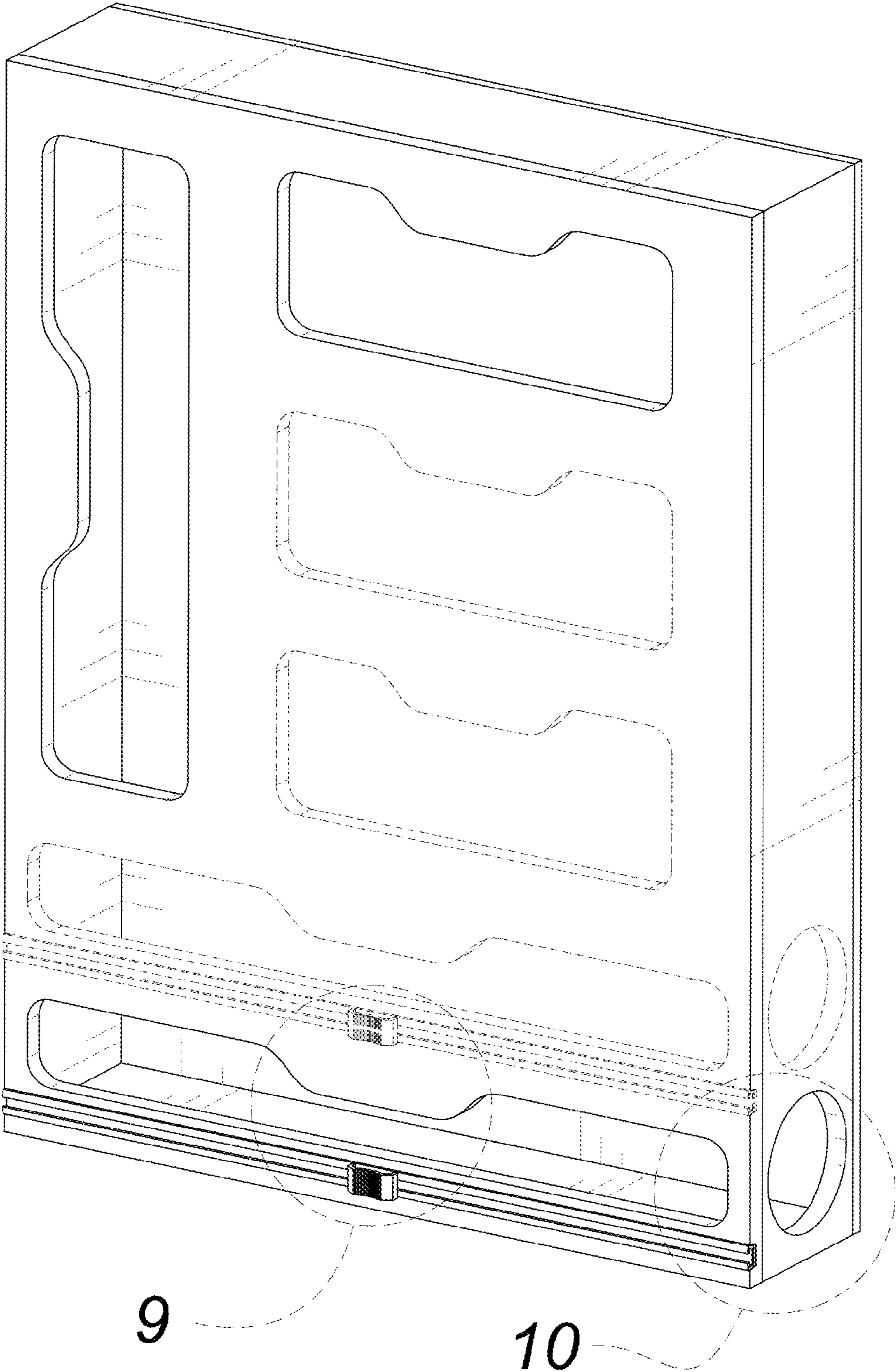


FIG. 1

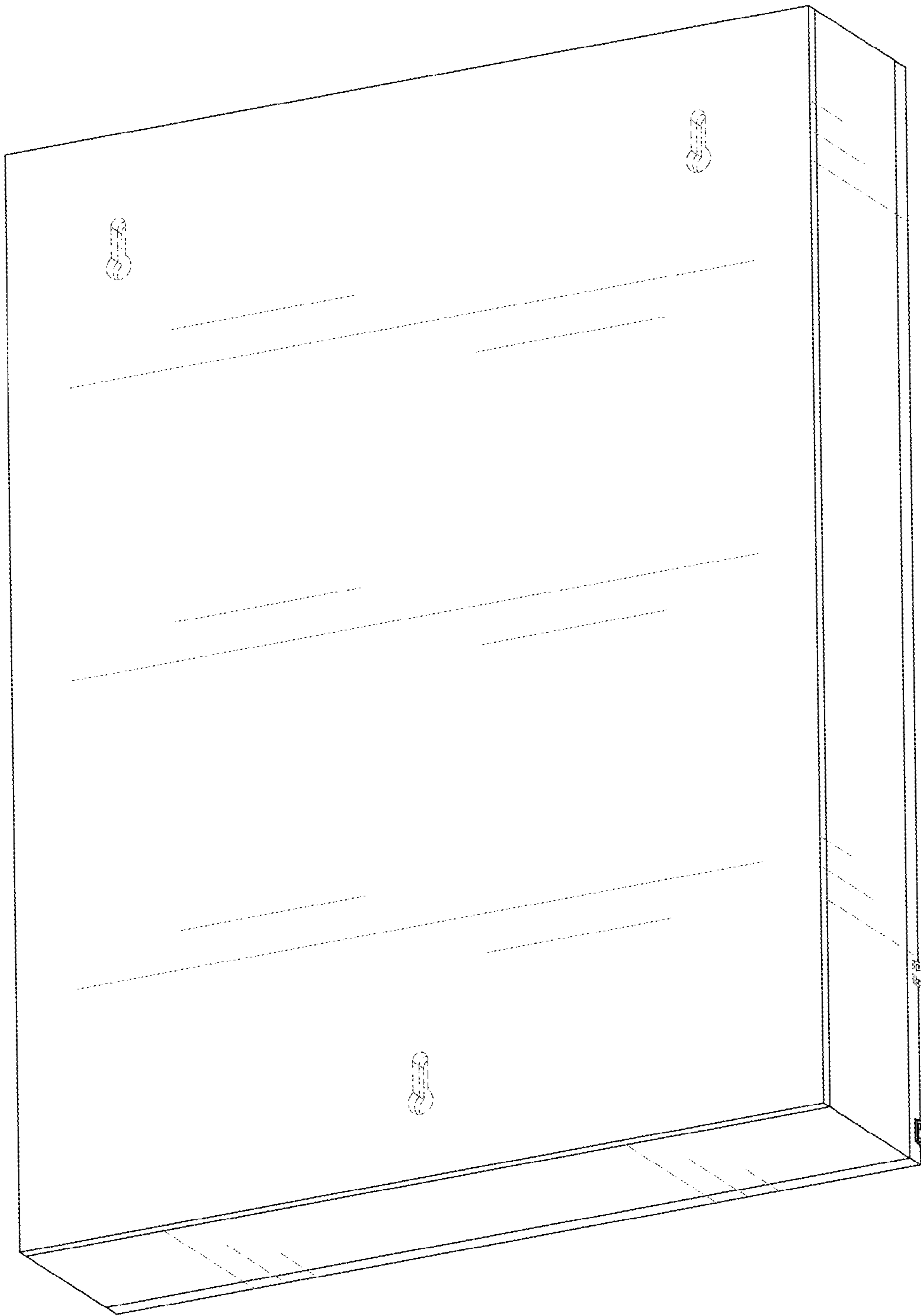


FIG. 2

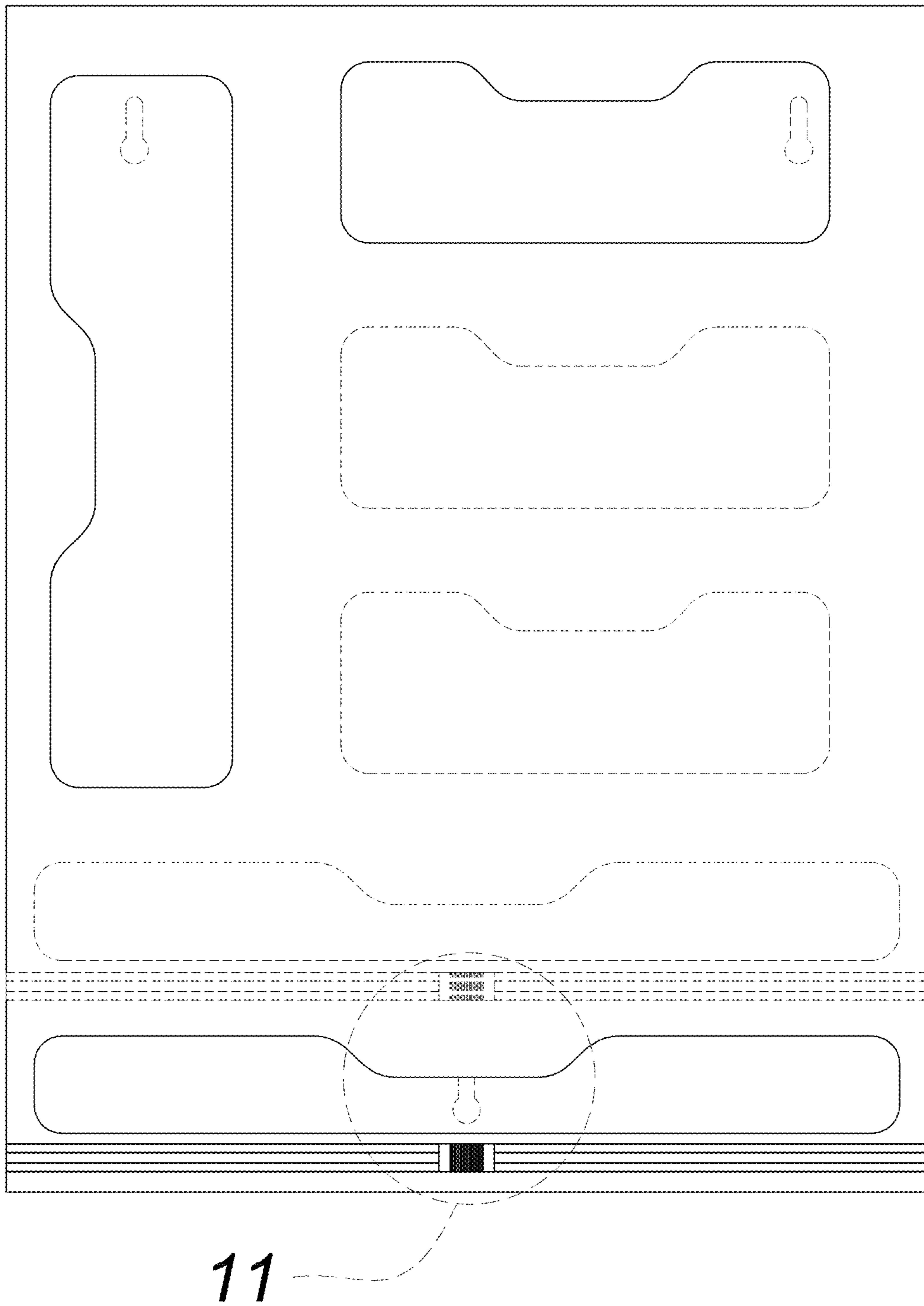


FIG. 3

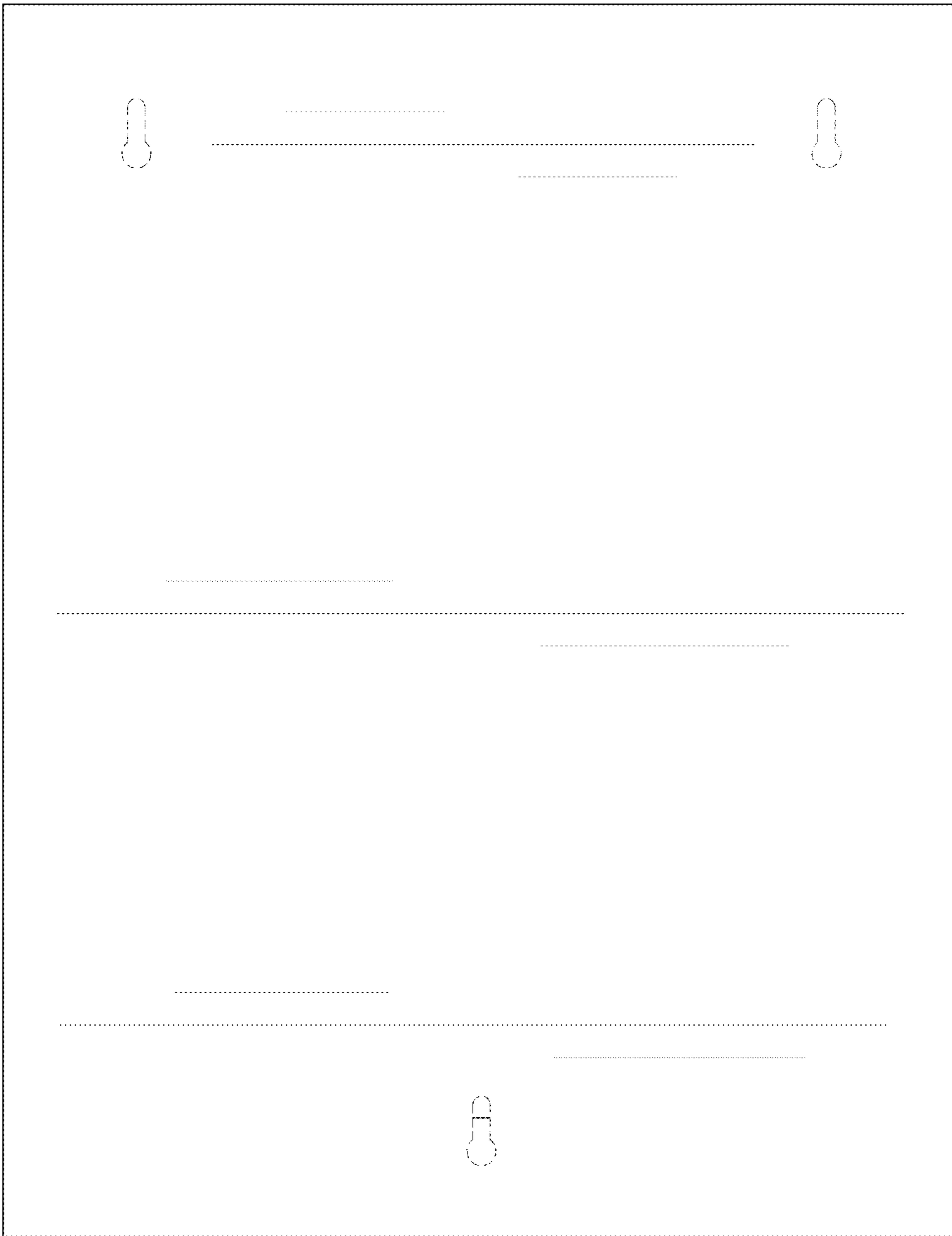


FIG. 4

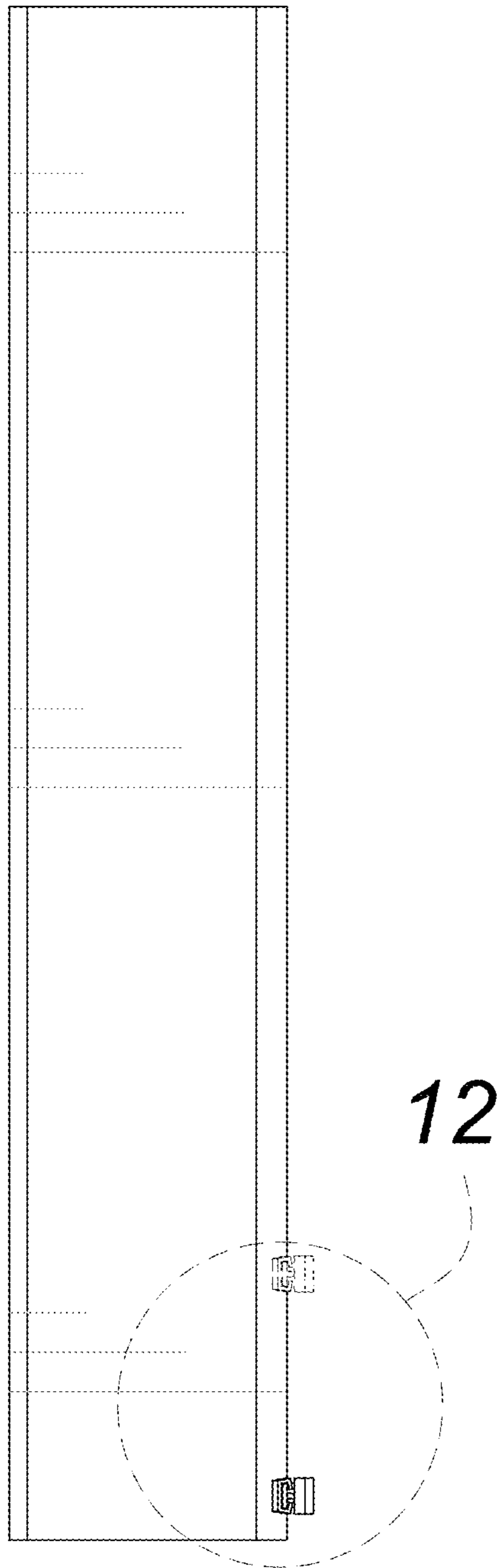


FIG. 5

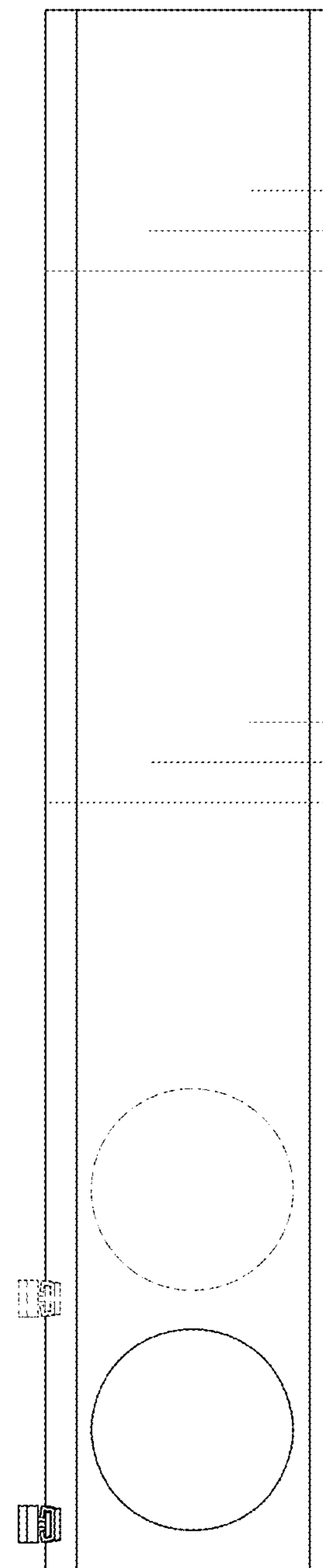


FIG. 6

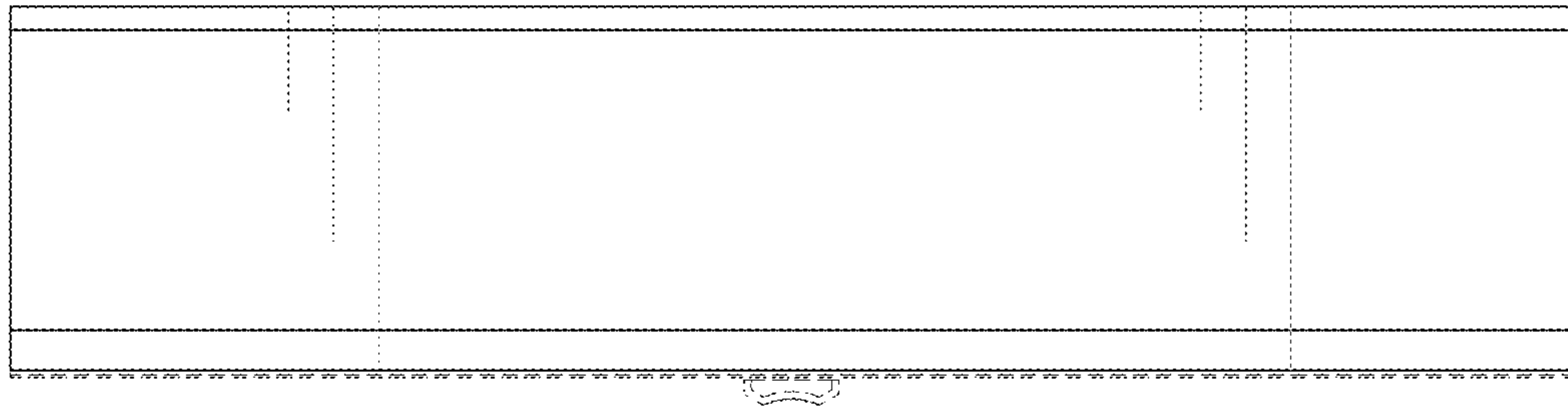


FIG. 7

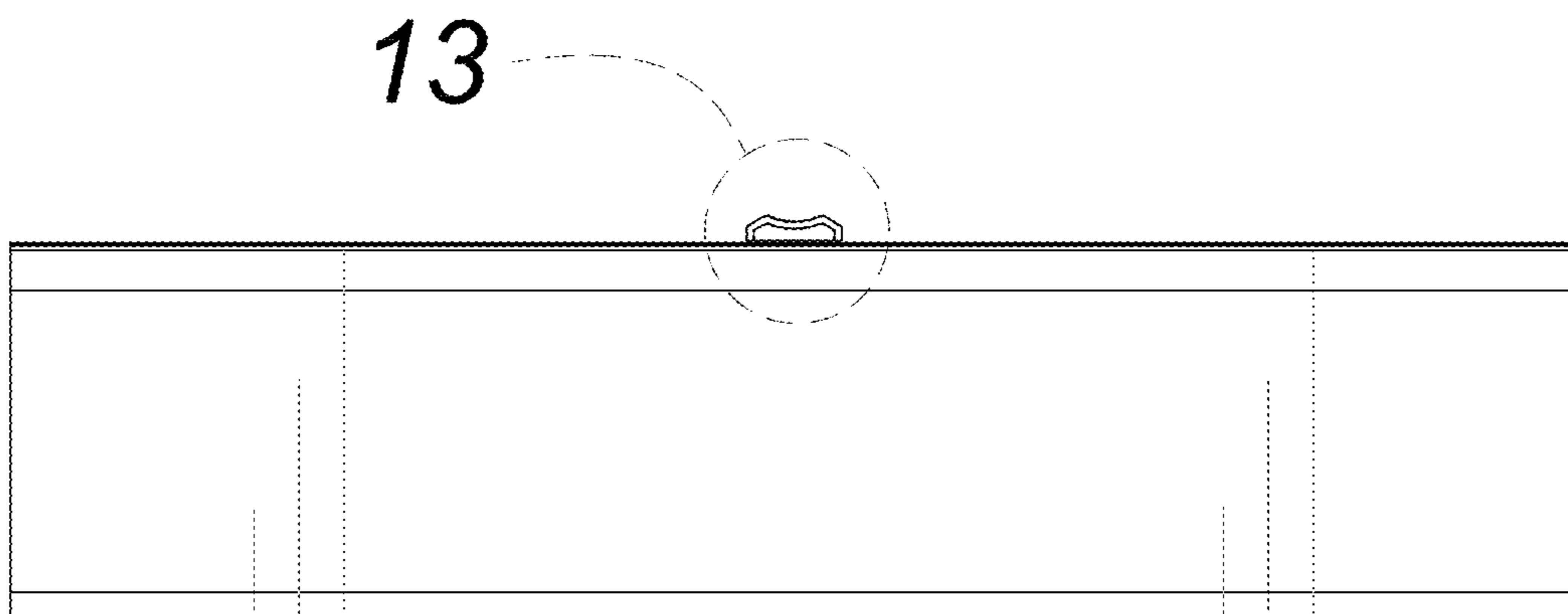


FIG. 8

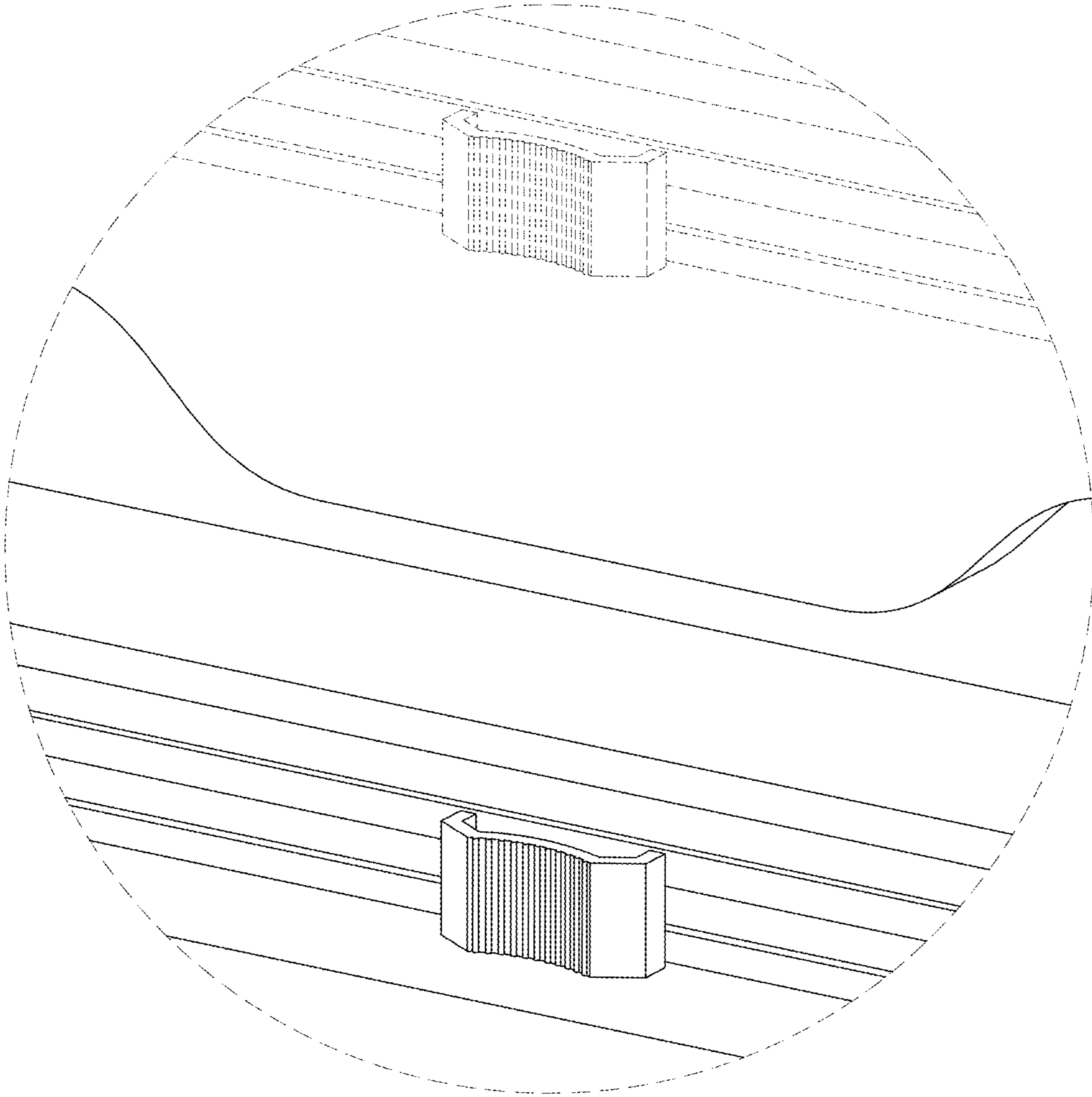


FIG. 9

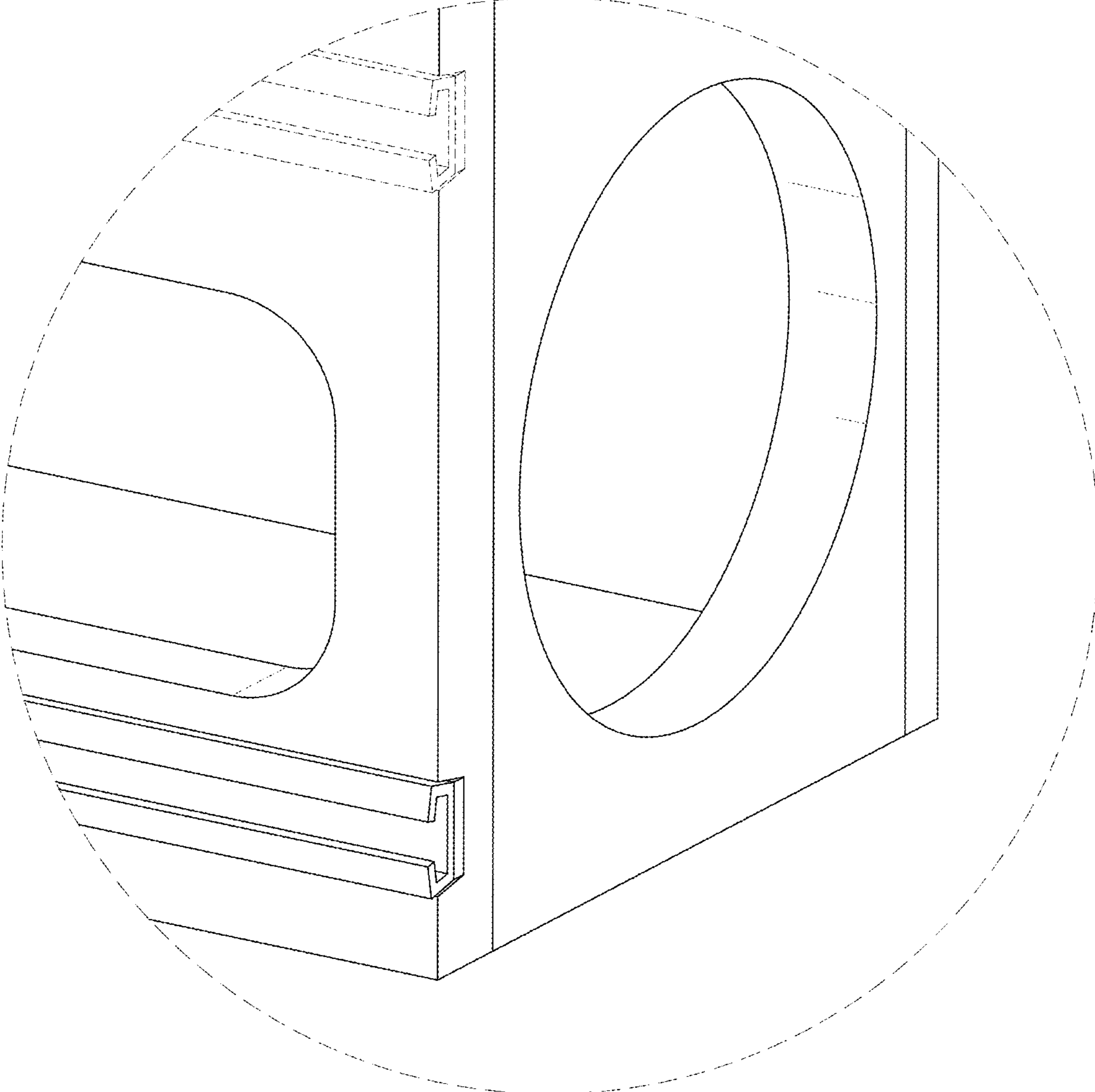


FIG. 10

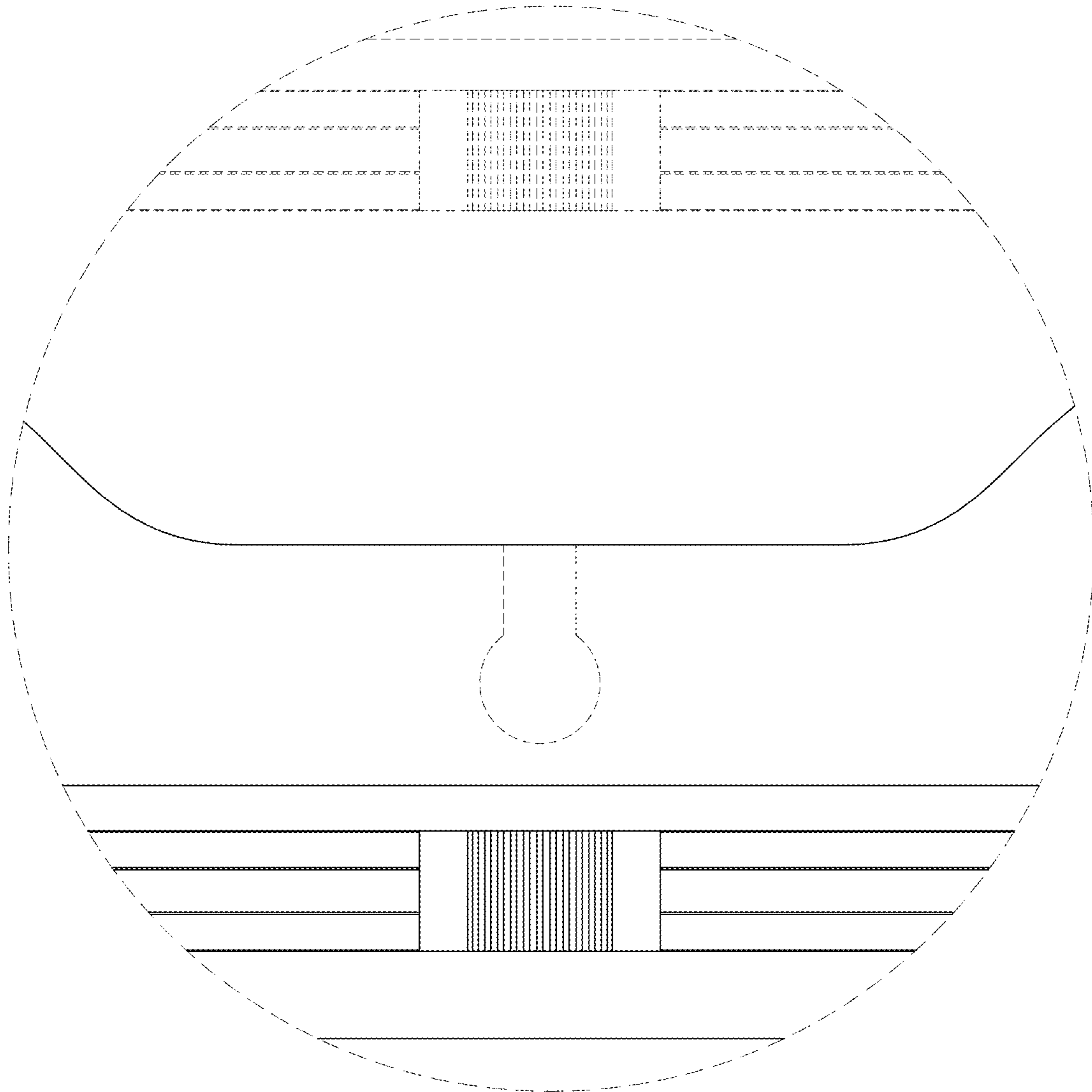


FIG. 11

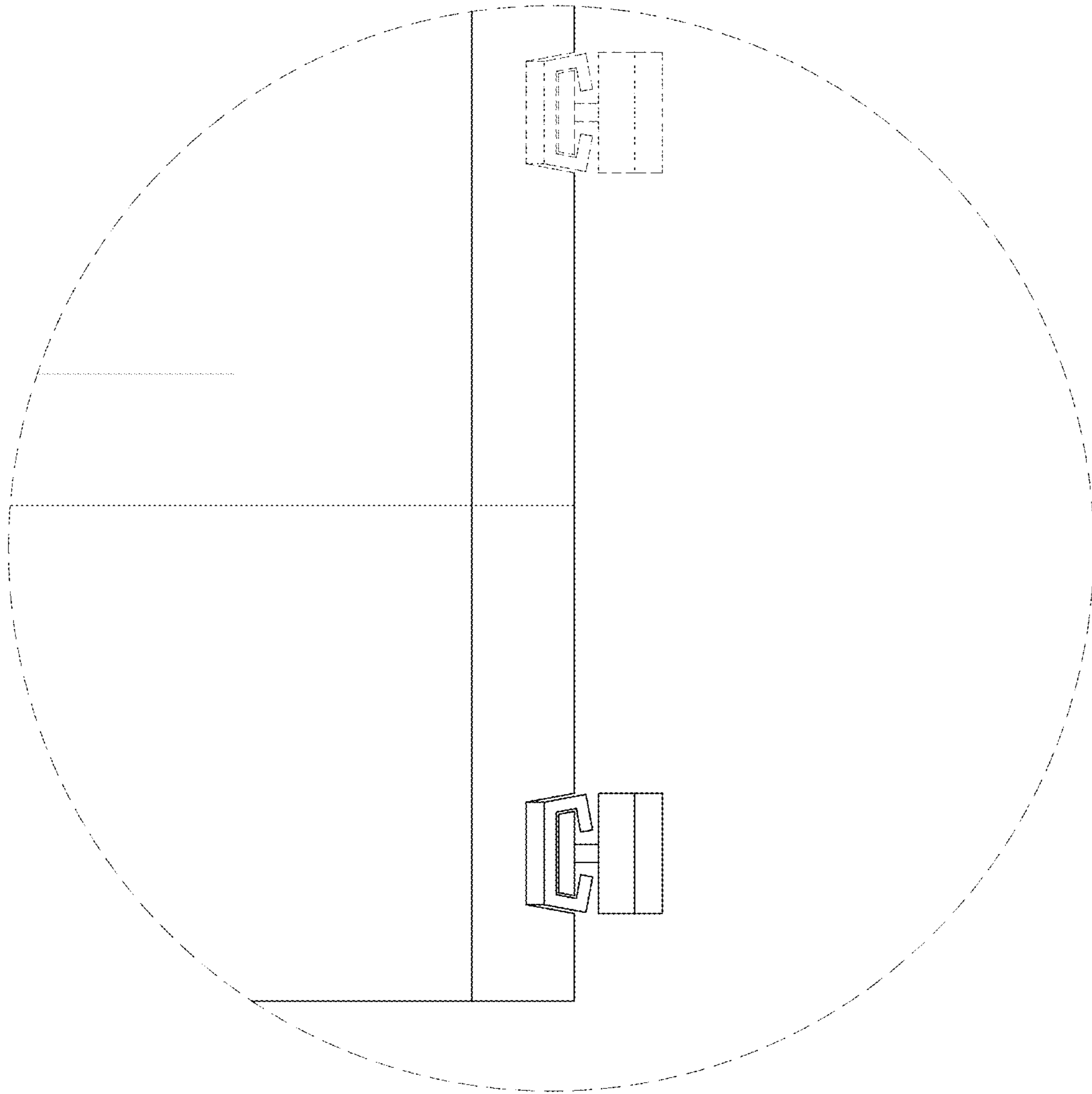


FIG. 12

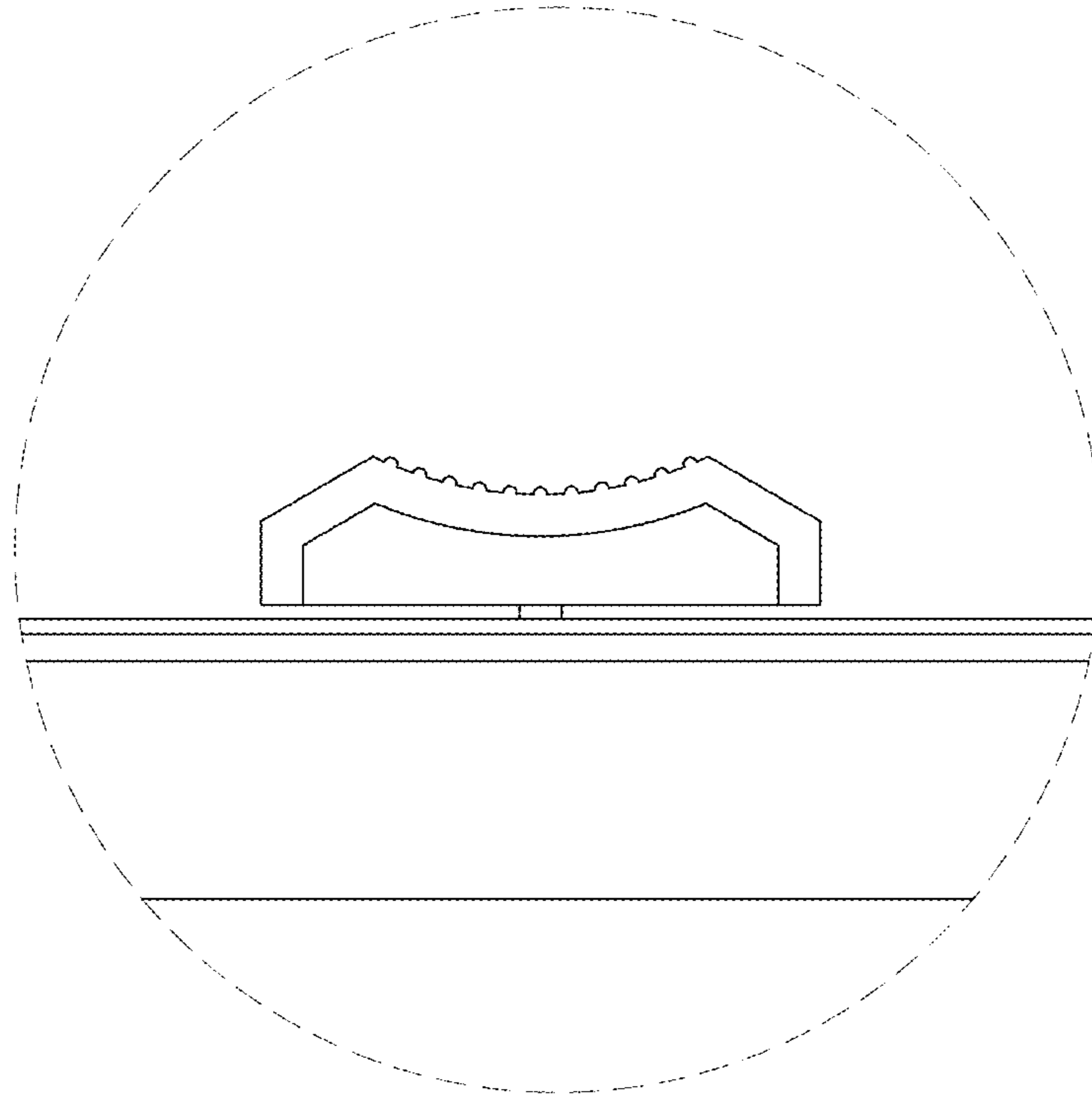


FIG. 13