



US00D988859S

(12) **United States Design Patent**
Milner

(10) **Patent No.:** **US D988,859 S**

(45) **Date of Patent:** **** Jun. 13, 2023**

(54) **MODULAR CLAMP BLOCK FOR TUBING**

(71) Applicant: **Travis Milner**, Hockley, TX (US)

(72) Inventor: **Travis Milner**, Hockley, TX (US)

(73) Assignee: **T&T TOOLS INTERNATIONAL LLC**, Katy, TX (US)

(**) Term: **15 Years**

(21) Appl. No.: **29/732,565**

(22) Filed: **Apr. 24, 2020**

(51) **LOC (14) Cl.** **08-08**

(52) **U.S. Cl.**
USPC **D8/396**; D8/394

(58) **Field of Classification Search**
USPC D8/380, 394-396
CPC F16L 3/00; F16L 3/22; F16L 3/221; F16L 3/2235

See application file for complete search history.

(56) **References Cited**

U.S. PATENT DOCUMENTS

- 3,894,706 A * 7/1975 Mizusawa F16L 3/237
248/68.1
- D261,292 S * 10/1981 Tong D8/394
- D265,926 S * 8/1982 D'Alo D8/356
- 4,557,447 A * 12/1985 Combe F16L 3/1008
248/62
- D381,176 S * 7/1997 Patois D34/29
- 6,206,330 B1 * 3/2001 Oi F16L 3/223
248/68.1
- 6,308,921 B1 * 10/2001 Borzucki F16L 3/237
248/68.1
- 6,325,336 B1 * 12/2001 Coykendall F16L 3/04
248/68.1
- D758,178 S * 6/2016 Kim D8/396
- D784,481 S * 4/2017 Ding D22/110
- D784,482 S * 4/2017 Ding D22/110

- D784,483 S * 4/2017 Ding D22/110
- D824,749 S * 8/2018 Wright D8/380
- D824,753 S * 8/2018 Chappus D8/380
- D841,424 S * 2/2019 Hikoyama D8/72
- D895,399 S * 9/2020 Ferreira D8/349

(Continued)

OTHER PUBLICATIONS

“Shimano Tubing Vise Blocks”, Apr. 28, 2012, Amazon.com, site visited Mar. 28, 2022: <https://www.amazon.com/SHIMANO-Tubing-vise-blocks-TL-BH61/dp/B0035VVGJU> (Year: 2012).*

(Continued)

Primary Examiner — Jack Reickel

Assistant Examiner — Michael A Kervin

(74) *Attorney, Agent, or Firm* — Egbert, McDaniel & Swartz, PLLC

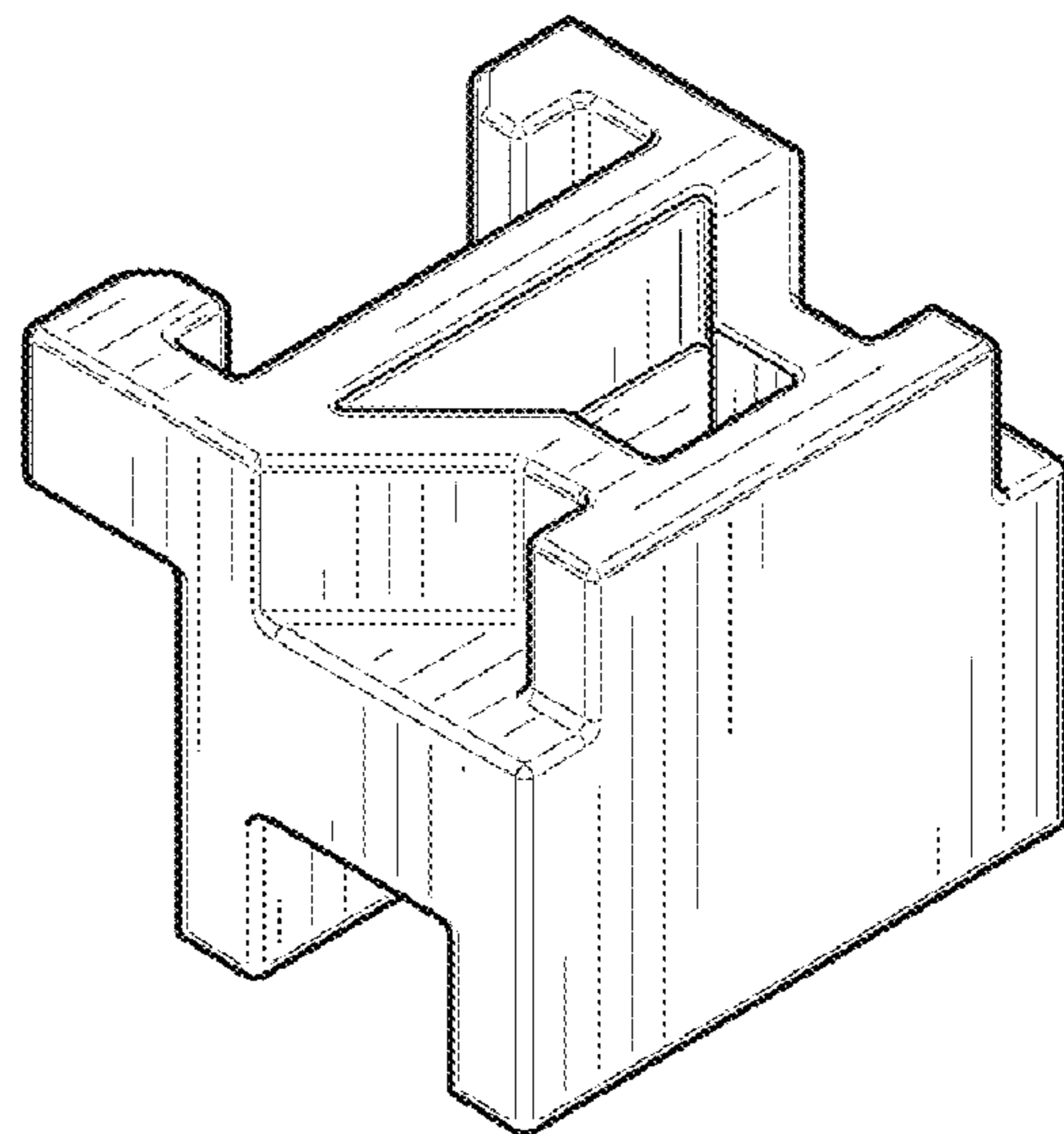
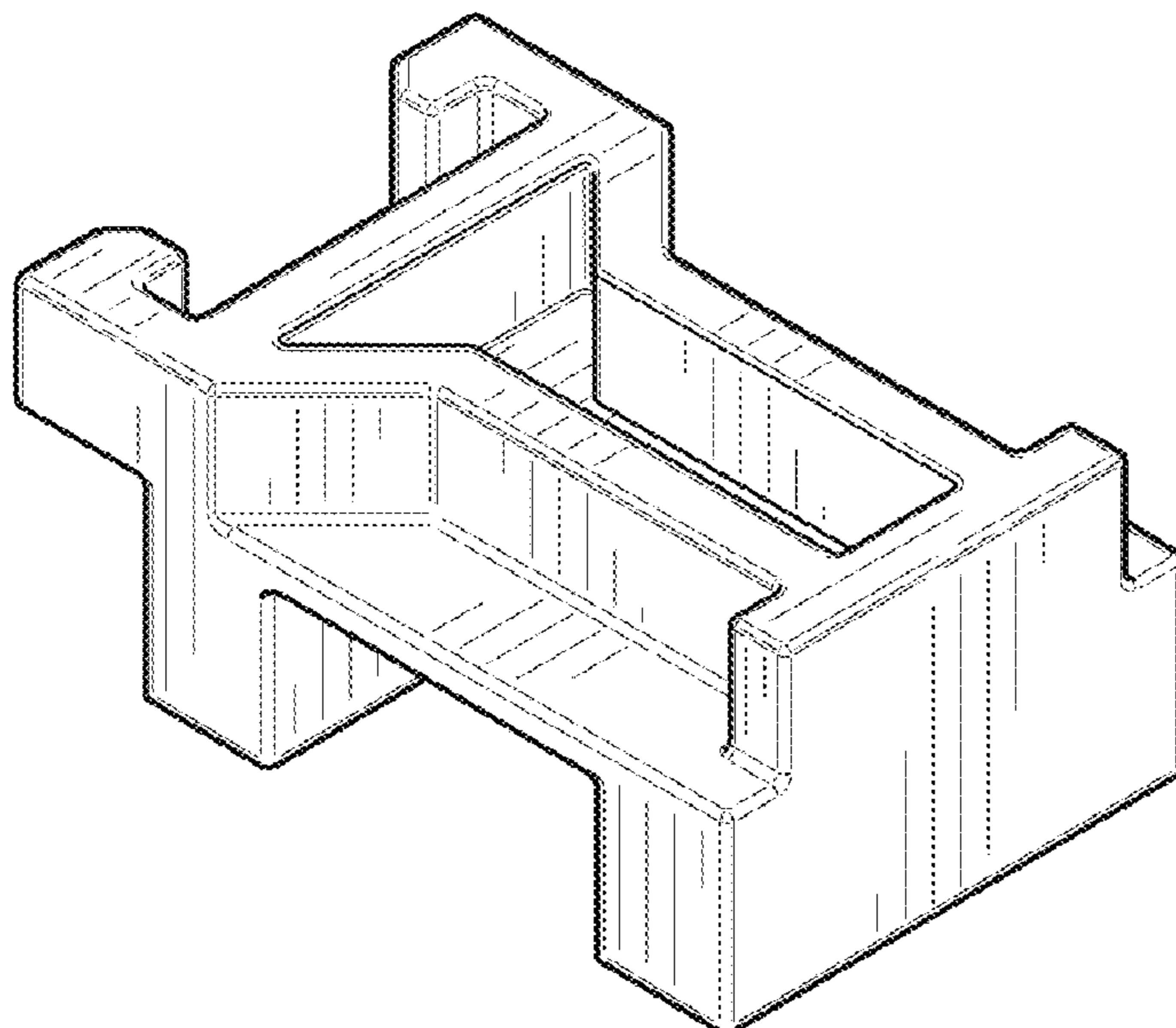
(57) **CLAIM**

The ornamental design for a modular clamp block for tubing, as shown and described.

DESCRIPTION

FIG. 1 is a perspective view of a first embodiment of a modular clamp block for tubing showing my new design. FIG. 2 is a top view thereof; FIG. 3 is a bottom view thereof; FIG. 4 is a rear view thereof; FIG. 5 is a front view thereof; FIG. 6 is a side view thereof; FIG. 7 is an opposite side view thereof; FIG. 8 is a perspective view of a second embodiment thereof; FIG. 9 is a top view of FIG. 8; FIG. 10 is bottom view of FIG. 8; FIG. 11 is a rear view of FIG. 8; FIG. 12 is a front view of FIG. 8; FIG. 13 is a side view of FIG. 8; and, FIG. 14 is an opposite side view of FIG. 8.

1 Claim, 2 Drawing Sheets



(56)

References Cited

U.S. PATENT DOCUMENTS

D904,861	S	*	12/2020	McWilliams	D8/354
D909,179	S	*	2/2021	Kovacs	D8/349
D928,599	S	*	8/2021	Kovacs	D8/380
D929,855	S	*	9/2021	Kovacs	D8/380
2014/0319290	A1	*	10/2014	Robert, Jr.	F16L 3/223
						248/68.1
2015/0136491	A1	*	5/2015	White	E21B 43/126
						175/57
2017/0009909	A1	*	1/2017	Robert, Jr.	F16L 3/1091
2018/0105989	A1	*	4/2018	Buschman	B05C 11/025
2018/0266617	A1	*	9/2018	Yoon	C23F 13/18
2019/0120408	A1	*	4/2019	Milner	F16B 2/12
2019/0323632	A1	*	10/2019	Bechtold	F16L 3/2235
2020/0340602	A1	*	10/2020	Kumar	F16L 3/1203

OTHER PUBLICATIONS

“ZSI T-3014C Beta Twin .5inx.5in Pipe Cushion”, May 23, 2016, Amazon.com, site visited Mar. 28, 2022: <https://www.amazon.com/T-3014C-Beta-Twin-2inx1-Cushion/dp/B0098O1PCQ> (Year: 2016).*

“Beta Clamp Assembly, Single, 1 in Pipe”, Sep. 29, 2017, Amazon.com, site visited Mar. 28, 2022: <https://www.amazon.com/Beta-Clamp-Assembly-Single-Pipe/dp/B0763JZXVP> (Year: 2017).*

* cited by examiner

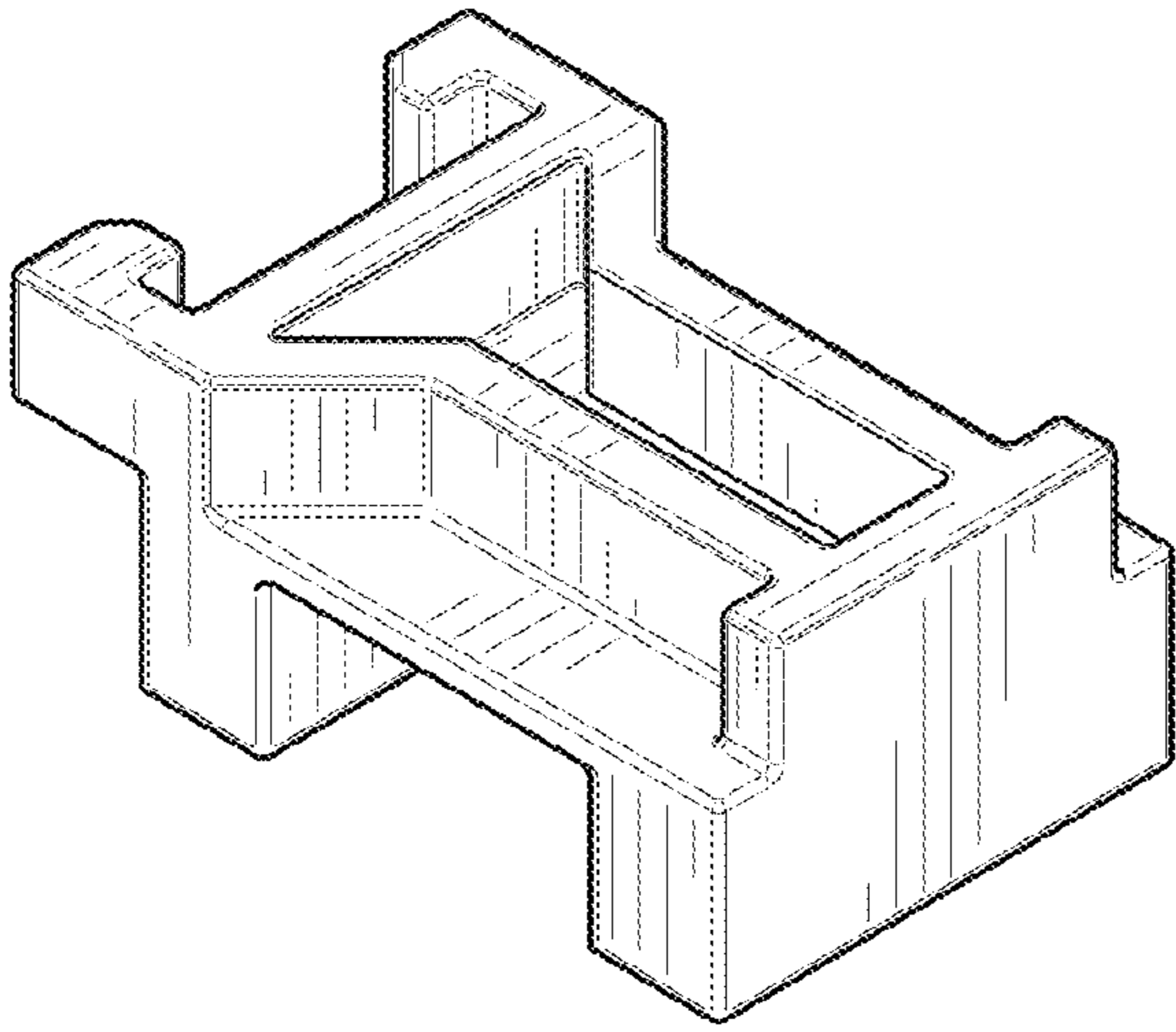


FIG. 1

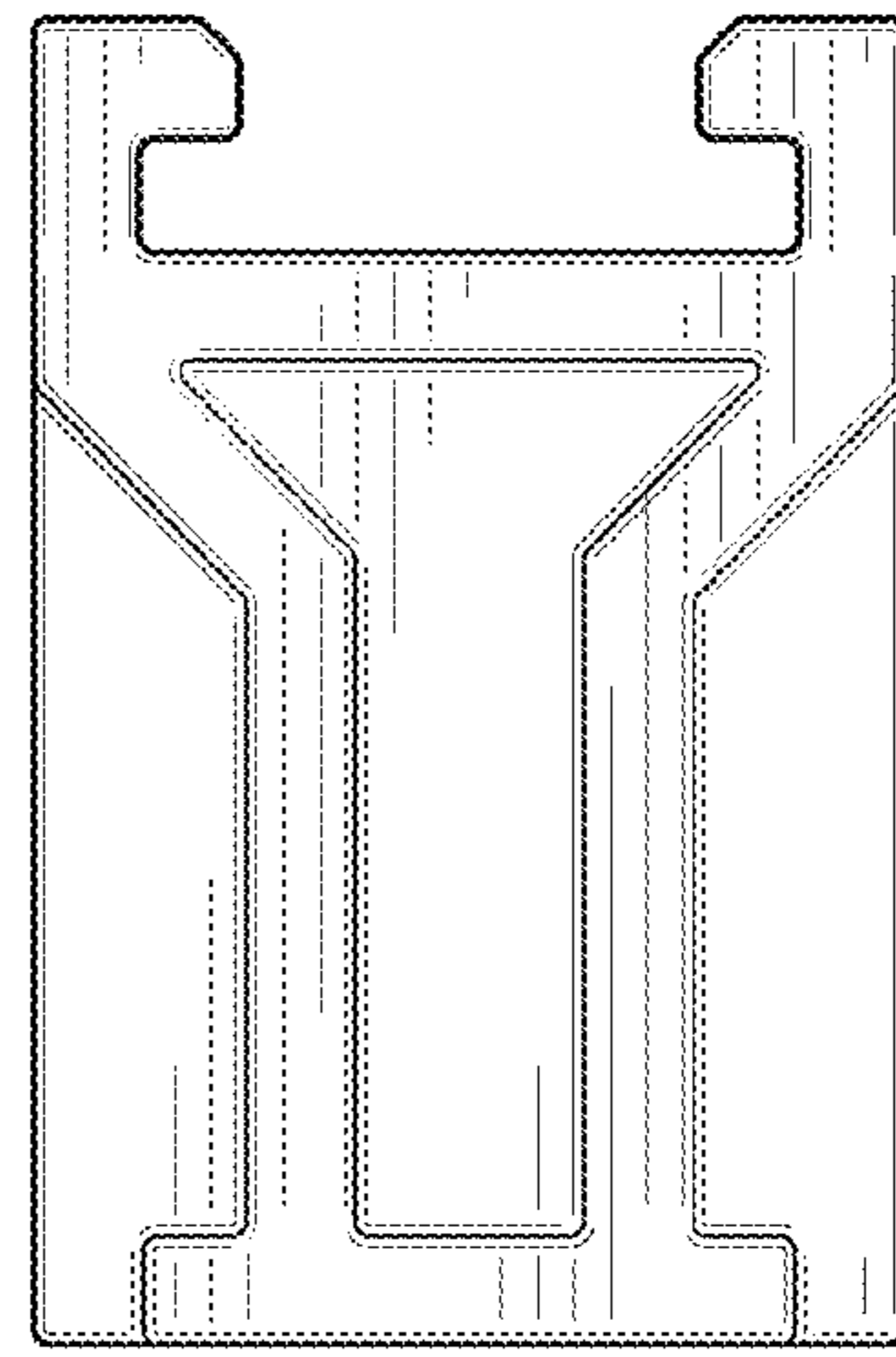


FIG. 2

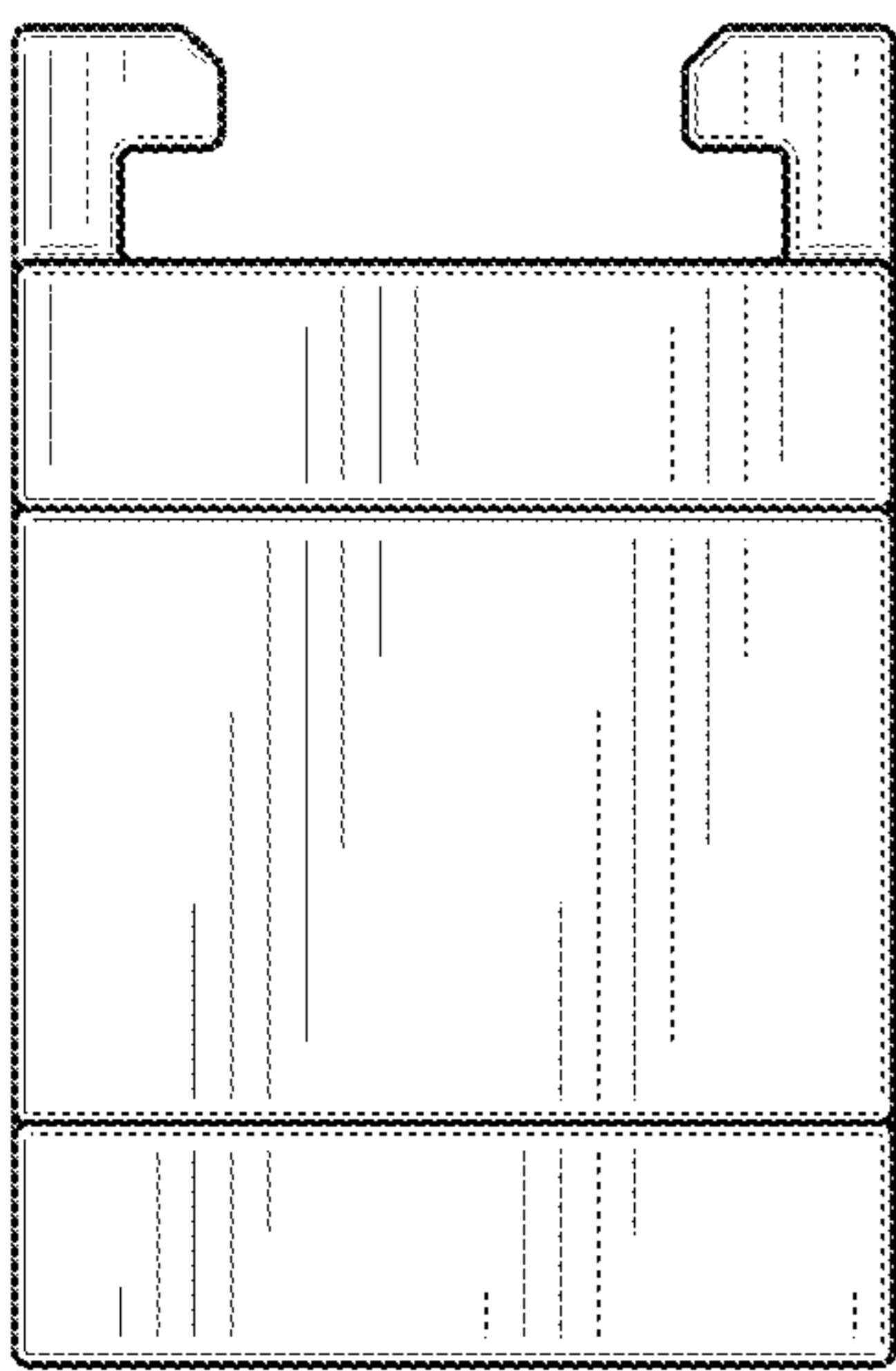


FIG. 3

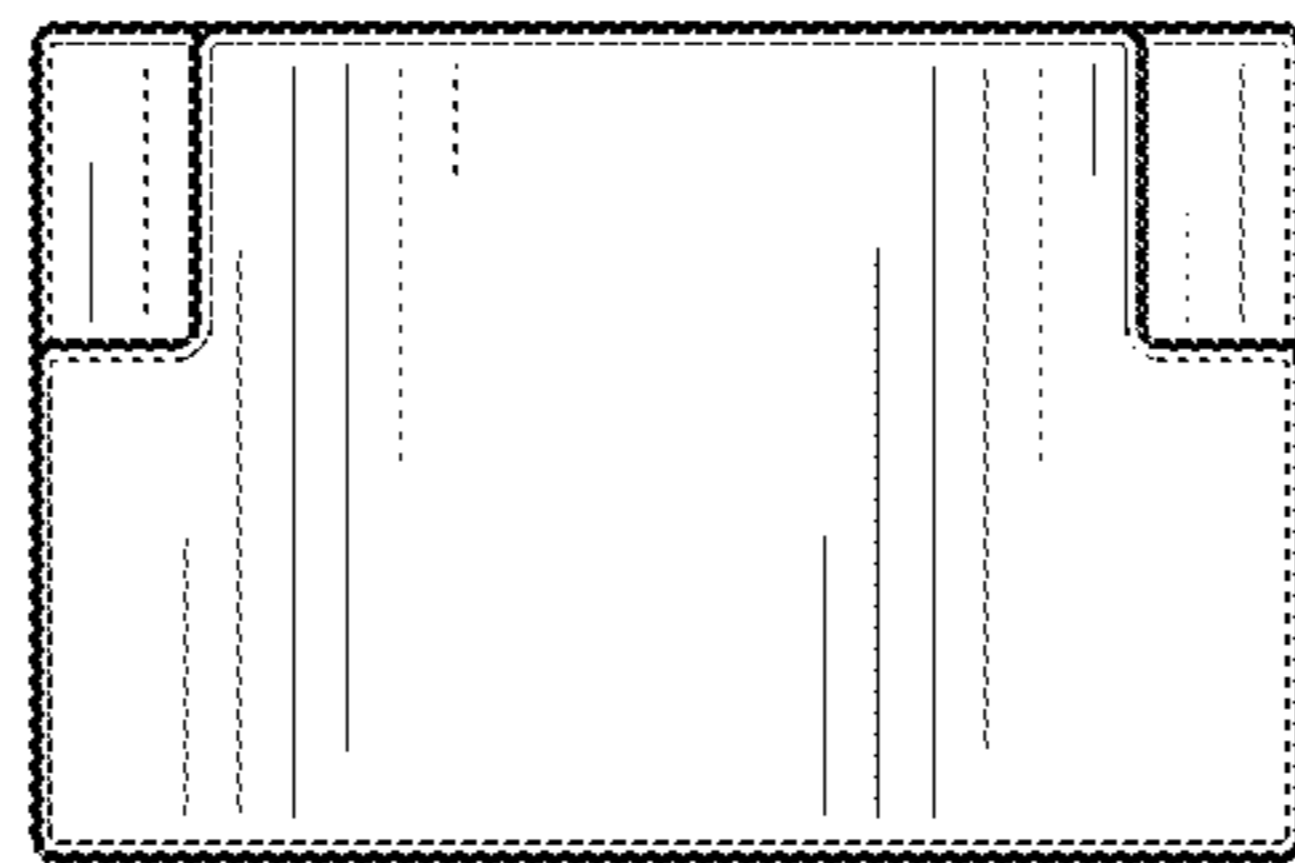


FIG. 4

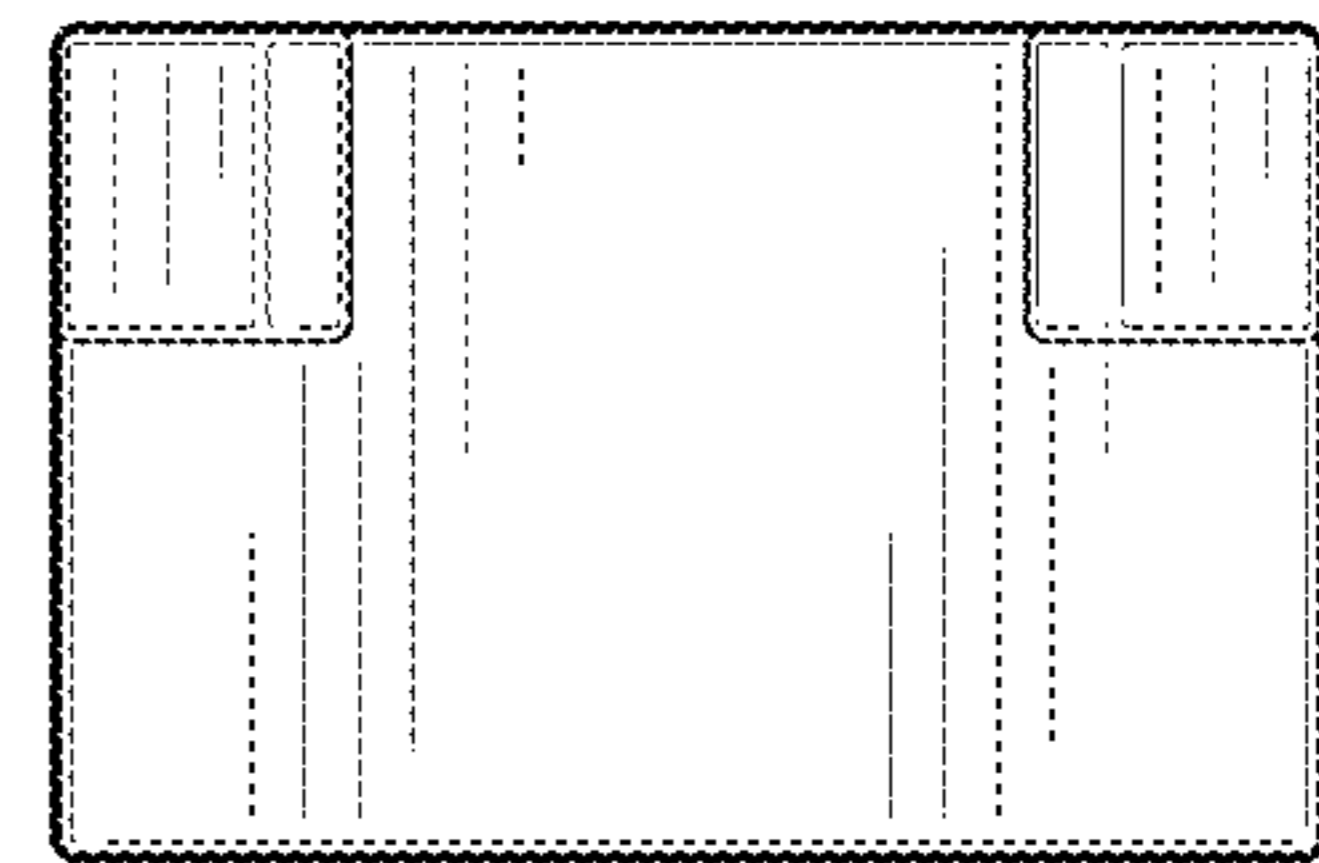


FIG. 5

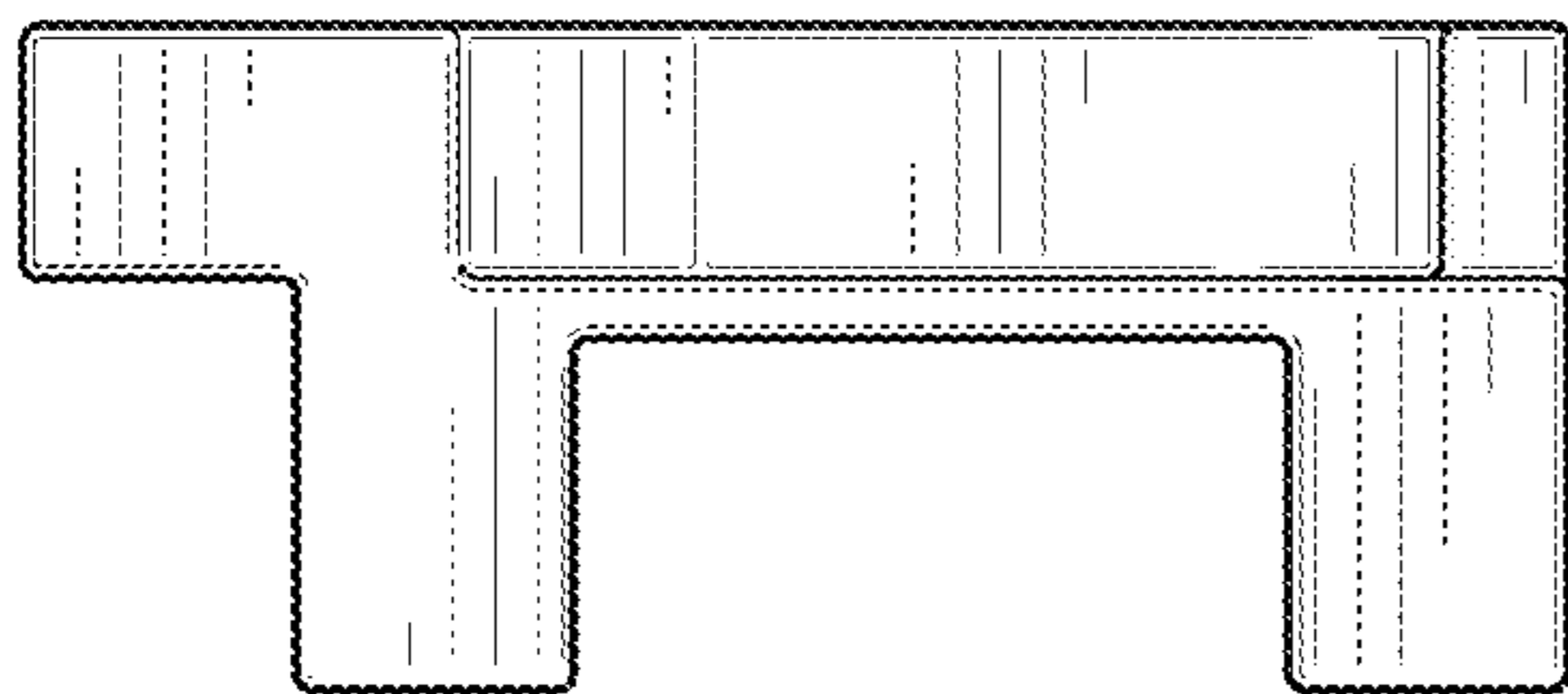


FIG. 6

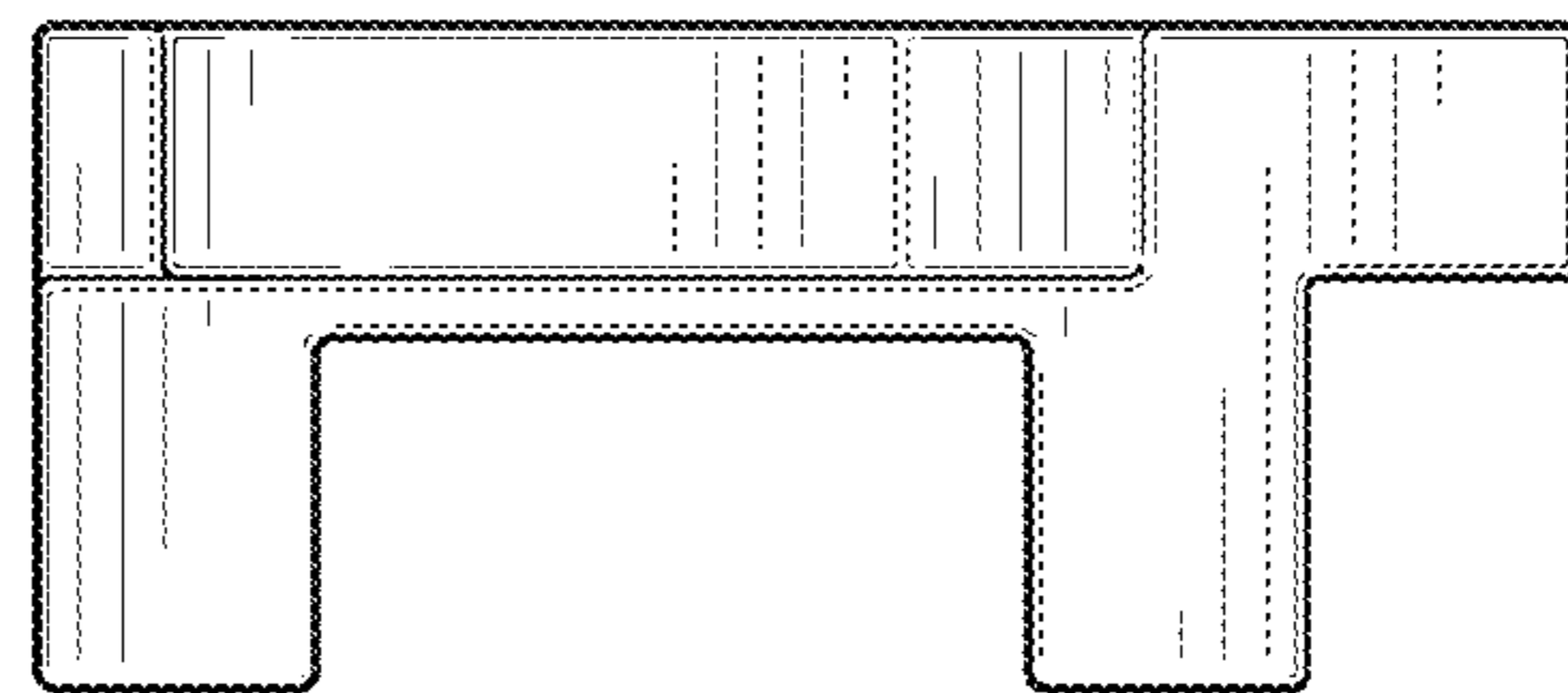


FIG. 7

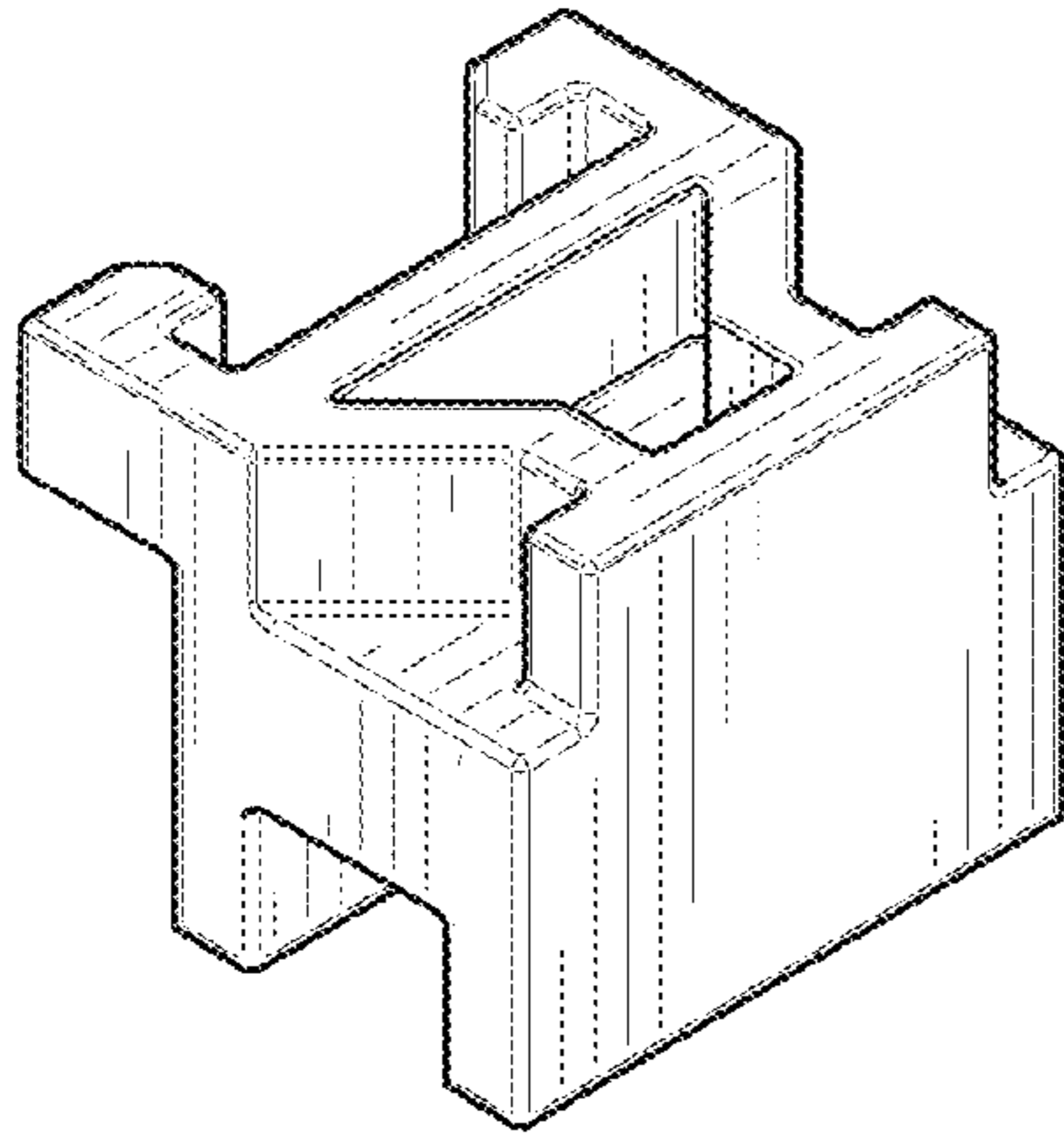


FIG. 8

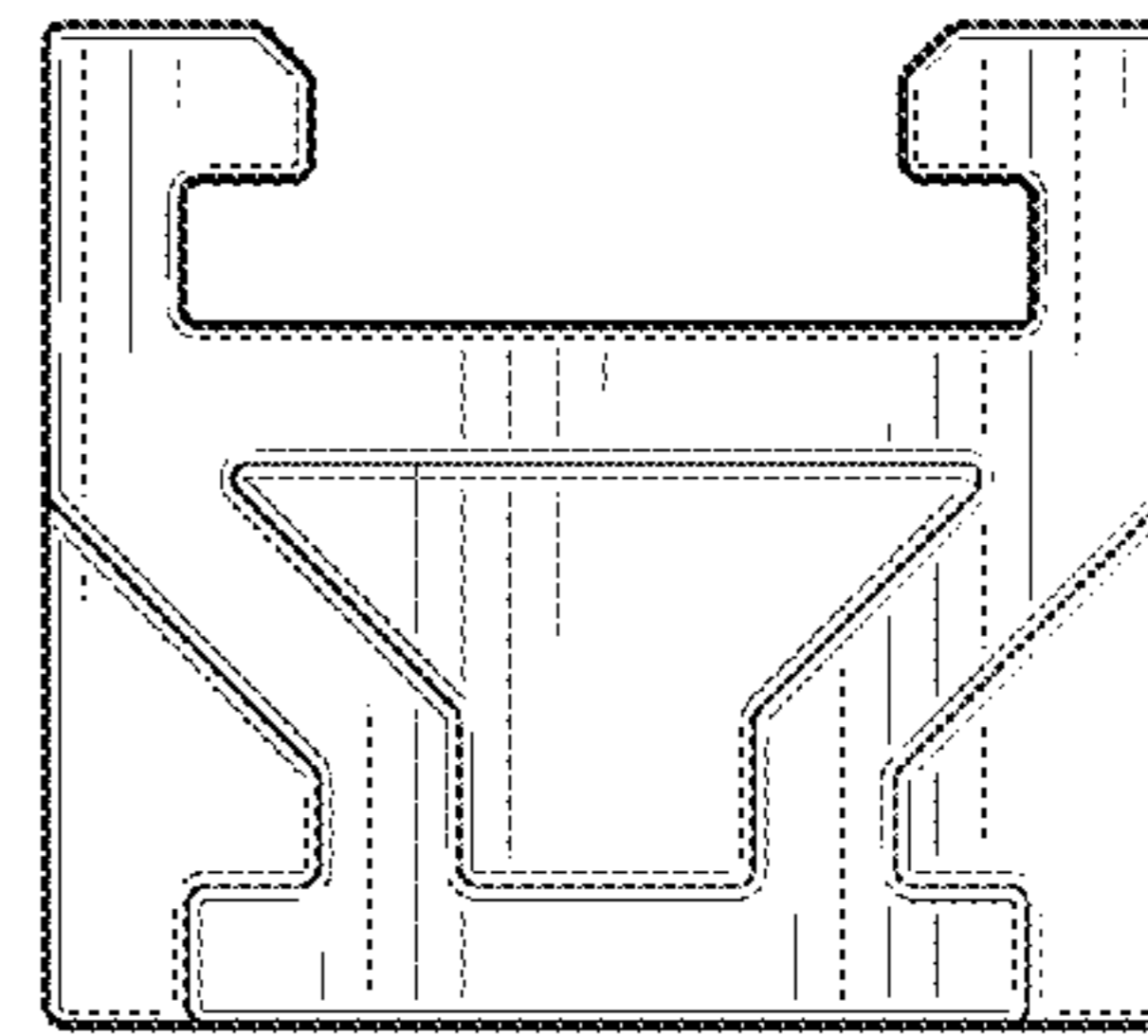


FIG. 9

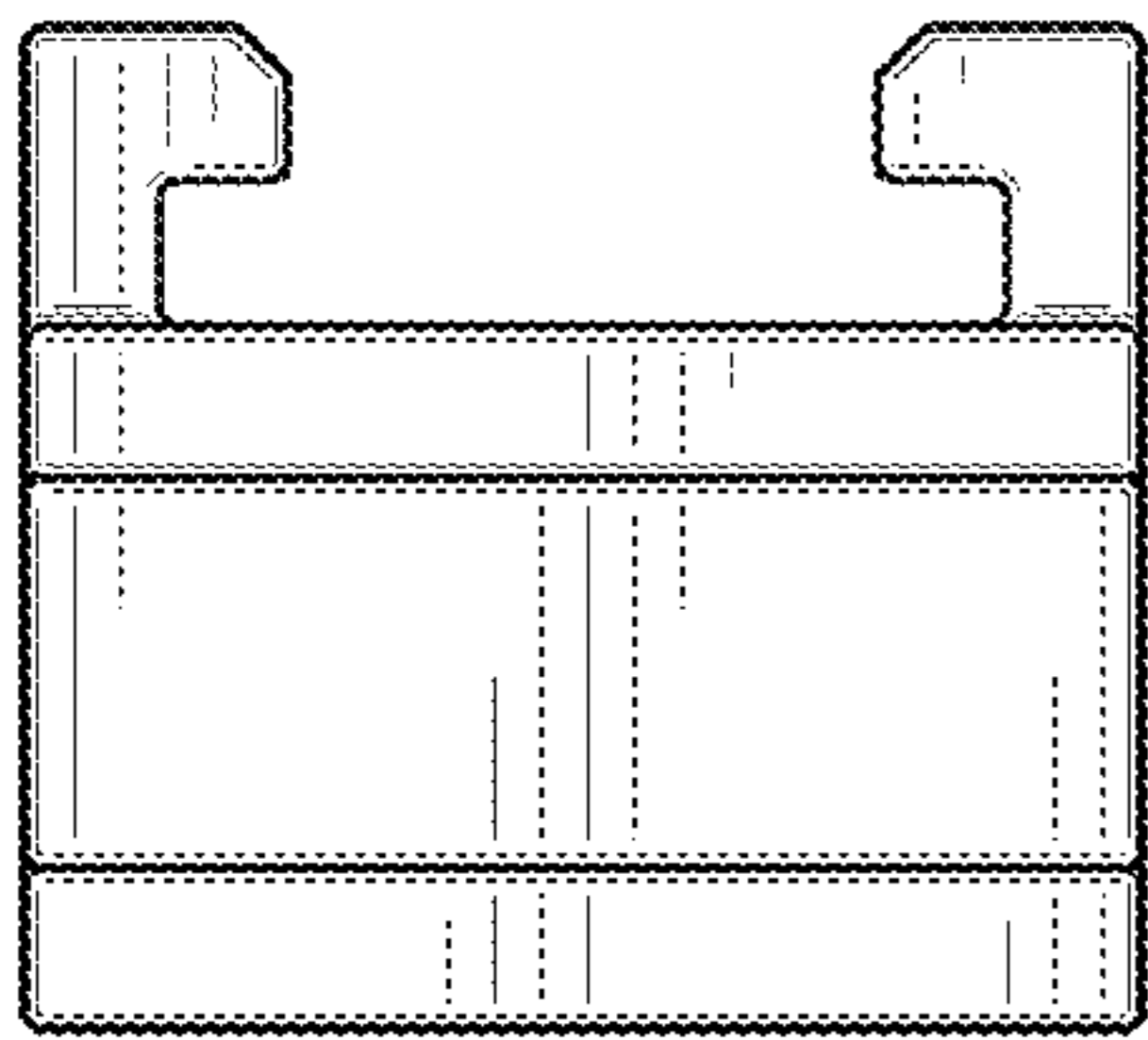


FIG. 10

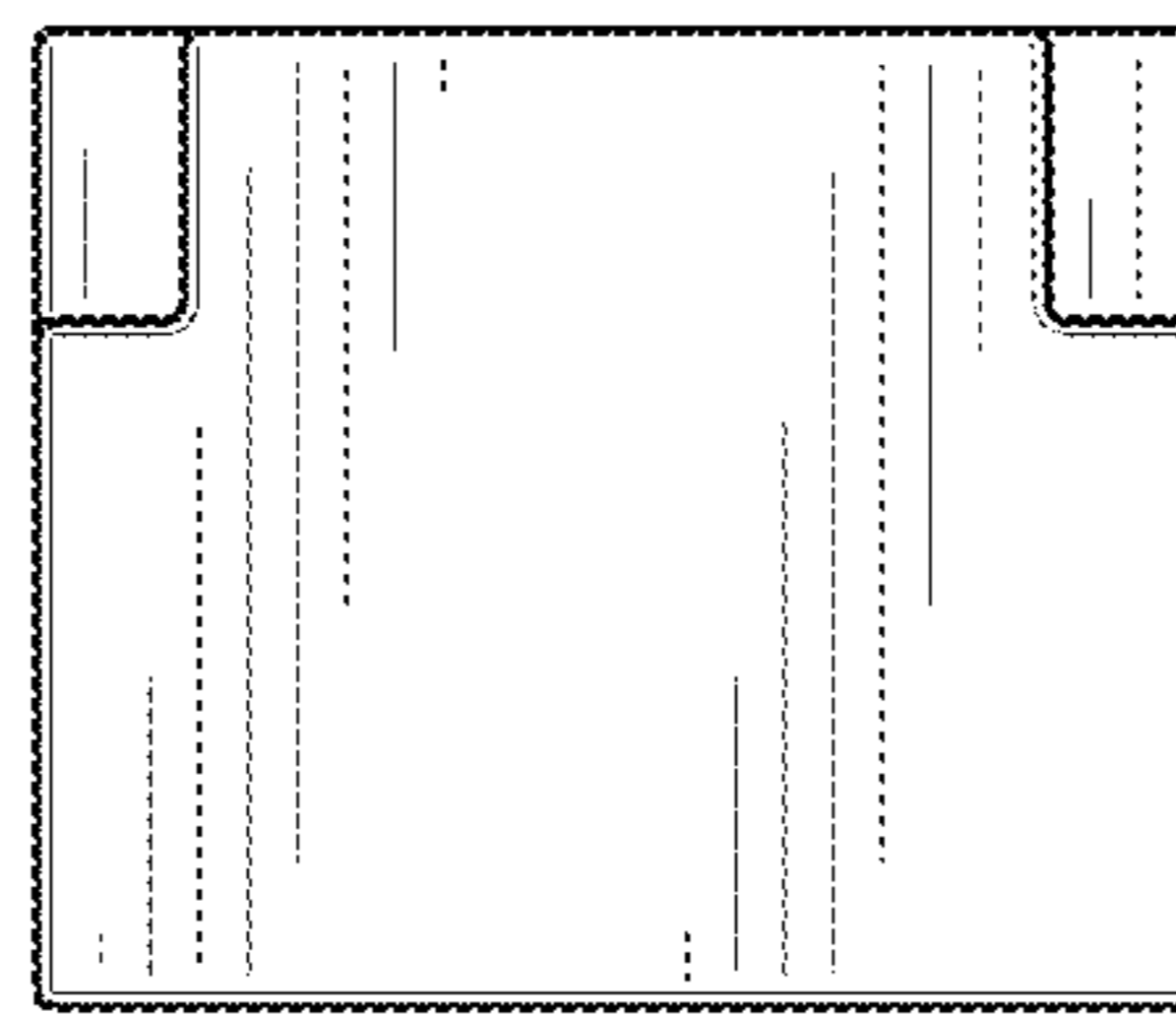


FIG. 11

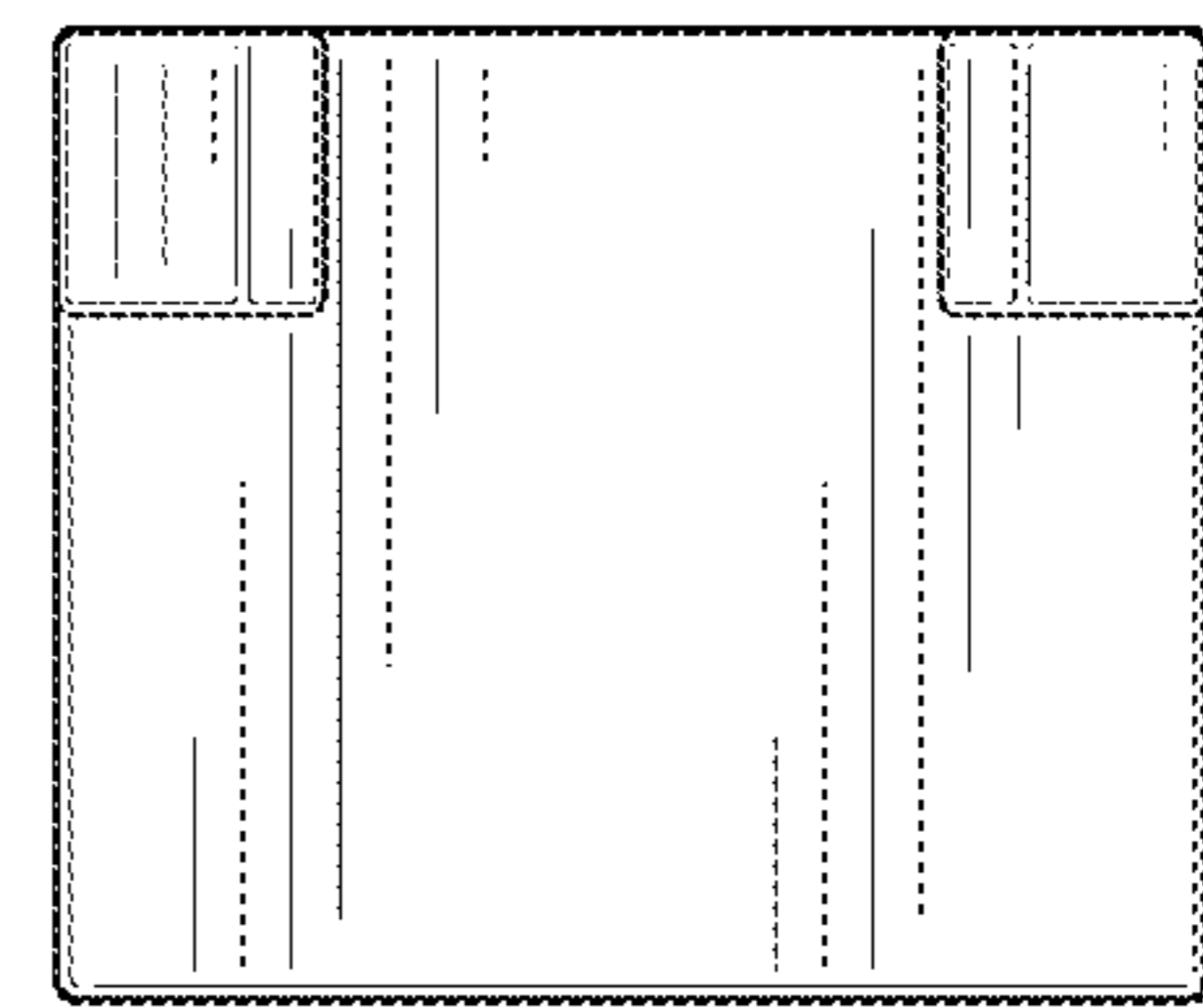


FIG. 12

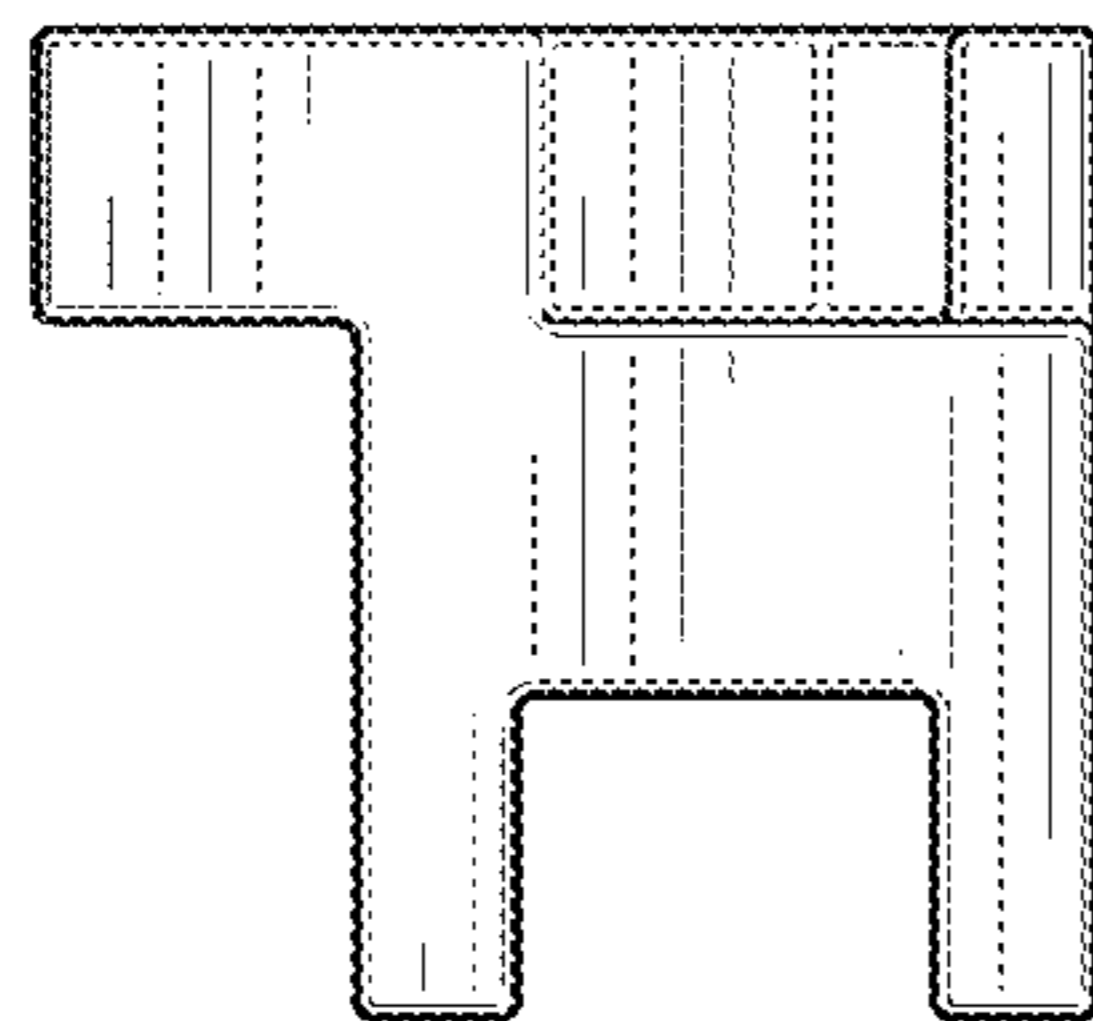


FIG. 13

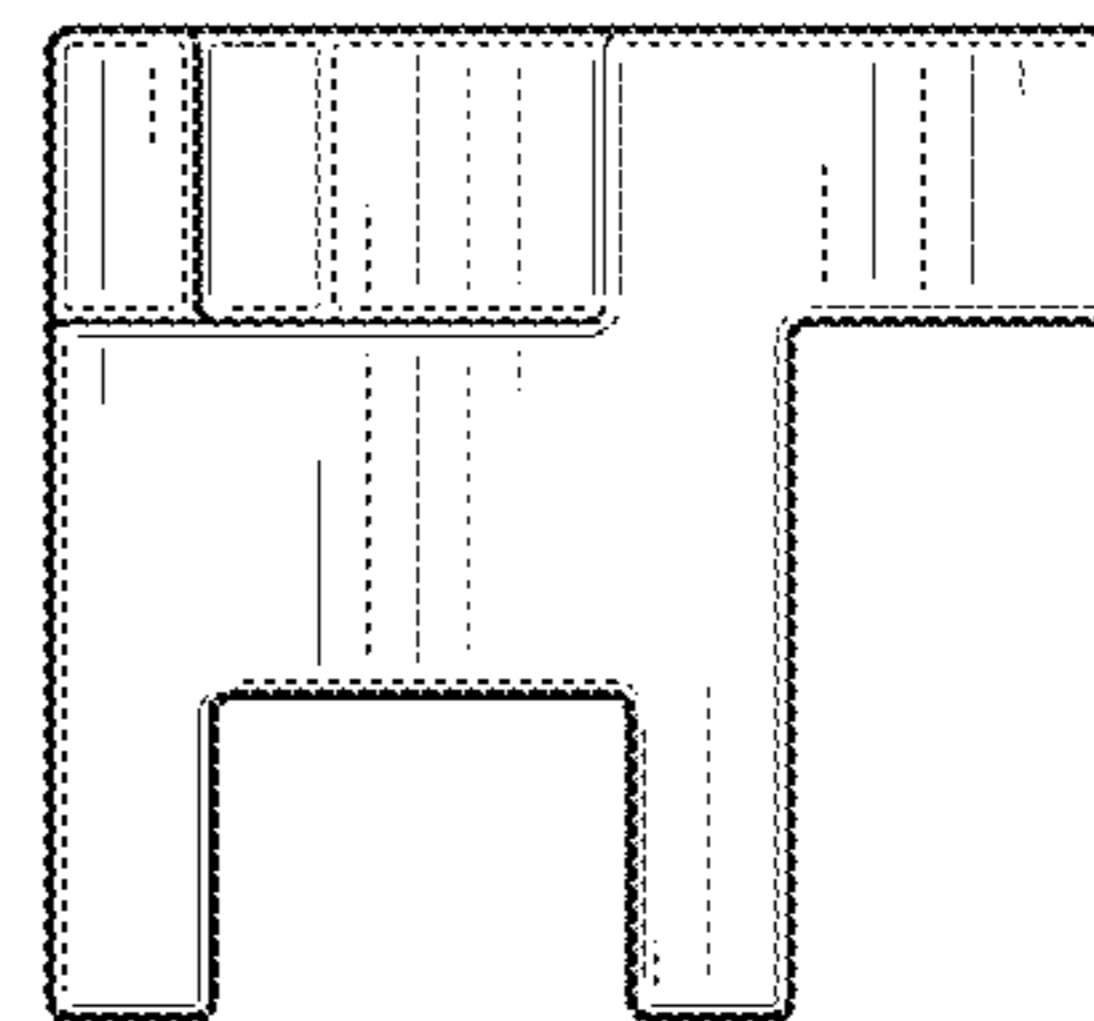


FIG. 14