



US00D988858S

(12) **United States Design Patent** (10) **Patent No.:** **US D988,858 S**
Terzic (45) **Date of Patent:** **** Jun. 13, 2023**

(54) **COMBINED HOUSING AND COVER FOR SAFETY SENSORS**

(71) Applicant: **M&R TECHNOLOGY, INC.**, San Diego, CA (US)

(72) Inventor: **Milorad M Terzic**, Carlsbad, CA (US)

(73) Assignee: **M&R TECHNOLOGY, INC.**, San Diego, CA (US)

(**) Term: **15 Years**

(21) Appl. No.: **29/762,186**

(22) Filed: **Dec. 15, 2020**

Related U.S. Application Data

(62) Division of application No. 17/122,088, filed on Dec. 15, 2020, now abandoned.

(60) Provisional application No. 62/706,548, filed on Aug. 24, 2020.

(51) **LOC (14) Cl.** **08-08**

(52) **U.S. Cl.**
USPC **D8/395**

(58) **Field of Classification Search**
USPC D8/394, 395, 396, 349, 352, 382, 72, 73;
D11/215, 214; D16/242, 245
CPC . E04F 13/0846; E04F 13/0826; E04F 13/142;
E04F 13/0885; E04F 13/0862; E04F
2015/02094
See application file for complete search history.

(56) **References Cited**

U.S. PATENT DOCUMENTS

6,655,099 B1 * 12/2003 Trenoweth E04B 1/34315
52/243
D488,055 S * 4/2004 Ter Braak D8/377
D541,953 S * 5/2007 Deleu D25/122
D642,952 S * 8/2011 Elwell D10/121
D665,922 S * 8/2012 Yoder D25/61
9,016,020 B1 * 4/2015 Yang E04F 13/072
52/511

9,109,368 B2 * 8/2015 Mackenzie E04F 13/0846
D790,732 S * 6/2017 Singh D25/119
D791,400 S * 7/2017 Sonneman D26/138
10,900,238 B2 * 1/2021 Lehmann E04F 13/0814
2006/0213142 A1 * 9/2006 Albracht E04D 13/158
52/543

(Continued)

FOREIGN PATENT DOCUMENTS

WO WOD205244-007 * 1/2020

OTHER PUBLICATIONS

Sensor Protective Cover Google.com, [online], [site visited Dec. 23, 2021], Available from internet URL: <https://www.mecampbell.com/square-d-by-schneider-xuzd25-sensor-protective-cover.html> (Year: NA).*

Primary Examiner — Omeed Agilee

(74) *Attorney, Agent, or Firm* — Goma Law, PLLC;
Tawfik A. Goma

(57) **CLAIM**

The ornamental design for a combined housing and cover for safety sensors, as shown.

DESCRIPTION

FIG. 1 is a perspective view of the combined housing and cover for safety sensors.

FIG. 2 is an end view of the presently disclosed housing.

FIG. 3 is an end view of the presently disclosed housing cover.

FIG. 4 is a top perspective view of the housing.

FIG. 5 is a bottom perspective view of the housing.

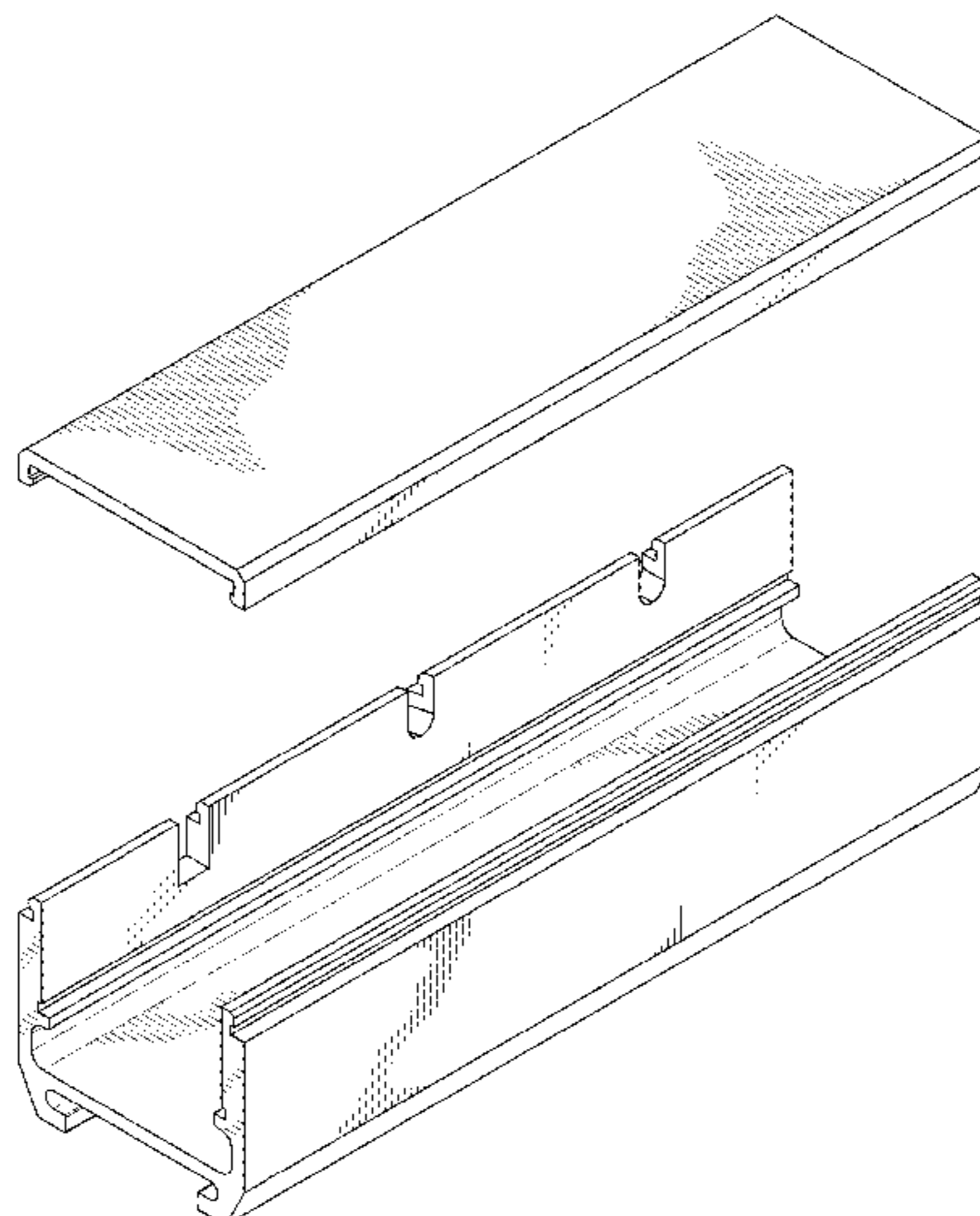
FIG. 6 is another bottom perspective view of the housing.

FIG. 7 is a top perspective view of the housing cover.

FIG. 8 is a bottom perspective view of the housing cover; and,

FIG. 9 is another bottom perspective view of the housing cover.

1 Claim, 5 Drawing Sheets



(56)

References Cited

U.S. PATENT DOCUMENTS

2018/0320384 A1* 11/2018 Pinnegar E04F 13/0885

* cited by examiner

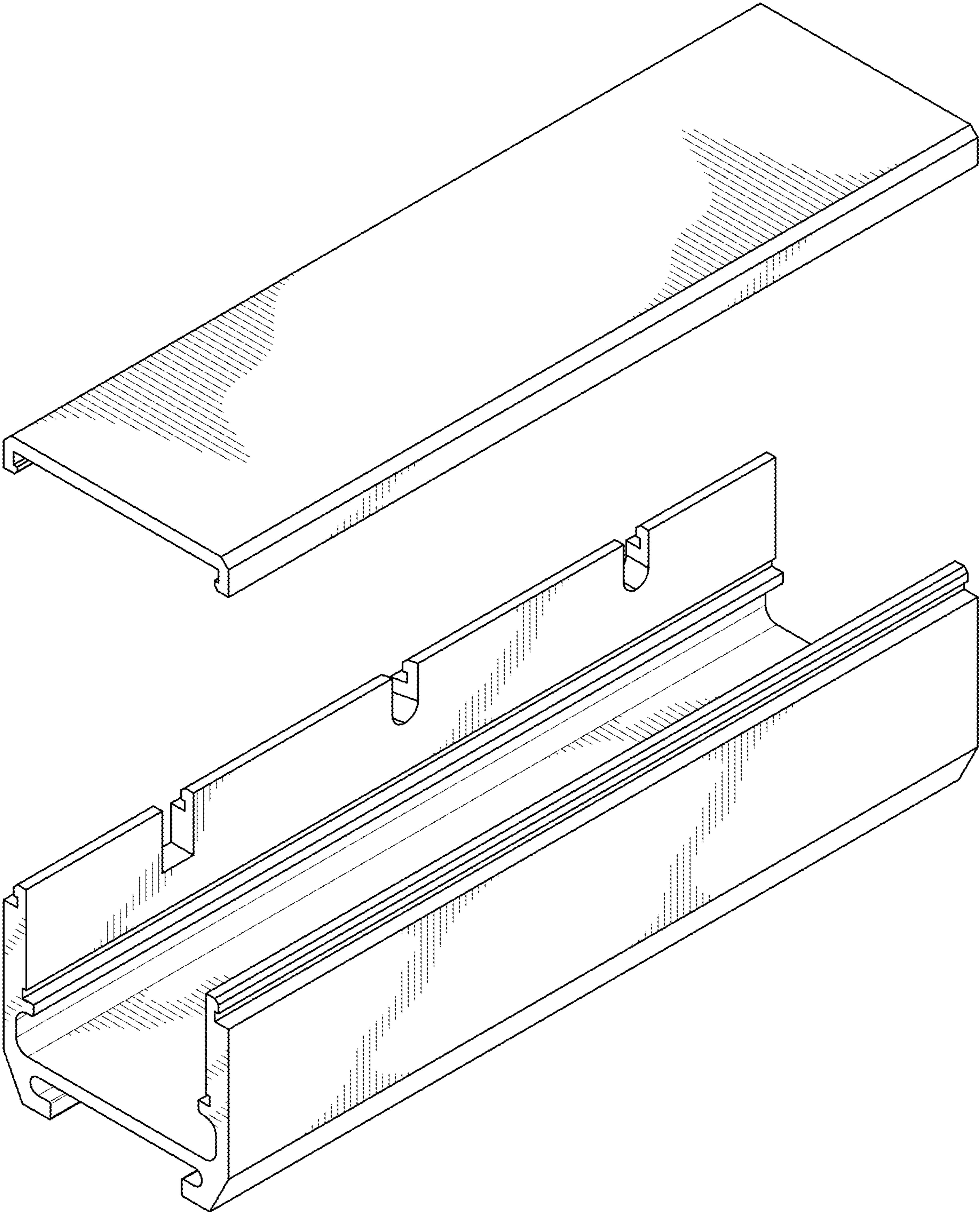


FIG. 1

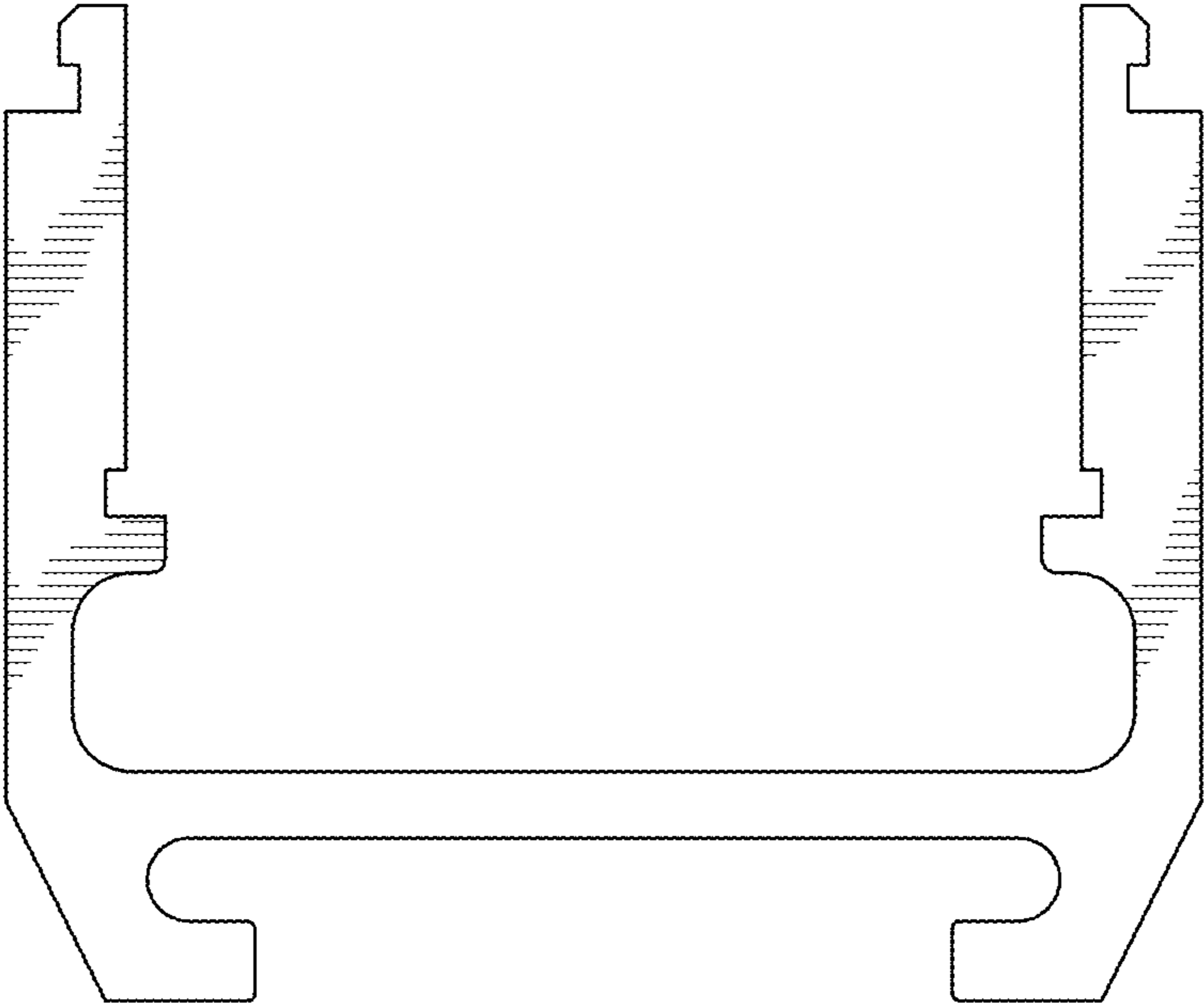


FIG. 2

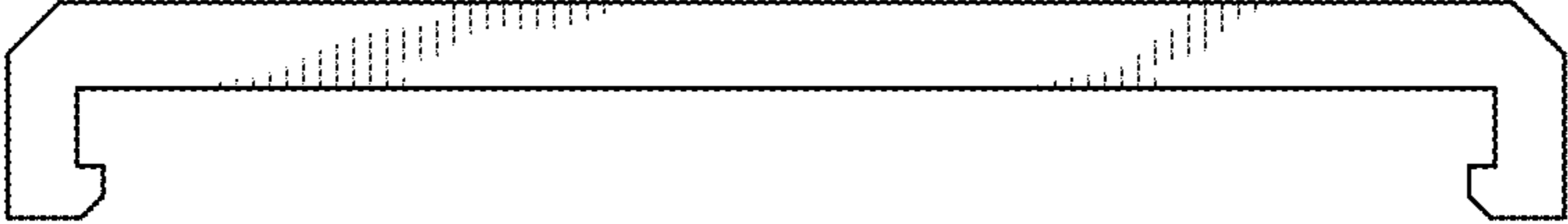


FIG. 3

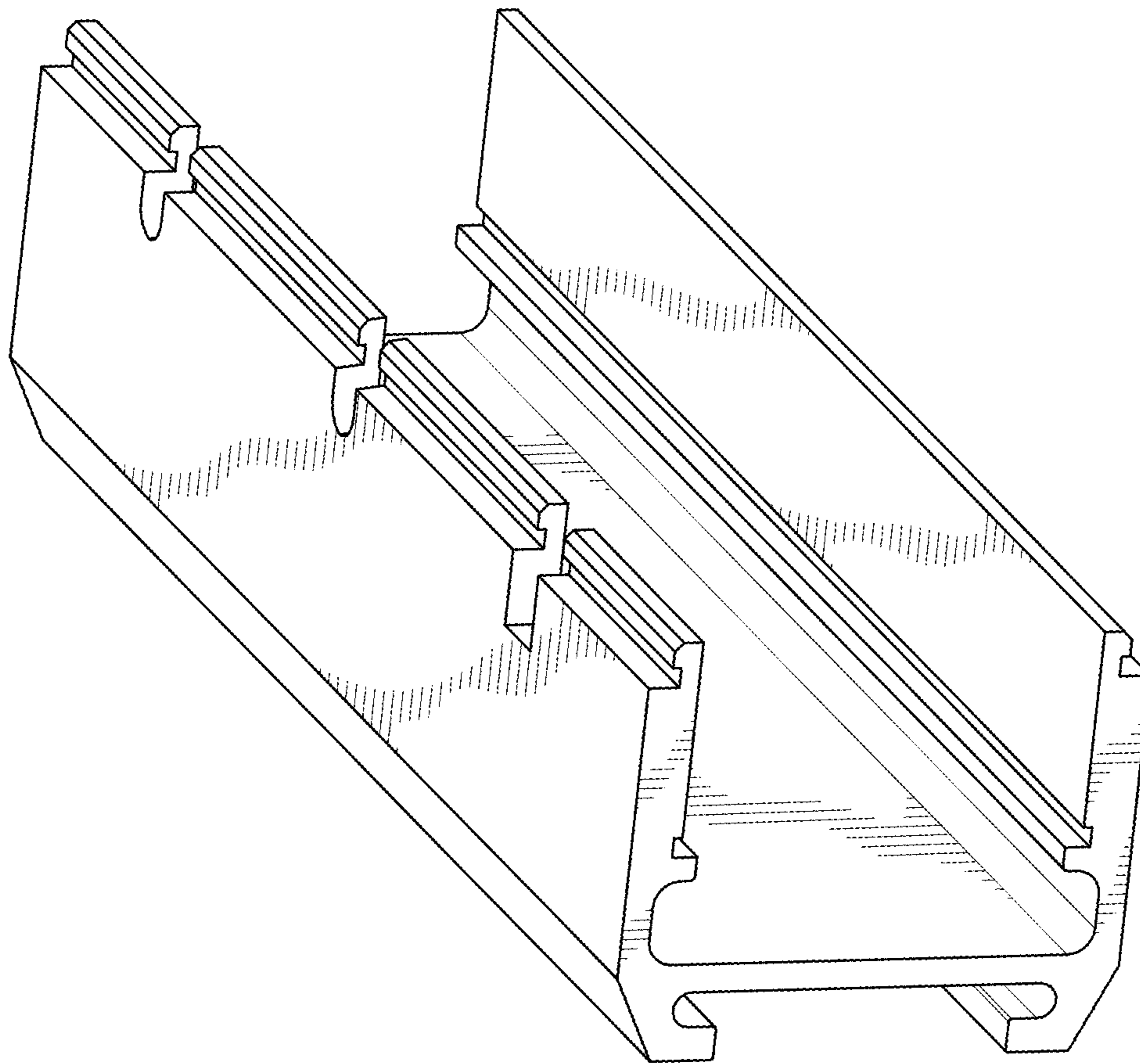


FIG.4

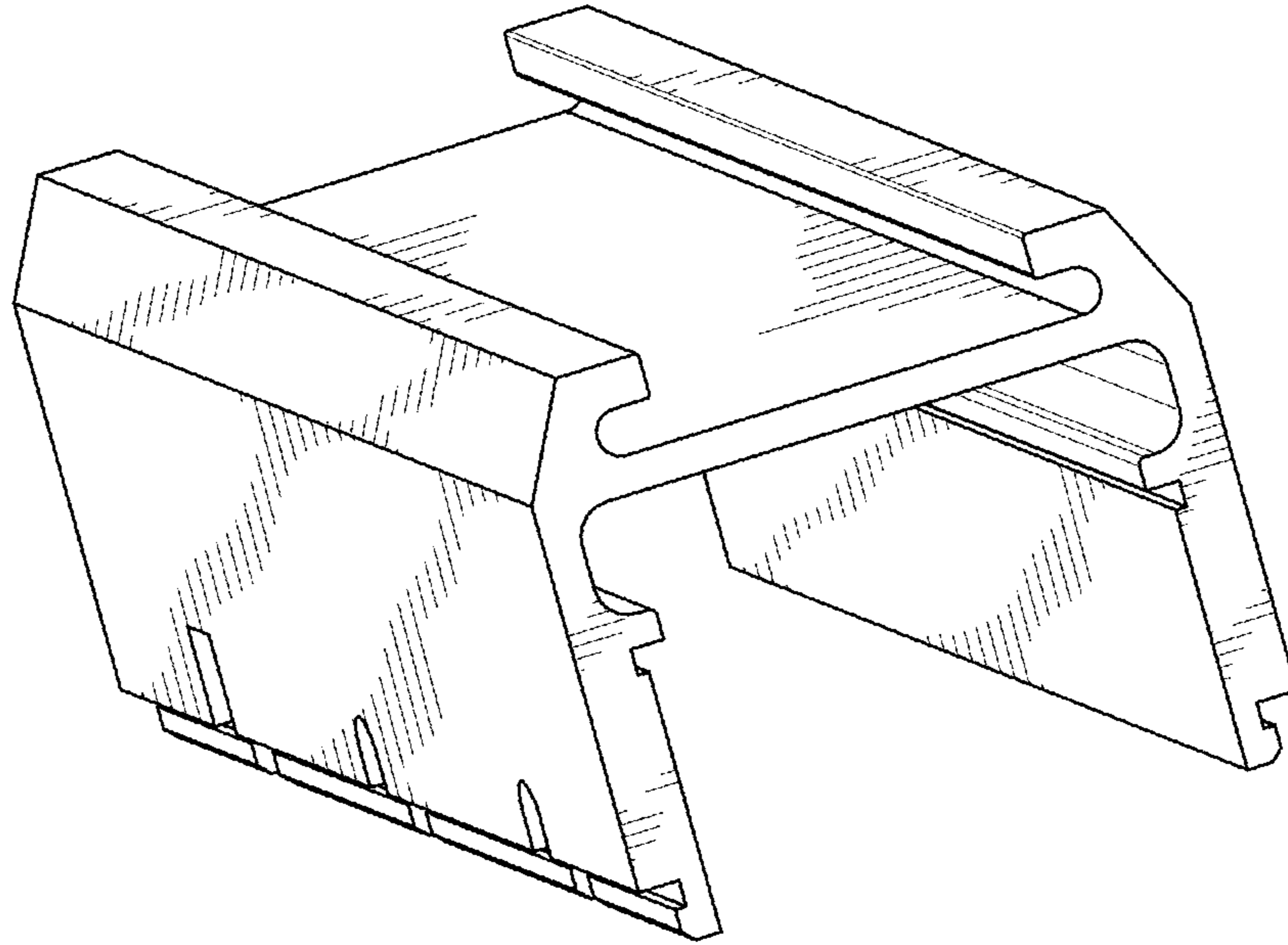


FIG. 5

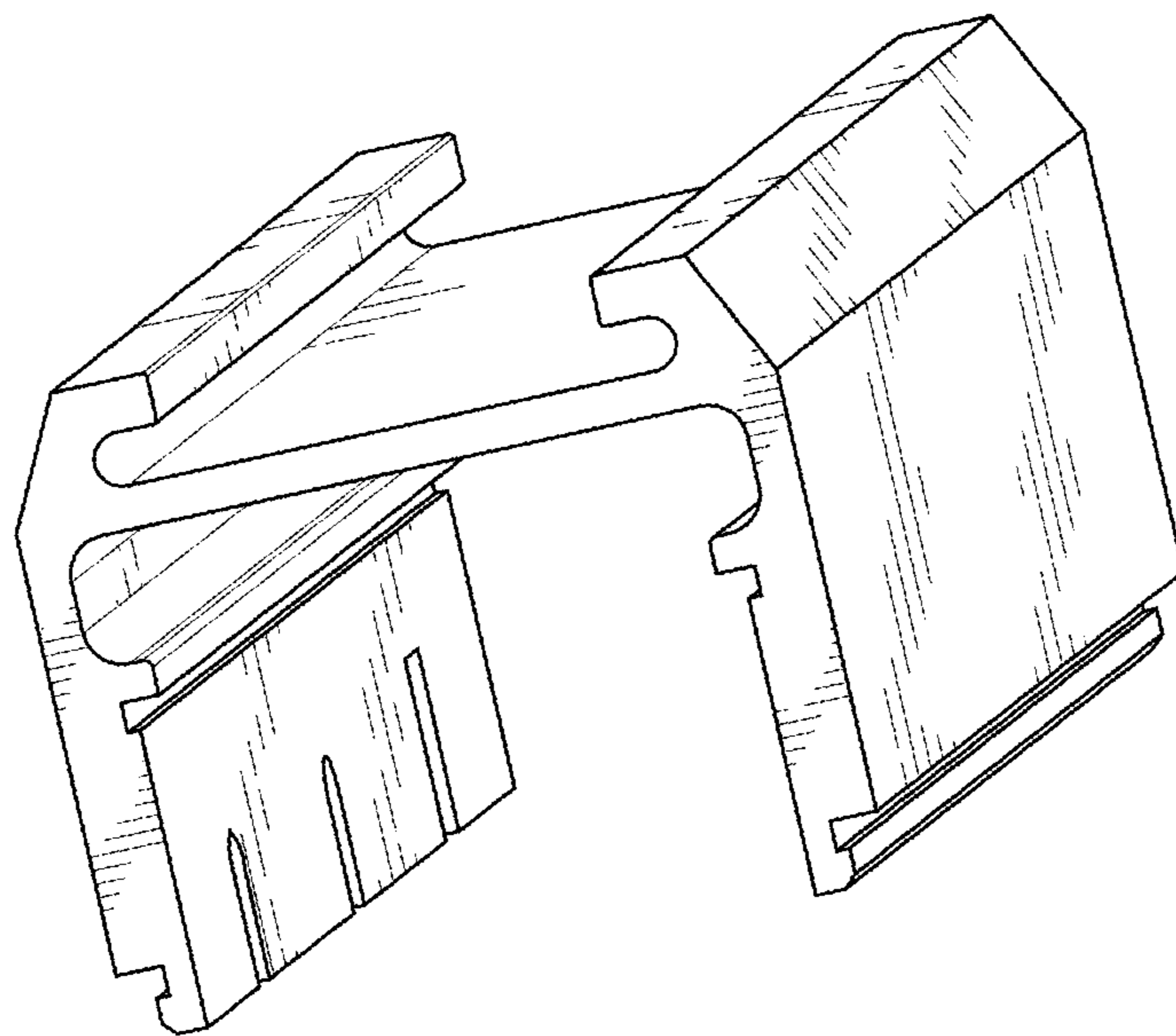


FIG. 6

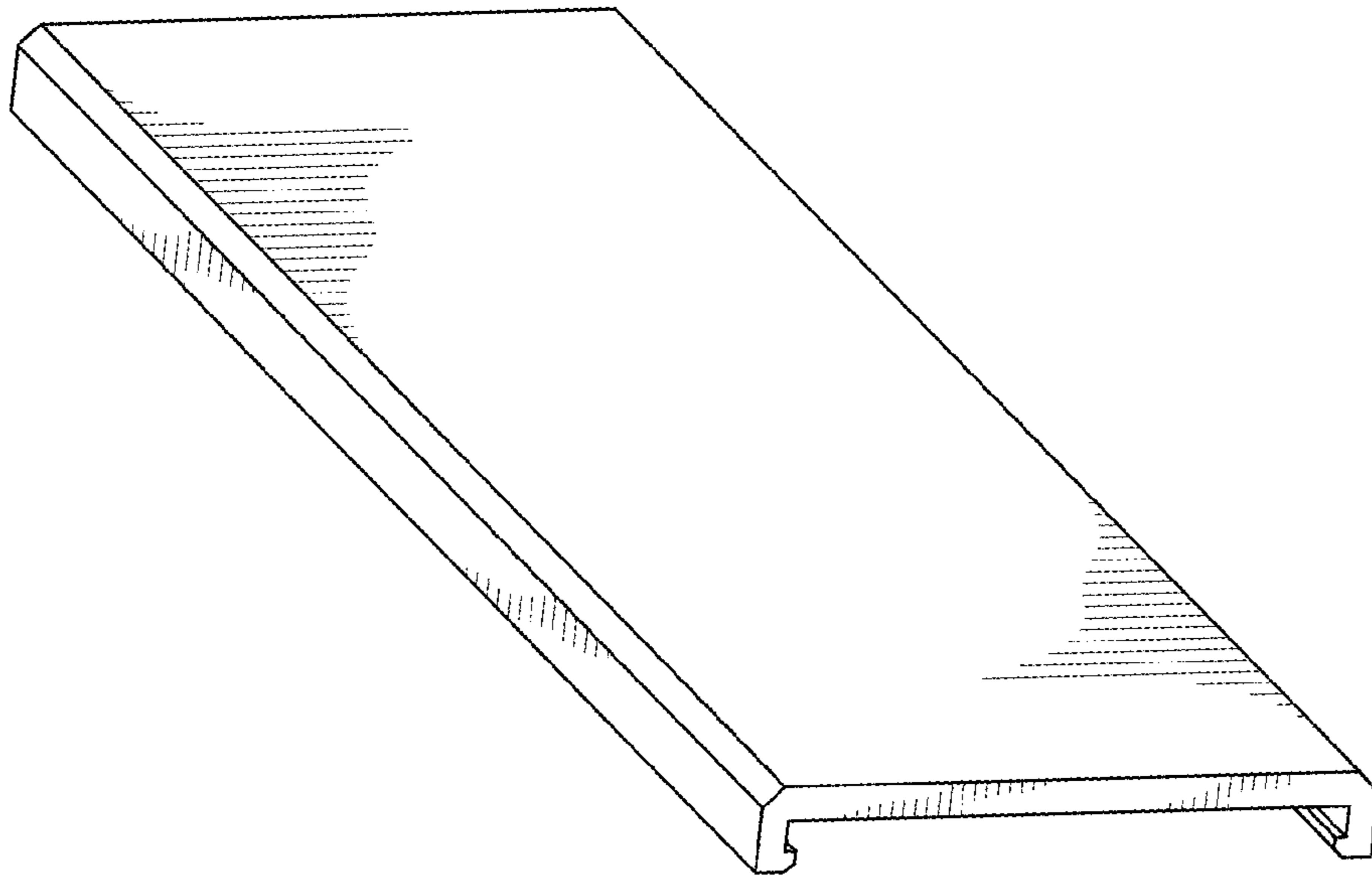


FIG. 7

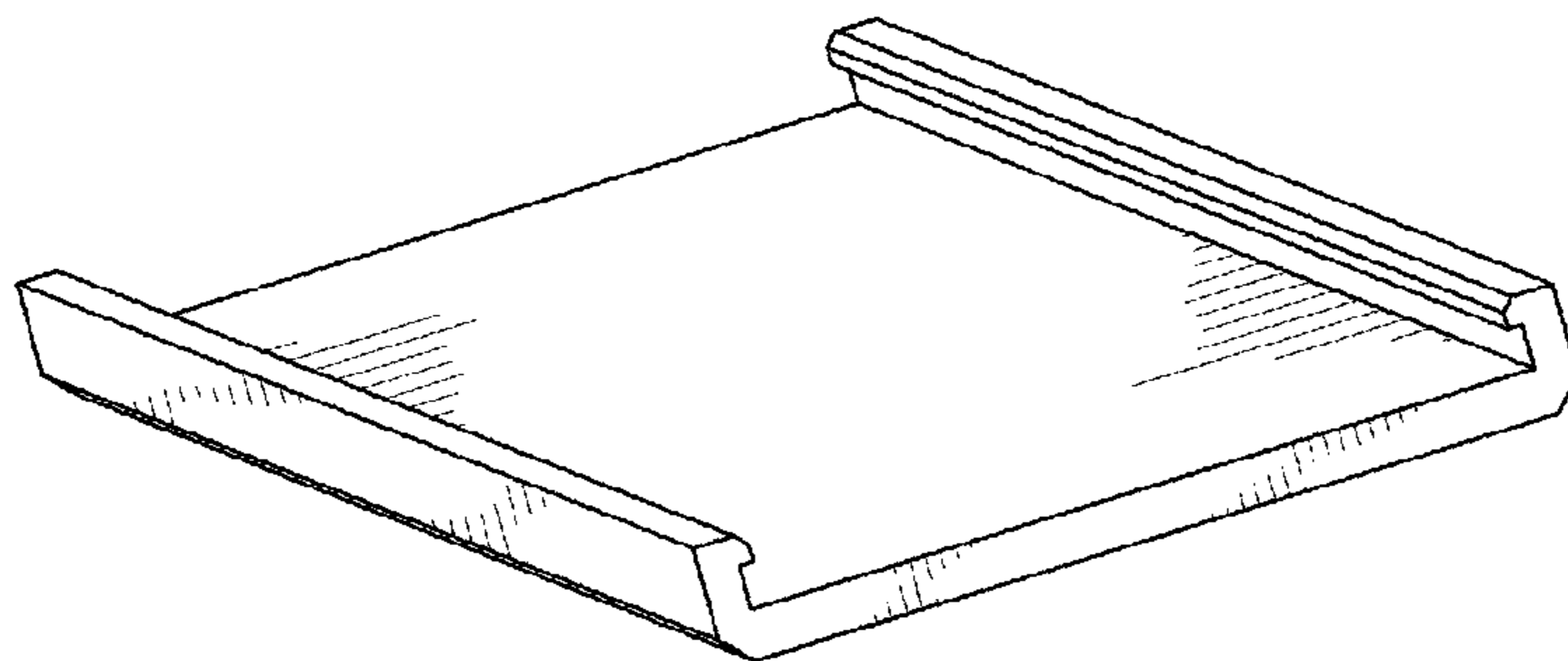


FIG. 8

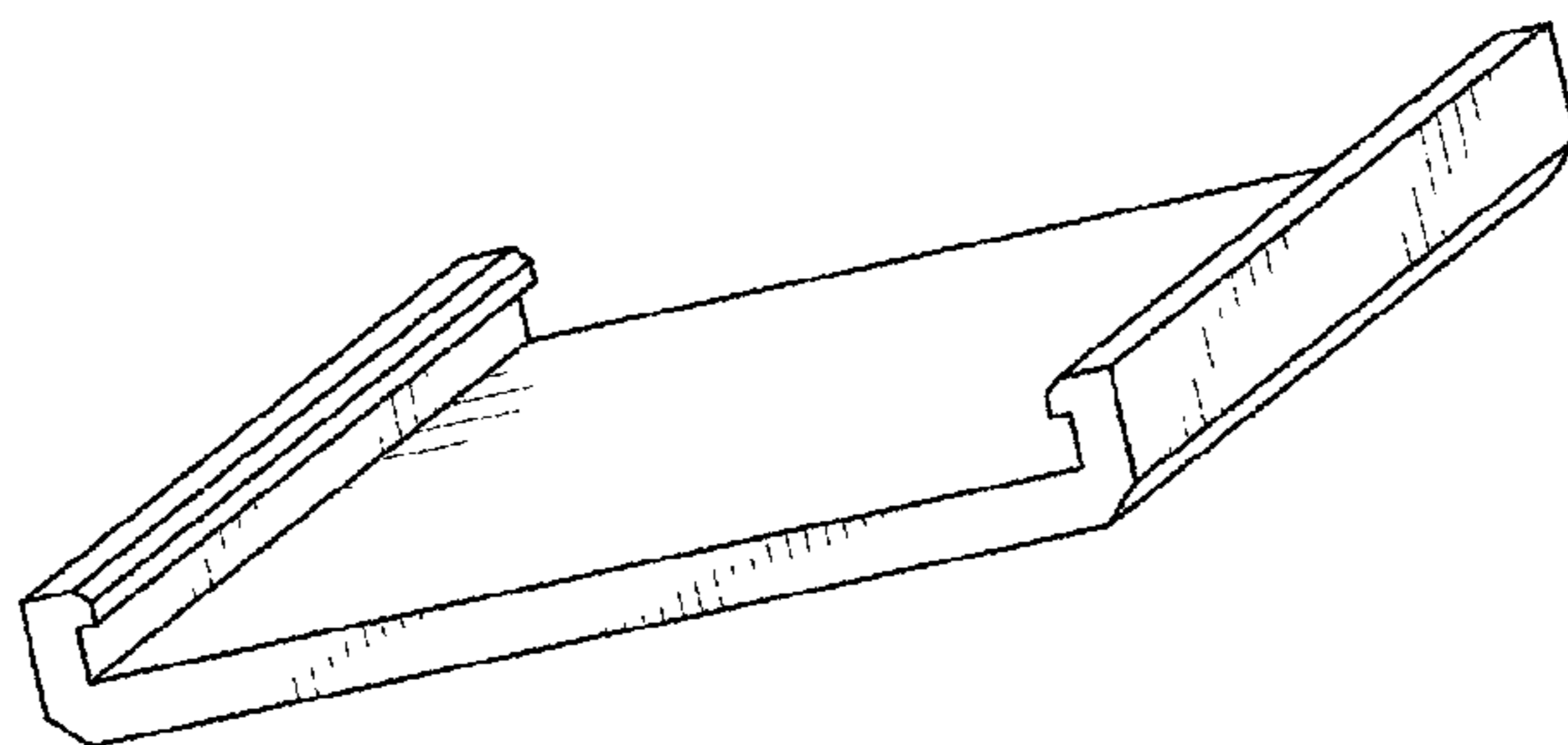


FIG. 9